

RCSL: 44-RT1111

pp: 1 : 10

Author: Knud E. Hansen

Edited: September 1975.

FDD 703
Floppy Disc Drive
Supplement to CDC 9400
Technical Manual

Keywords: Floppy Disc Drive

Abstracts: This paper contains the drawings of the
modifications made in the CDC 9400
Floppy Disc Drive.

A/S REGNECENTRALEN
FALKONER ALLE 1,
2000 KØBENHAVN F.

CONTENTS

SECTION

SHORT DESCRIPTION	1.0
WRITE PROTECTION	2.0
DELAY MODIFICATION	3.0

This paper contains description and drawings for modifications to CDC Floppy Disc Drive. This paper is a supplement to the Technical Manual for CDC 9400, Publication No. CDC 75735100.

Two modifications are carried out:

1. Mounting of a WRITE PROtection switch/lamp function.
2. Decreasing of the time delay from Write Enable on to Erase on and the delay from Write Enable off to Erase off.

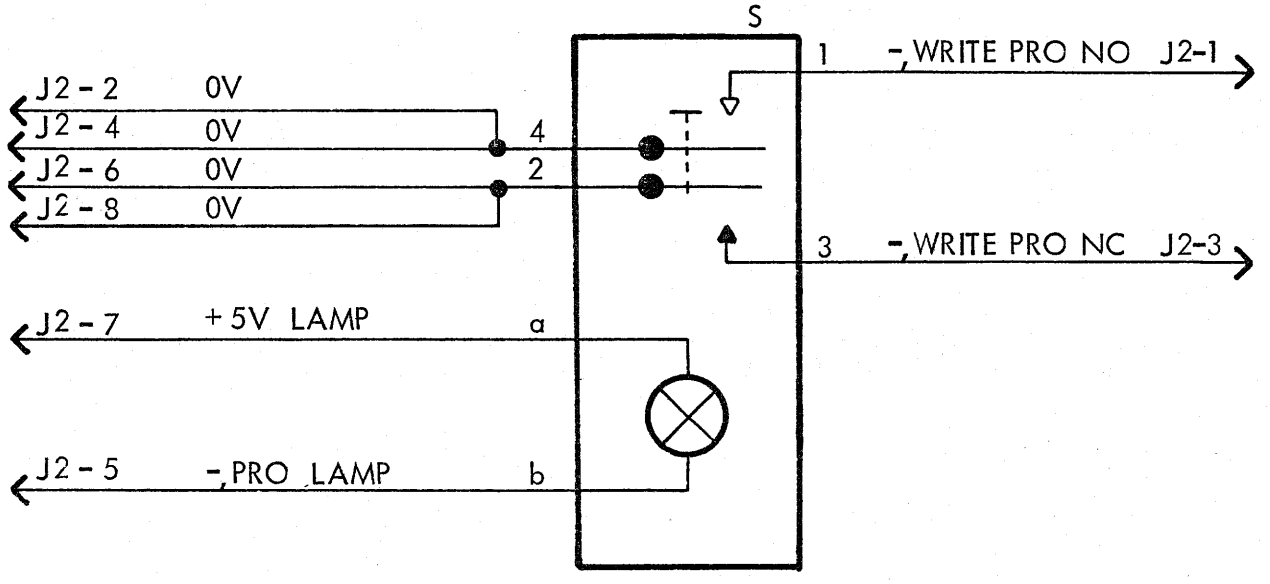
For details refer to page 4 and 5.

On page 4 is shown the logic diagram for the WRITE PROtection switch/lamp.

On page 5 is shown the physical position of the WRITE PROtection switch/lamp.

For details refer to page 6 and 7.

The two capacitors C13 and C12 are changed from 1 uF. to 10 nF.



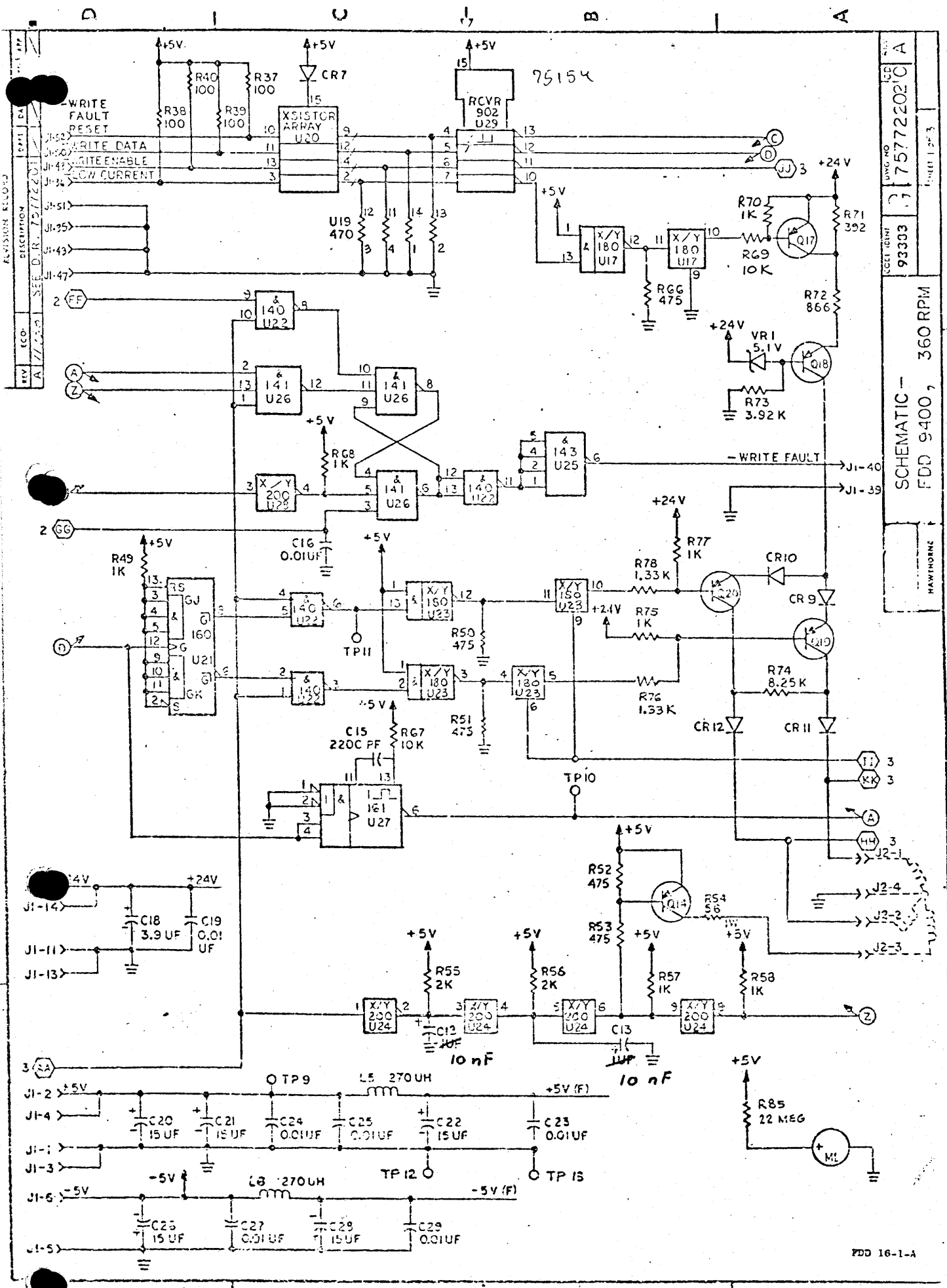
S: EAO Switch/lamp (01 - 121)

J2: JACK CANNON DEC 9 - S

RT1111

WRITE PROTECTION
SWITCH / LAMP

Circuit Diagram



REV	ECO	DESCRIPTION
1	A	75772202

75772202
 93303
 SCHEMATIC -
 FDD 9400, 360 RPM
 MANUFACTURING

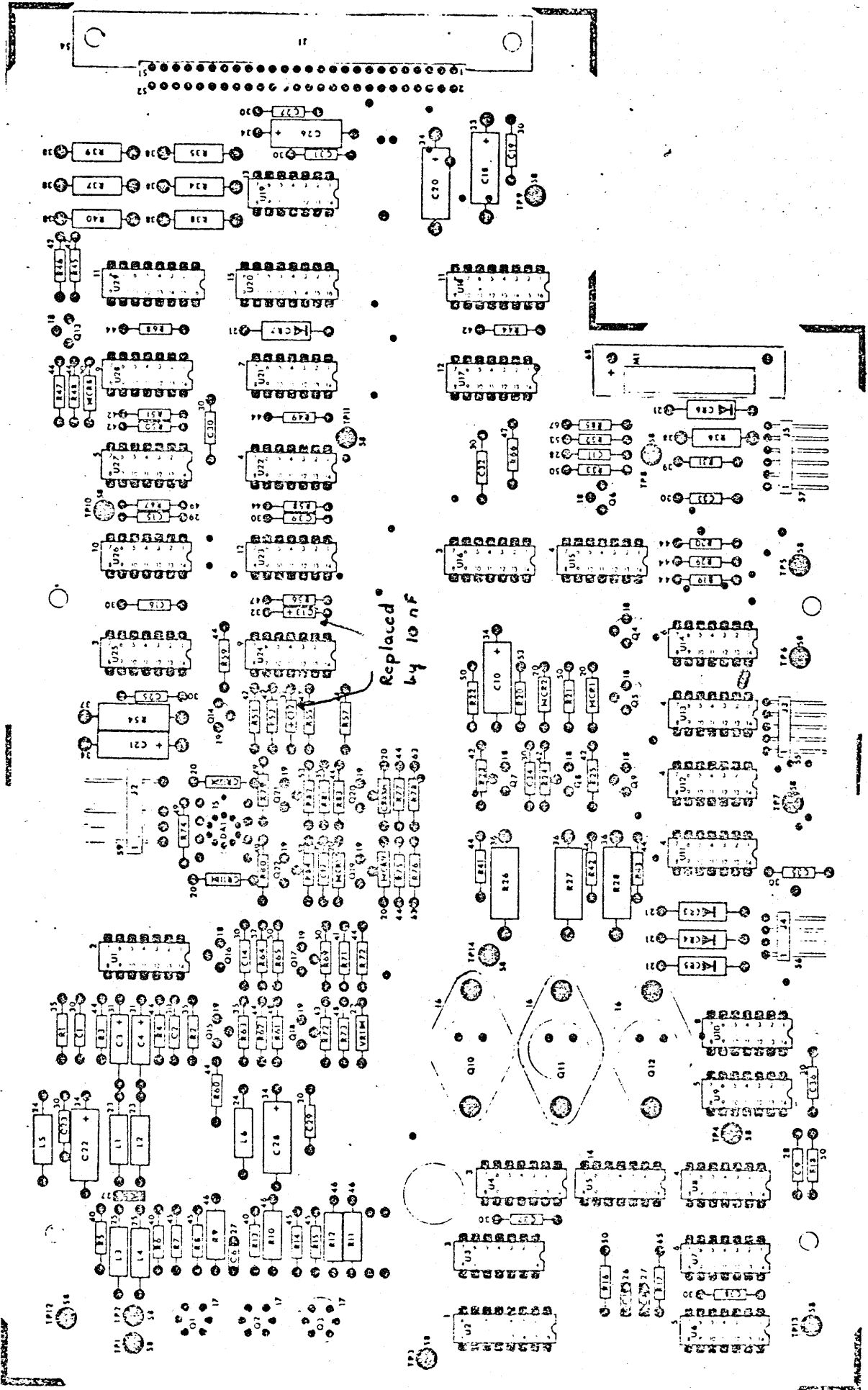
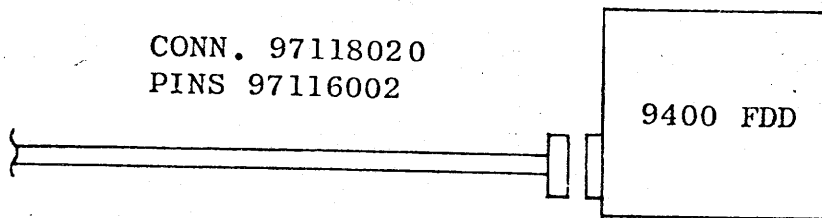


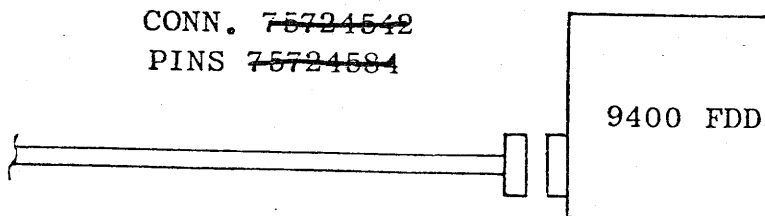
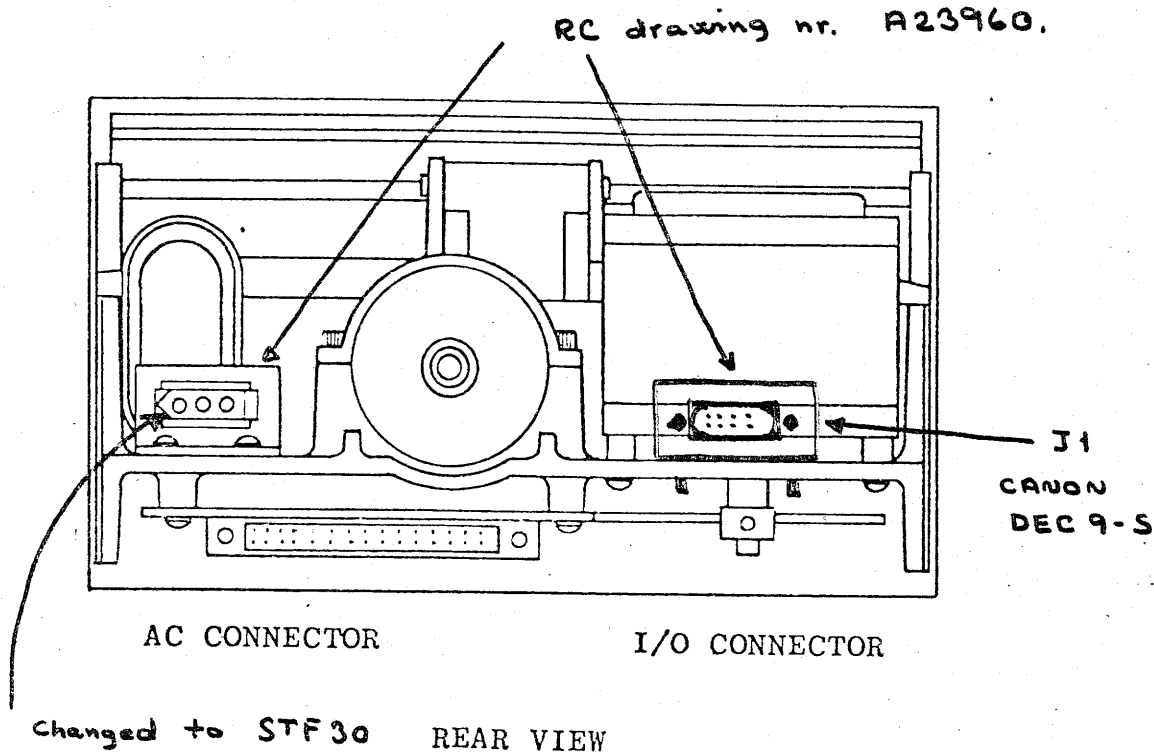
Figure 8-3. Component Board Assembly

FDD 015-A

75735100 A



I/O CABLE ASSEMBLY



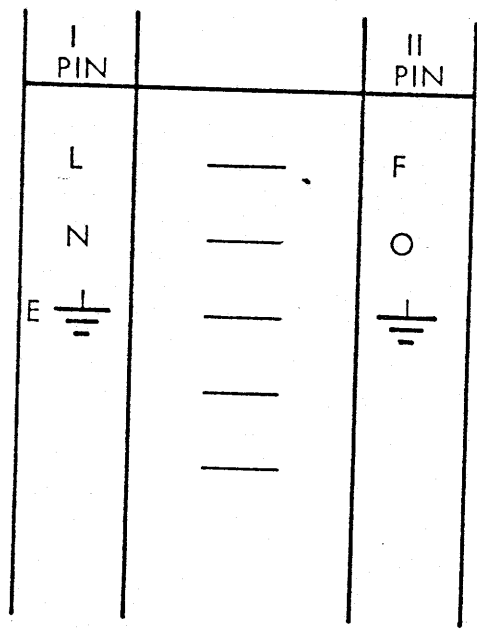
AC CABLE ASSEMBLY

FDD 004-A

Figure 3-2. Cable Connections

75735100 A

Connector I : SOCKET, 220V 6A w.gnd.
 Connector II : PLUG, 220V 6A w.gnd.
 Cable : 3 x 0.75mm²
 Length : 5m



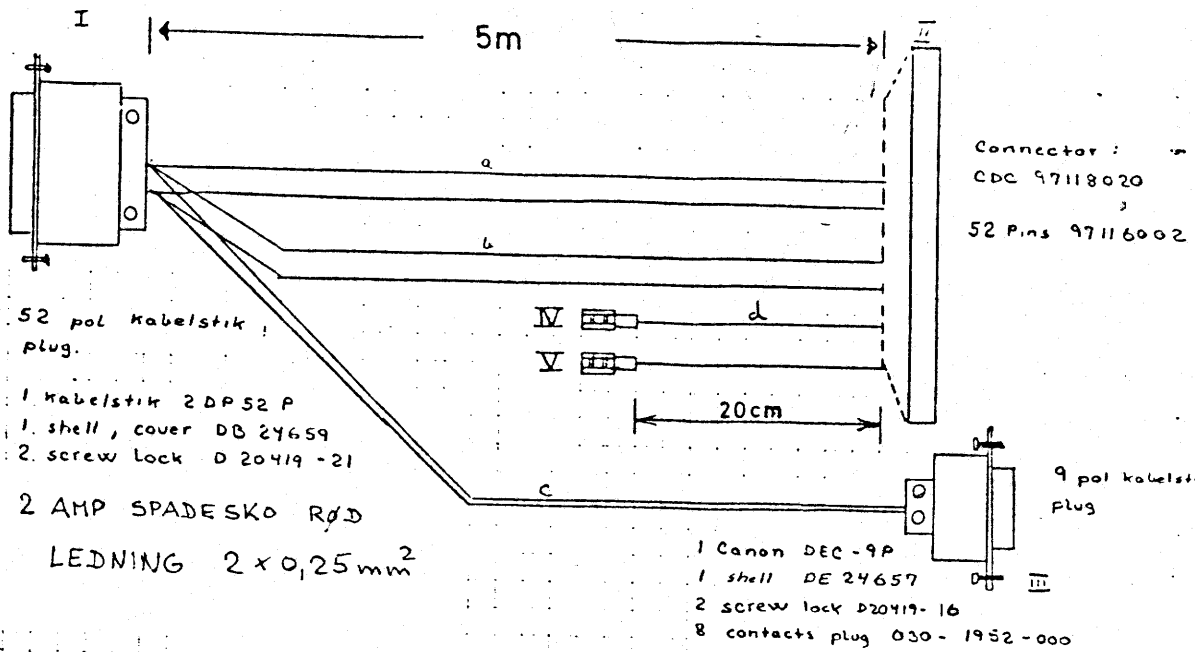
730108 JAK 7405 AOB

RCSL: 44-RT 732-081

CBL 081

R21169

HC



52 pol kabelstik
plug.

- 1 kabelstik 2 DP 52 P
- 1 shell, cover DB 24659
- 2 screw lock D 20419-21

2 AMP SPADESKO RØD
LEDNING 2 x 0,25 mm²

- 1 Canon DEC-9P
- 1 shell DE 24657
- 2 screw lock D20419-16
- 8 contacts plug 030-1952-000

I	a	II
1		46
2		45
3		44
4		43
5		26
6		25
7		52
8		51
9		48
10		47
11		50
12		49
13		36
14		35
15		32
16		31
17		28
18		27
19		20
20		19
21		40
22		39
23		20
24		19

I	b	II
22		2
21		1
20		2
19		1
18		4
36		3
37		4
38		3
39		6
40		5
41		6
42		5
51		16
52		15

I	c	III
32		1
31		2
28		3
27		4
26		5
25		6
24		7
23		8

II	d	IV
11	0V	IV
13	0V	IV
12	+24V	V
14	+24V	V

13.10.76

SIGNALKABEL MELLEME
FDC 703 06 FDD 703.

CBL 256	
---------	--

R 21170

RC doc: VB 139

A/S REGNENCENTRALEN

Designed by
760304 JEMI

Drawn by
761209 ERC

Dwg. Office Check

Design Check

Replaces Dwg. No.

due to ECN

Replaced by Dwg. No.

CBL 081

POW 723

FDD 703-J1

FDD 703

FDD 703-J2

CBL 081

CBL 256

CHS 701

FDC 703-J1

PDP702-J4

PDP 702-J4

PDP 702

Unit SWG

21171

Dwg. No.

44-RT-733-94

FDD 703 FLEXIBLE DISC DRIVE CONNECTED TO
FDC 703 CONTROLLER
INTERCONNECTION DIAGRAM

p1 of 1

RC doc: VB 13

A/S REGNECENTRALEN

Designed by

770222 JEMI

Drawn by

Dwg. Office Check

Design Check

Replaces Dwg. No.

due to ECN

Replaced by Dwg. No.

Refer to Control Data 9400
Flexible Disc Drive, Technical Manual
Section VI

Unit

Dwg. No.

R 21077

MAINTENANCE
FLEXIBLE DISC DRIVE