

RCSL : 44-RT 720

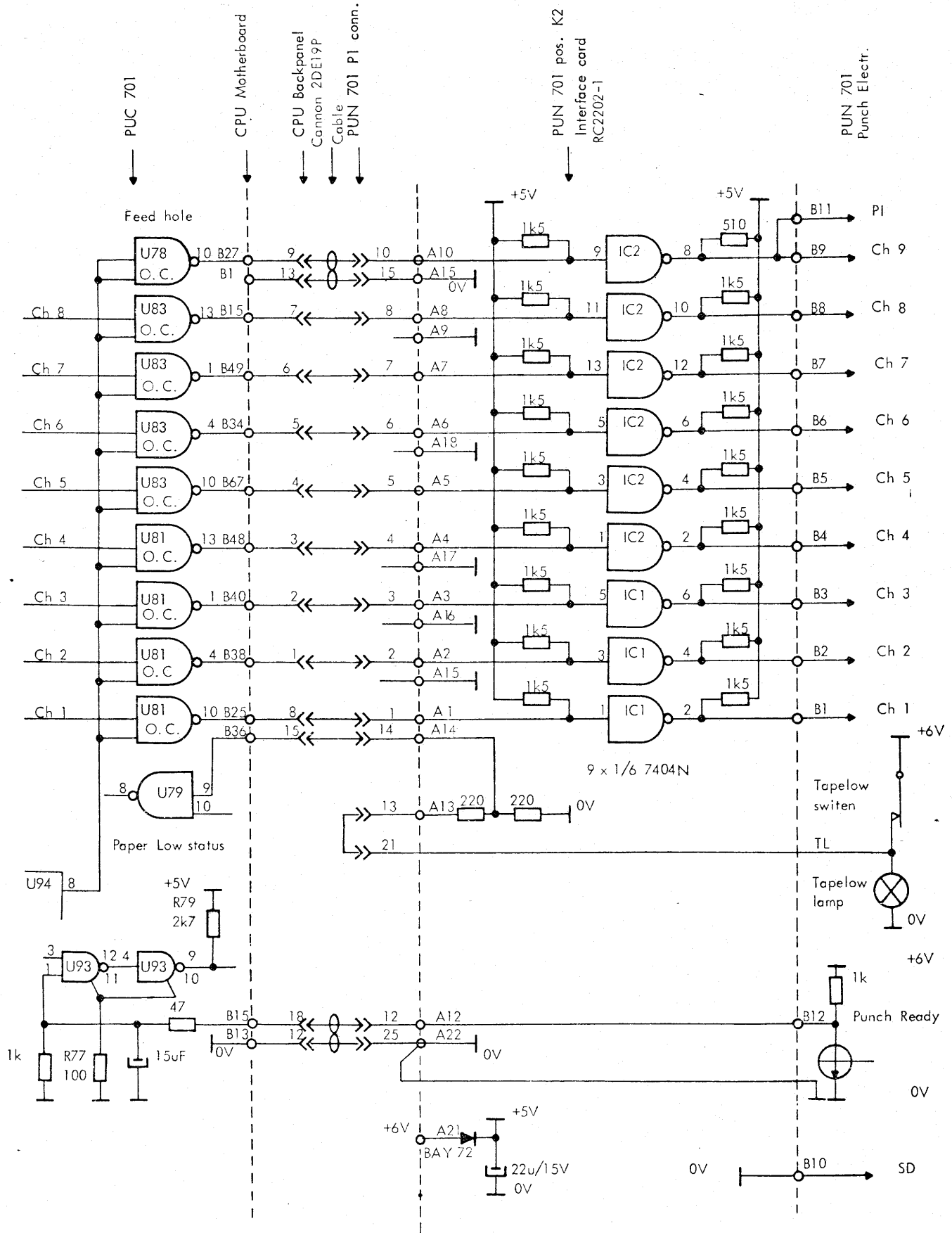
Author : Jens Falkenberg
Andersen

Edited : 16/8 - 73

PUN 701 Paper Tape Punch
Supplement to the Facit 4070 Manual

Keywords : Paper Tape Punch, PUN 701

Abstract : This paper contain the drawings of the interface board in
the Facit 4070 punch.



220672ML
220672FBP

Interface Card, Cable Wiring