
RCSL No: 42-i2038

Edition: May 1982

Author: Mogens V. Pedersen

Title:

RC862,006 and RC867,006
National Versions

Keywords:

RC800, RC862,006, RC867,006, MPT 082, MPT 083, printer.

Abstract:

This paper contains a description of the national versions of the character set of the RC862,006 and the RC867,006 printers.

(8 printed pages)

Copyright © 1982, A/S Regnecentralen af 1979

RC Computer A/S

Printed by A/S Regnecentralen af 1979, Copenhagen

Users of this manual are cautioned that the specifications contained herein are subject to change by RC at any time without prior notice. RC is not responsible for typographical or arithmetic errors which may appear in this manual and shall not be responsible for any damages caused by reliance on any of the materials presented.

TABLE OF CONTENTS

PAGE

1. SWITCH SETTING 1

1. SWITCH SETTING

To get the wanted function of this printer the switchsetting must be done correctly.

The switches are placed on the Operation Panel Circuit Board as shown in fig. 1. To operate these switches the upper cover of the printer has to be removed.

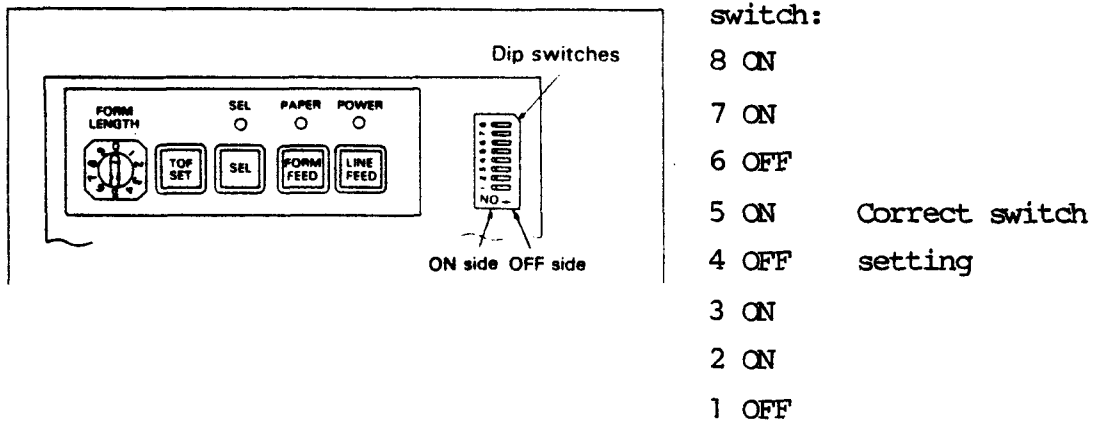


Figure 1: Operation panel board.

The alphabet used in this version is as shown:

!"#%&'()*+,-./0123456789:;[=] ?@ABCDEFGHIJKLMNO
 PQRSTUVWXYZ[^_`abcdefghijklmnopqrstuvwxyz{|}~"#\$

(

)

)

)

RETURN LETTER

Title: RC862,006 and RC867,006
National Versions

RCSL No.: 42-i2038

A/S Regnecentralen af 1979/RC Computer A/S maintains a continual effort to improve the quality and usefulness of its publications. To do this effectively we need user feedback, your critical evaluation of this manual.

Please comment on this manual's completeness, accuracy, organization, usability, and readability:

Do you find errors in this manual? If so, specify by page.

How can this manual be improved?

Other comments?

Name: _____ Title: _____

Company: _____

Address: _____


Date: _____

Thank you

..... **Fold here**

..... **Do not tear - Fold here and staple**

Affix
postage
here

 **REGNECENTRALEN**
af 1979
Information Department
Lautrupbjerg 1
DK-2750 Ballerup
Denmark