
Title:

TECHNICAL MANUAL
FOR OCP 306 / 703
POWER AND AUTOLOAD PANEL

 **REGNECENTRALEN**

RC SYSTEM LIBRARY: FALKONERALLE 1 DK-2000 COPENHAGEN F

RCSL No: 44-RT 1770
Edition: October 1978
Author: Karsten Friis

Keywords: RC3600, OCP, Autoload, Automatic system load.

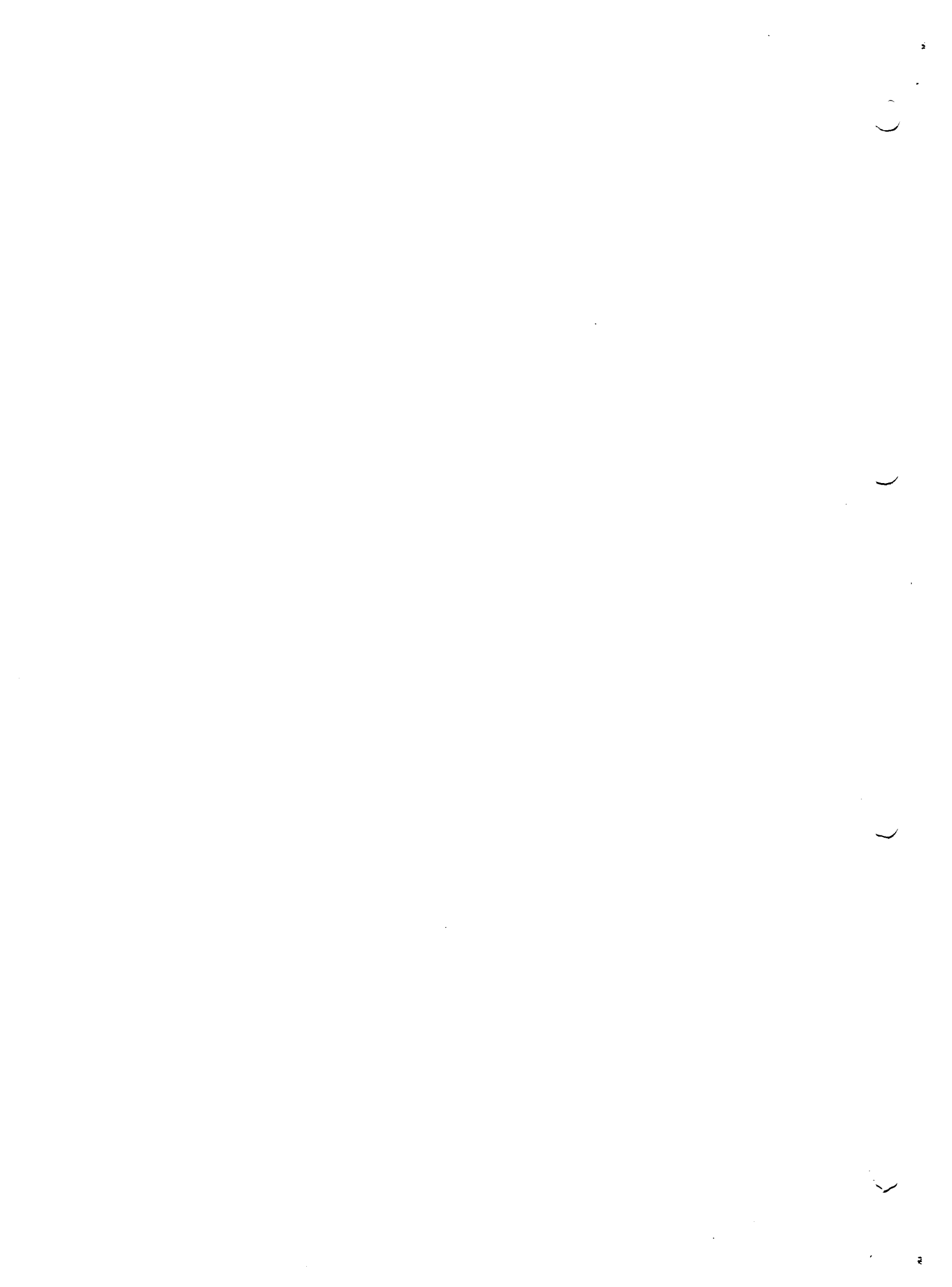
Abstract: This paper contains drawings for OCP 306 and OCP 703
OCP 703 has an additional lock-position for Autoload.

Copyright © A/S Regnecentralen, 1976
Printed by A/S Regnecentralen, Copenhagen

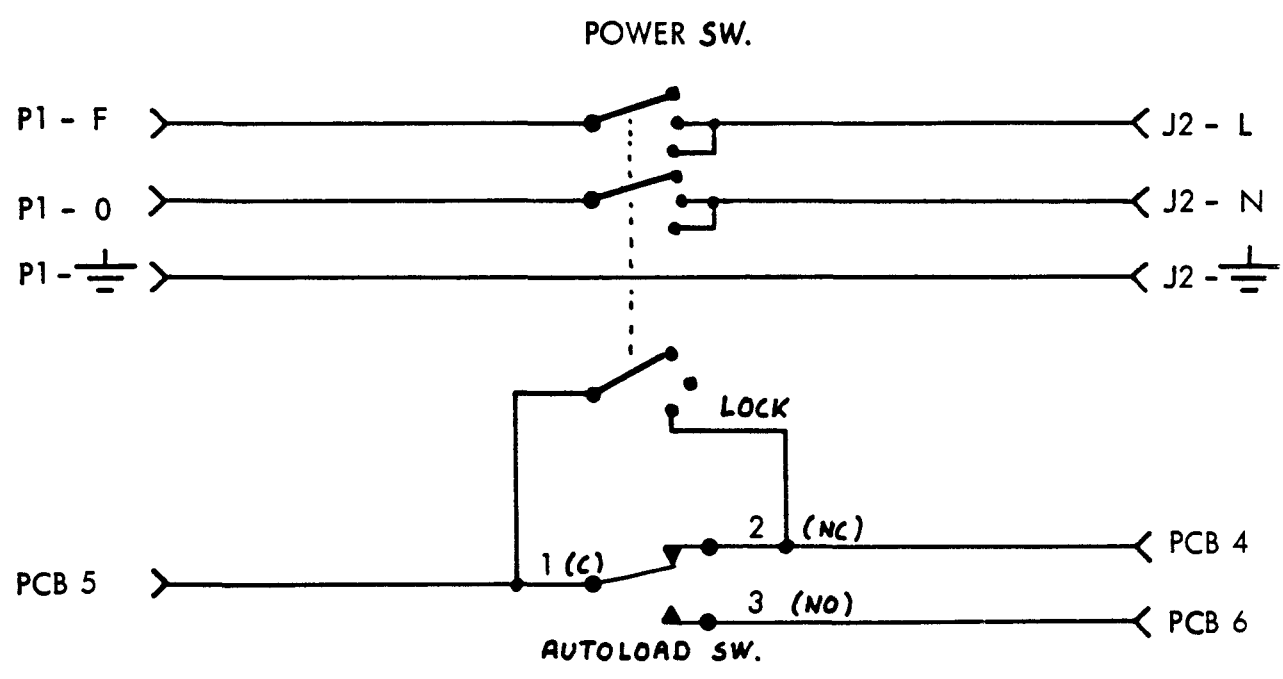
Users of this manual are cautioned that the specifications contained herein are subject to change by RC at any time without prior notice. RC is not responsible for typographical or arithmetic errors which may appear in this manual and shall not be responsible for any damages caused by reliance on any of the materials presented.

CONTENTS

Power and Autoload Panel	Dwg. No.	R 11810
Power and Autoload Switch	Dwg. No.	R 21091

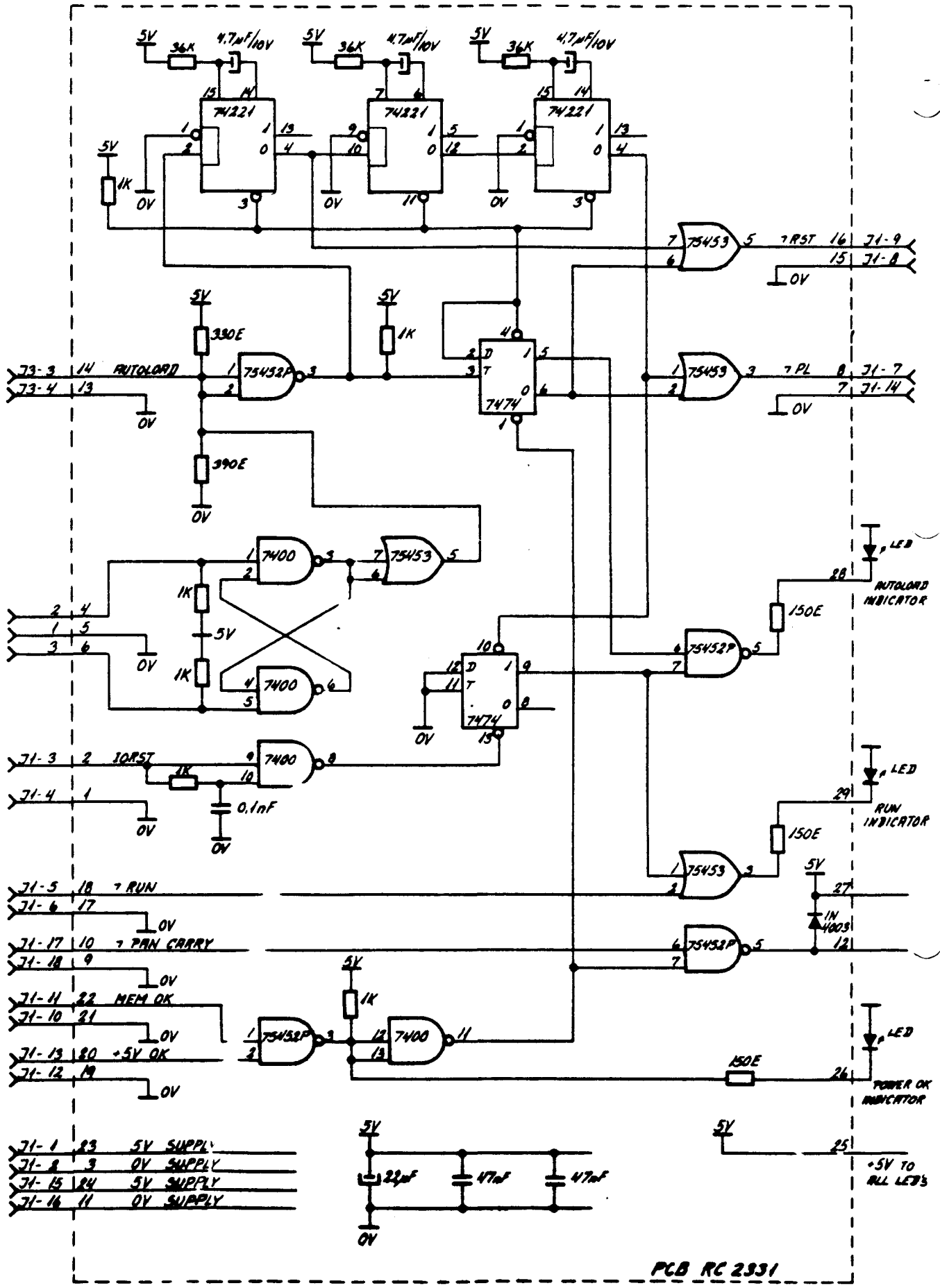


RC doc: VB	A/S REGNENCENTRALEN	Designed by	770309 KF
		Drawn by	
		Dwg. Office Check	Design Check
		Replaces Dwg. No.	due to ECN
		Replaced by Dwg. No.	



OCP 306 HAS NO LOCK POSITION

Unit	OCP 306/703	POWER SWITCH and AUTOLOAD SWITCH	OCP.2
Dwg. No.	R 21091		



770225 A.F. 770225 AOB

OCP 306/703

POWER AND AUTOLOAD PANEL

OCP 1

R 11810

1

2

3

4

5

5

2

3

4