

RCSL : 44-RT 761

Date : : September 1974

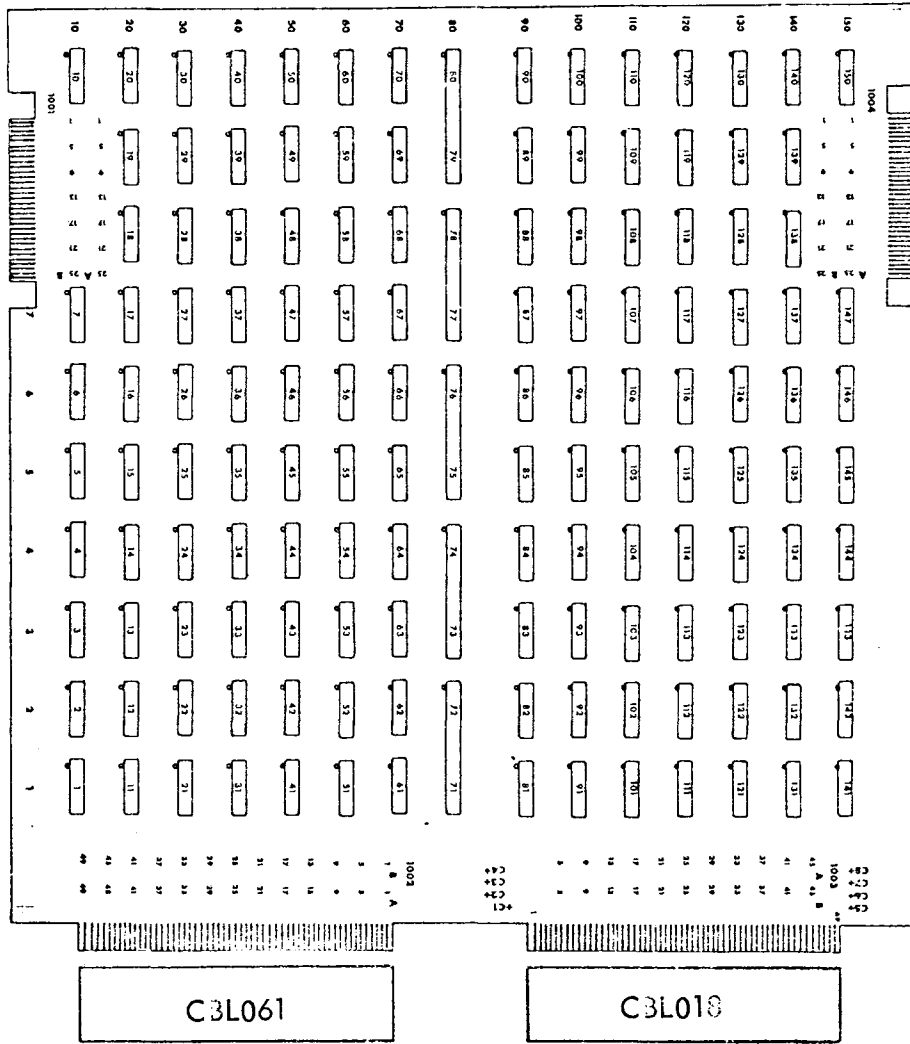
Author : Uffe Larsen

DRAWINGS FOR
DCC 701

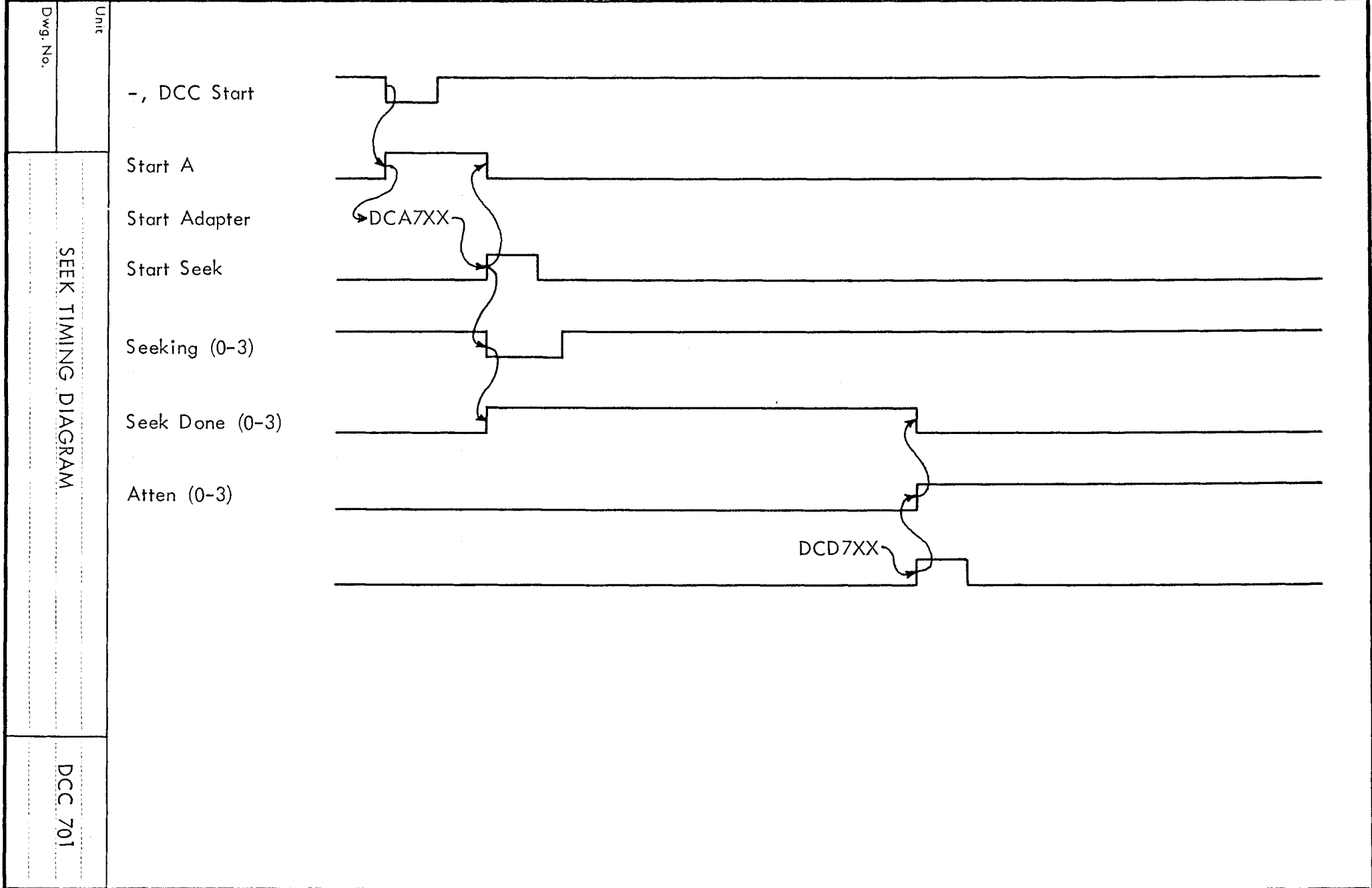
Keywords: CHS 701, Disk cartridge controller.

Abstract: Drawings for the disk cartridge controller DCC 701 which are used with DCD 701 and DCA 701.

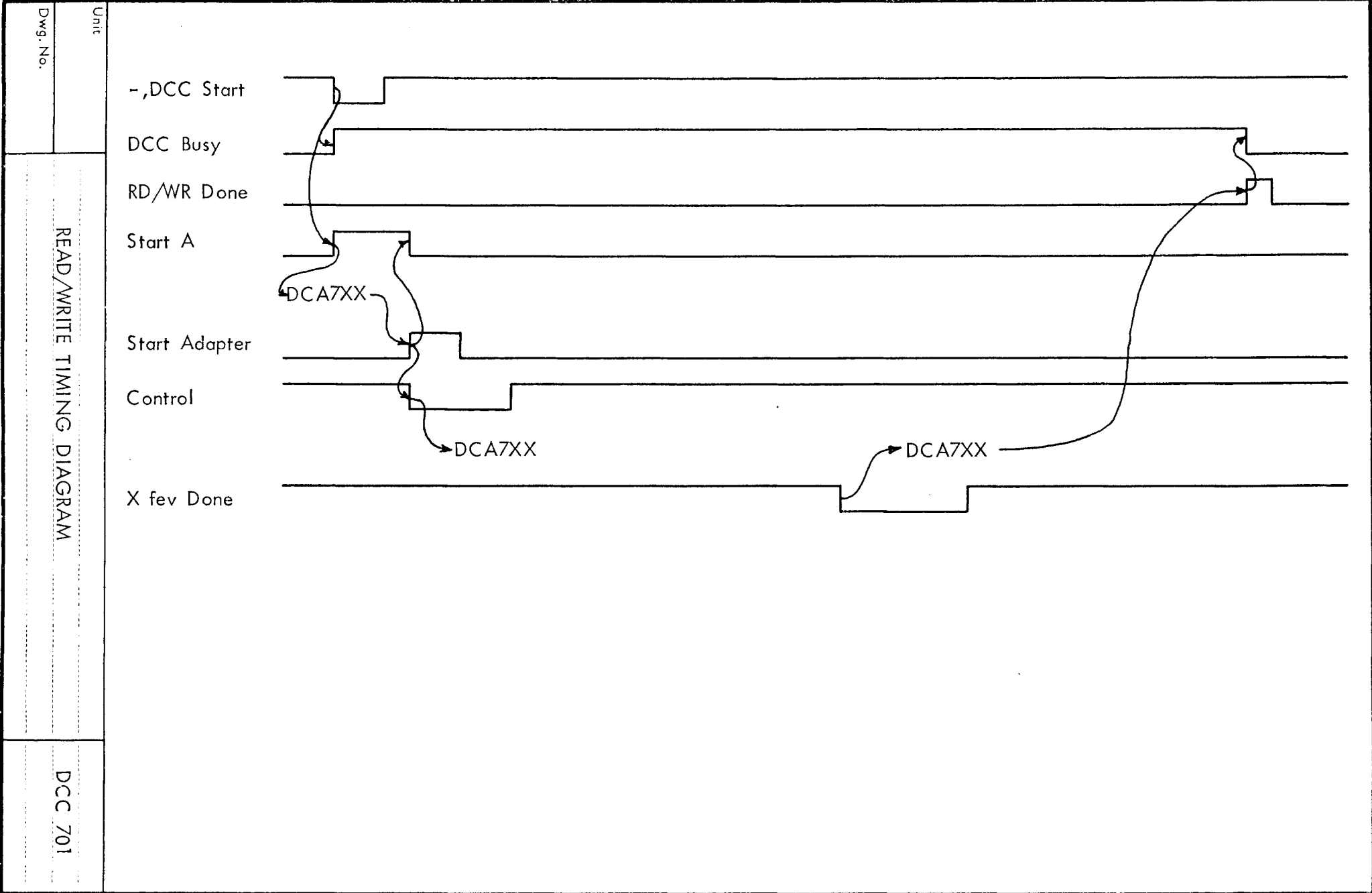
<u>CONTENT</u>	<u>PAGE</u>
Assembly Drawing	1
Timing diagrams	2
Logic drawings	4



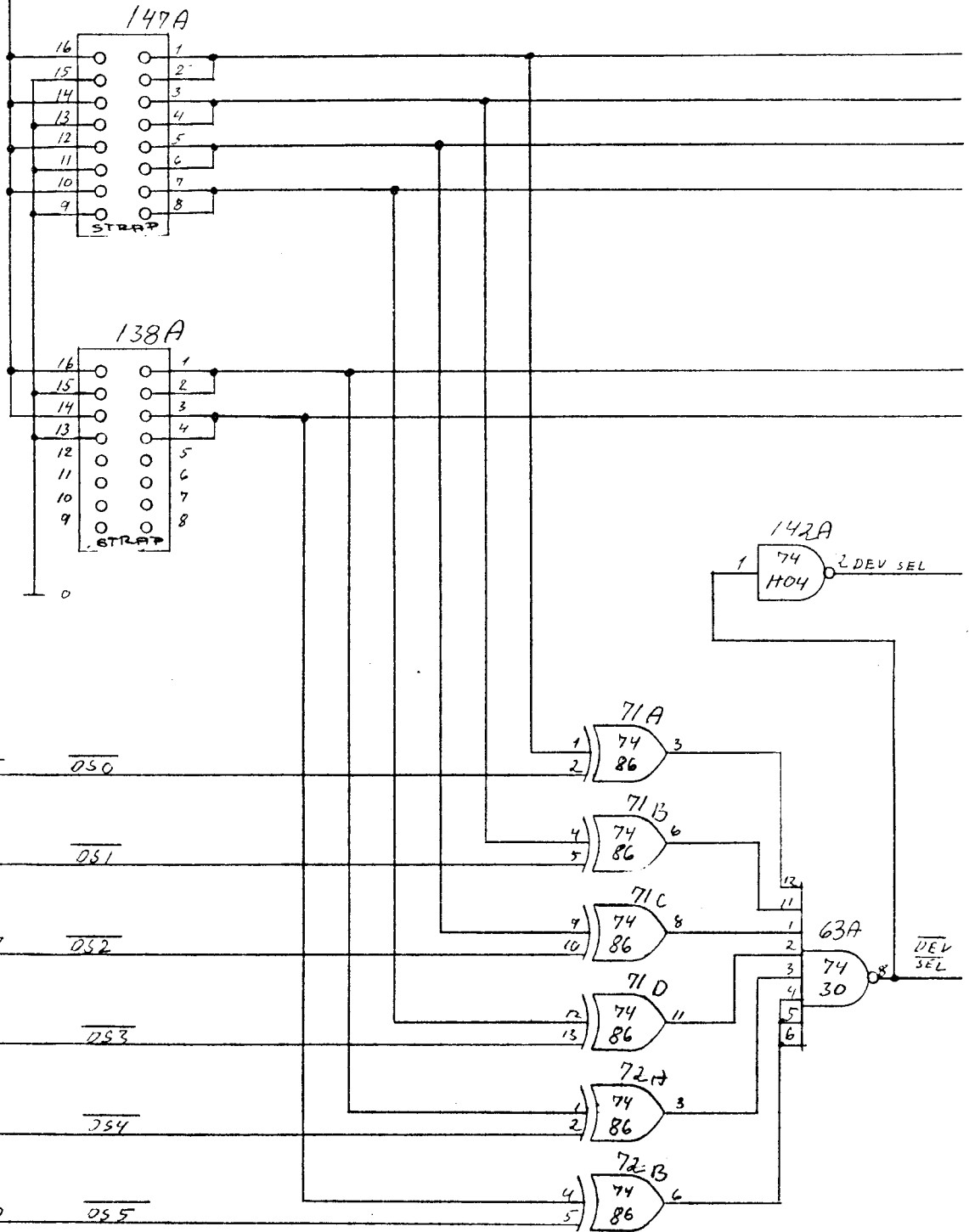
A/S REGNECENTRALEN	Designed by 741009 UFL	Drawn by 741009 AOB	Dwg. Office Check	Design Check	Replaces Dwg. No.	due to ECN	Replaced by Dwg. No.
---------------------------	---------------------------	------------------------	-------------------	--------------	-------------------	------------	----------------------



A/S REGNECENTRALEN	Designed by 741009 UFL	Drawn by 741009 AOB	Dwg. Office Check	Design Check	Replaces Dwg. No.	due to ECN	Replaced by Dwg. No.
---------------------------	---------------------------	------------------------	-------------------	--------------	-------------------	------------	----------------------



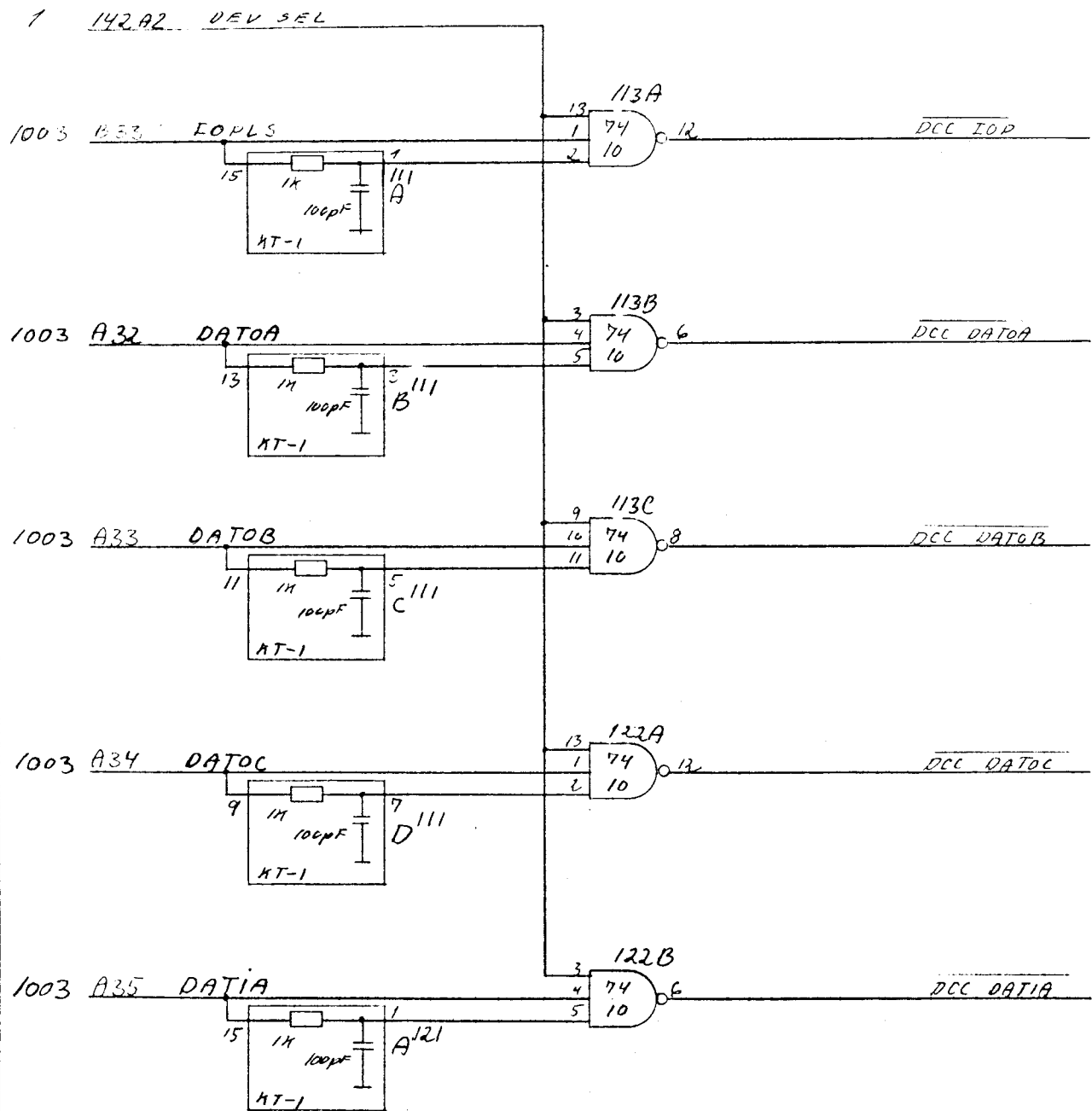
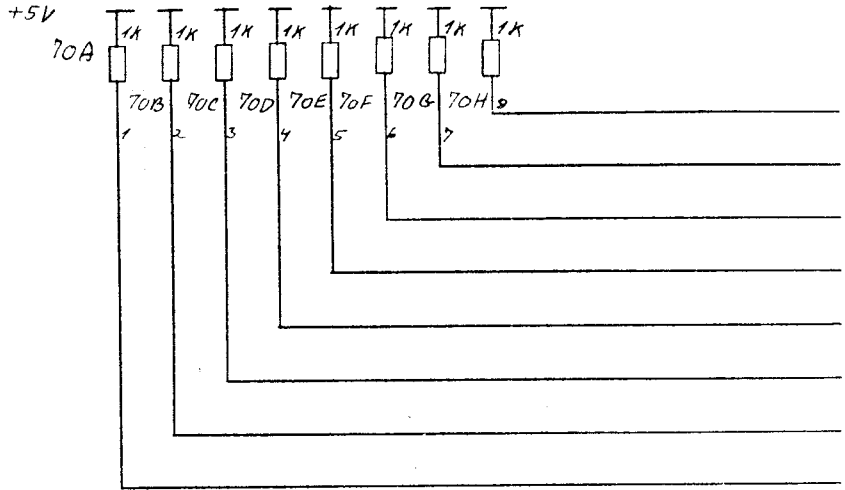
2 7003 logic "11"



- 1003 A5 050
- 1003 A6 051
- 1003 A7 052
- 1003 A8 053
- 1003 A9 054
- 1003 A10 055

Replaced by Dwg. No. due to ECN Replaces Dwg. No. Design Check Dwg. Office Check Drawn by Designed by *MFL* *mar/5* 74
A/S REGNENTRALEN

Unit DCL 701	Device selection	DCL 701
Dwg. No. R 10807		01



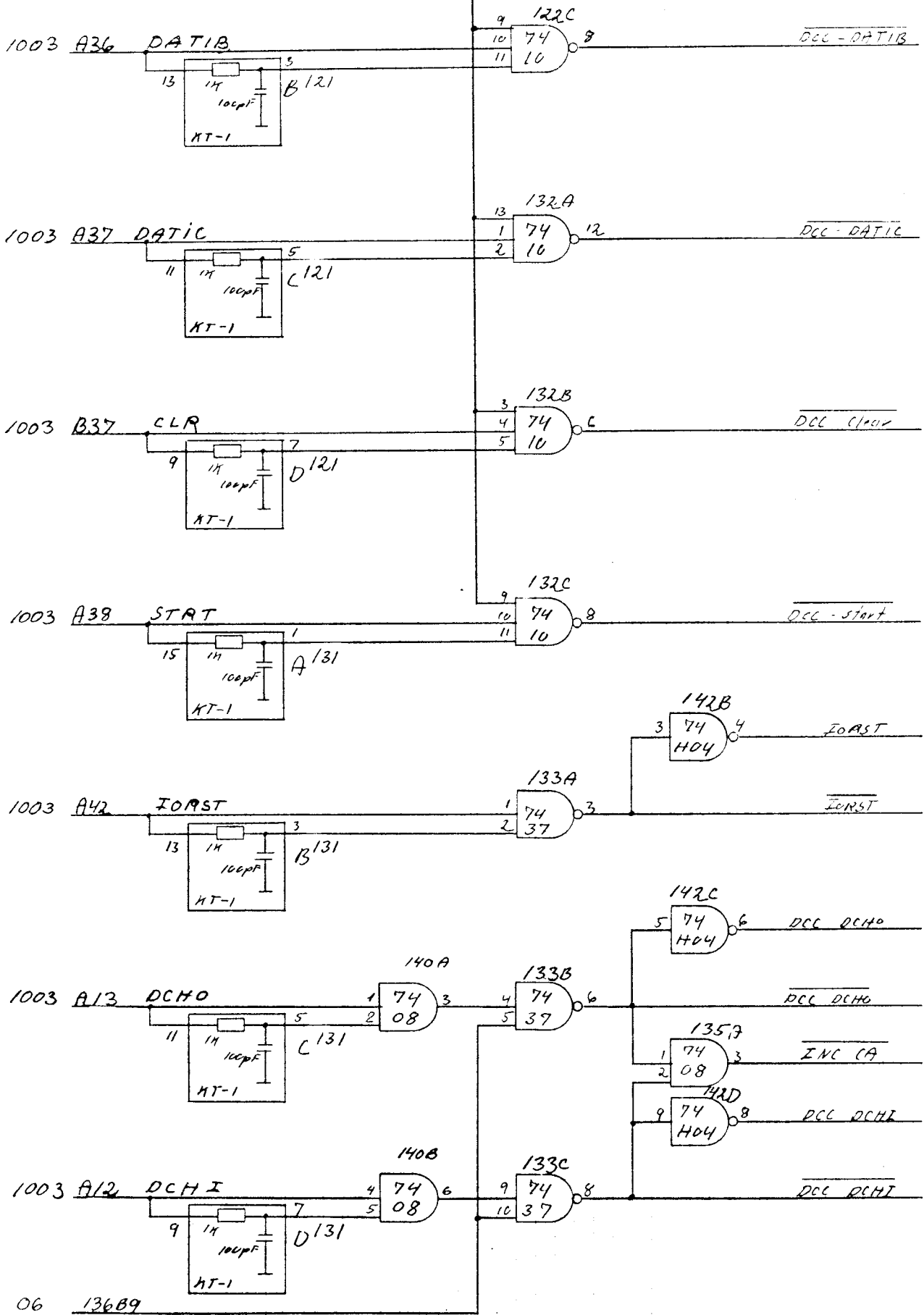
Replaced by Dwg. No. due to ECN Replaces Dwg. No. Design Check Dwg. Office Check Drawn by Mark's 74 Designed by JFL

Unit DCC701
Dwg. No. R1080X

I/O

DCC701
02

1 142A2 D+V SEL



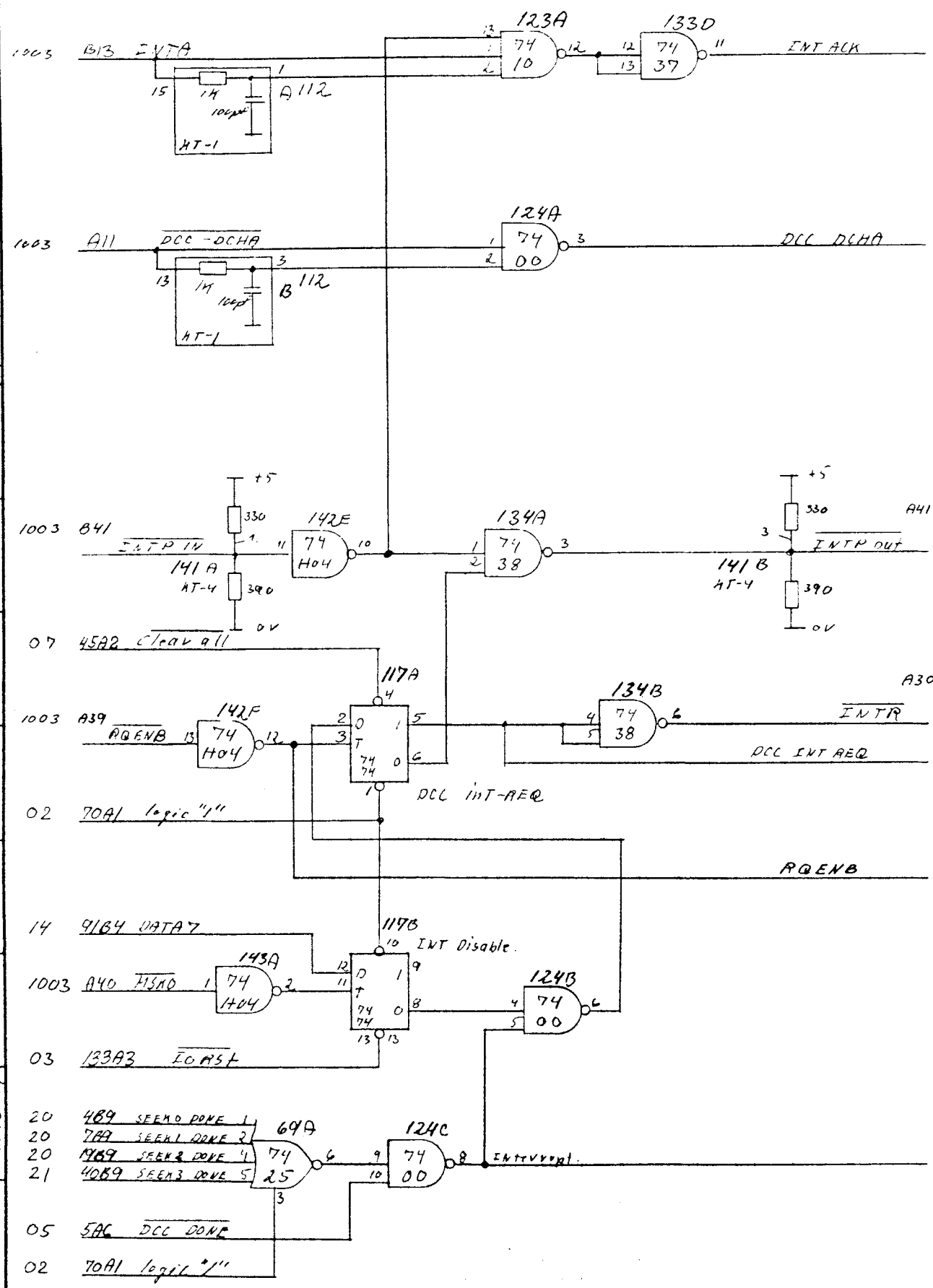
Unit
DCC 701
Dwg. No.
R10809

I/O

DCC 701
03

Replaced by Dwg. No. _____
 due to ECN _____
 Replaces Dwg. No. _____
 Design Check _____
 Dwg. Office Check _____
 Drawn by MEH
 Marks TH
 Designed by MEH
 Marks TH
 A/S REGNENTRALEN

RC doc: V8 140



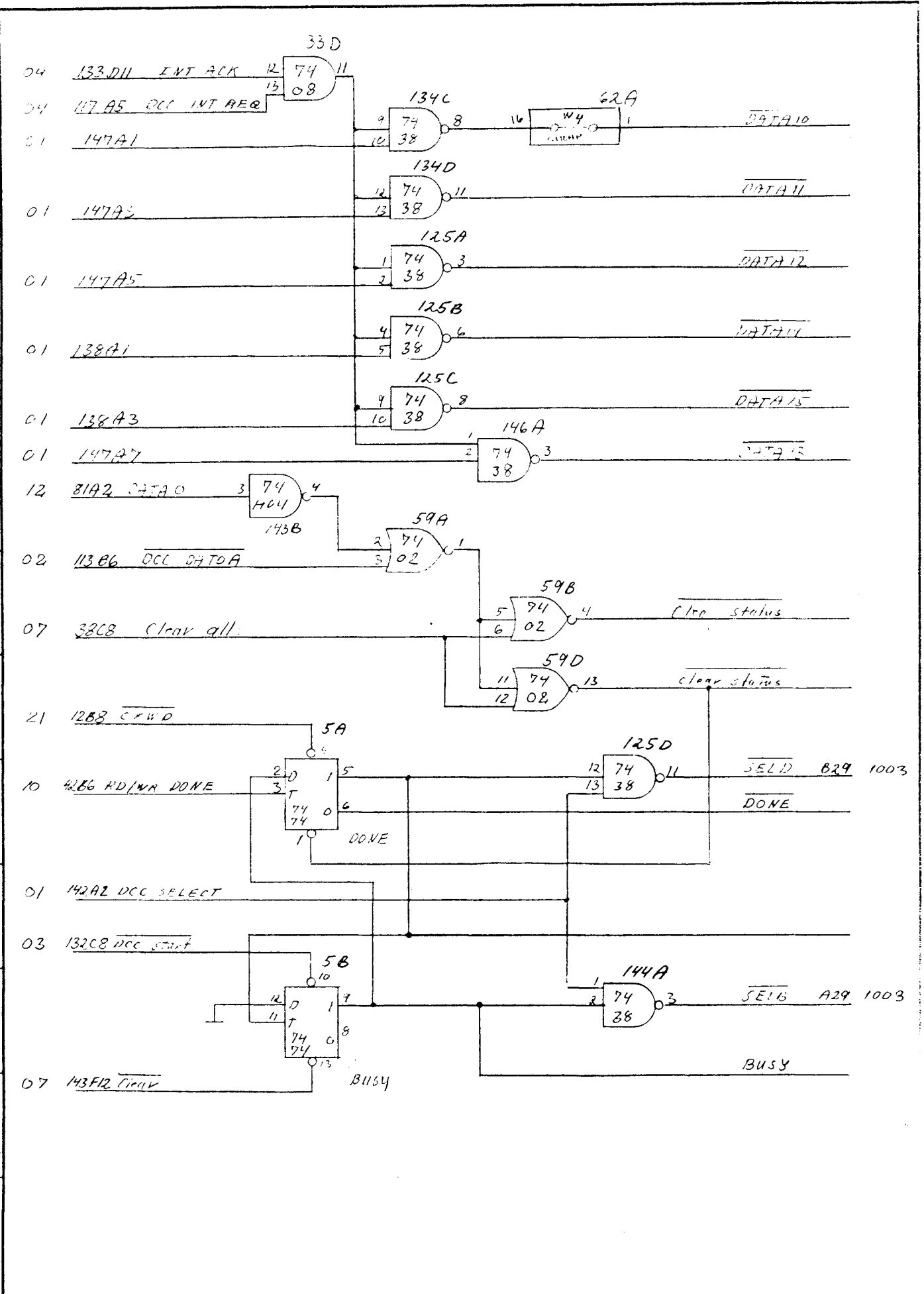
Replaced by Dwg. No. due to ECN Replaces Dwg. No. Design Check Dwg. Office Check Drawn by Designed by
 A/S REGNENCENTRALEN
 14/15 74

Unit
 DCC 701
 Dwg. No.
 R 10810

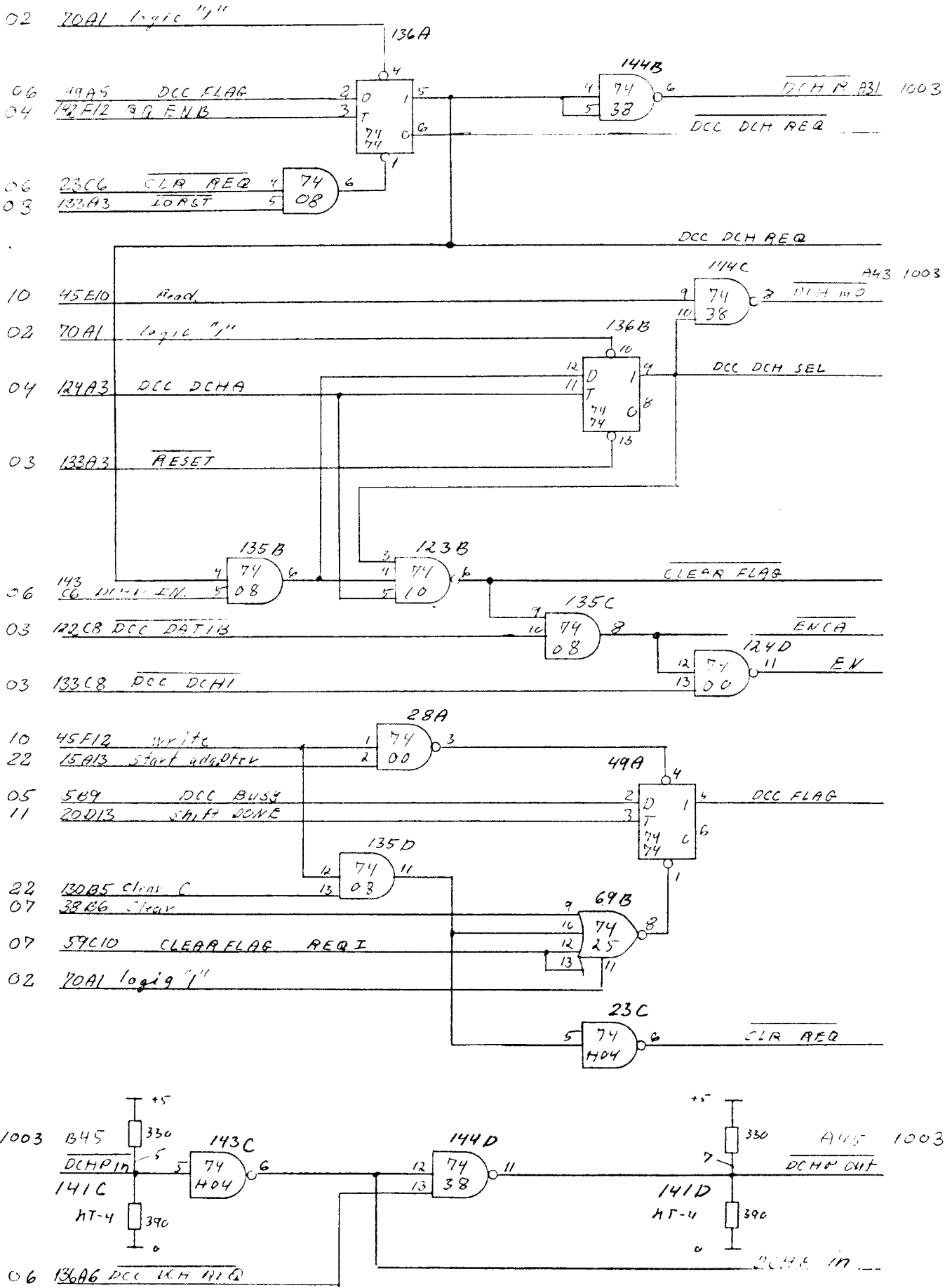
I/O and Interrupt logic

DCC 701
 04

Replaced by Dwg. No. _____
 due to ECN _____
 Replaces Dwg. No. _____
 Design Check _____
 Dwg. Office Check _____
 Drawn by _____
 Designed by *W. J. M. M. M.*
A/S REGNENTRALEN



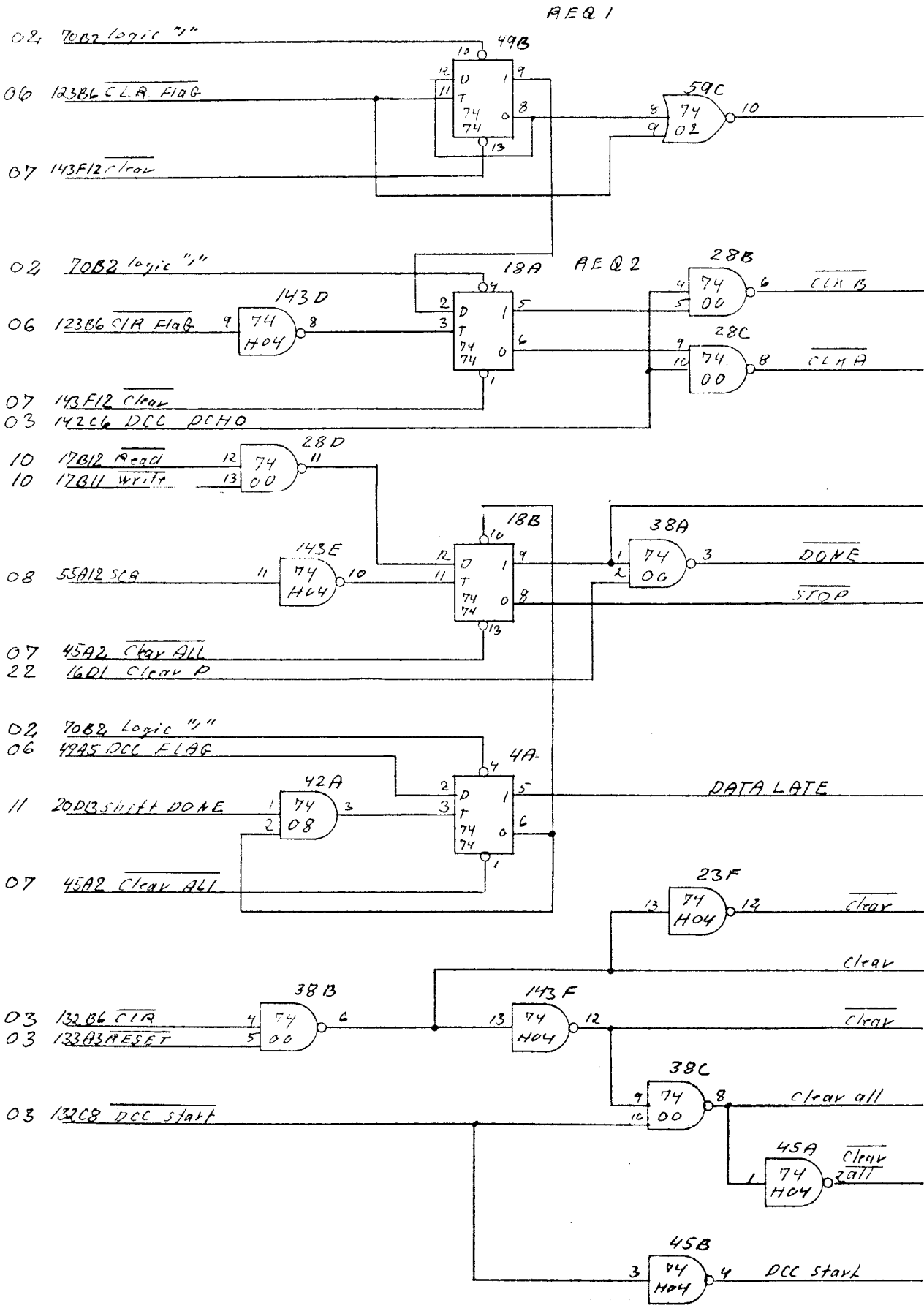
Unit	<i>DCC 701</i>	<i>I/O and Busy / Done logic</i>	<i>DCC 701</i> <i>0.5"</i>
Dwg. No.	<i>R10811</i>		
<i>330</i> <i>134C</i> <i>134D</i> <i>125A</i> <i>125B</i> <i>125C</i> <i>146A</i> <i>59A</i> <i>59B</i> <i>59D</i> <i>5A</i> <i>5B</i> <i>125D</i> <i>144A</i>			



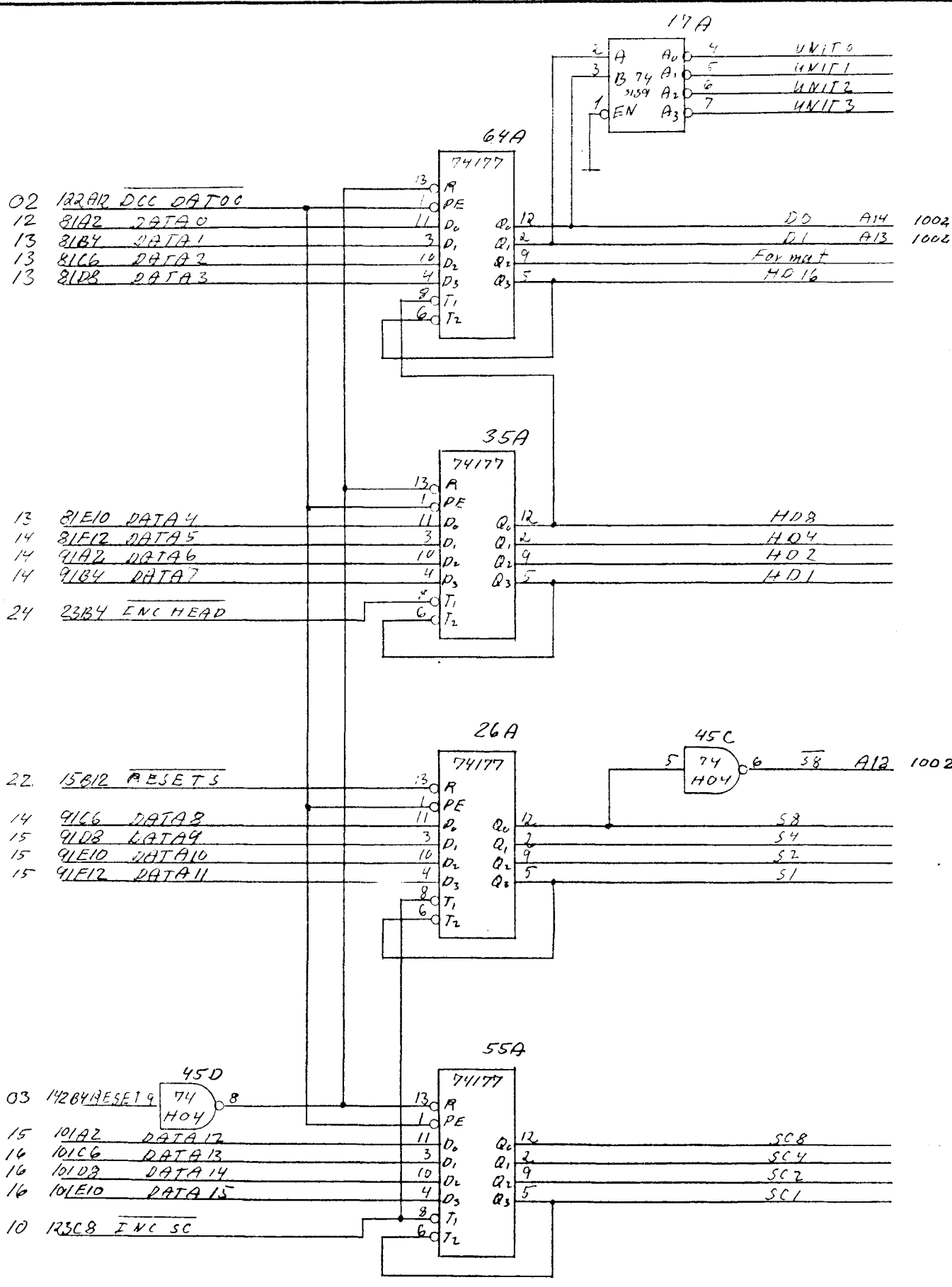
Replaced by Dwg. No. due to ECN Replaces Dwg. No. Design Check Dwg. Office Check Drawn by Designed by
 A/S REGNENTRALEN
 474
 MARYS 74
 R 10812

RC 00K VB 140

Replaced by Dwg. No. _____
 due to ECN _____
 Replaces Dwg. No. _____
 Design Check _____
 Dwg. Office Check _____
 Drawn by _____
 Designed by *HFL*
Martens 74
A/S REGNENCENTRALEN



Unit DCC 701	logic diagram	DCC 701 07
Dwg. No. A 10 813		

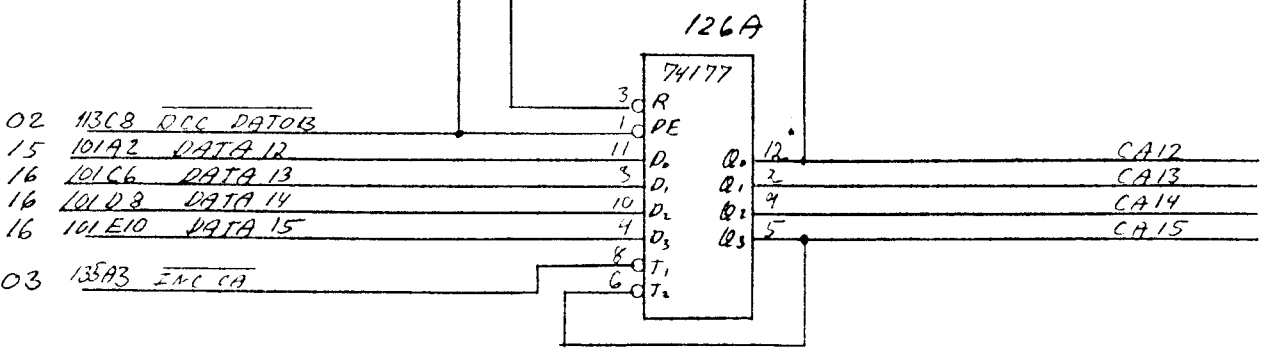
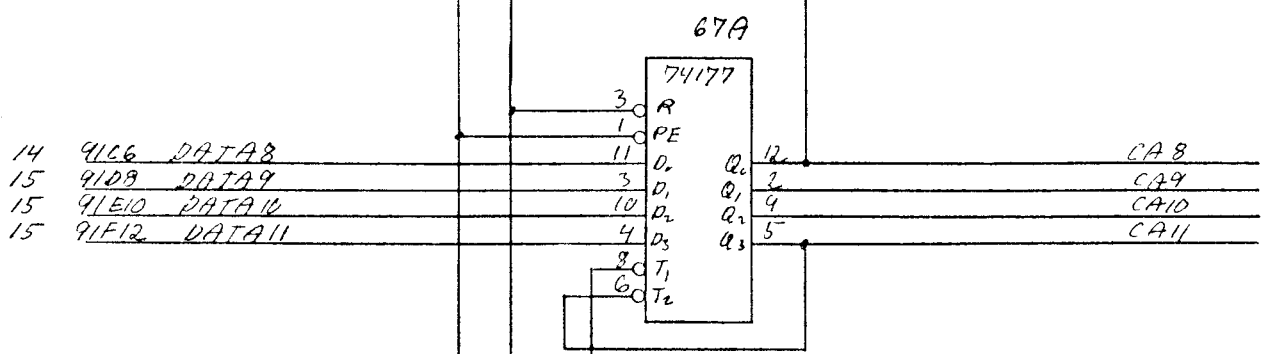
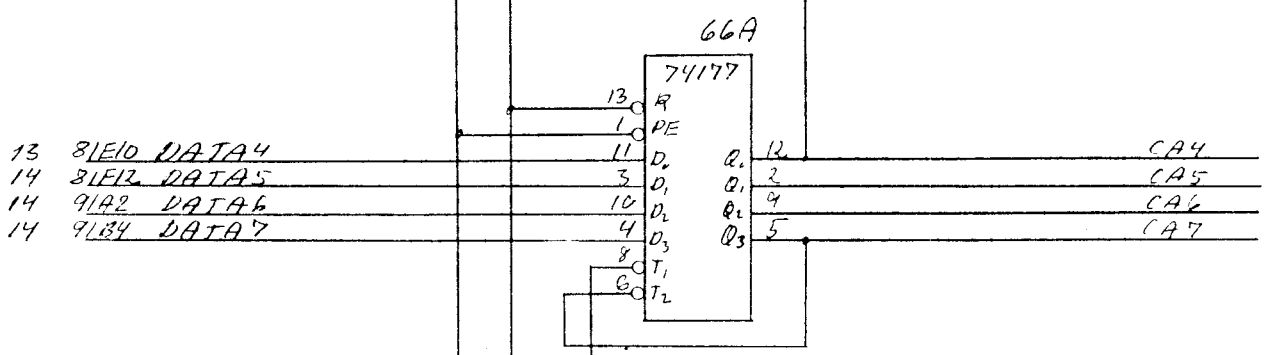
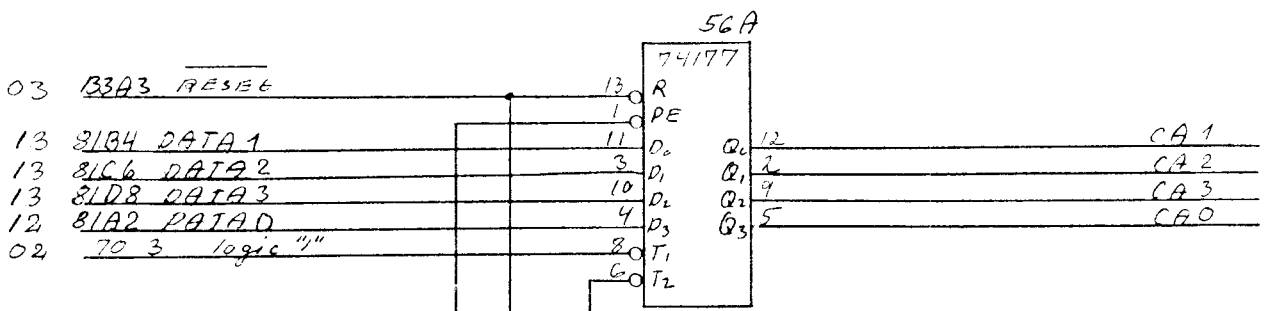


Replaced by Dwg. No. _____
 due to ECN _____
 Replaces Dwg. No. _____
 Design Check _____
 Dwg. Office Check _____
 Drawn by MFL
 Designed by MFL
 HAYES 74
 Unit
 DCC 701
 Dwg. No.
 R 10814

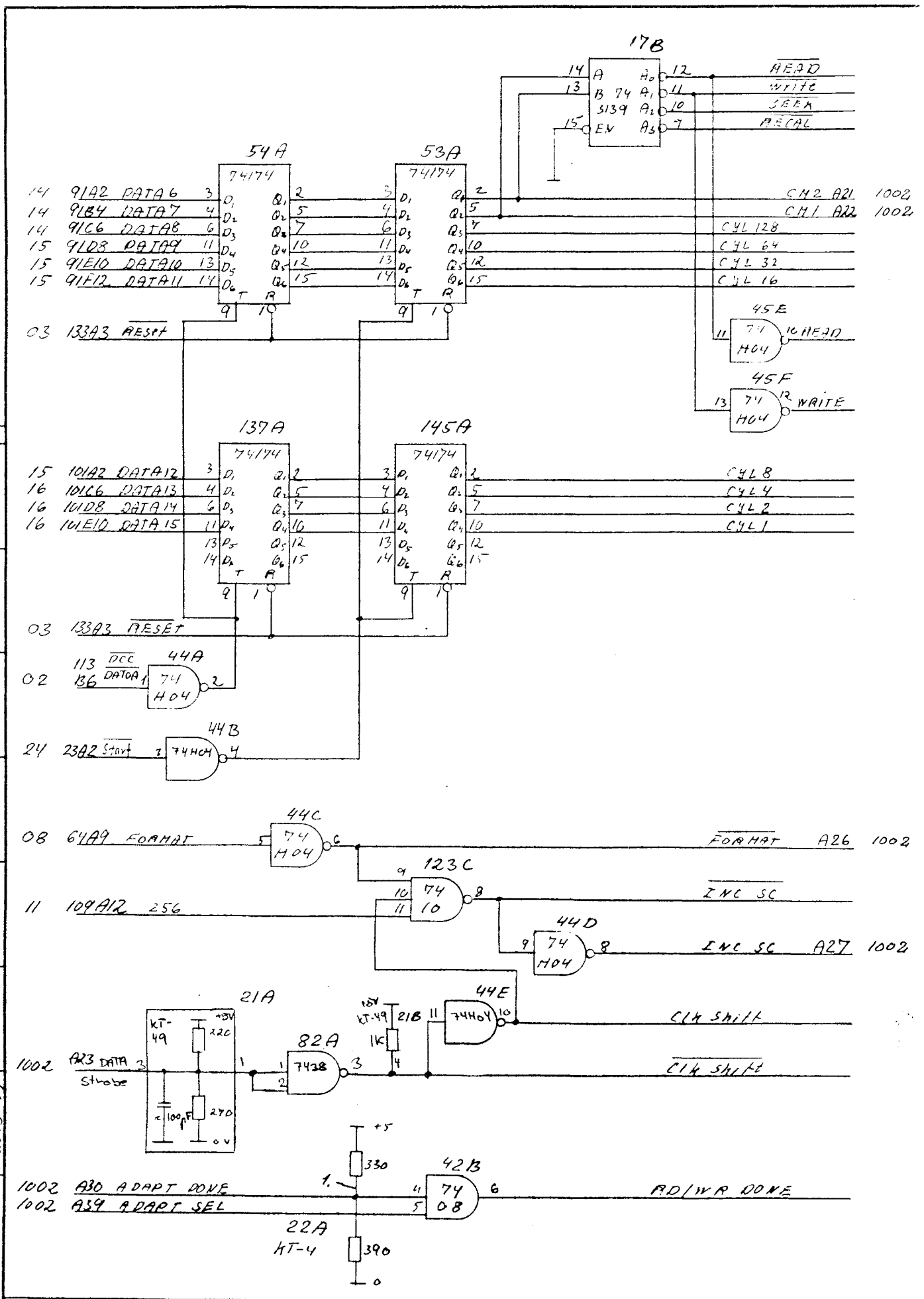
Unit DCC 701	Disc address registers	DCC 701
Dwg. No. R 10814		08

R.C. No. 18 140

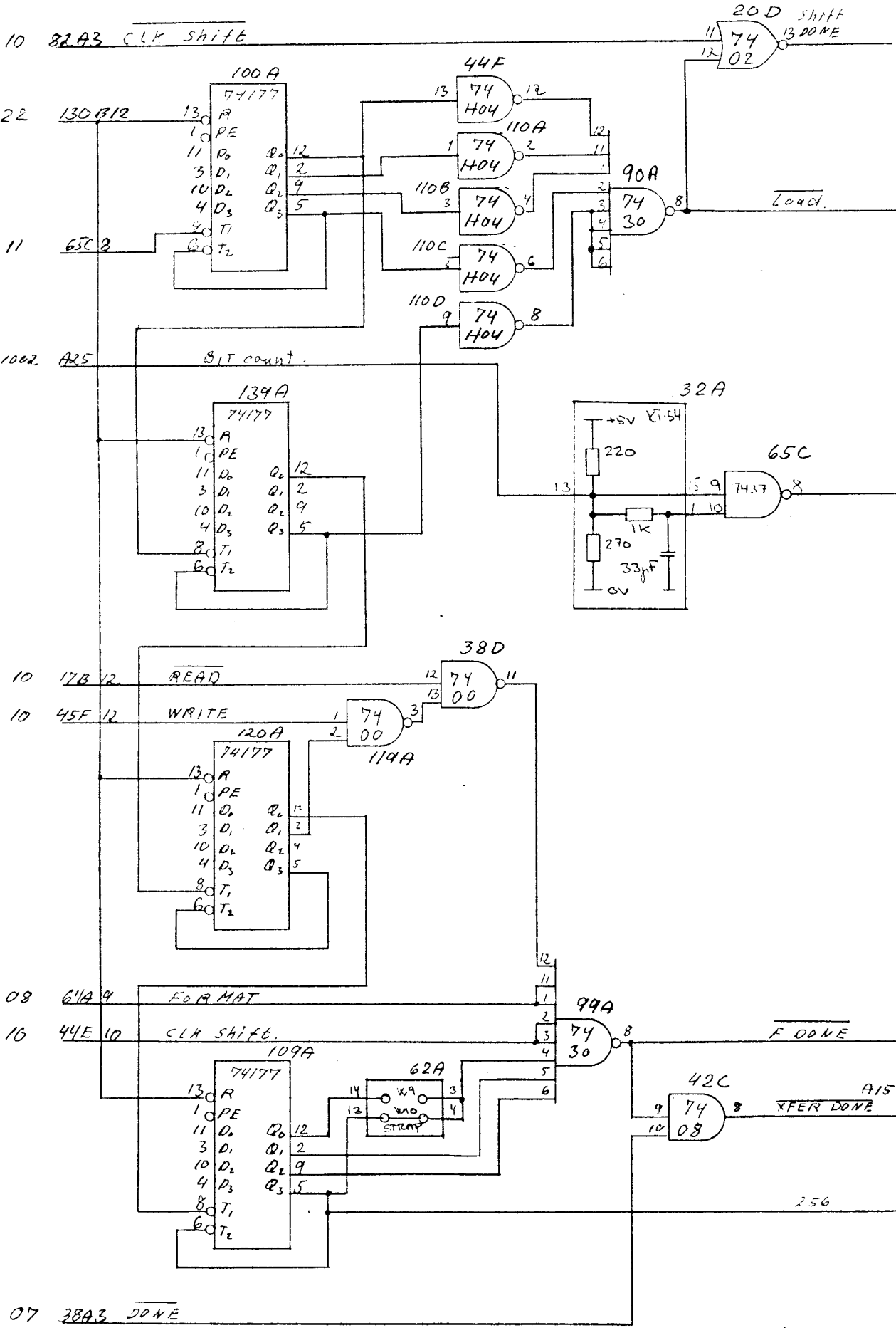
Replaced by Dwg. No. due to ECN Replaces Dwg. No. Design Check Dwg. Office Check Drawn by Designed by HFL
 HAWKS 74
 A/S REGNENCENTRALEN



1:00-00 10 140

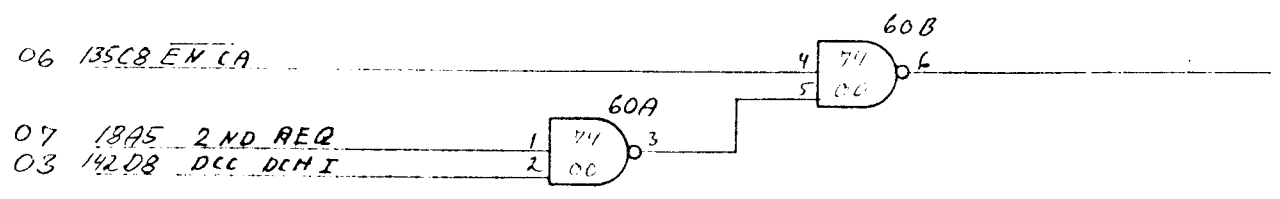
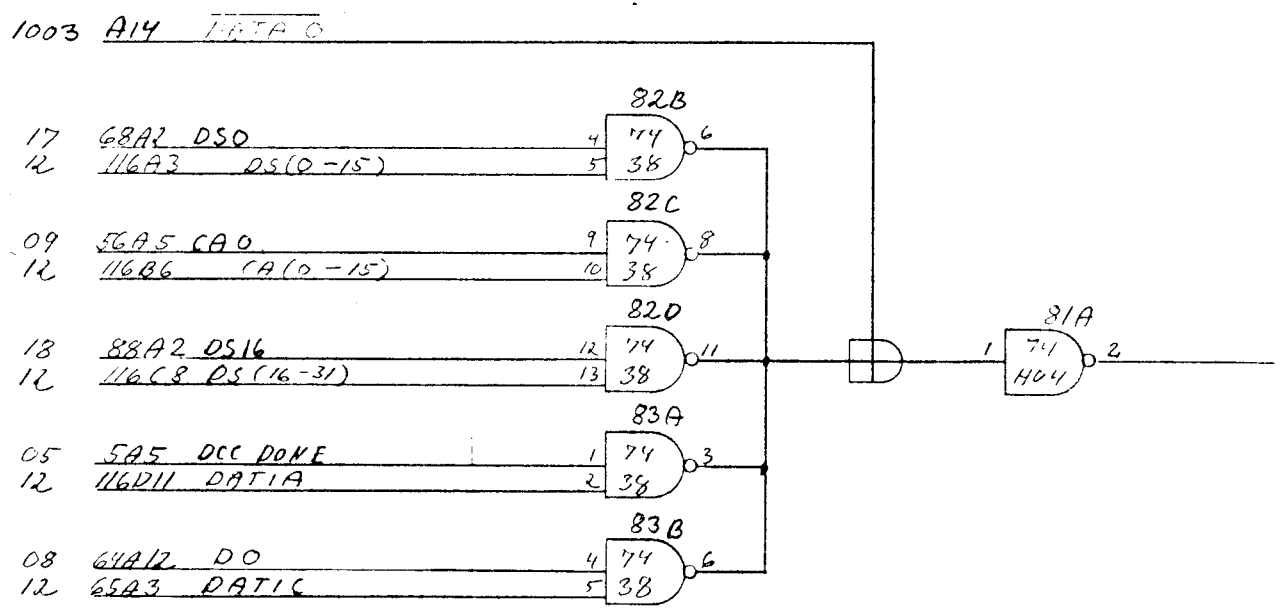
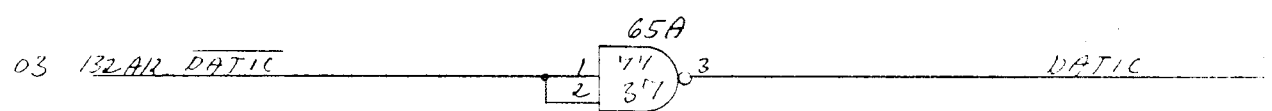
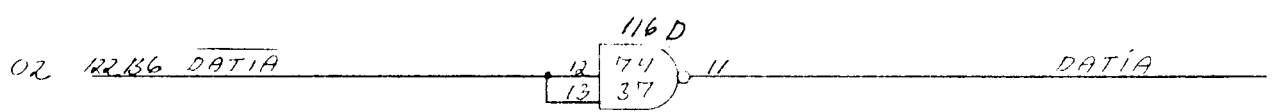
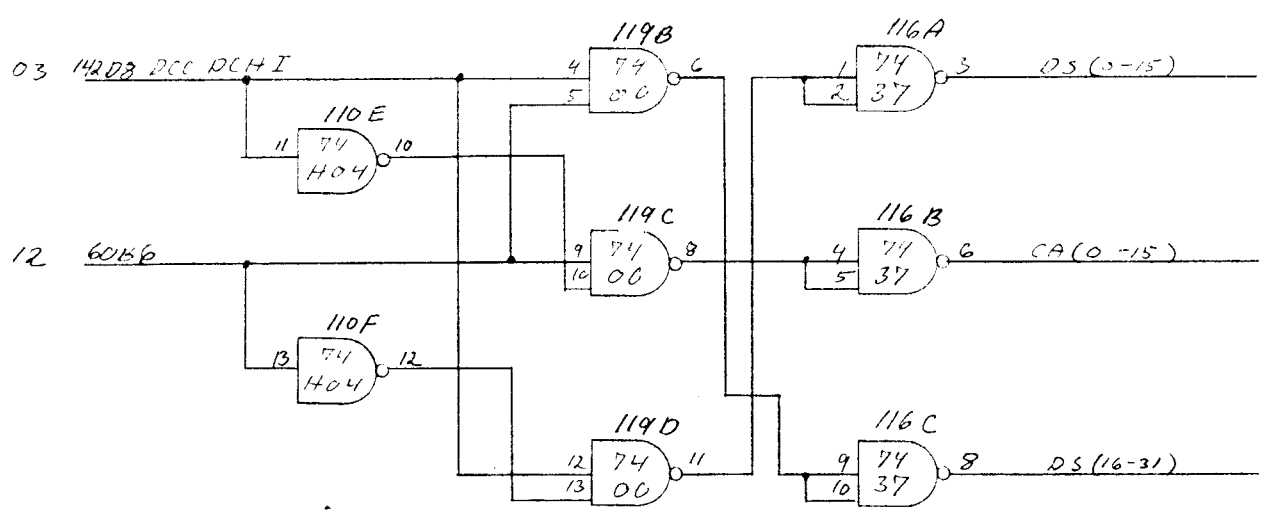


Replaced by Dwg. No. due to EGN
Replaces Dwg. No. due to EGN
Design Check
Dwg. Office Check
Designed by 444
Drawn by HANNS 744
A/S REGNENCENTRALEN



Replaced by Dwg. No. _____
 due to ECN _____
 Replaces Dwg. No. _____
 Design Check _____
 Dwg. Office Check _____
 Drawn by _____
 Designed by **UFL**
MAY 15 74
A/S REGNENCENTRALEN

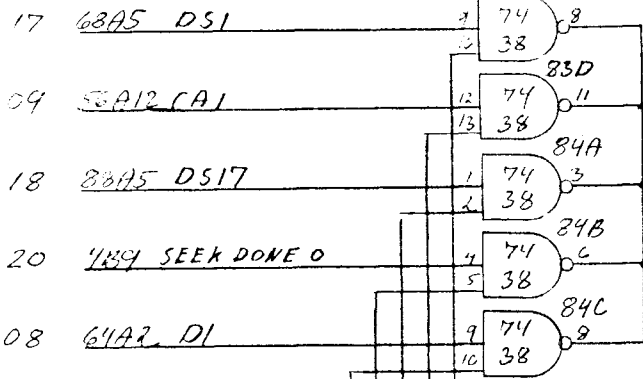
Unit DCC 701	Word counter	DCC 701 11
Dwg. No. R10817		



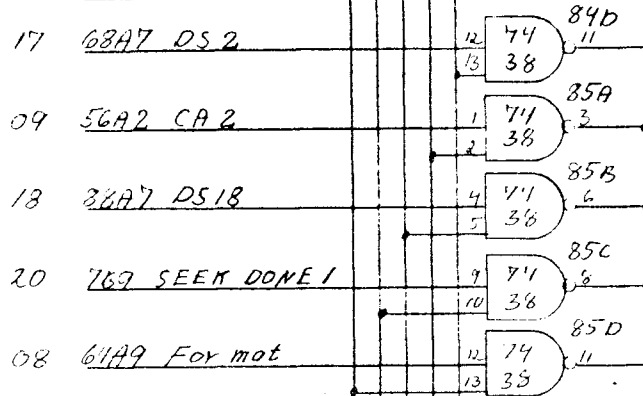
Replaced by Dwg. No. _____
 due to ECN _____
 Replaces Dwg. No. _____
 Design Check _____
 Dwg. Office Check _____
 Drawn by _____
 Designed by 4924
 MAFS 04
 A/S REGNENCENTRALEN

Unit DCC 701	I/O	DCC 701 12
Dwg. No. R 10818		

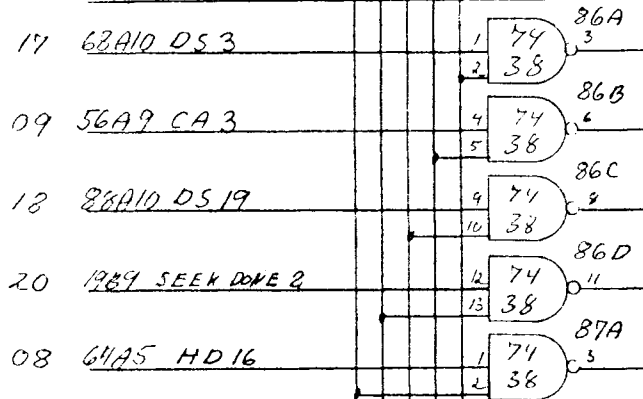
1003 A15 DATA 1



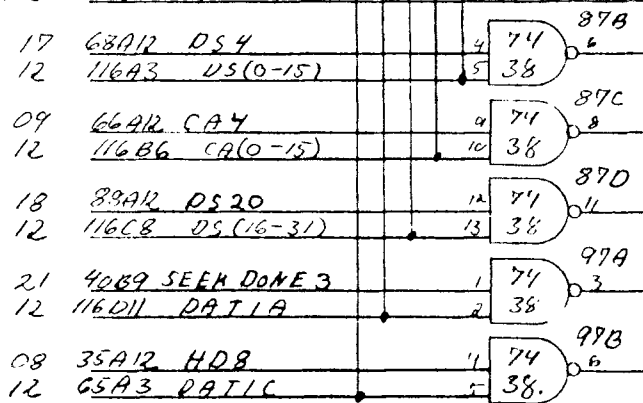
1003 A16 DATA 2



1003 A17 DATA 3



1003 B17 DATA 4



Replaced by Dwg. No. _____
 due to ECH _____
 Replaces Dwg. No. _____
 Design Check _____
 Dwg. Office Check _____
 Drawn by _____
 Designed by UFL _____
 Harfs 74
 A/S REGNOCENTRALEN

Unit DCC 701
 Dwg. No. R 10819

I/O

DCC 701
 13

1003 A18 DATA 5

17 66A15 DS5

09 66A2 CA5

18 38A15 DS21

20 7A5 SEEKING 0

08 35A4 HD4

1003 A19 DATA 6

17 98A2 DS6

09 66A9 CA6

18 108A2 DS22

20 19A5 SEEKING 1

08 35A9 HD2

1003 A20 DATA 7

17 98A5 DS7

09 66A5 CA7

18 108A5 DS23

20 40A5 SEEKING 2

08 35A5 HD1

1003 A21 DATA 8

17 98A7 DS8

12 116A3 DS(0-15)

09 67A12 CA8

12 116B6 CA(0-15)

18 108A7 DS24

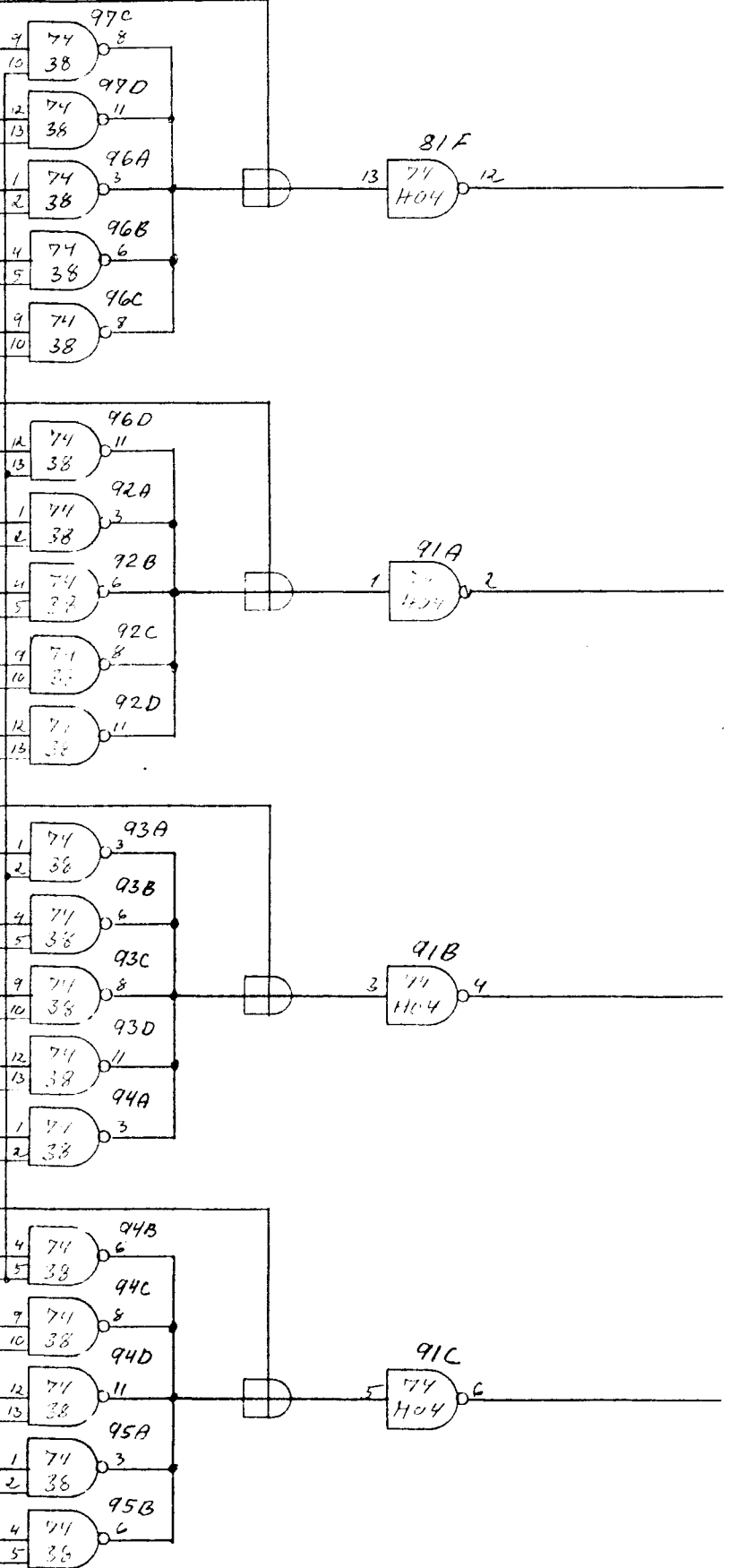
12 116C8 DS(16-31)

21 18A5 SEEKING 3

12 116D11 DATA 1A

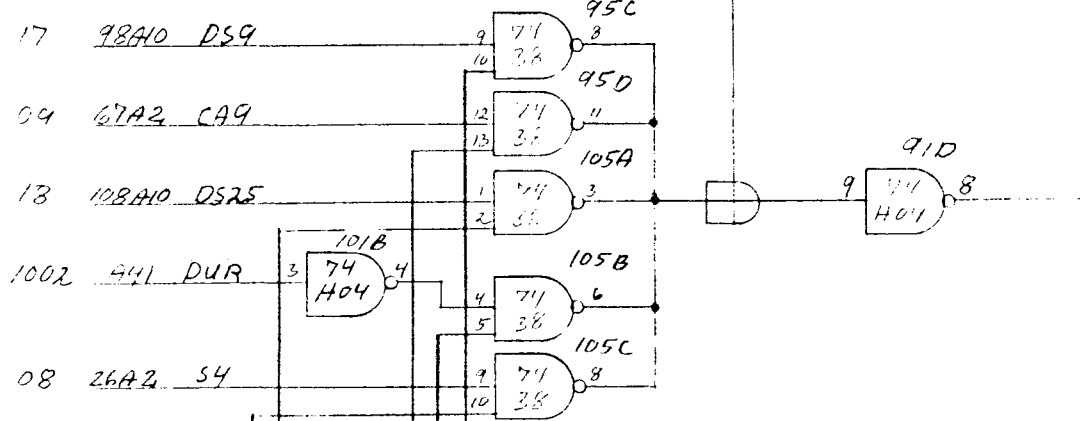
08 26A12 SA

12 65A3 DATA 1C

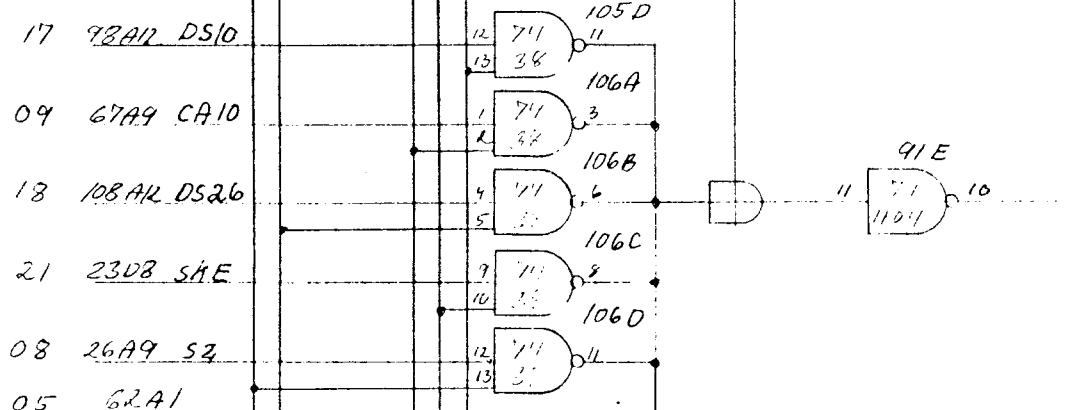


Replaced by Dwg. No. _____
 due to ECN _____
 Replaces Dwg. No. _____
 Design Check _____
 Dwg. Office Check _____
 Drawn by _____
 Designed by MFC _____
 M11/75 74

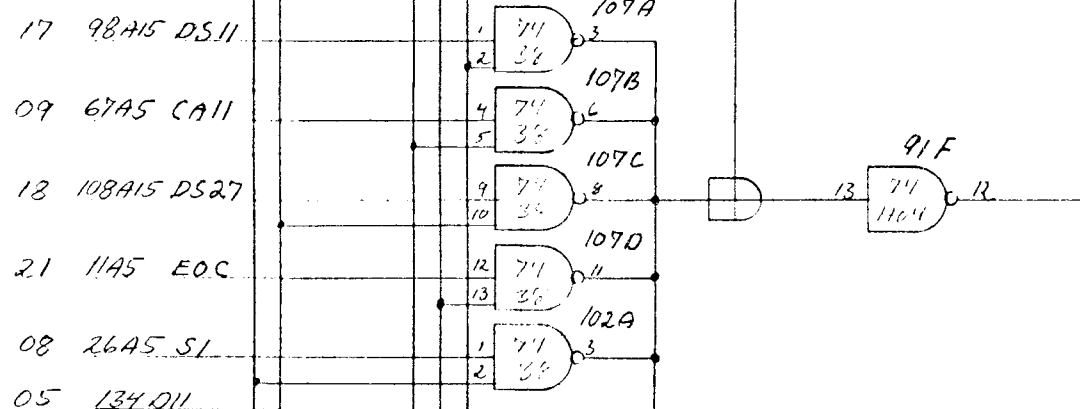
1003 B21 DATA9



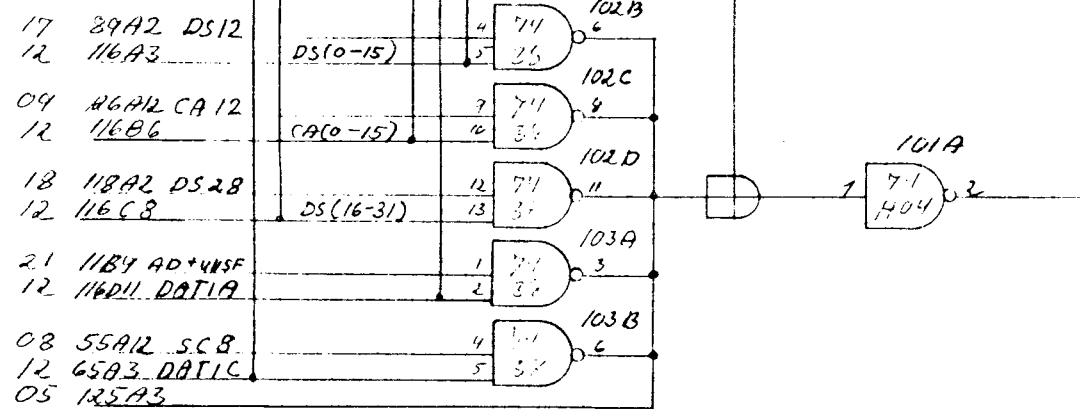
1003 A22 DATA 10



1003 A23 DATA 11



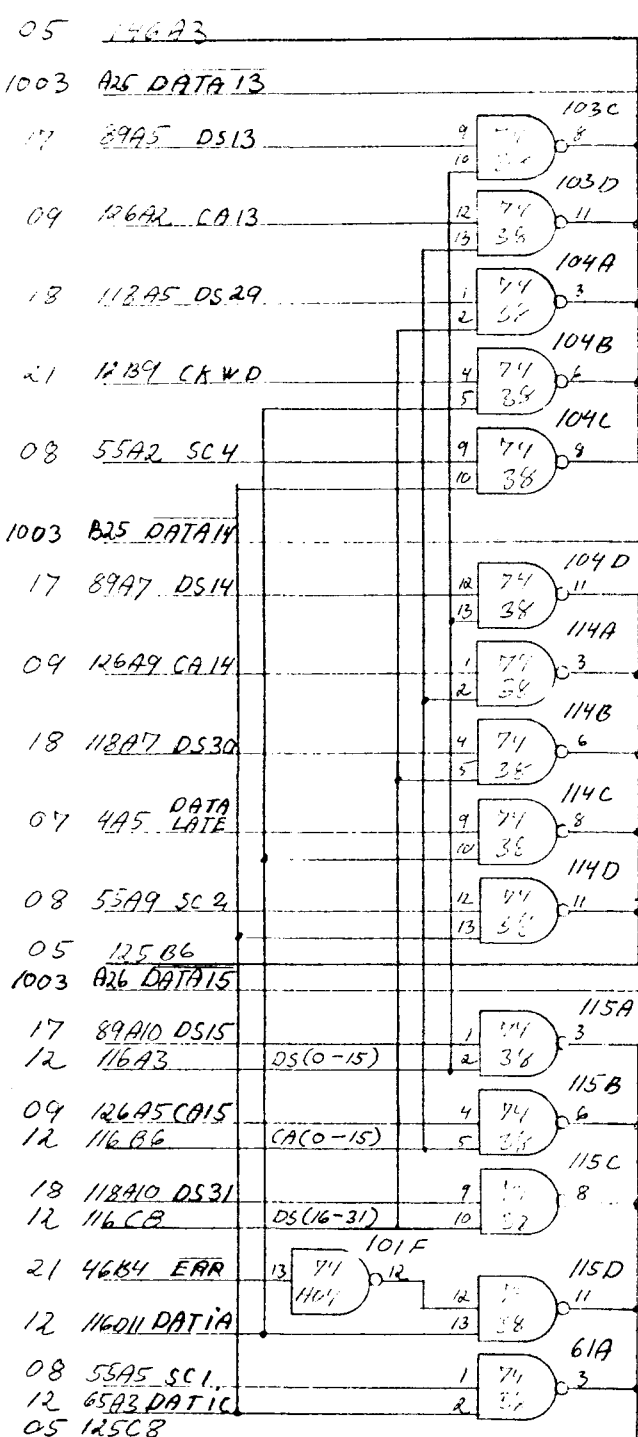
1113 A24 DATA 12



A/S REGNENCENTRALEN
 Designed by: VFL / Drawn by: Harts 74
 Dwg. Office Check: []
 Design Check: []
 Replaces Dwg. No.: []
 due to ECN: []
 Replaced by Dwg. No.: []

Unit DCC 701	I/O	DCC 701 15
Dwg. No. R 10821		

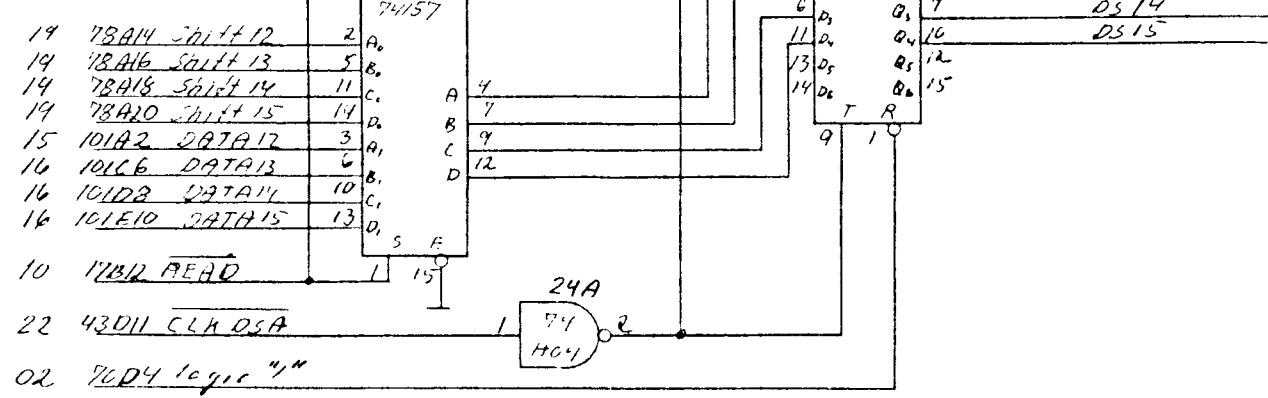
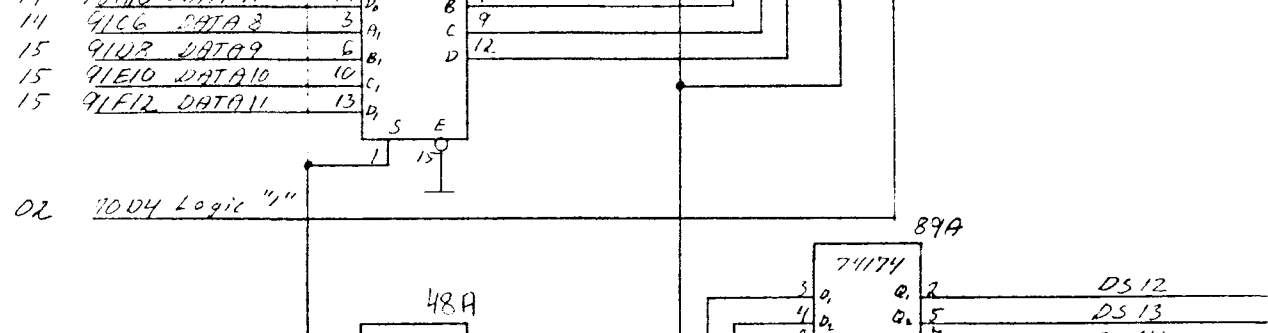
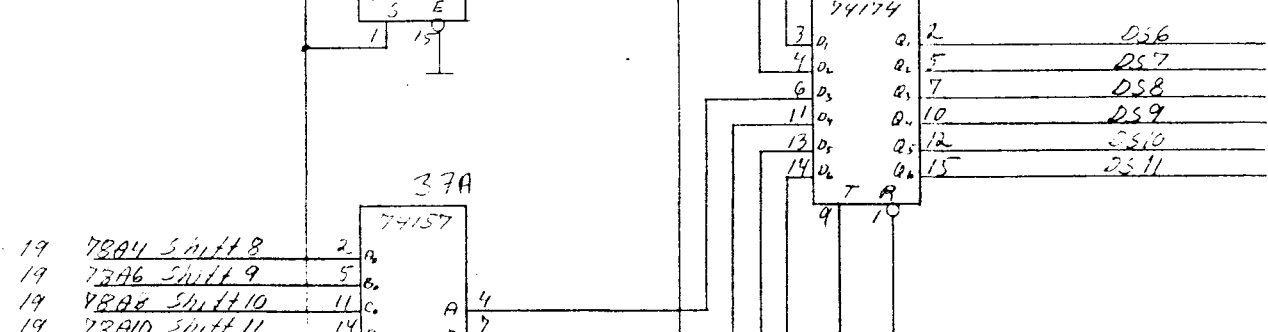
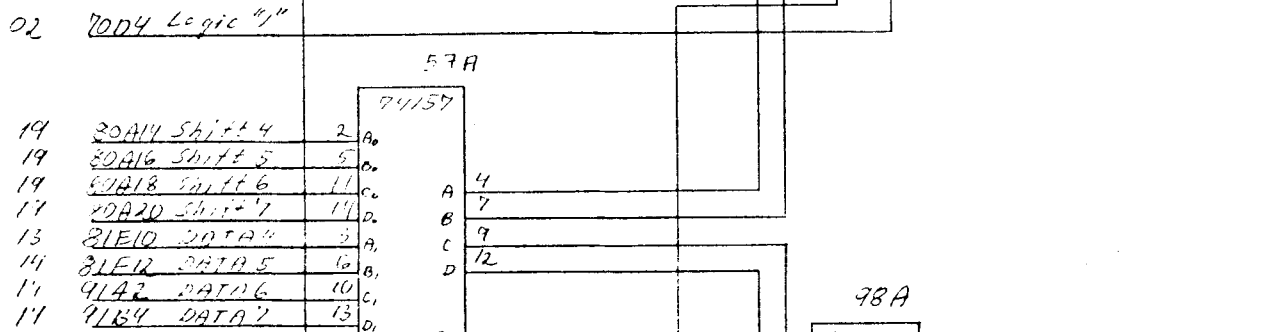
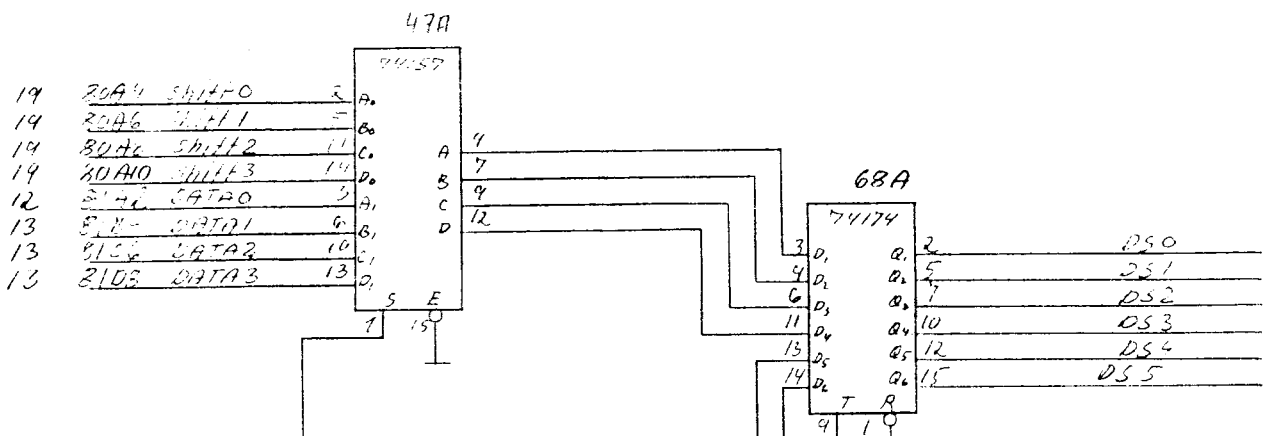
4C-100-98-1-40



- 05 146A3
- 1003 A25 DATA 13
- 17 89A5 DS13
- 09 126A2 CA13
- 18 112A5 DS29
- 21 12139 CKWD
- 08 55A2 SC4
- 1003 B25 DATA14
- 17 89A7 DS14
- 09 126A9 CA14
- 18 112A7 DS30
- 07 4A5 DATA LATE
- 08 55A9 SC2
- 05 125B6
- 1003 A26 DATA15
- 17 89A10 DS15
- 12 116A3 DS(0-15)
- 09 126A5 CA15
- 12 116B6 CA(0-15)
- 18 112A10 DS31
- 12 116CB DS(16-31)
- 21 46B4 ERR
- 12 116D11 DATA
- 08 55A5 SC1
- 12 65B3 DATA IC
- 05 125C8

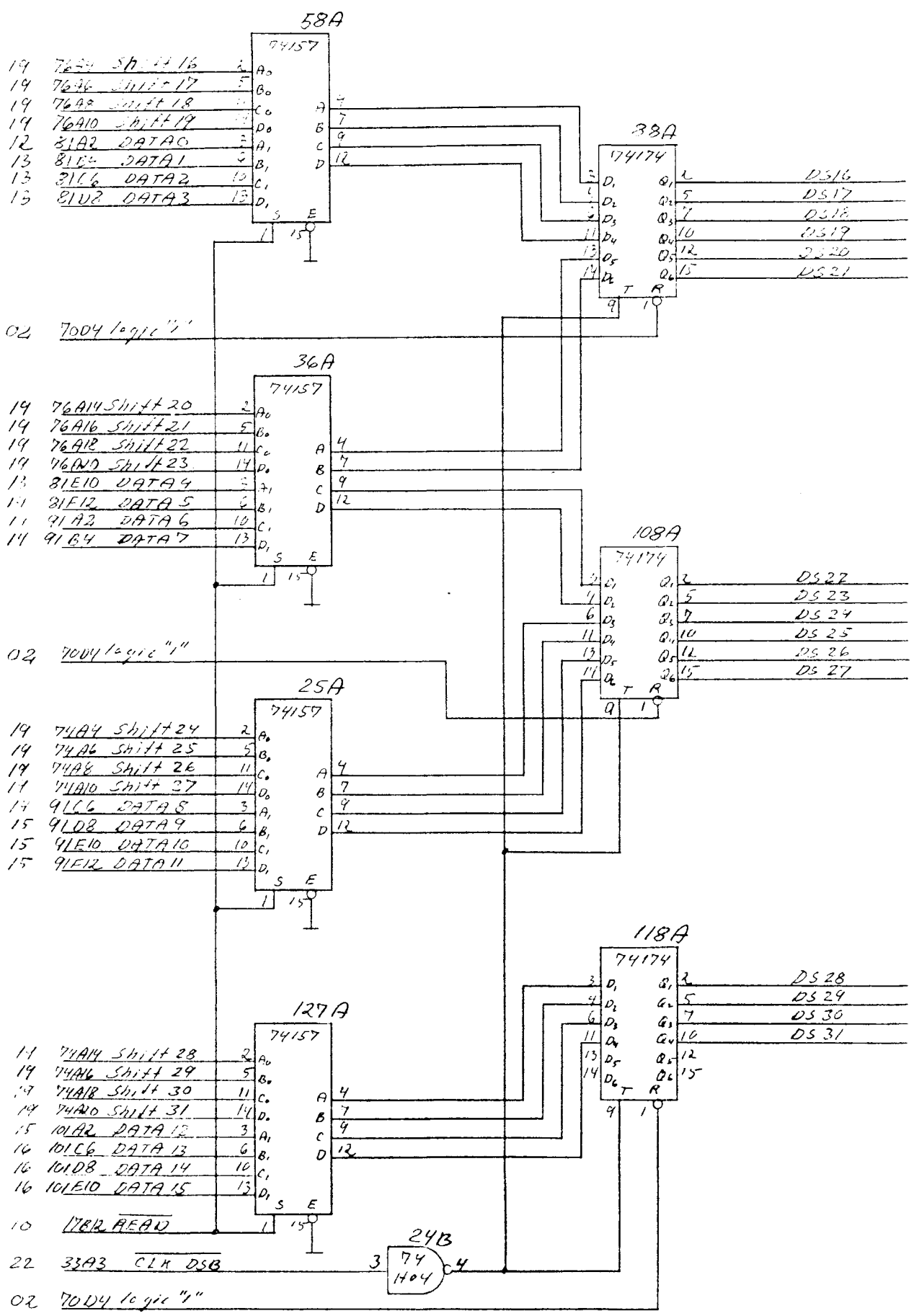
Replaced by Dwg. No. due to ECN Replaces Dwg. No. Design Check Dwg. Office Check Drawn by
 Designed by HFL Marks 74
 A/S REGNOCENTRALEN

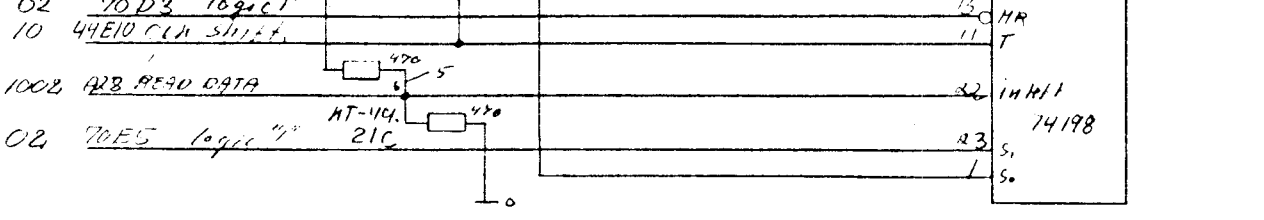
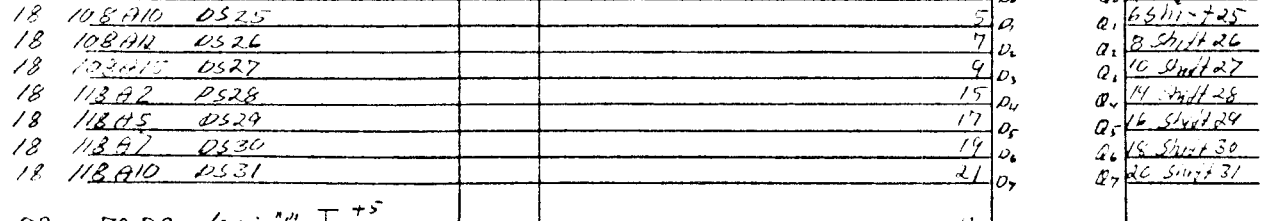
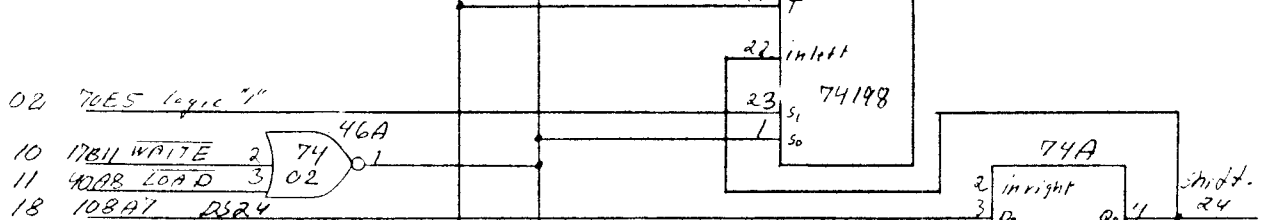
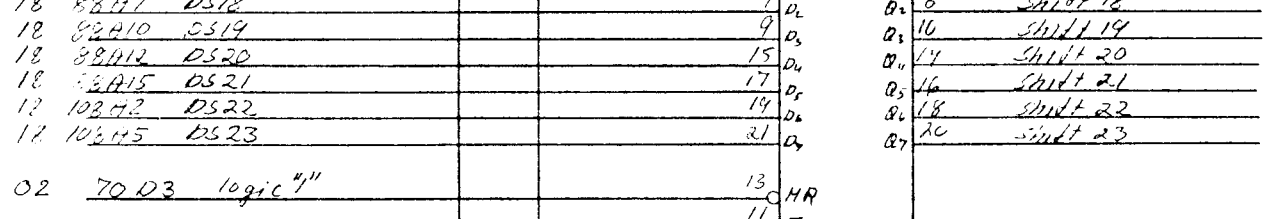
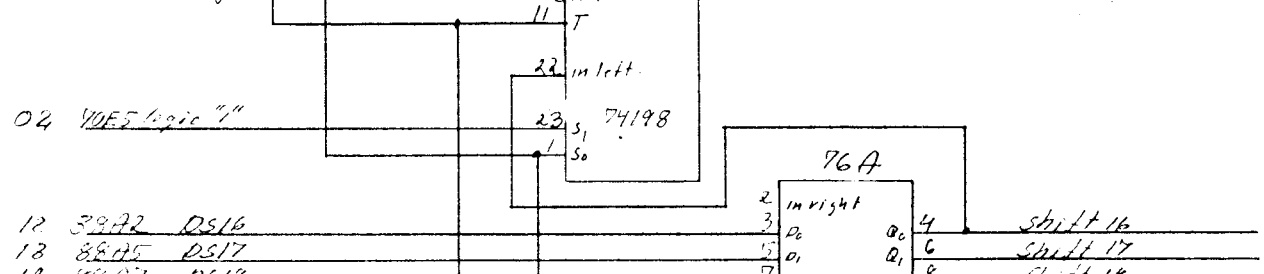
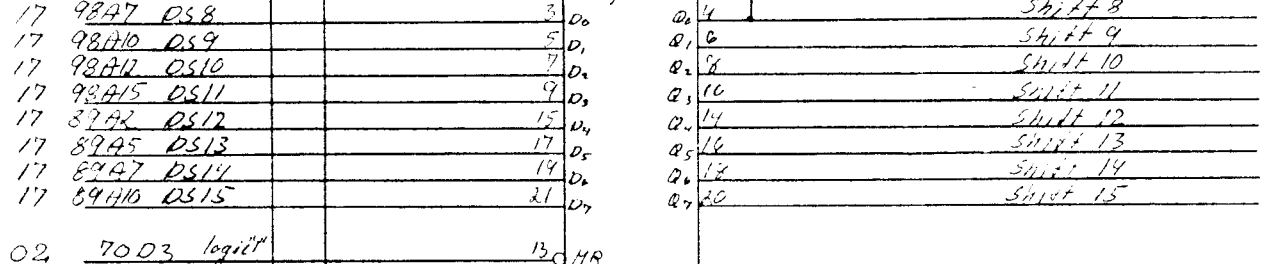
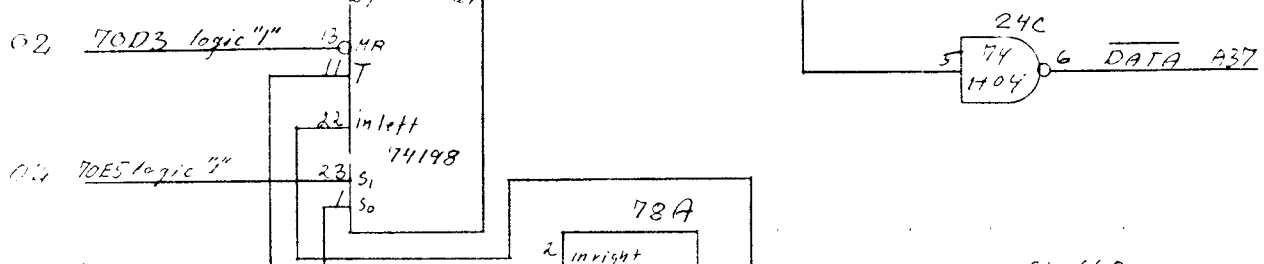
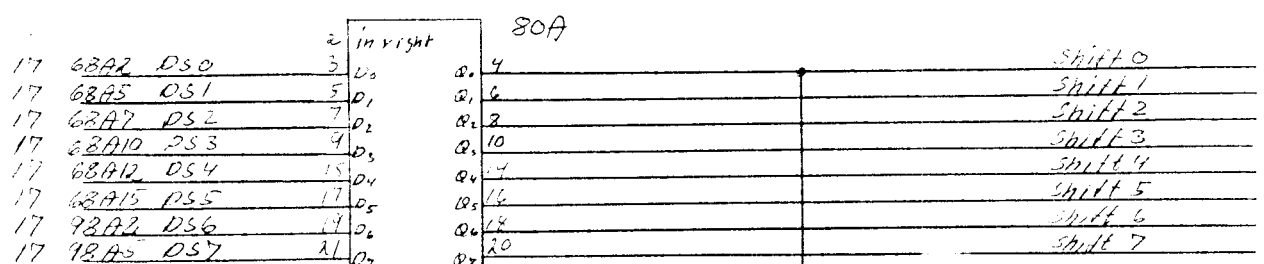
Unit DCC 701	I/O	DCC 701 16
Dwg. No. R 10822		



Replaced by Dwg. No. due to ECN Replaces Dwg. No. Design Check Dwg. Office Check Drawn by 11/2 Harts 74

Replaced by Dwg. No. due to ECN Replaces Dwg. No. Design Check Dwg. Office Check Drawn by Designed by
 Harts 74
 A/S REGNENCTRALEN

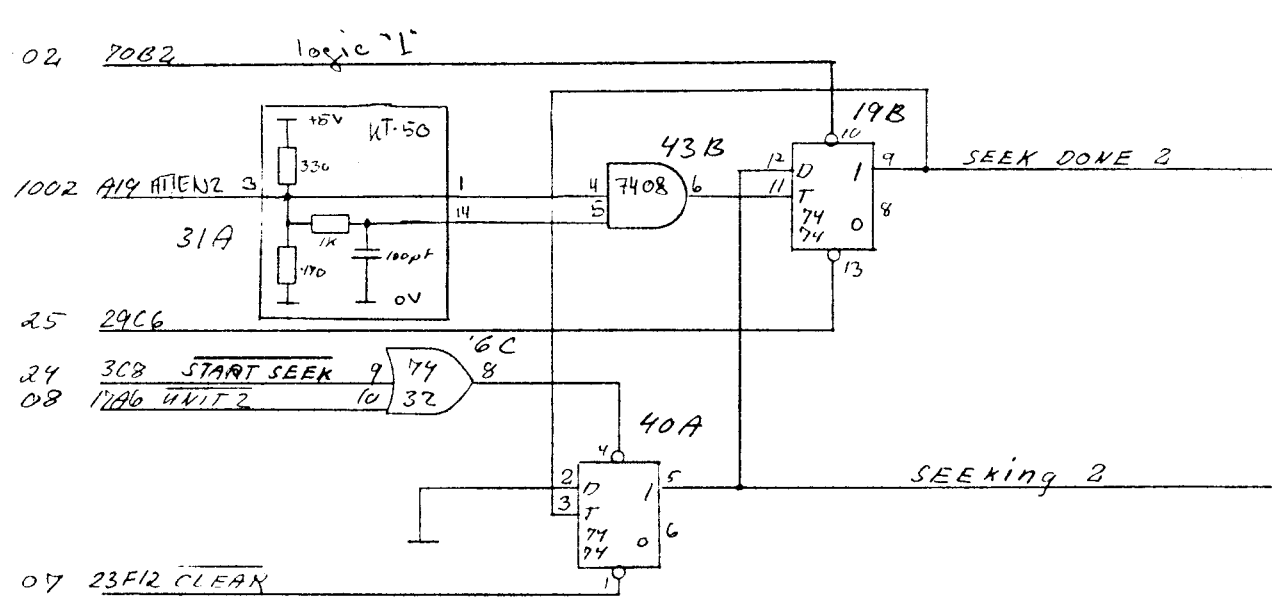
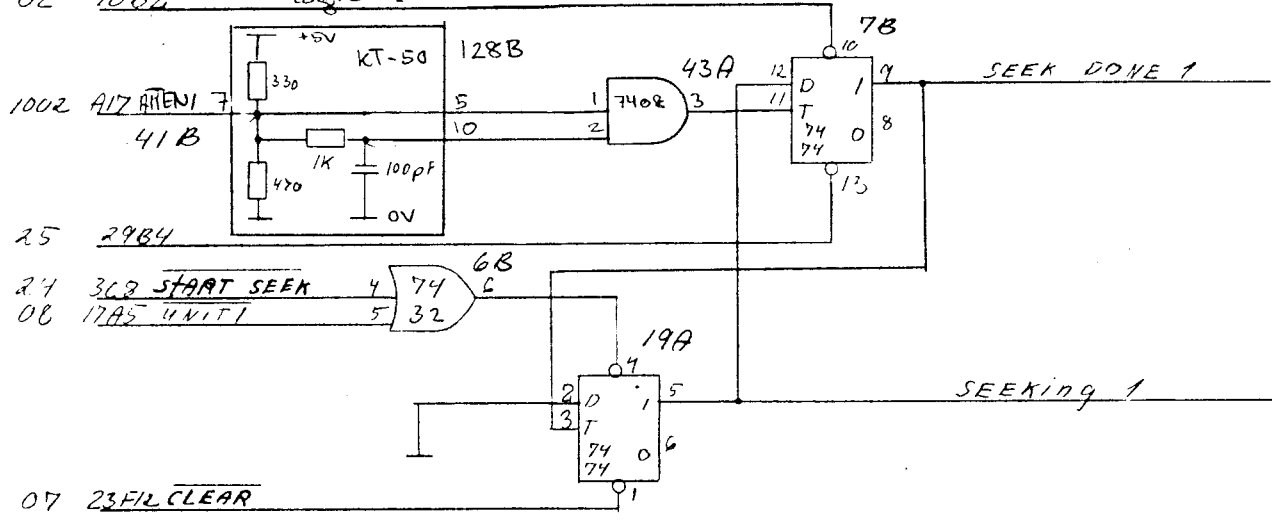
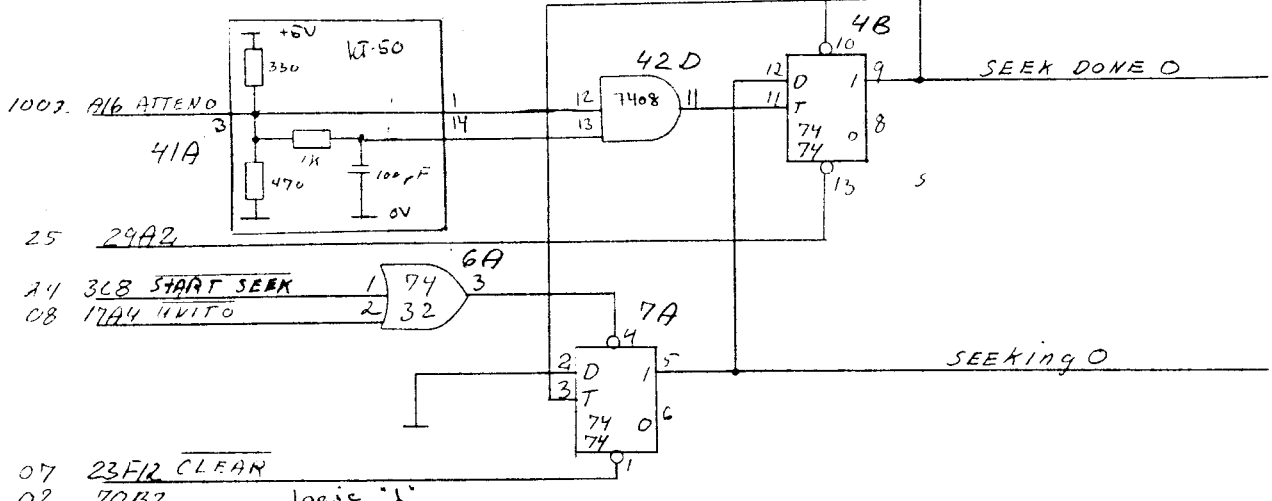




Unit	DCC 701	Parallel to serial and serial to parallel registers	DCC 701 17
Dwg. No.	R 10825		

Replaced by Dwg. No. _____
 due to ECN _____
 Replaces Dwg. No. _____
 Design Check _____
 Dwg. Office Check _____
 Drawn by _____
 Designed by MFL _____
 Harts 74
 A/S REGNENTRALEN

22 70B2 10/11/64



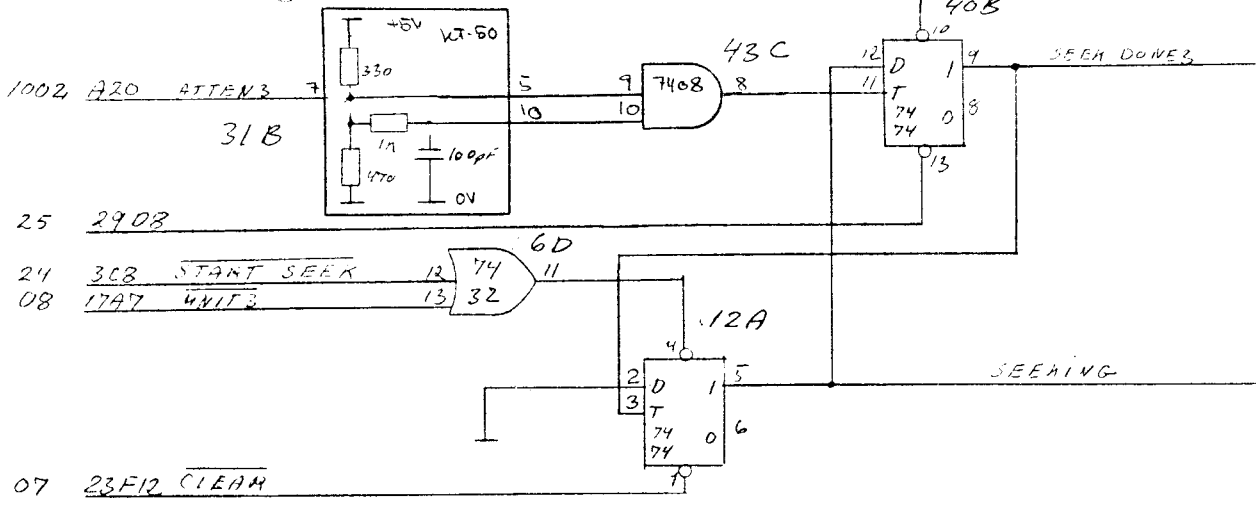
Replaced by Dwg. No. _____
 due to ECN _____
 Replaces Dwg. No. _____
 Design Check _____
 Dwg. Office Check _____
 Drawn by _____
 Designed by MFL
 MOPS 74
AIS REGNENTRALEN

Unit
DCC 701
 Dwg. No.
R 10826

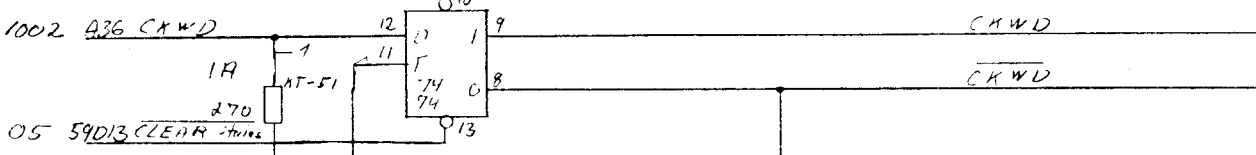
Seek status registers

DCC 701
20

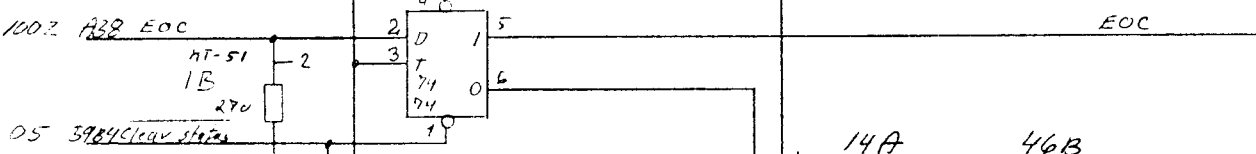
02 70B2 logic 1'



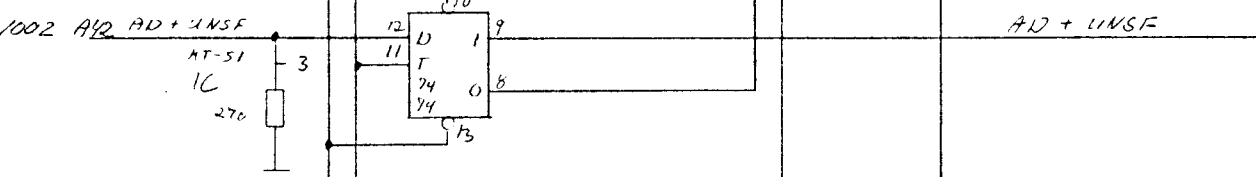
02 70B2 Logic 1"



02 70B2 Logic 1"



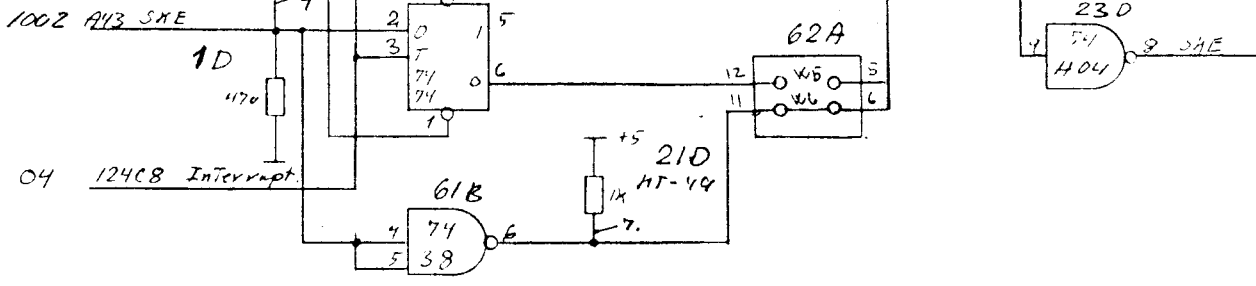
02 70B2 Logic 1"



02 70B2 Logic 1"



02 70B2 Logic 1"



04 124C8 Interrupt

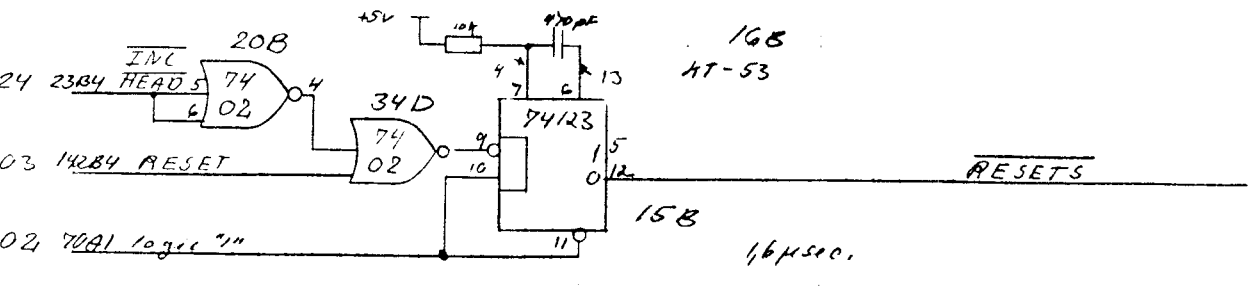
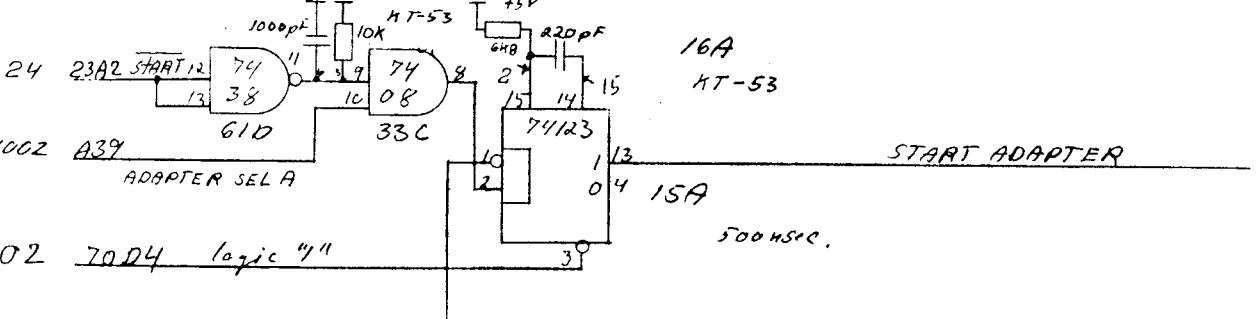
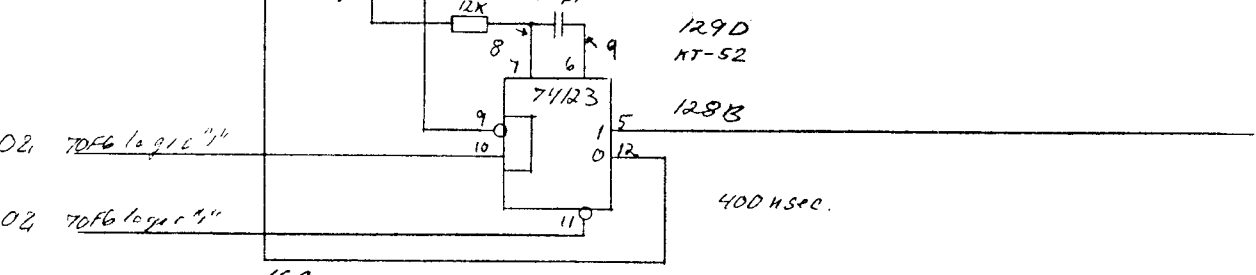
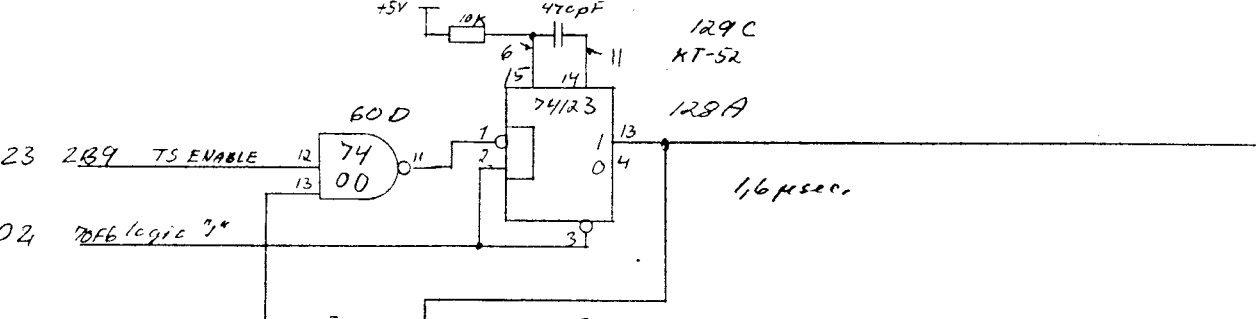
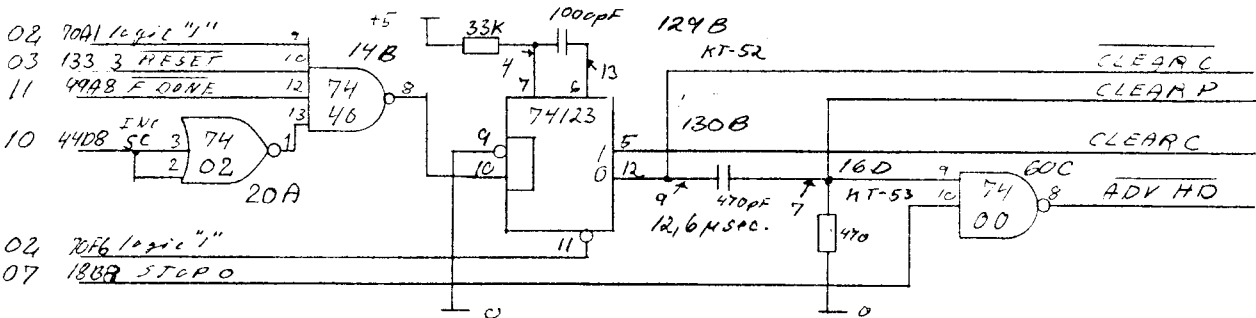
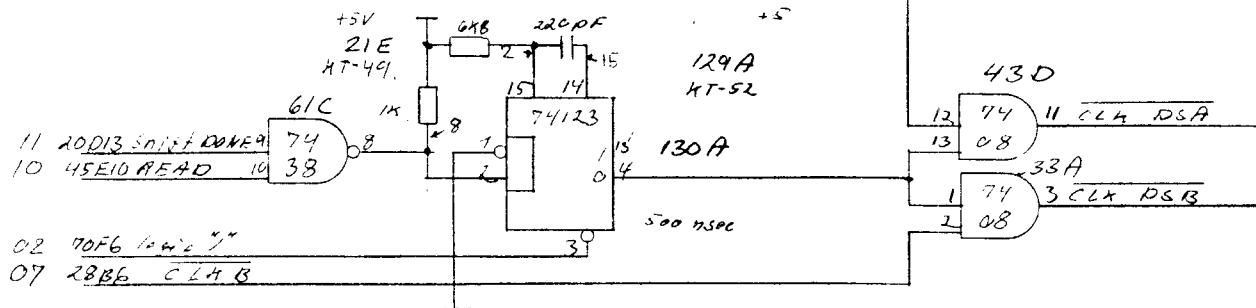
Replaced by Dwg. No. due to ECN Replaces Dwg. No. Design Check Dwg. Office Check Drawn by May 75 74 Designed by MFL
 A/S REGNENTRALEN

Unit
DCC 701
Dwg. No.
P10827

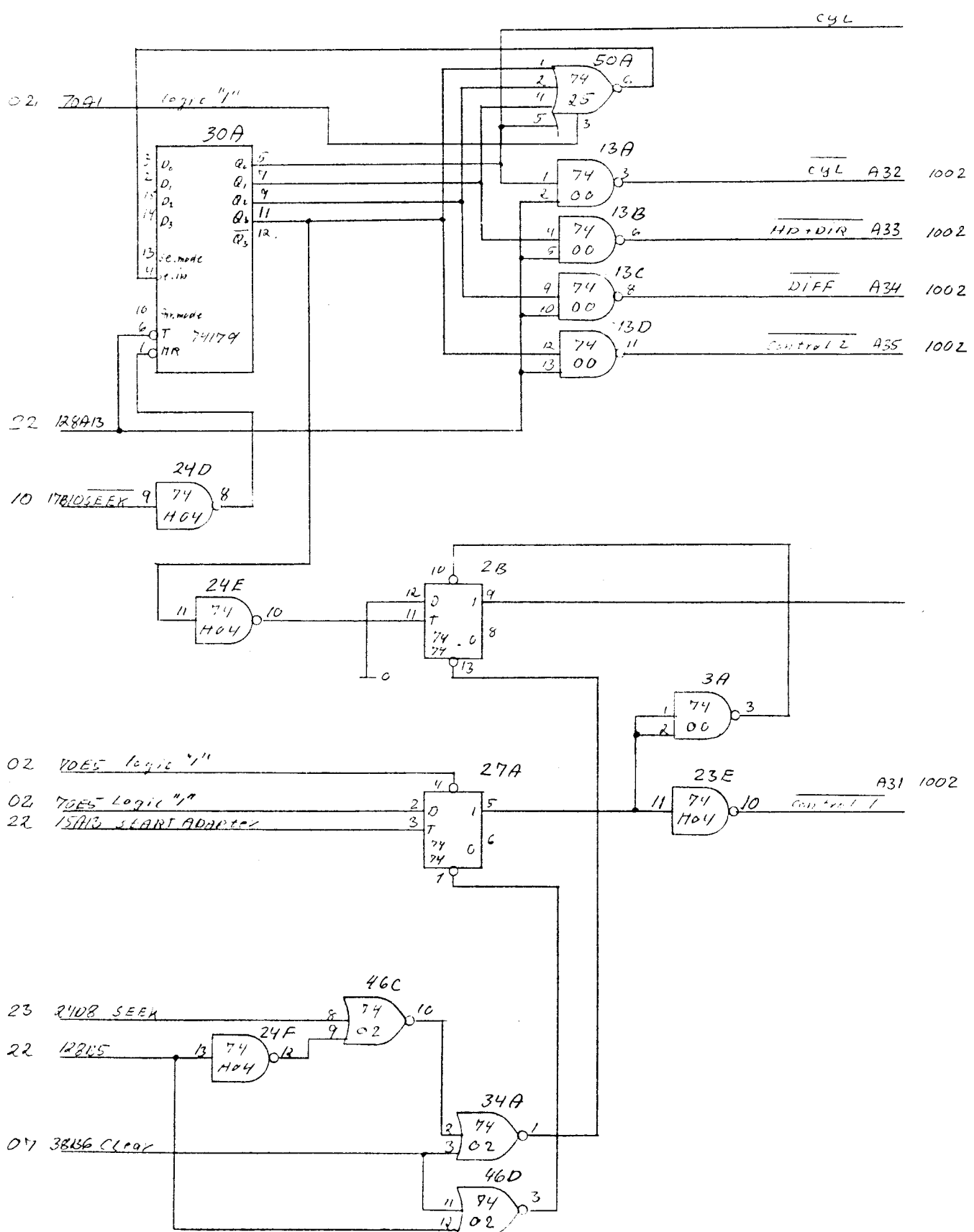
Disc. error register's

DCC 701
21

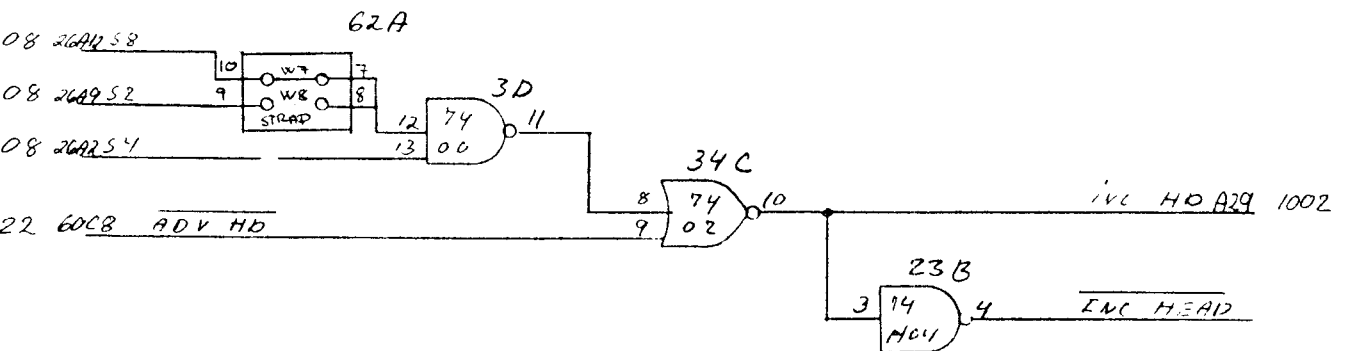
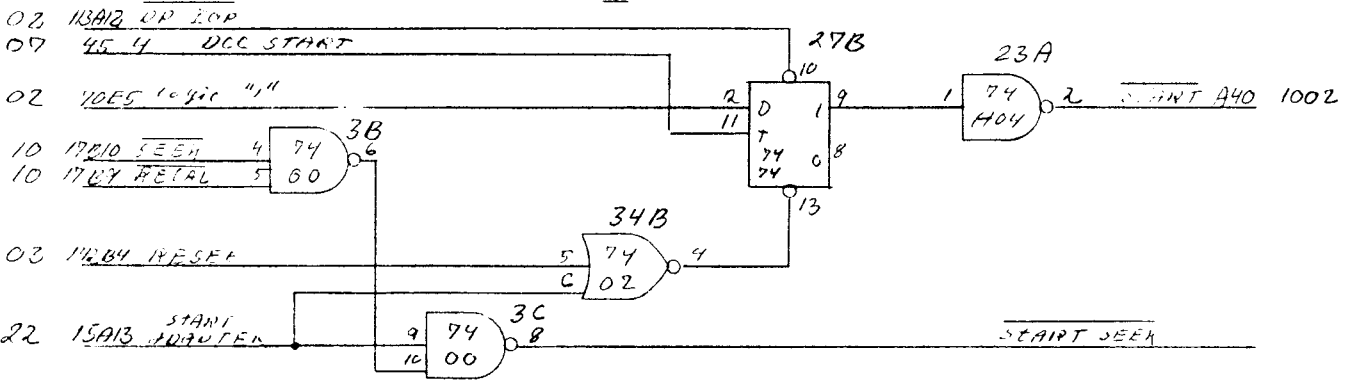
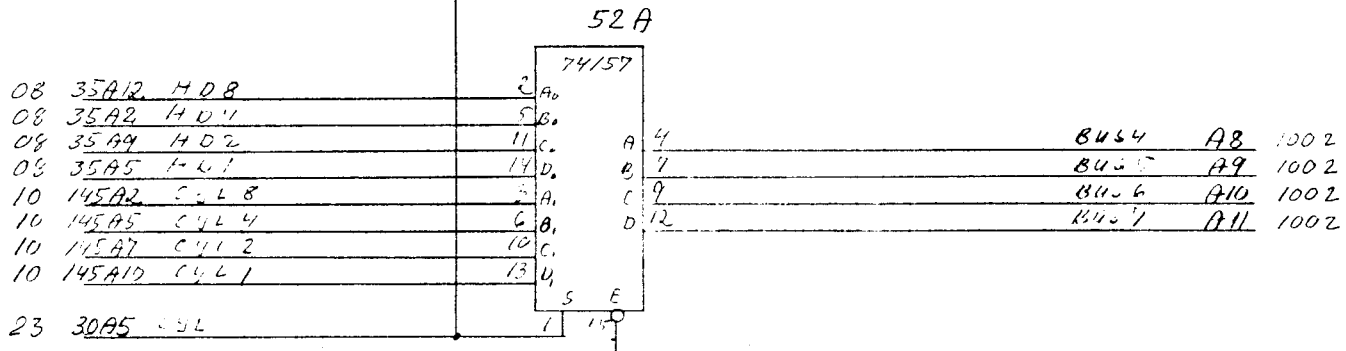
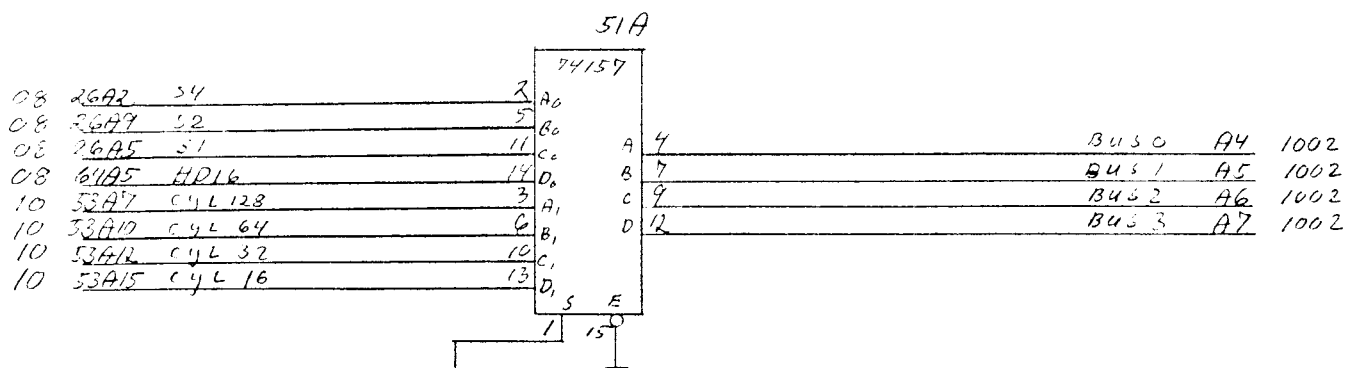
07 28CB CLTB



Replaced by Dwg. No. due to ECN
 Design Check
 Dwg. Office Check
 Drawn by
 Designed by MFL
 Marts 74
 AIS R-UNECENTRALEN

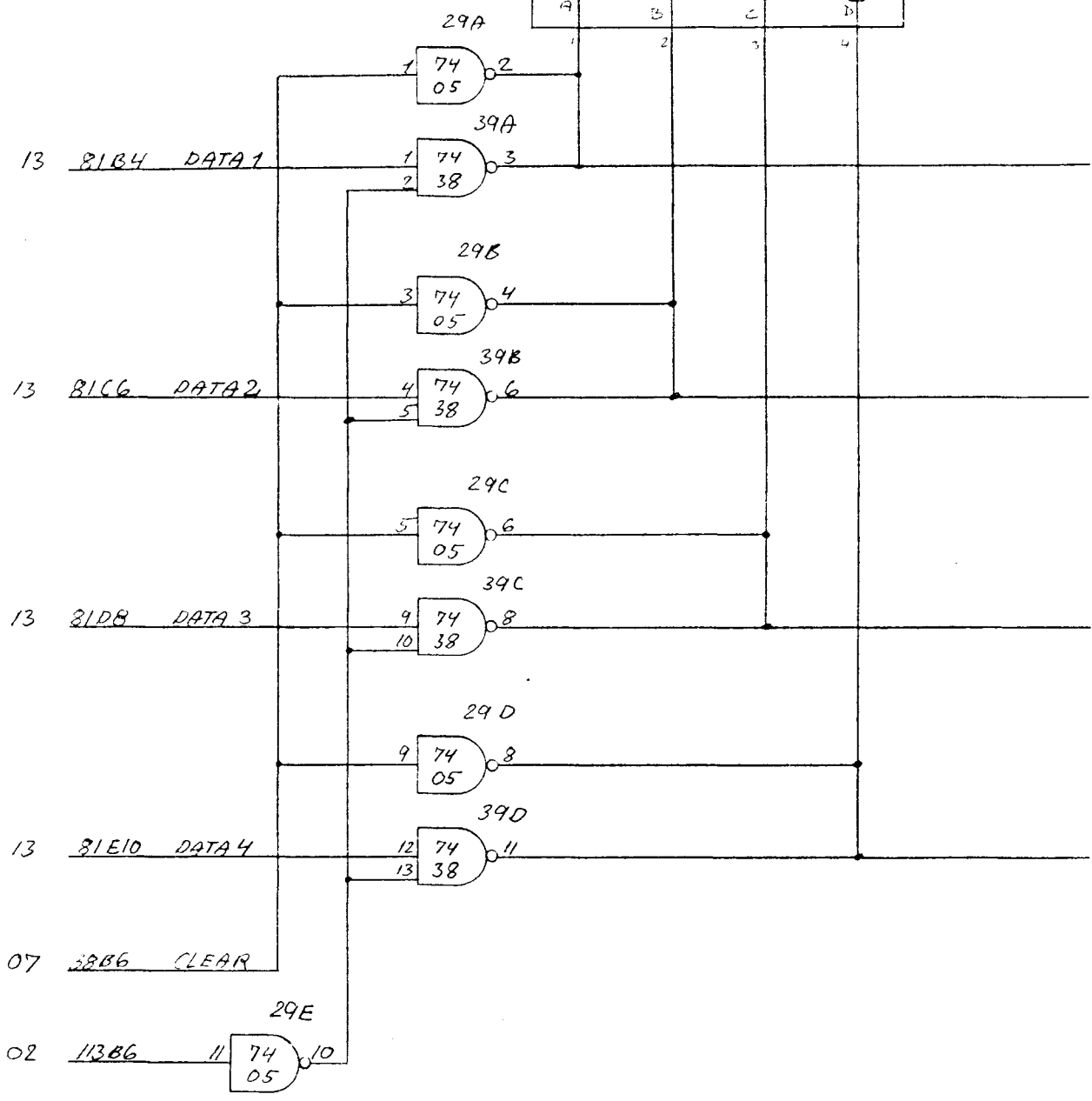
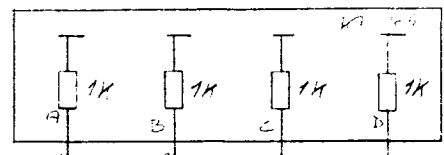


Replaced by Dwg. No. _____
 due to ECR _____
 Replaces Dwg. No. _____
 Design Check _____
 Dwg. Office Check _____
 Drawn by _____
 Designed by *WFL*
Marks



Replaced by Dwg. No. due to ECN Replaces Dwg. No. Design Check Dwg. Office Check Drawn by Designed by LFL Marts 74 A/S REGNENCENTRALEN

10



Replaced by Dwg. No.
due to ECN
Replaces Dwg. No.
Design Check
Dwg. Office Check
Drawn by
Designed by <i>L.F.L. HAYS '74</i>
AIS REGNENCENTRALEN

Unit
DCC 701
Dwg. No.
R 10831

Seek interrupt reset

DCC 701
25

KC 800 VB 140

24	> 51A4	BUS 0	A4	1002
24	> 51A7	BUS 1	A5	1002
24	> 51A9	BUS 2	A6	1002
24	> 51A12	BUS 3	A7	1002
24	> 52A4	BUS 4	A8	1002
24	> 52A7	BUS 5	A9	1002
24	> 52A9	BUS 6	A10	1002
24	> 52A12	BUS 7	A11	1002
08	> 45C6	SB	A12	1002
08	> 64A2	D1	A13	1002
08	> 64A12	D0	A14	1002
11	> 42C8	XFER DONE	A15	1002
20	< 41A3	ATTEN 0	A16	1002
20	< 41B7	ATTEN 1	A17	1002
20	< 51A3	ATTEN 2	A19	1002
21	< 31B7	ATTEN 3	A20	1002
10	> 53A2	CM 2	A21	1002
10	> 53A5	CM 1	A22	1002
10	< 21A3	DATA STROBE	A23	1002
03	142B4	RESET	A24	1002
11	< 32A13	BIT COUNT	A25	1002
10	> 44C6	FORMAT	A26	1002
10	> 44D8	INC SC	A27	1002

Replaces by Dwg. No. due to EGN Replaces Dwg. No. Design Check Dwg. Office Check Drawn by Designed by HFL Harfs TH
 A/S REGNECENTRALEN

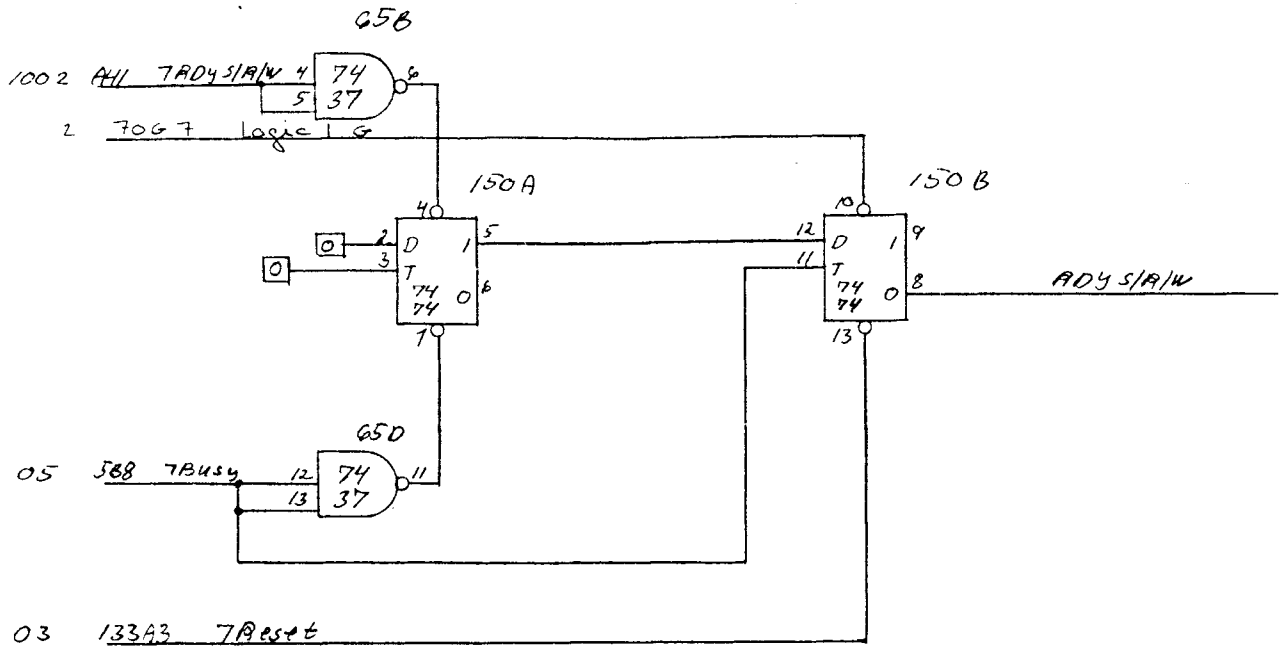
Unit DCC 701	Play 1002; signal cross reference.	DCC 701
Dwg. No. R10832		26

19	← 21C5	READ DATA	A28	← 1002
24	→ 34C10	ENC HD	A29	→ 1002
10	← 22A1	ADAPTER DONE	A30	← 1002
23	→ 23E8	CONTROL 1	A31	→ 1002
23	→ 13A3	CYL	A32	→ 1002
23	→ 13B6	HD + DIR	A33	→ 1002
23	→ 13C8	DIFF	A34	→ 1002
23	→ 13D11	CONTROL 2	A35	→ 1002
21	← 130A1	CKWD	A36	← 1002
19	→ 24C6	DATA	A37	→ 1002
21	← 130B2	EOC	A38	← 1002
10	← 42B5	ADAPTER SEL	A39	← 1002
22	← 61D12	START	A40	← 1002
15	← 101B3	DUR IN	A41	← 1002
21	← 130C3	AD + UNSF	A42	← 1002
21	← 130D4	SKE	A43	← 1002

Replaced by Dwg. No. _____
 due to ECN _____
 Replaces Dwg. No. _____
 Design Check _____
 Dwg. Office Check _____
 Drawn by _____
 Designed by *LFL* / *Martins* 74
A/S REGNENCENTRALEN

Unit	DCC 701	Plug 1002; signal cross reference	DCC 701
Dwg. No.	R 10833		27

3C 006 1/8 1/2



Replaced by Dwg. No.
due to ECN
Replaces Dwg. No.
Design Check
Dwg. Office Check
Drawn by
Designed by UFL 18-8-74
A/S REGNENCENTRALEN

Unit DCC 701	6A Line register	DCC 701 28
Dwg. No. A 10859		

A/S REGNENCENTRALEN