

RCSL : 44-RT 848

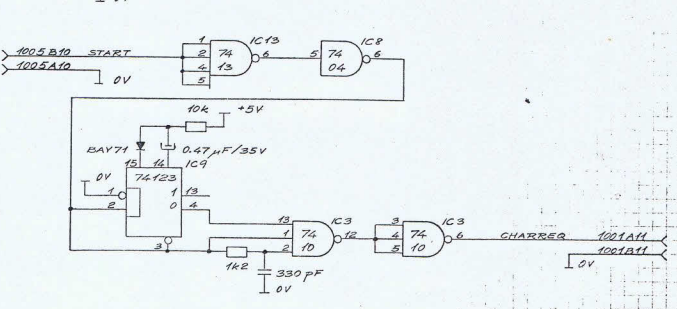
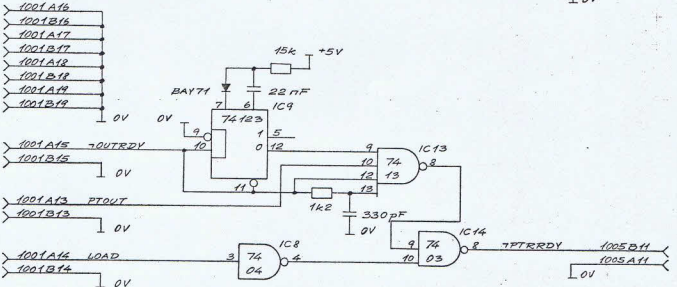
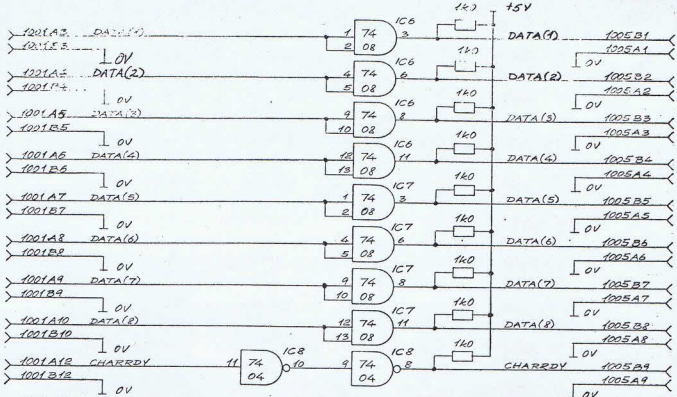
Author: Aage Jørgensen

Edited: June 1974.

PTI 501 INTERFACE MANUAL.

Keywords: Paper tape reader, PTR 500, PTI 501.

Abstract: Logic diagram for the PTR 500 interface, PTI 501.



Revised by Dwg. No. 7426.04-007

Replaces Dwg. No. 7426.04-007

Design Check

1. Check

Dwg. No. 7426.04-007

Drawn by

Designed by

RECENTRALEN

Unit	PT 1504
Dwg. No.	RC 500 INTERFACE FOR RC 7000
Rev.	R 10/10

45107  
45602  
18200

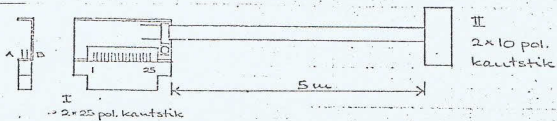
Kablet skal afbarkes 10cm fra Connector II

Connector I : KANTSTIK 2x25 POL. LODDE

Connector II : KANTSTIK 2x10 POL. LODDE

Cable : HKP-S-K 10 x 2 x 0,20mm<sup>2</sup> w. shield. 5 meter

I PIN		II PIN	
B1		B8	CHAN 1
B2		A7	CHAN 2
B3		B7	CHAN 3
B4		A6	CHAN 4
B5		A5	CHAN 5
B6		B4	CHAN 6
B7		A4	CHAN 7
B8		A2	CHAN 8
B9		B10	CHARRDY
A9		A10	0 VOLT
B10		B3	CHARREQ
A10		B5	0 VOLT
B11		A9	7 PTRRDY
	shield		
	shield		



RCSL 44-RT 415

CBL 103