

RCSL : 44-RT 1621

Date : 76.08.27

Author : Jens Michaelsen

DRAWINGS FOR
DCA 701

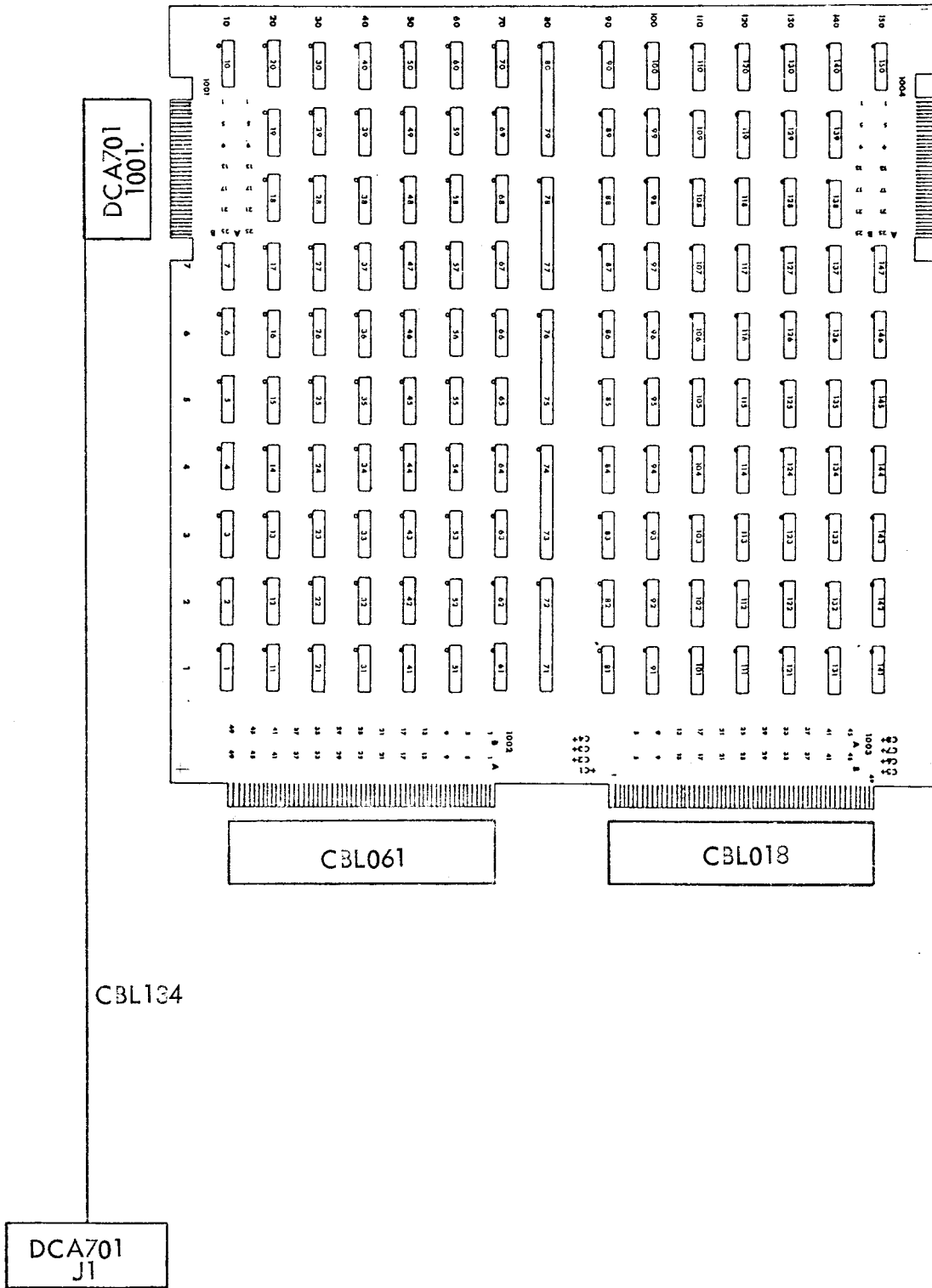
Keywords: CHS 701, Disk cartridge adapter

Abstracts: Drawings for the disk cartridge adapter DCA 701 which are used with DCD 701 and DCC 701.

CONTENTS

PAGE

Assembly drawing	1
Cable CBL 134	2
Timing diagrams	3
Logic drawings	5



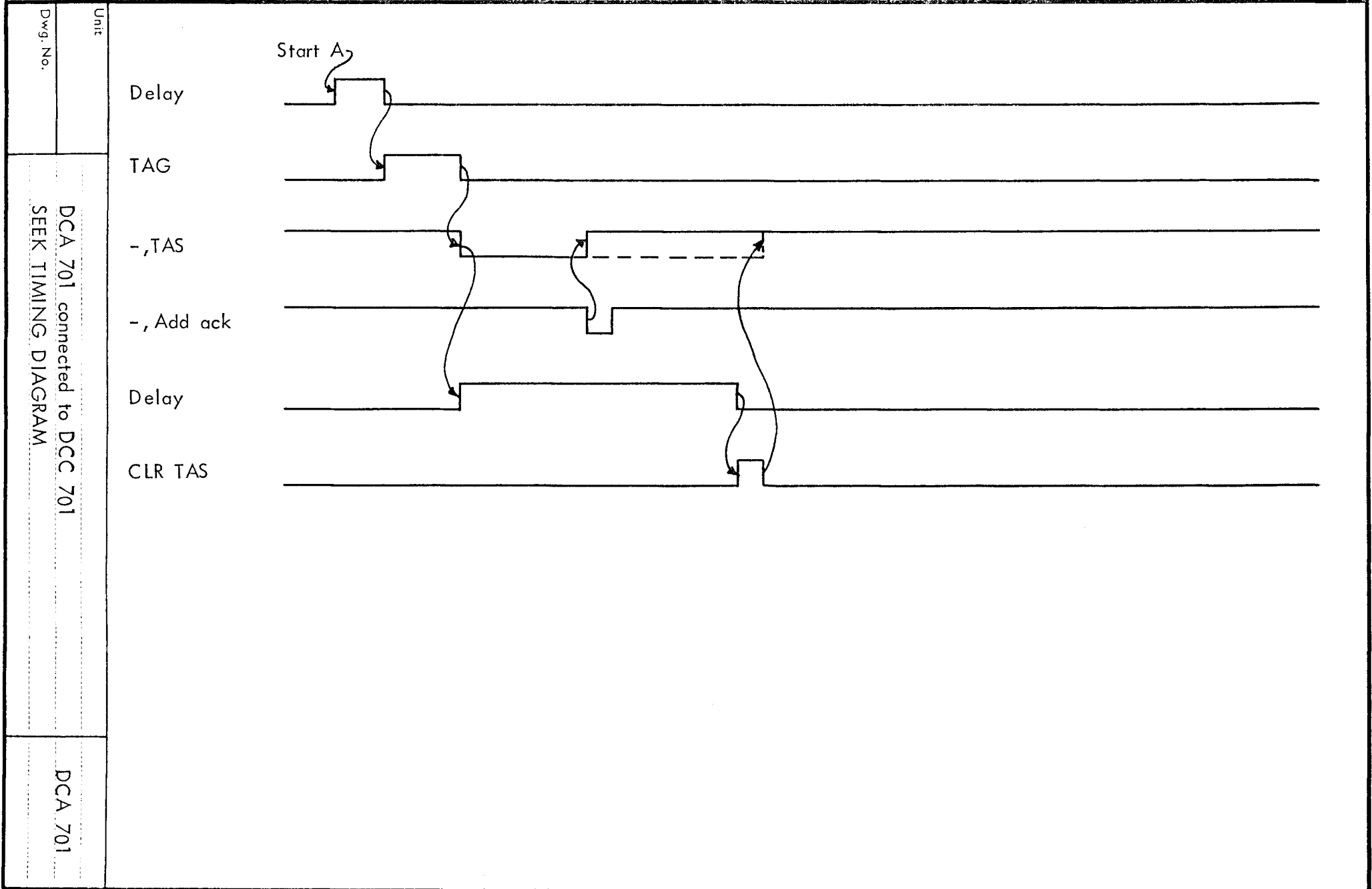
741007 UFL

Connector 1001	Gen. addr.	Signal Name	Connector DCA701-J1	Connector 1001	Gen. addr.	Signal Name	Connector DCA701-J1
A 1		Write protect status	1	A14		Sector address 1	53
B 1		Head select	3	B14		Track address 2	55
A 2		Atten 0	5	A15		Sector address 2	57
B 2		Select drive 3	7	B15		Track address 1	59
A 3		Erase gate	9	A16		Sector address 4	61
B 3		Select drive 2	11	B16		0V	63
A 4		Atten 2	13	A17		Sector address 8	65
B 4		Select drive 1	15	B17		0V	67
A 5		Indeks marks	17	A18		0V	69
B 5		Select drive 0	19	B18		0V	71
A 6		Sector address 16	21	A19		Sector marks	73
B 6		Strobe	23	B19		0V	75
A 7		Atten 1	25	A20		Atten 3	99
B 7		Restore	51	B20		0V	97
A 8		Drive ready	49	A21		Address acknowledge	95
B 8		Track address 128	47	B21		0V	93
A 9		Write check	45	A22		+5V	91
B 9		Track address 64	43	B22		0V	89
A10		Read clock	41	A23		Write data and clock	87
B10		Track address 32	39	B23		0V	85
A11		Read data	37	A24		Read gate	83
B11		Track address 16	35	B24		0V	81
A12		Seek incomplete	33	A25		Write gate	79
B12		Track address 8	31	B25		0V	77
A13		Ready to seek, read or write	29			Chassis	
B13		Track address 4	27			Chassis	

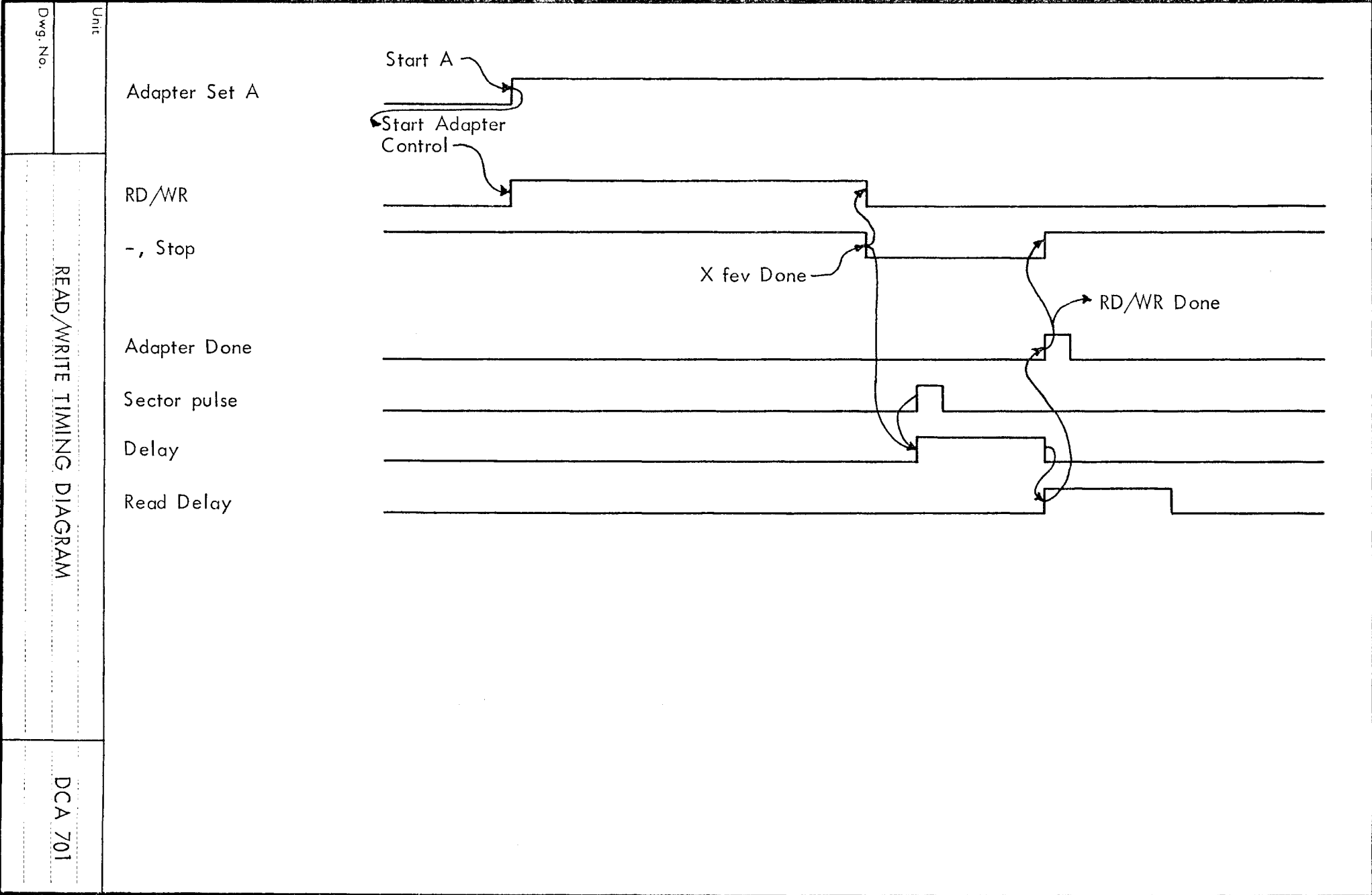
J1 connector number's 2 → 100 are
connected to 0V 1001

CBL 134

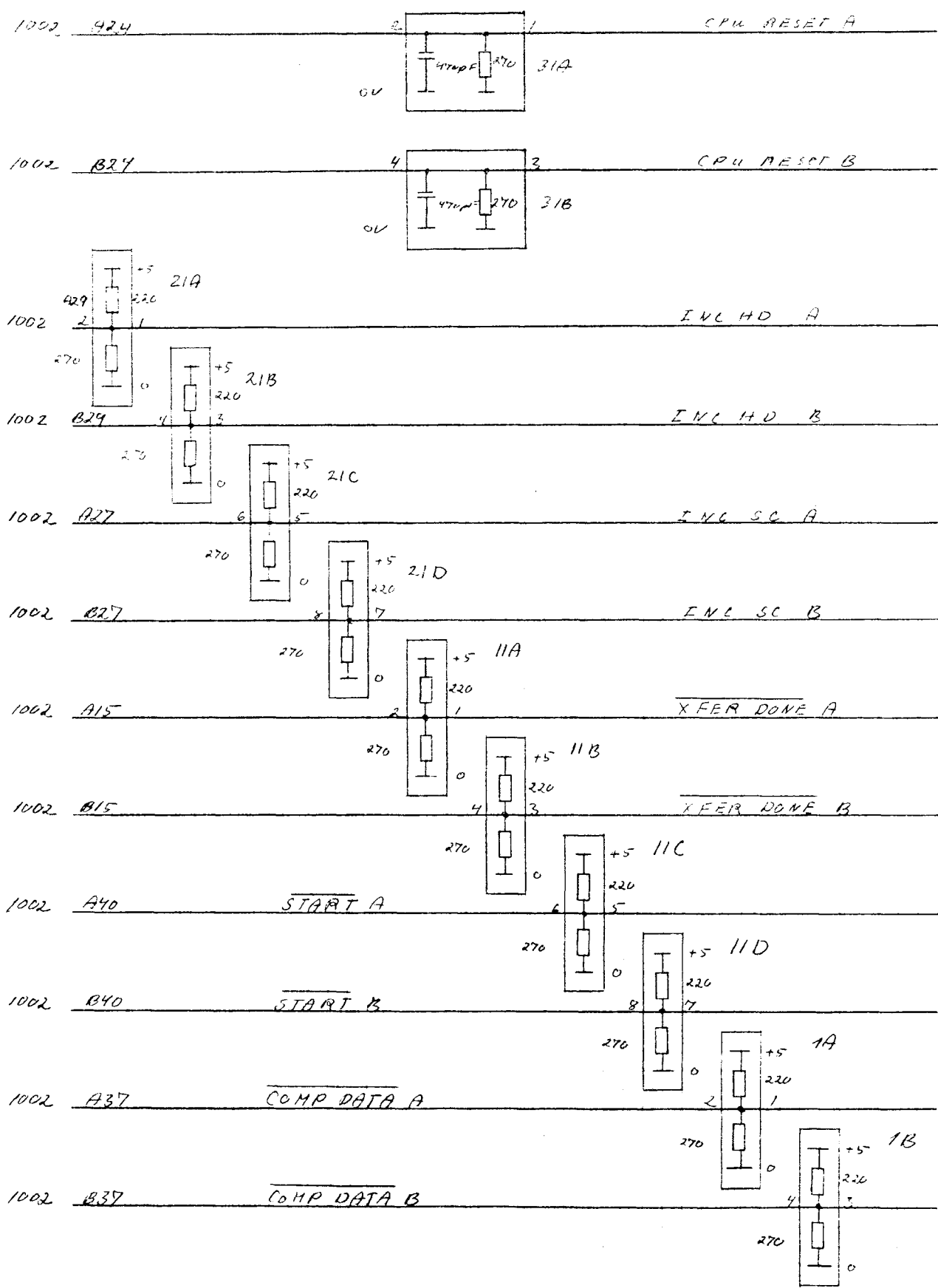
A/S REGNECENTRALEN	Designed by	Drawn by	Dwg. Office Check	Design Check	Replaces Dwg. No.	due to ECN	Replaced by Dwg. No.
	741009 UFL	741009 AOB					



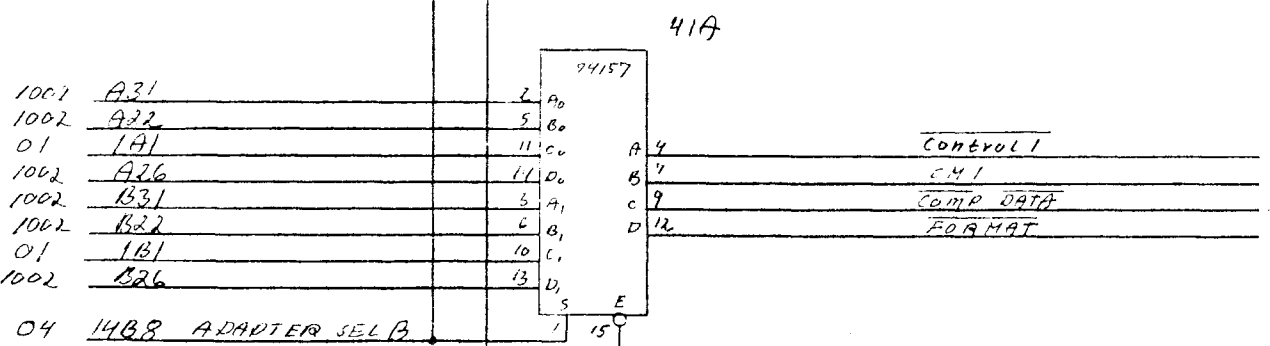
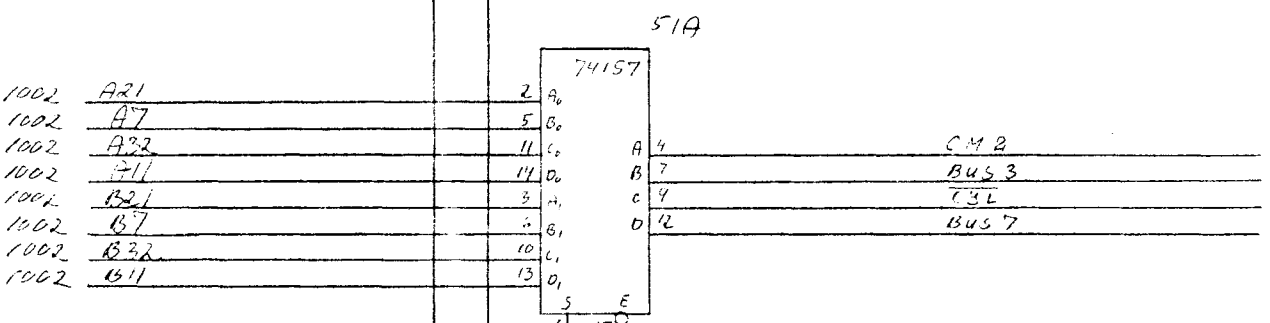
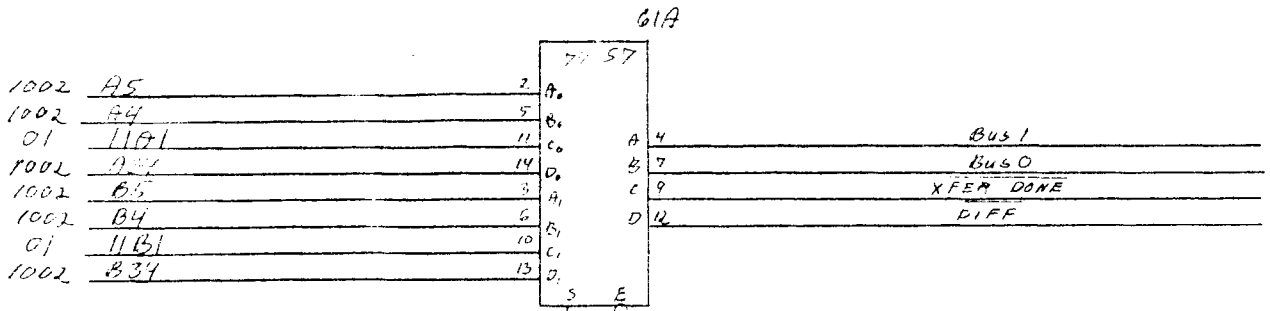
A/S REGNECENTRALEN	Designed by	Drawn by	Dwg. Office Check	Design Check	Replaces Dwg. No.	due to ECN	Replaced by Dwg. No.
	741009 UFL	741009 AOB					



Replaced by Dwg. No. due to ECN Replaces Dwg. No. Design Check Dwg. Office Check Drawn by Designed by MFL/HMTS 774
 A/S REGNENTRALEN



Unit DCA 701	Signal termination.	DCA 701 01
Dwg. No. R 10785		

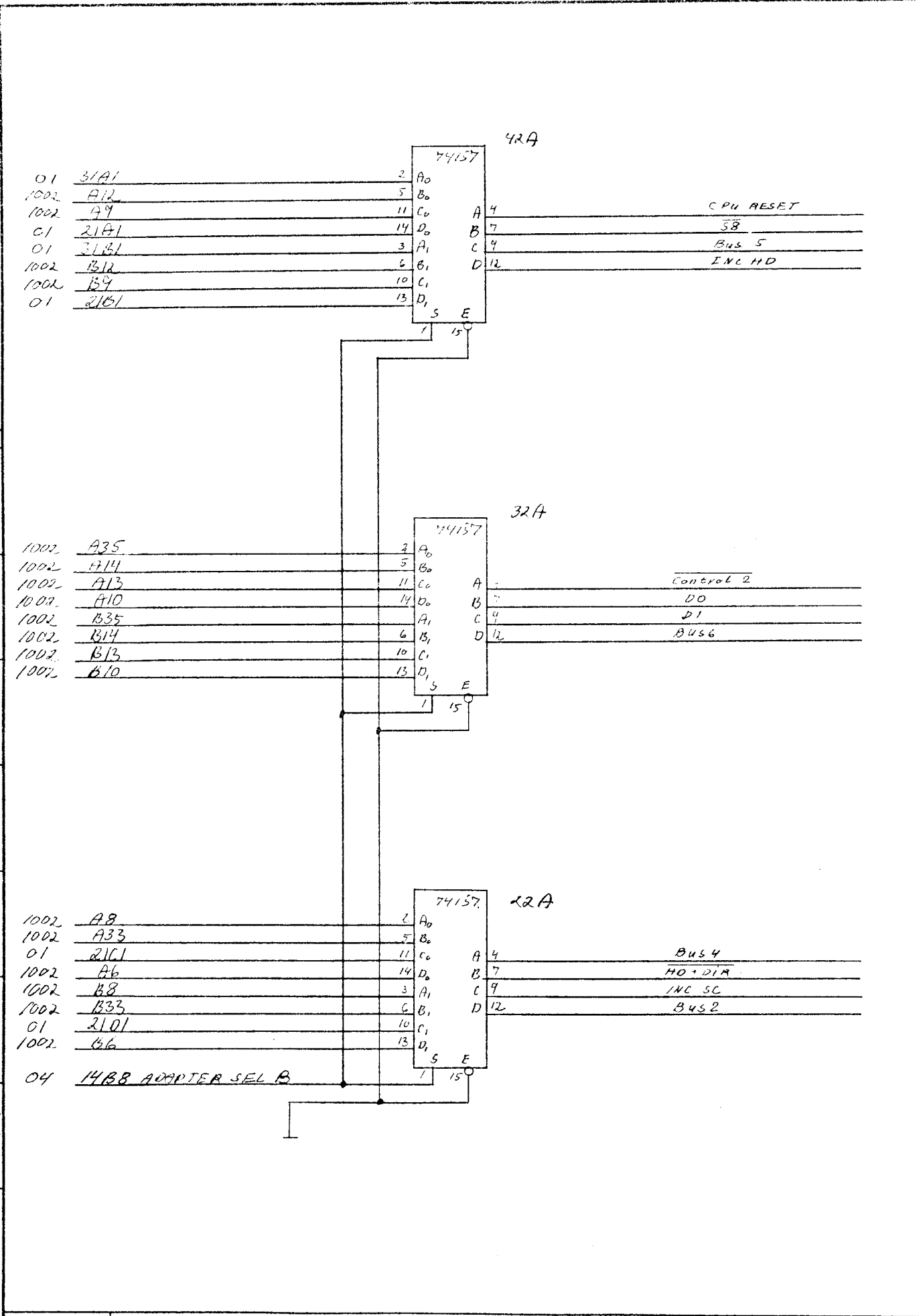


Replaced by Dwg. No. _____
 due to ECN _____
 Replaces Dwg. No. _____
 Design Check _____
 Dwg. Office Check _____
 Drawn by _____
 Designed by MFL
 Marks '74
 A/S REGNENCENTRALEN

Unit OCA 701	Two stat multiplexer	OCA 701 02
Dwg. No. R 10786		

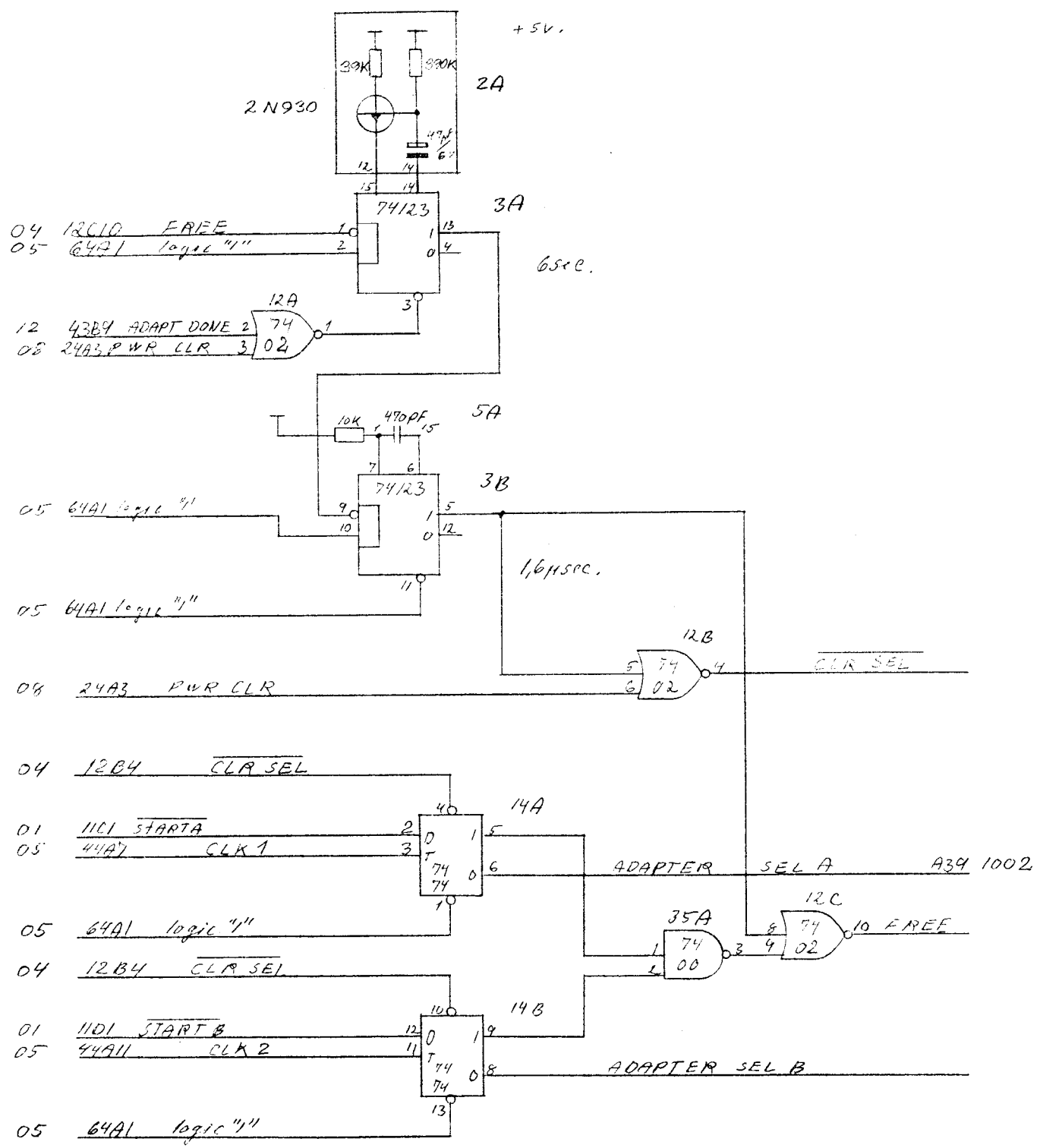
RC doc. VB 149

Replaced by Dwg. No.	due to ECN	Replaces Dwg. No.	Design Check	Dwg. Office Check	Drawn by	Designed by
						MONTIS 74



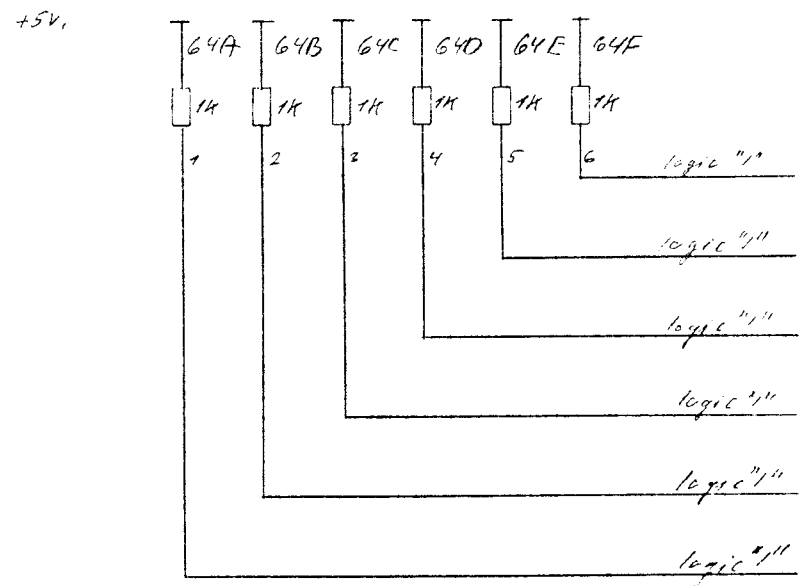
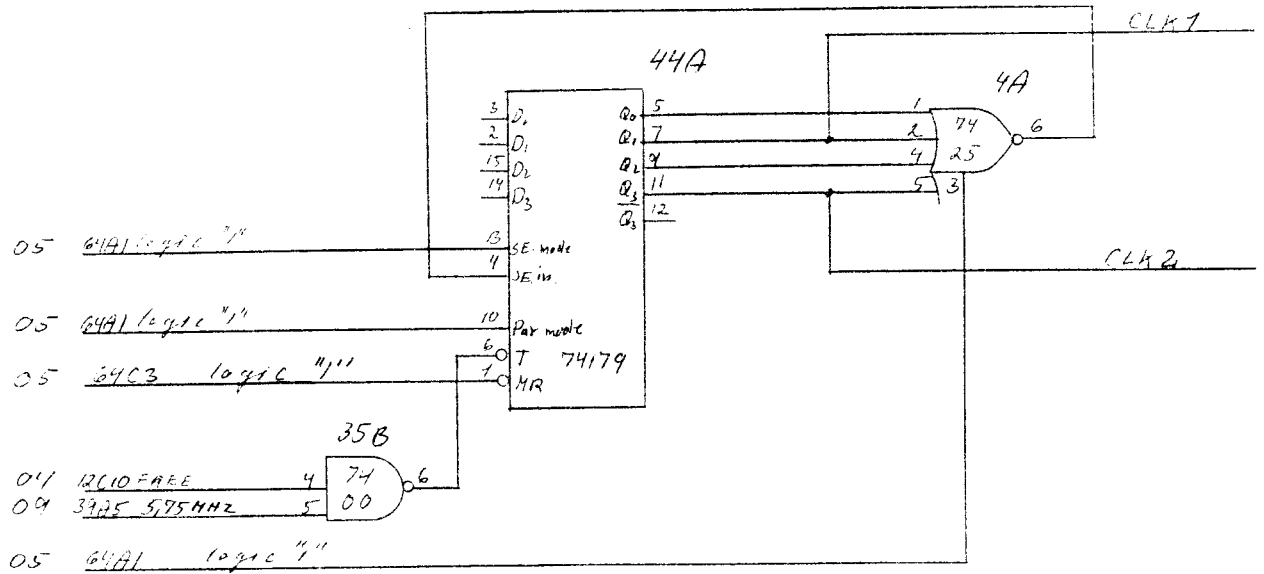
Unit	DLA 701	Two state multiplexer	DLA 701
Dwg. No.	R10787		03

Replaced by Dwg. No.
 due to ECN
 Replaces Dwg. No. **R 10 788**
 Design Check
 Dwg. Office Check
 Drawn by
 Designed by **MFL**
Marks 7/4
AIS REGNENTRALEN



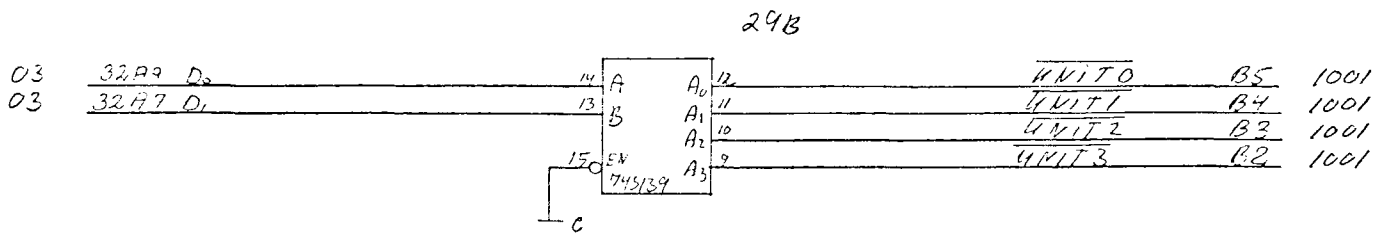
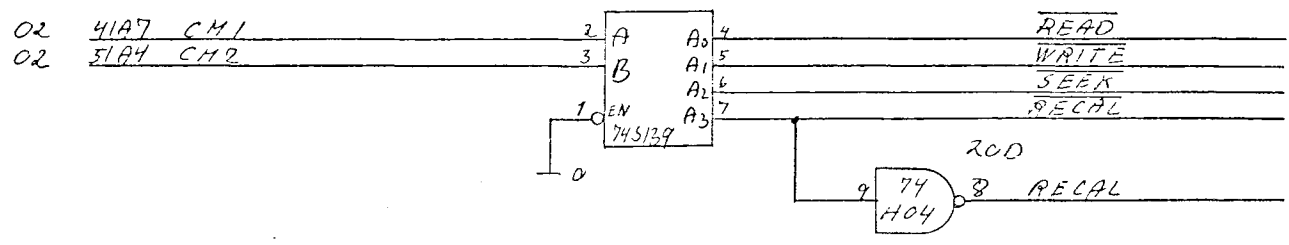
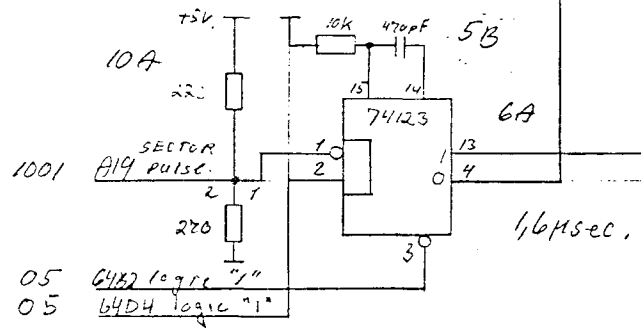
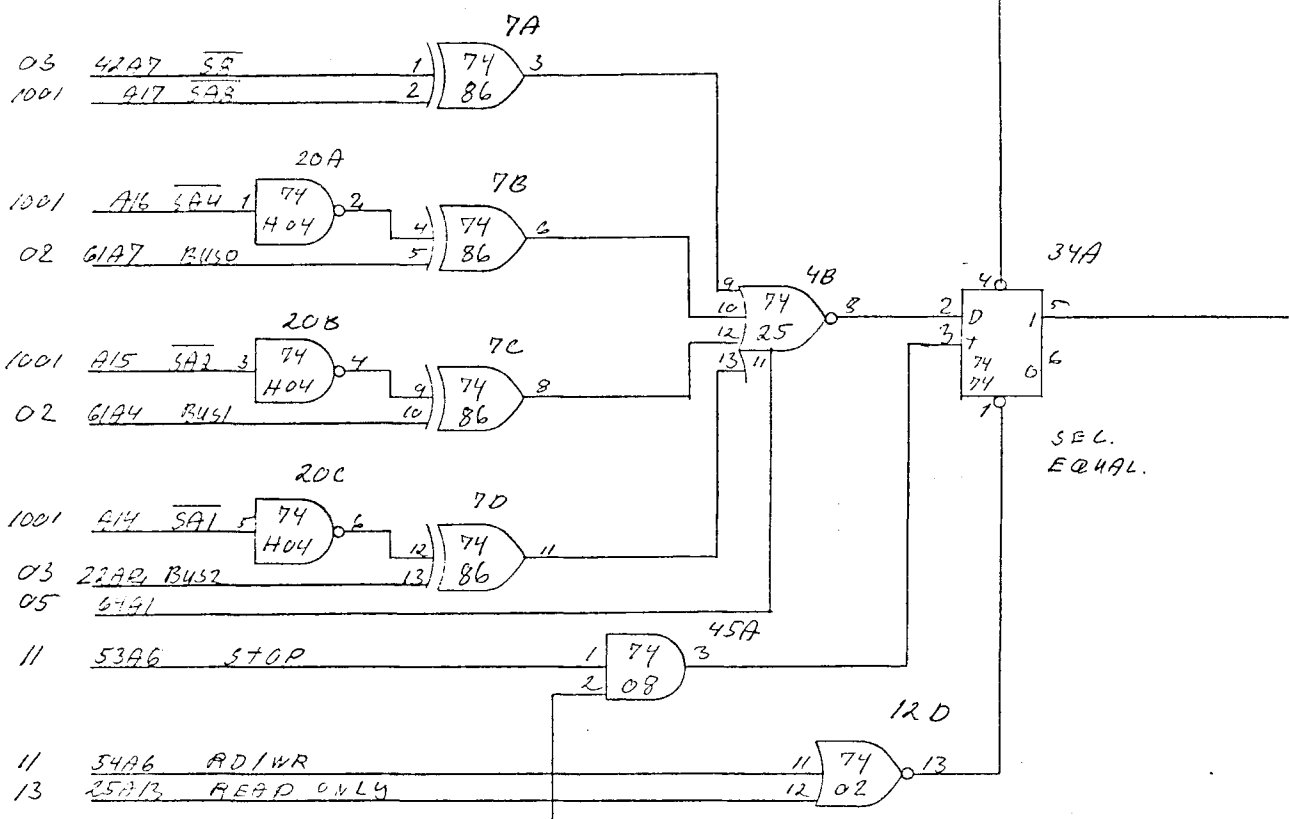
Unit DCA 701	ADAPTOR SELECTION.	DCA 701 04
Dwg. No. R 1 595		

Replaced by Dwg. No. _____
 due to ECN _____
 Replaces Dwg. No. _____
 Design Check _____
 Dwg. Office Check _____
 Drawn by _____
 Designed by *WEL*
Mart's 74
A/S REGNENCENTRALEN
 Unit *DCA 701*
 Dwg. No. *R10789*



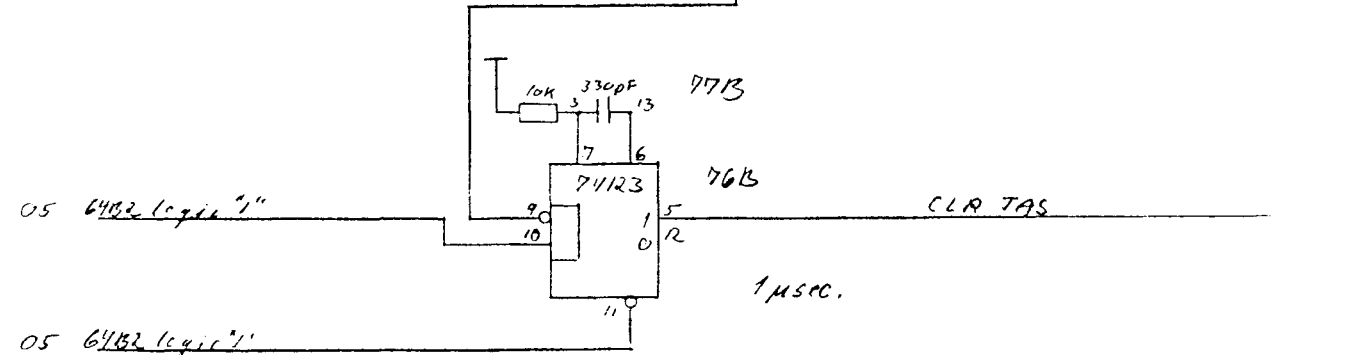
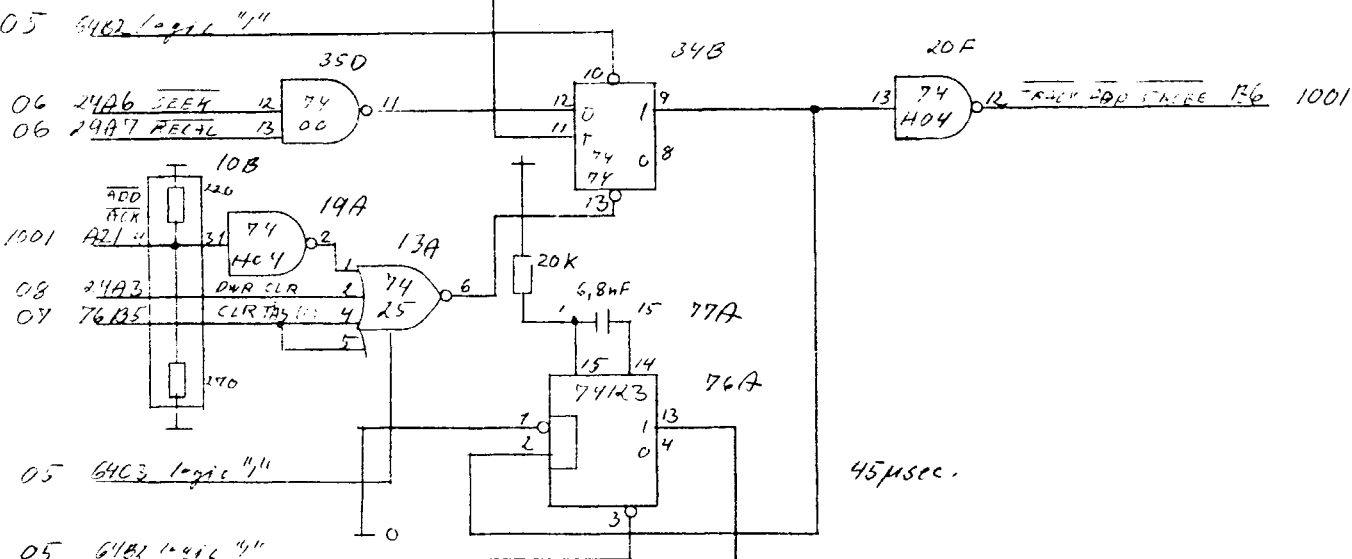
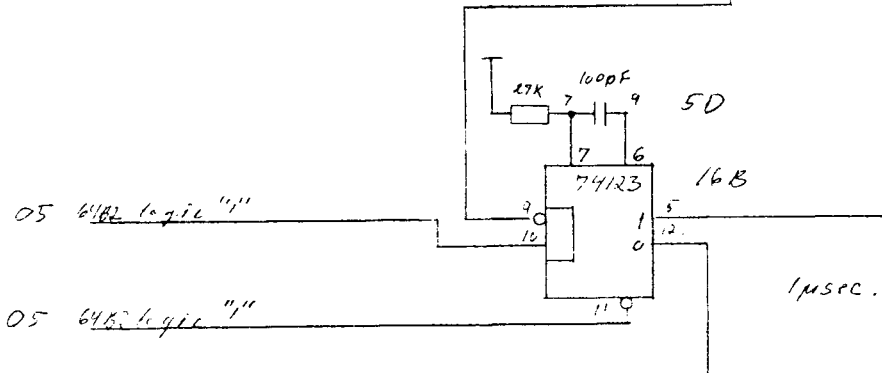
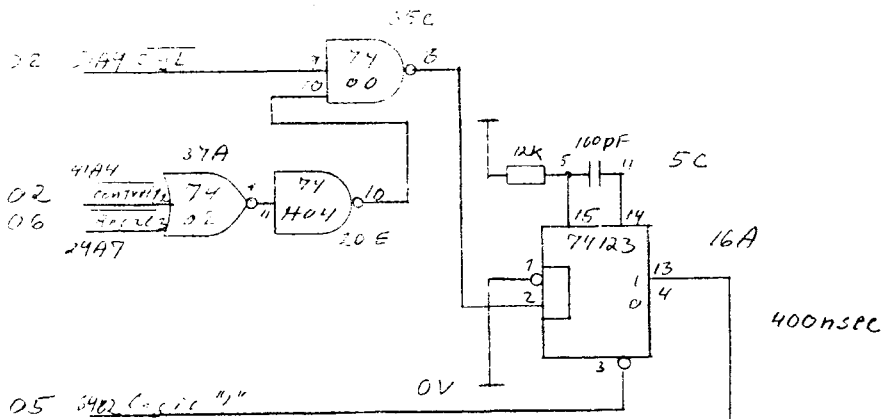
Unit	<i>DCA 701</i>	Clock	<i>DCA 701</i> 05
Dwg. No.	<i>R10789</i>		

05 64B3 logic "1"



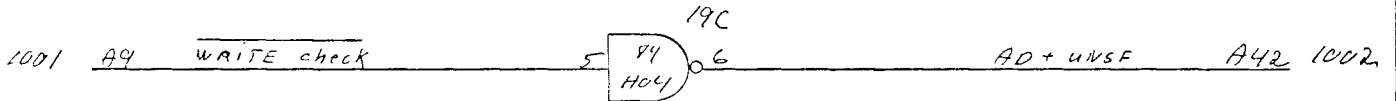
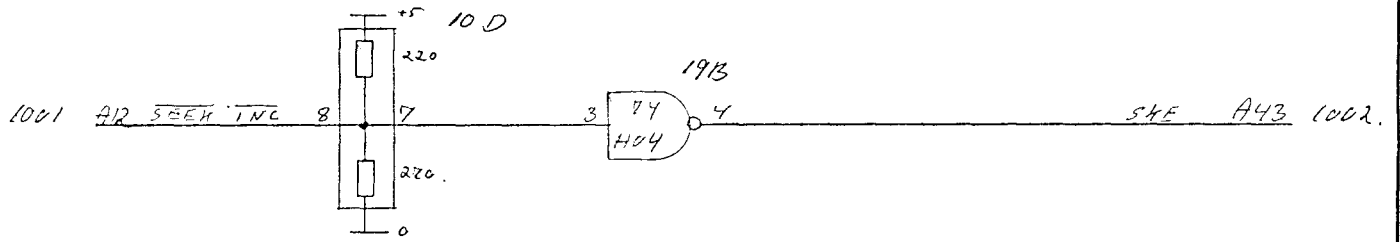
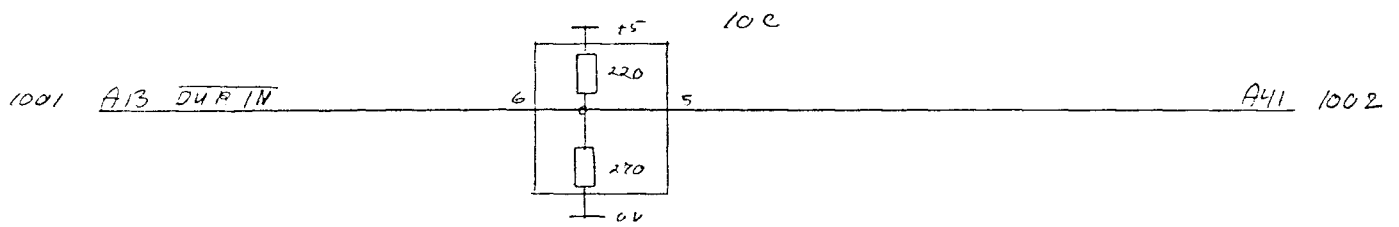
ECENTRALE
 Designed by L.F.C. Harts 74
 Drawn by
 Dwg. Off
 eck
 Design Check
 Replaces Dwg. No.
 due to ECN
 f
 d by Dwg. No.

Unit	DCA701	Logic	DCA701
Dwg. No.	R12174		06

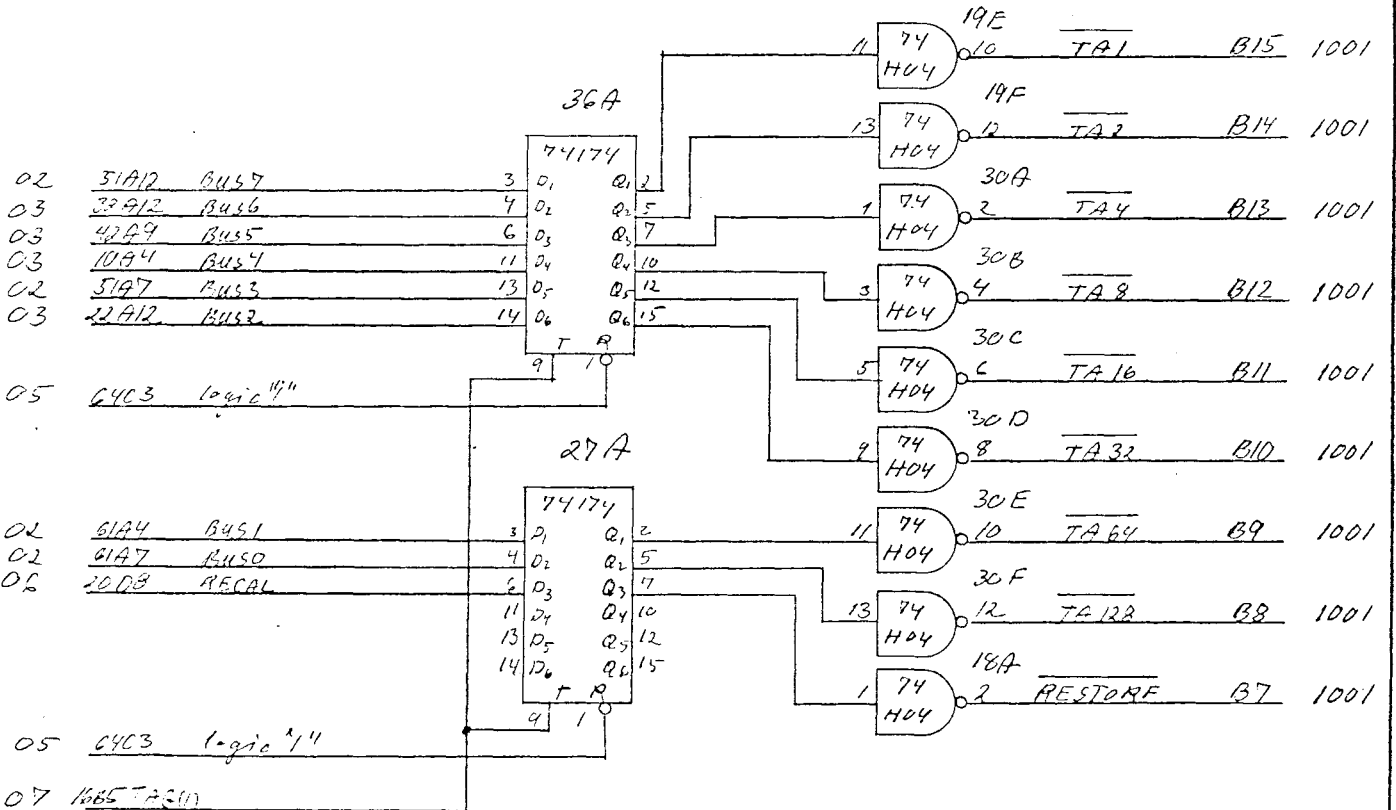


Replaced by Dwg No. _____
 due to ECN _____
 Replaces Dwg No. _____
 Design Check _____
 Dwg. Office Check _____
 Drawn by _____
 Designed by AFL _____
 MARYS 74
 A/S REGNENCENTRALEN

Unit DCA 701	Timing	DCA 701 07
Dwg. No. R10791		



03 42A4 CPU RESET PWA CLR

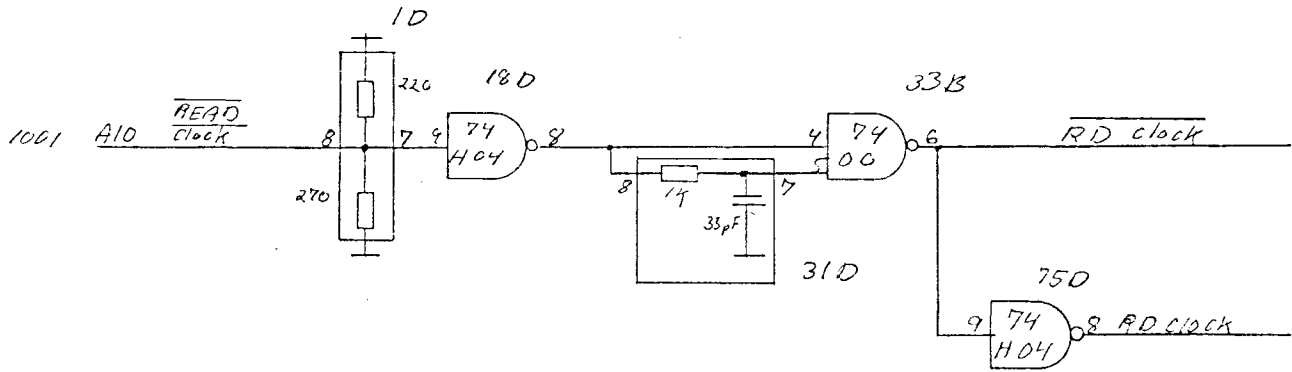
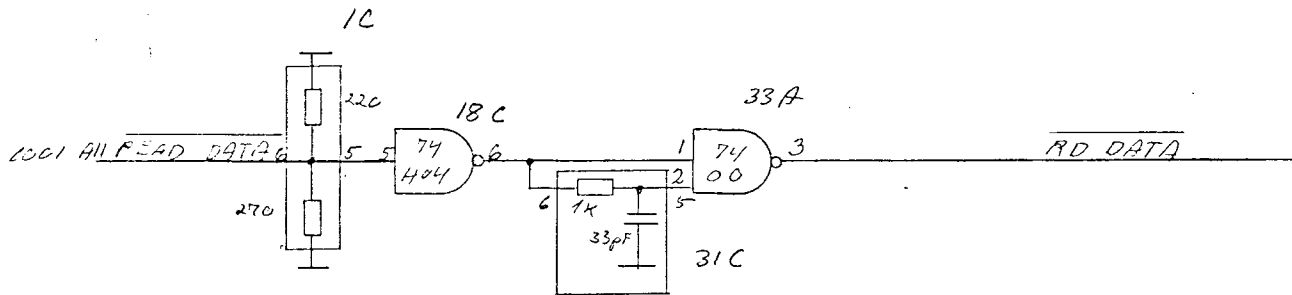
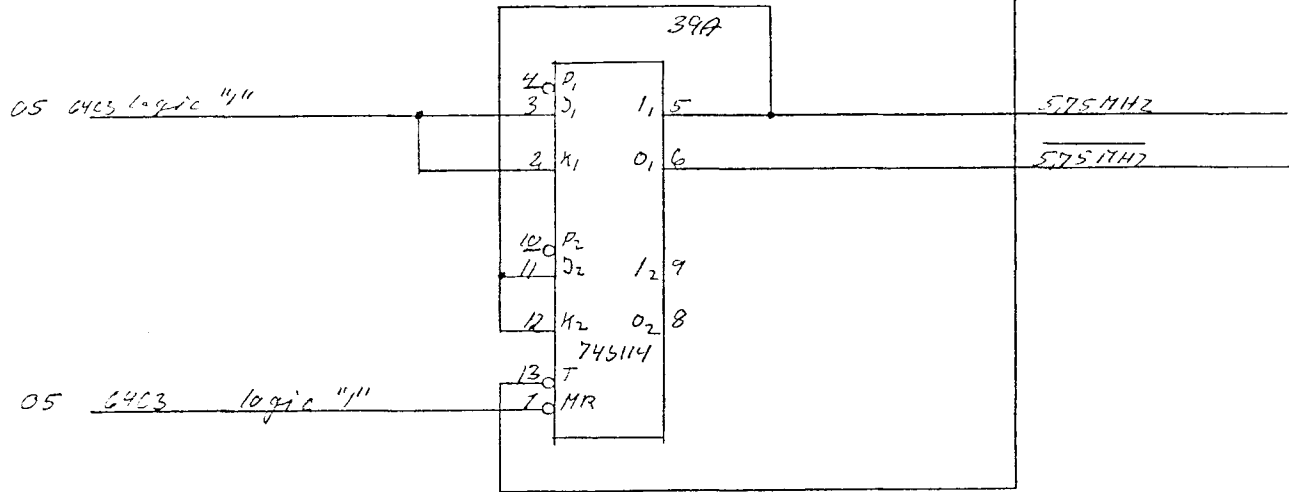
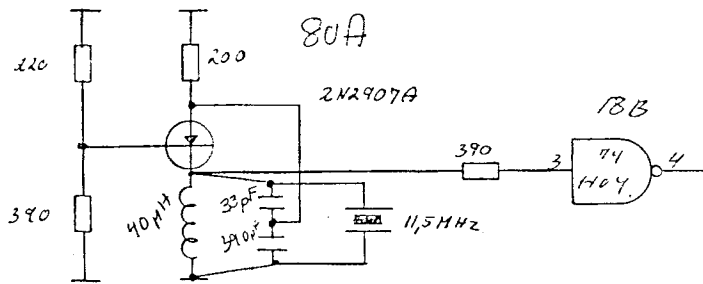


02	31A12	BUS7	3	D ₁	Q ₁	2
03	32A12	BUS6	4	D ₂	Q ₂	5
03	42A9	BUS5	6	D ₃	Q ₃	7
03	10A4	BUS4	11	D ₄	Q ₄	10
02	51A7	BUS3	13	D ₅	Q ₅	12
03	22A12	BUS2	14	D ₆	Q ₆	15
05	64C3	logic 14"	9	T	R	
02	61A4	BUS1	3	D ₁	Q ₁	2
02	61A7	BUS0	4	D ₂	Q ₂	5
02	20D8	RECAL	2	D ₃	Q ₃	7
05	64C3	logic 14"	11	D ₄	Q ₄	10
07	16B5	TA3(1)	13	D ₅	Q ₅	12
			14	D ₆	Q ₆	15

ECENTRALEN
 Designed by IFEZ
 Marks 74
 Drawn by
 Dwg. Off
 eck
 Design Check
 Replaces Dwg. No.
 due to ECN
 R
 d by Dwg. No.

Unit	DCA 701	Track address register	DCA 701
Dwg. No.	R12175		08

IN THE V8 140
 A/S RE



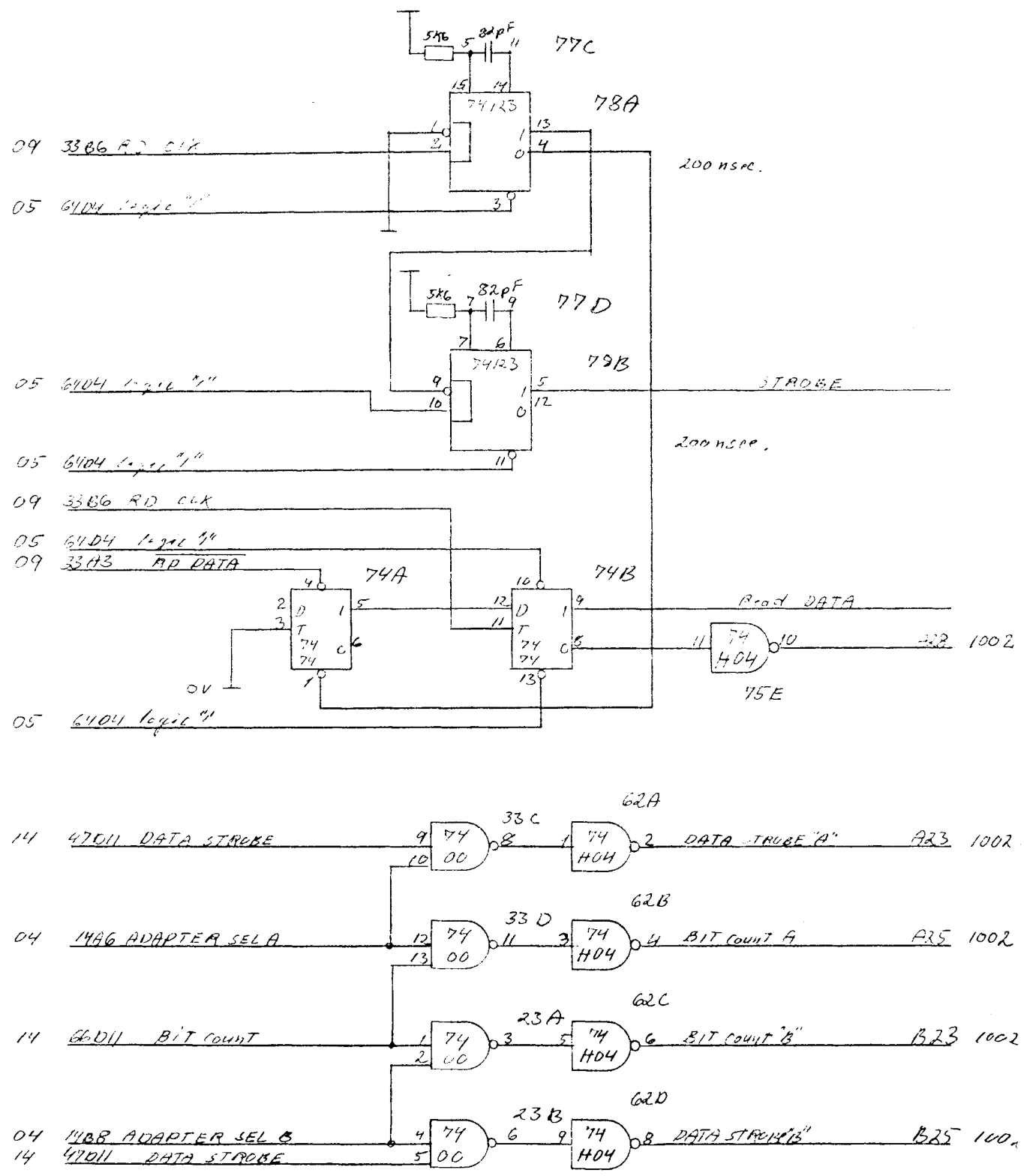
k .ed by Dwg. No. _____
 due to ECN _____
 Replaces Dwg. No. _____
 Design Check _____
 check _____
 Dwg. Of _____
 Drawn by _____
 Designed by *HFL*
Marty's 74

ECENTRALEN

Unit	DCA 701	clock and disc data.	DCA 701 09
Dwg. No.	R12176		

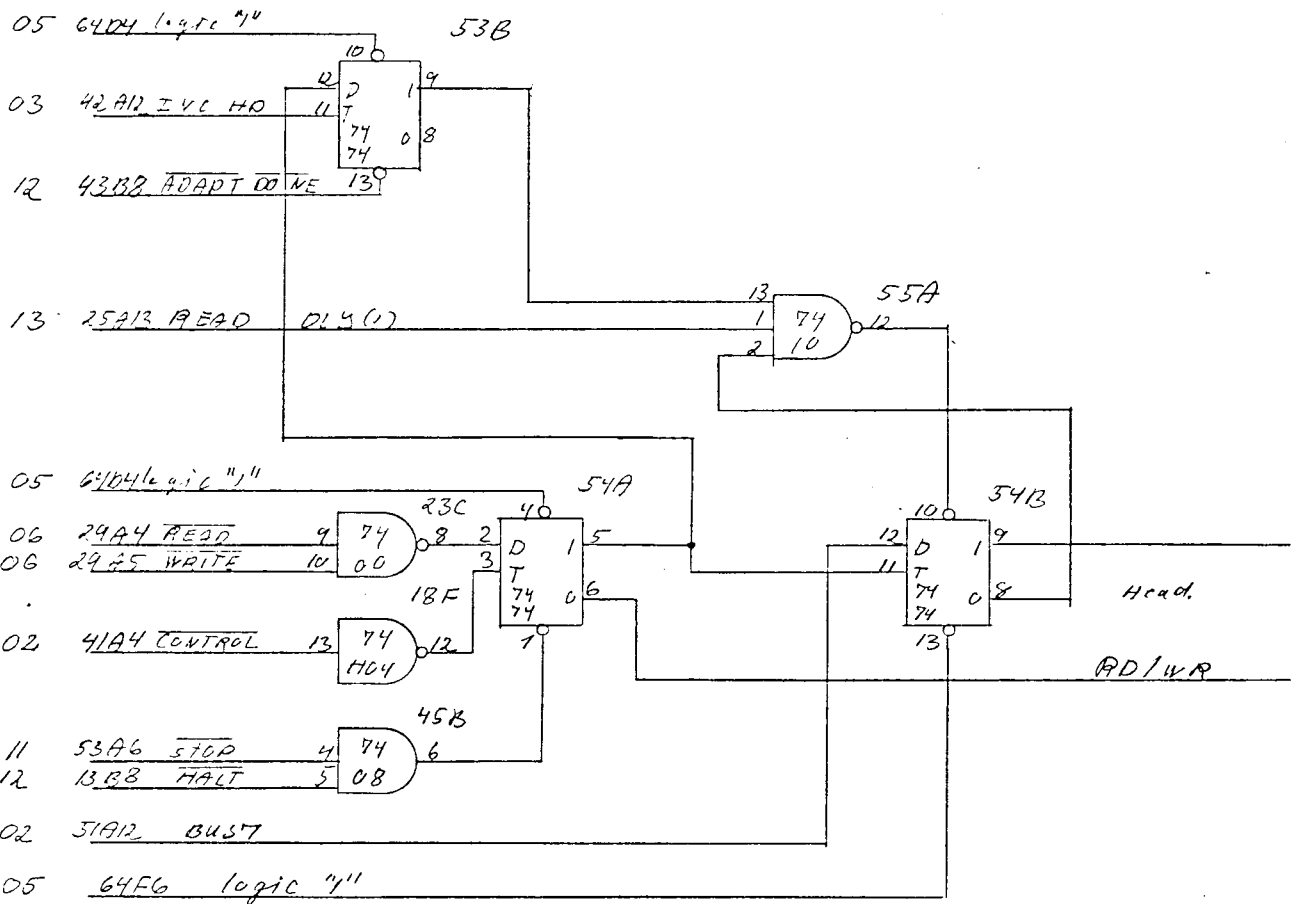
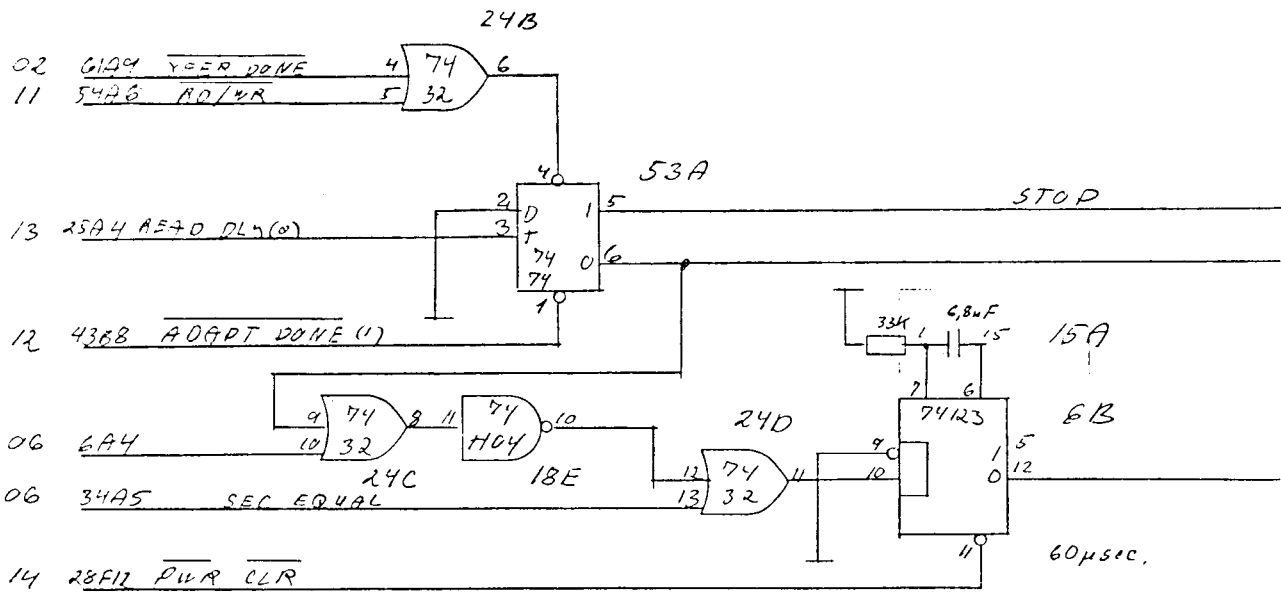
MS 100 VB 100

Replaced by Dwg. No. due to ECN
 Replaces Dwg. No.
 Design Check
 Dwg. Office Check
 Drawn by
 Designed by M.E.L.
 A/S REGNENCENTRALEN



Unit DCA 701	Timing and select	REP 701 10
Dwg. No. R10794		

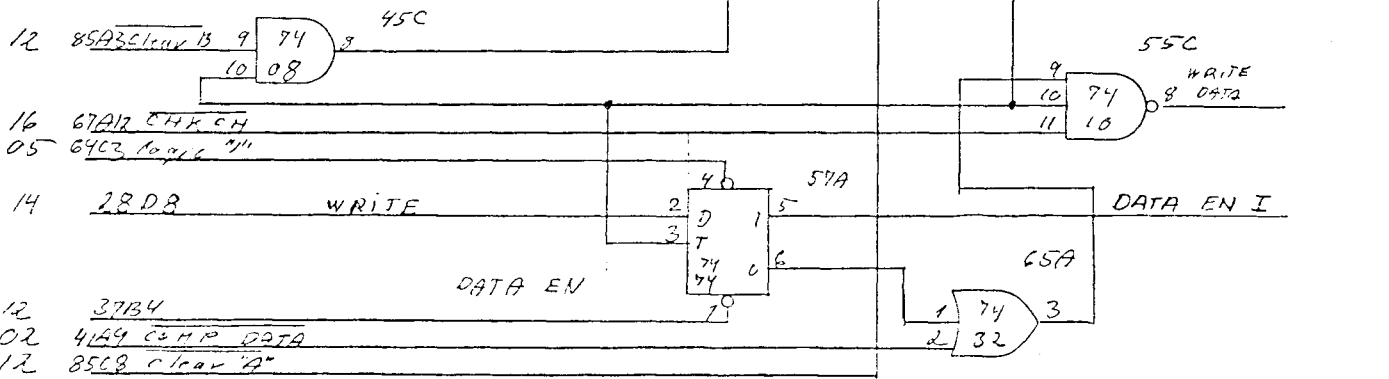
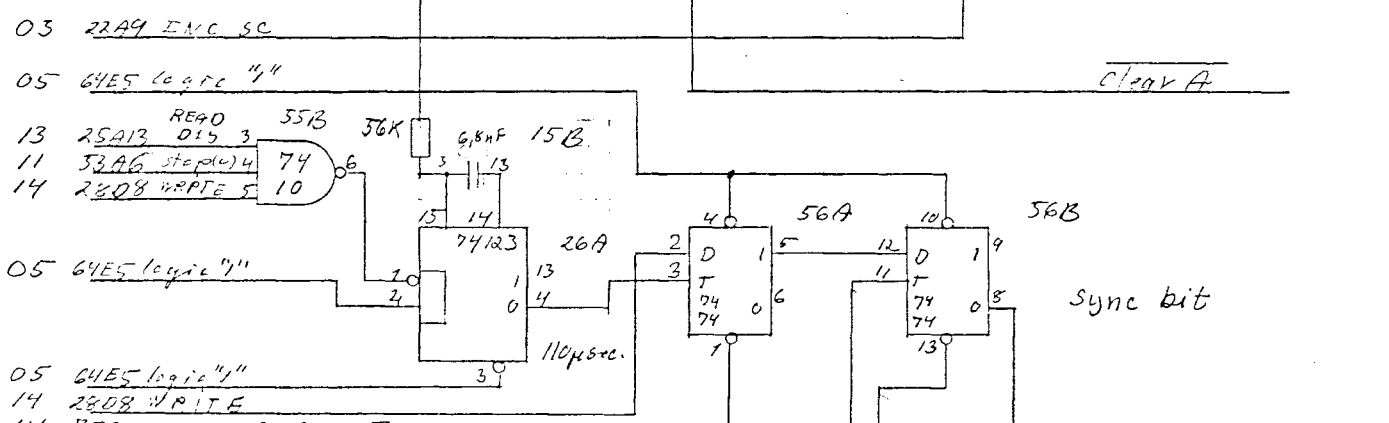
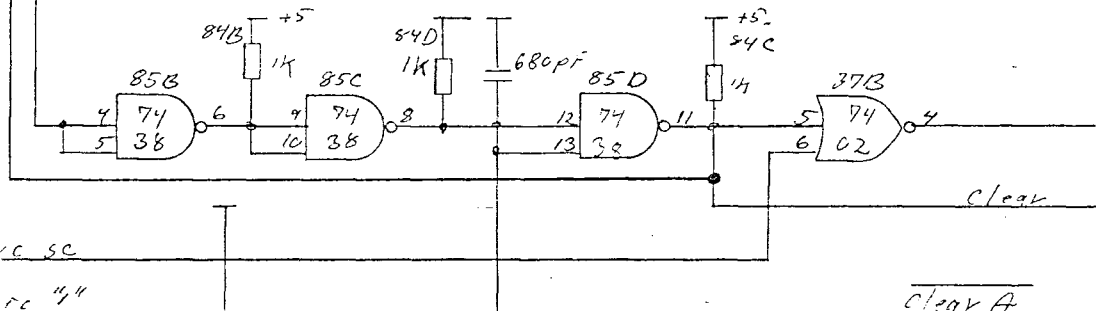
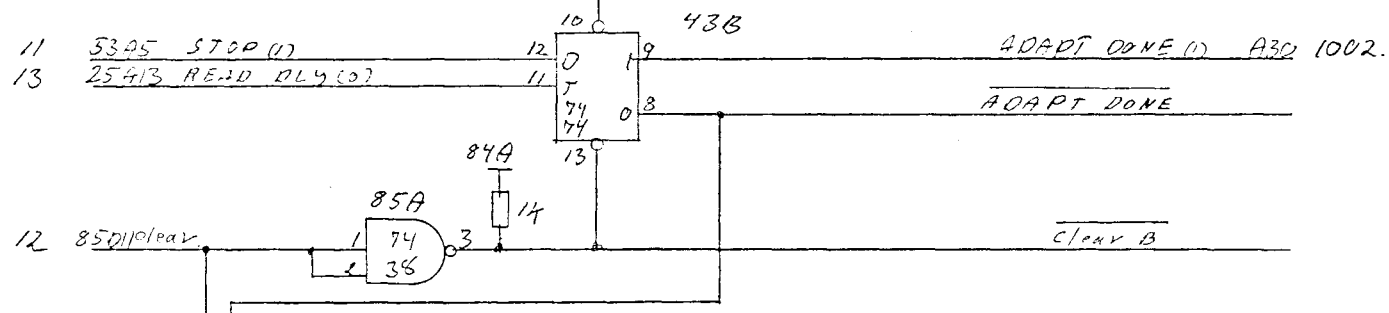
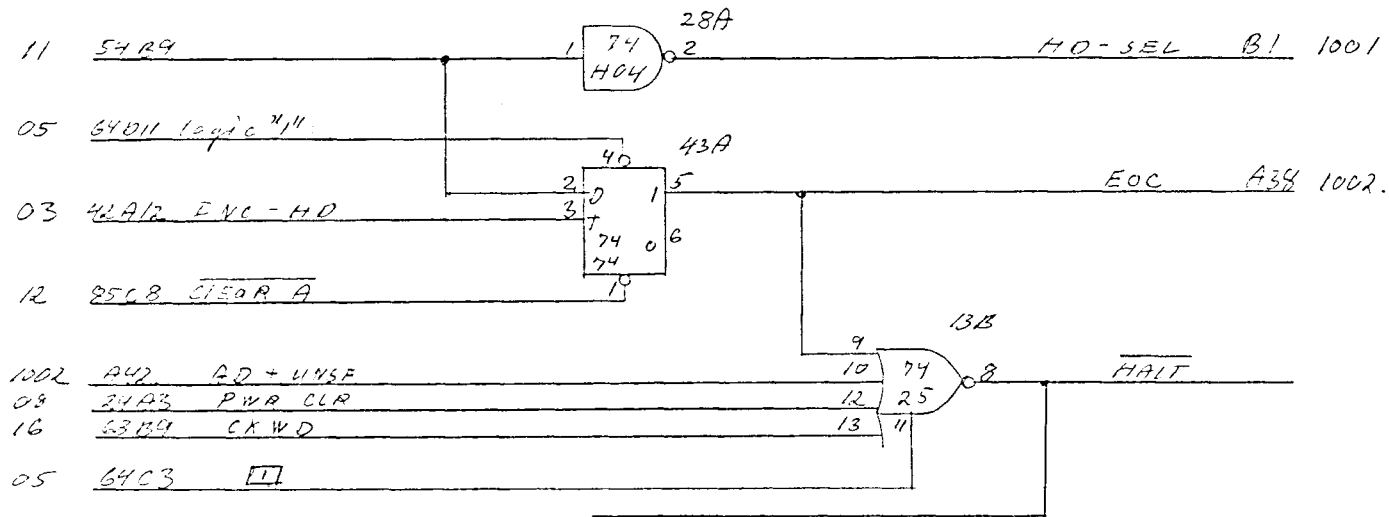
2.1.10.10.10



Replaced by Dwg. No. _____
 due to ECN _____
 Replaces Dwg. No. _____
 Design Check _____
 check _____
 Dwg. Off. _____
 Drawn by _____
 Designed by *YFL*
11/11/74

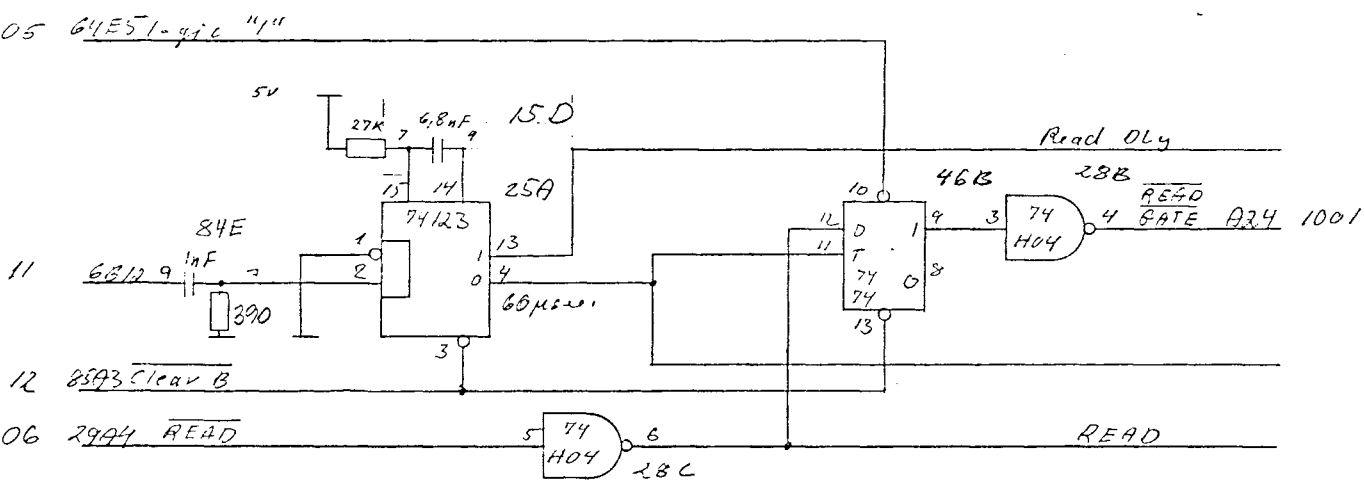
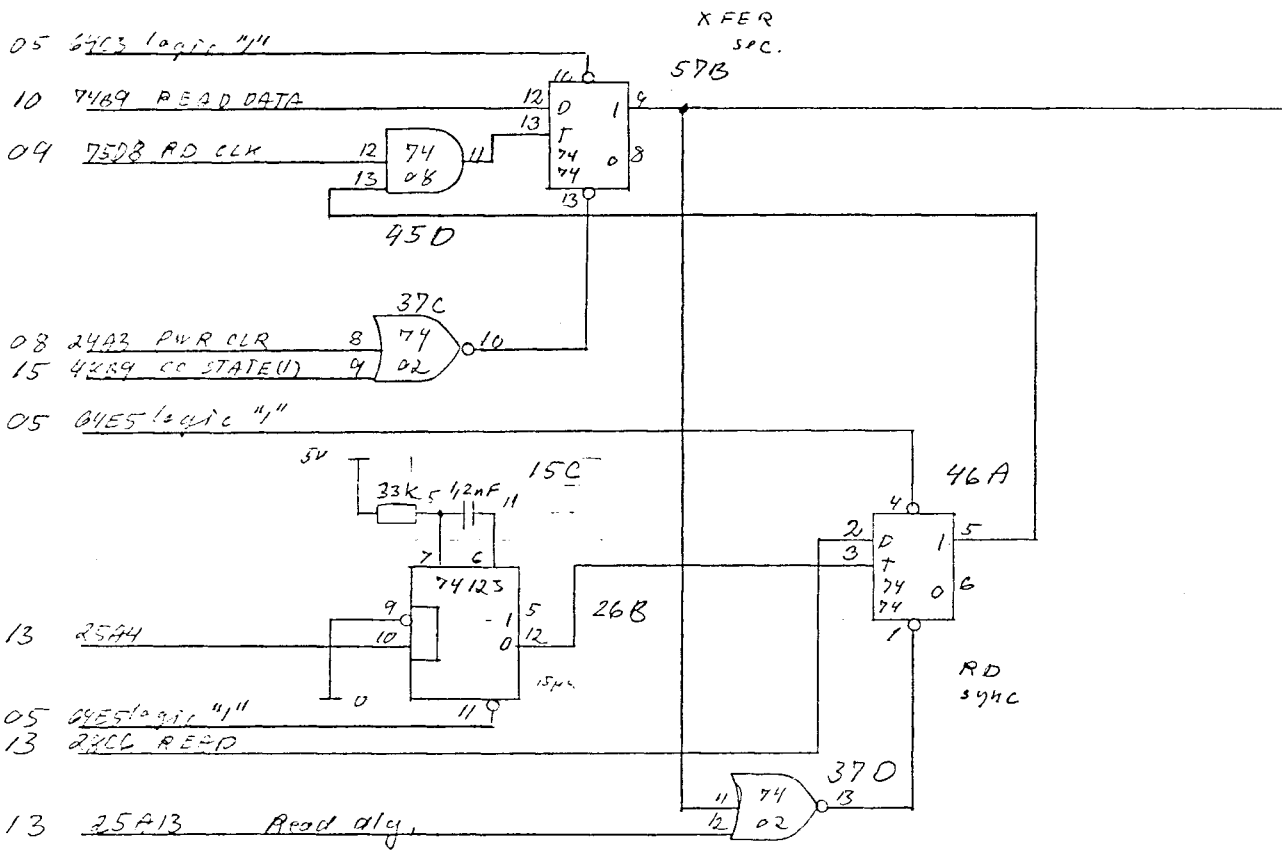
ECENTRALEN
 A/S RE

Unit	DCA 701	Read/Write logic	DCA 701
Dwg. No	R12/77		11



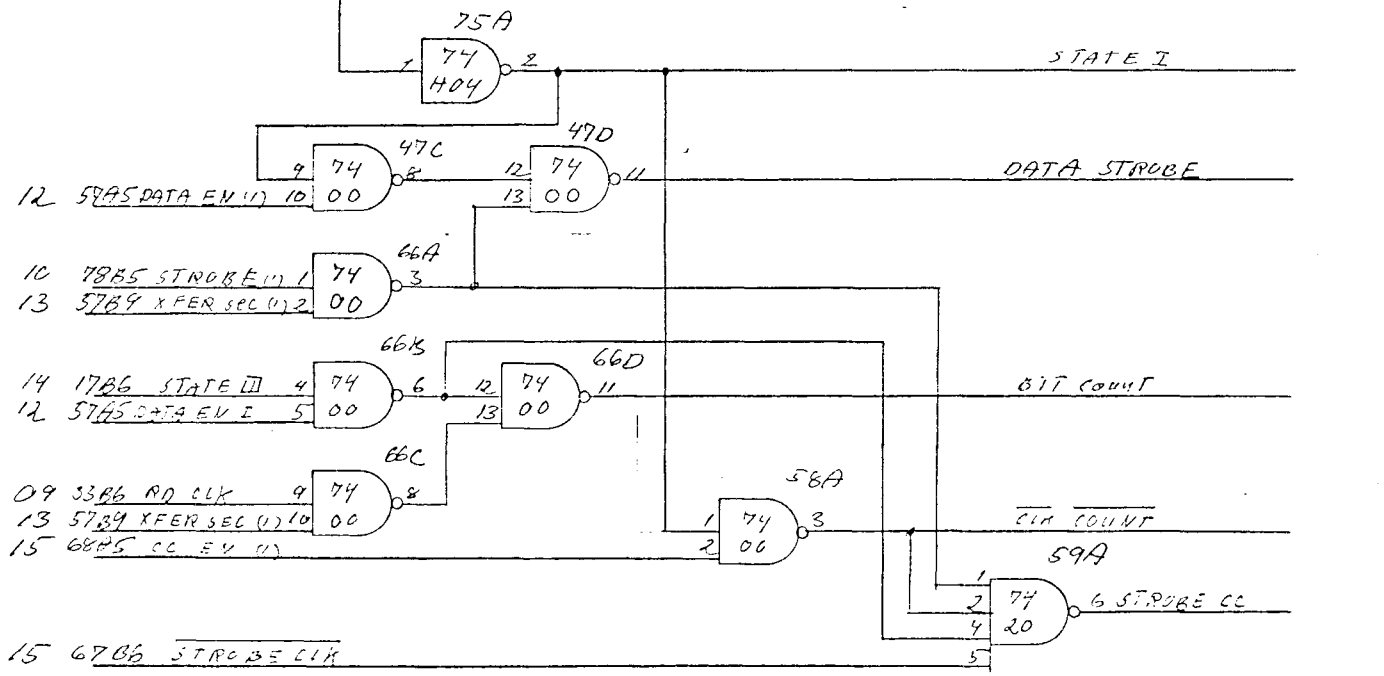
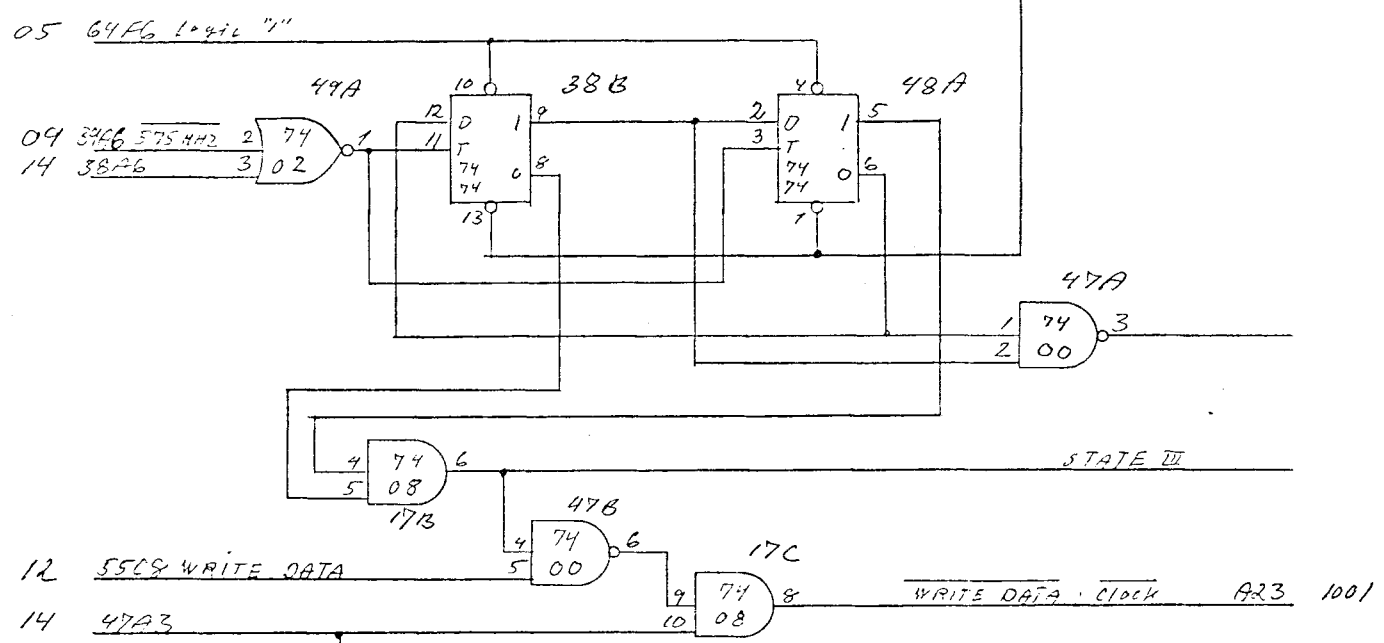
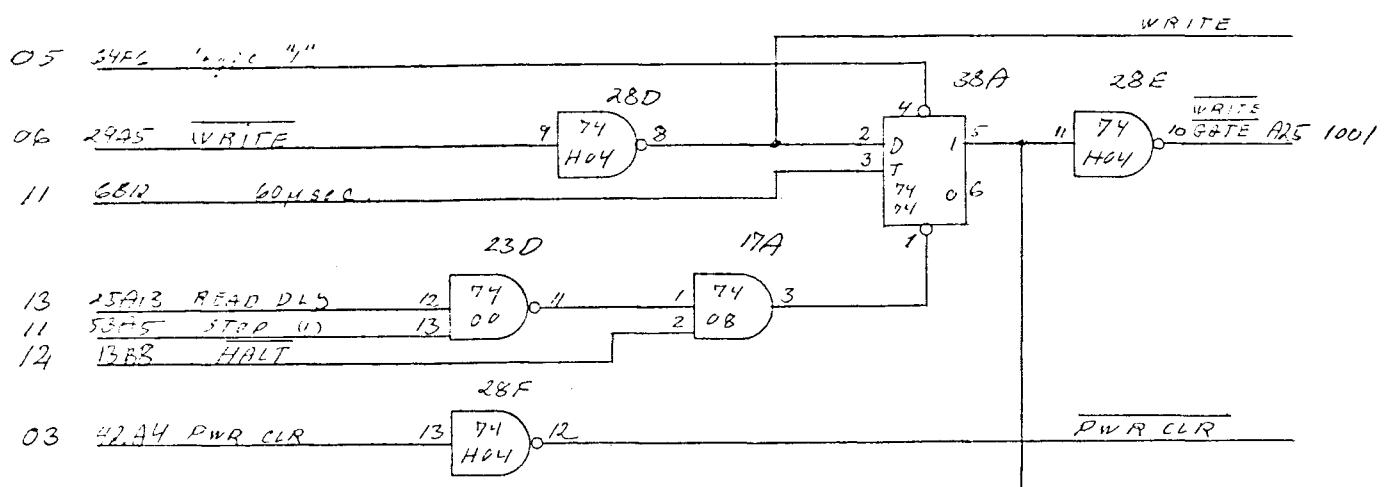
Unit: JCA 701
 Dwg. No. R12178
 A/S RE
 ECENTRALEN
 Designed by: MFL
 Drafts: 74
 Drawn by:
 Dwg. Off:
 check
 Design Check
 Replaces Dwg. No. due to ECN
 Issued by Dwg. No.

Unit	JCA 701	Read/Write logic	JCA 701
Dwg. No.	R12178		12



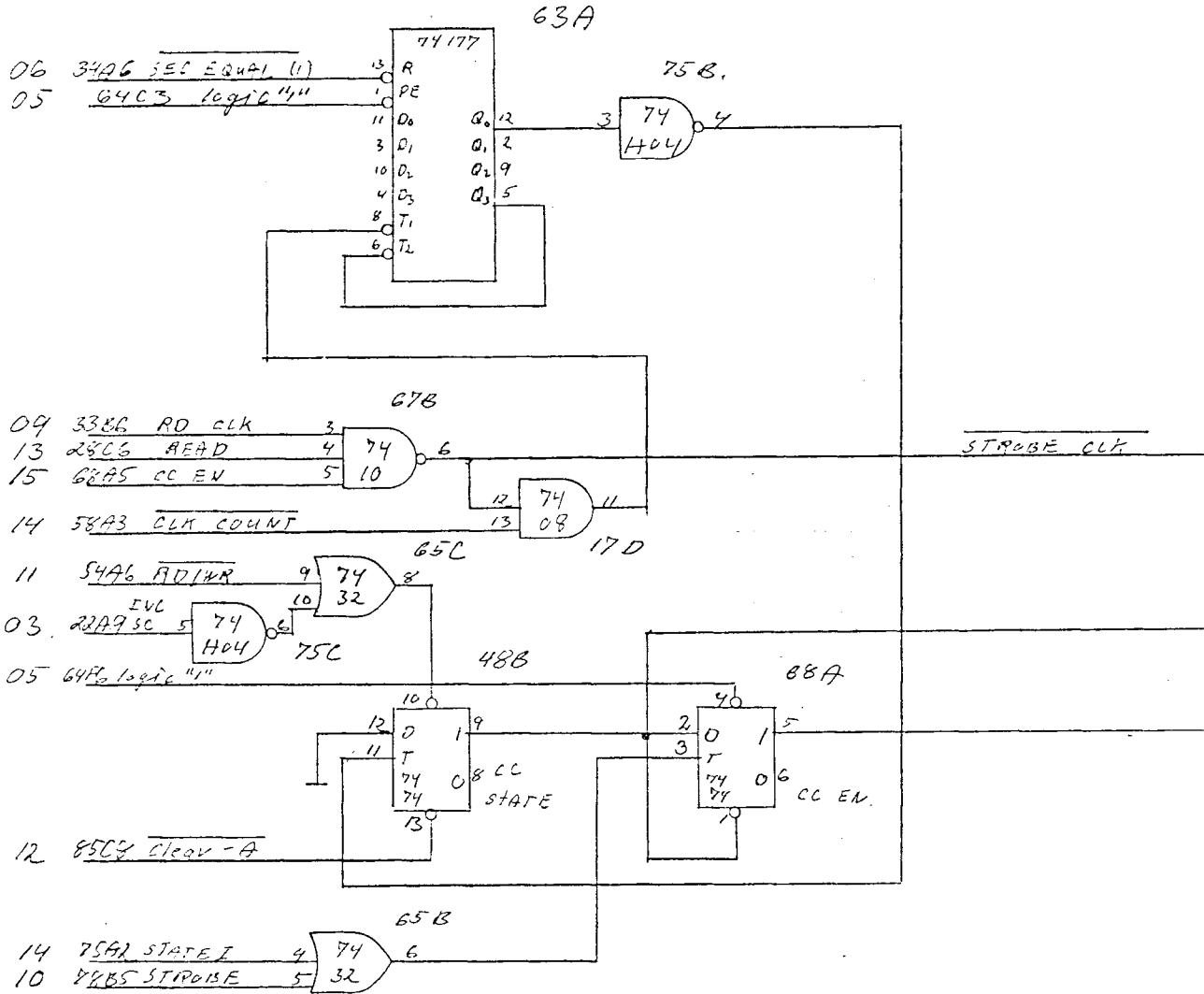
Replaced by Dwg. No. _____
 due to ECN _____
 Replaces Dwg. No. _____
 Design Check _____
 Dwg. Office _____
 Drawn by _____
 Designed by *11/2*
Marty 74
 CENTRALEN
 A/S REL

Unit <i>DCA 701</i>	<i>Read logic</i>	Unit <i>DCA 701</i>
Dwg. No. <i>R12179</i>		Dwg. No. <i>13</i>



Replaces Dwg. No. _____
 due to E.C.N. _____
 Design Check _____
 Dwg. Off. _____
 Drawn by _____
 Designed by *WFL*
Mark's 74
 ECENTRALEN

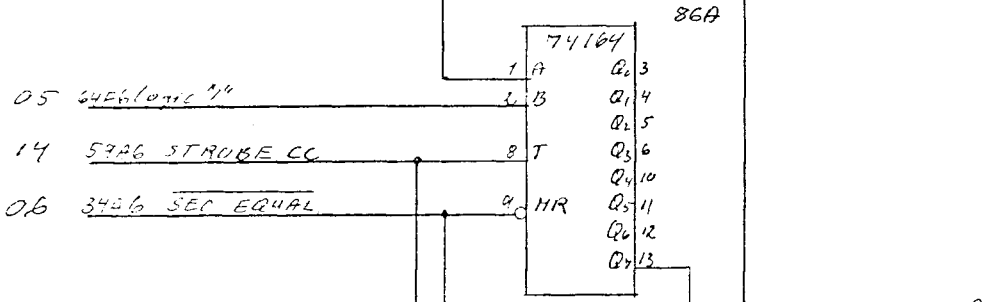
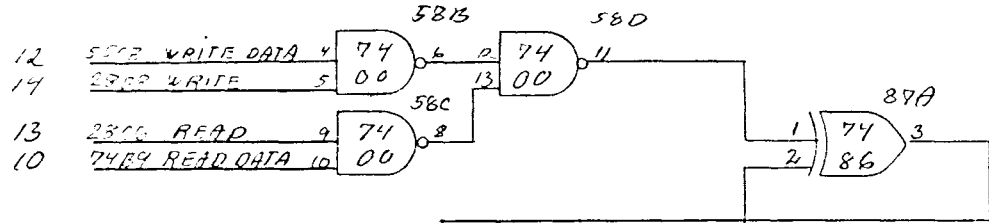
Unit	DCA 701	Read/Write logic	DCA 701
Dwg. No.	R12180		14



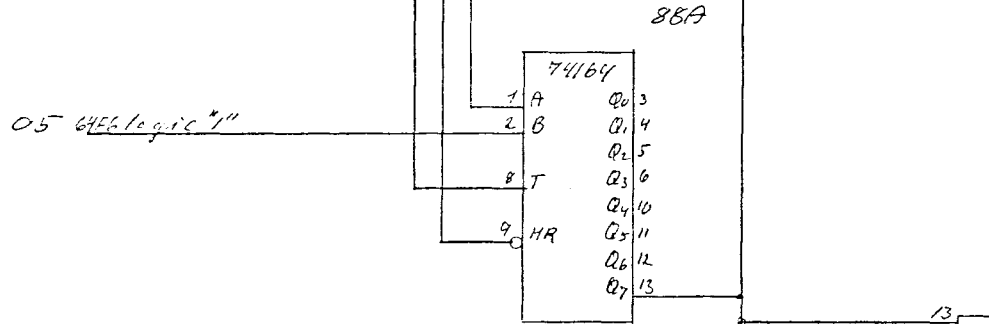
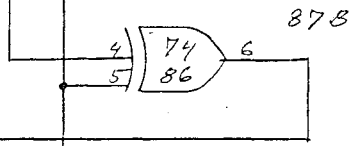
Replaced by Dwg. No. _____
 due to ECN _____
 Replaces Dwg. No. _____
 Design Check _____
 Dwg. Chk. _____
 Drawn by _____
 Designed by WFL
Marks 74

ECN No. _____
 A/S RE - CENTRALEN

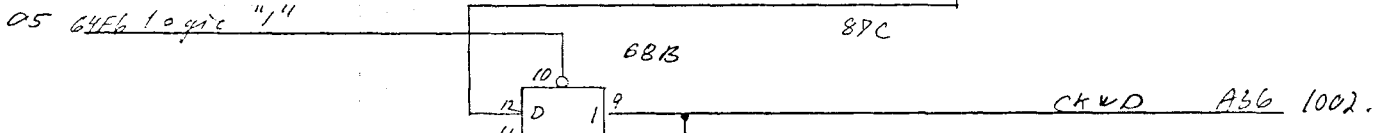
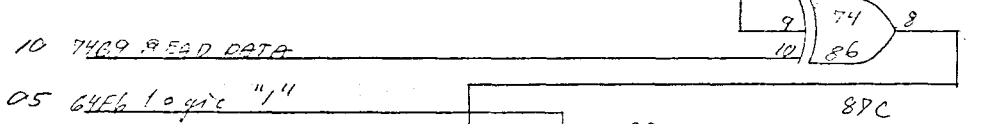
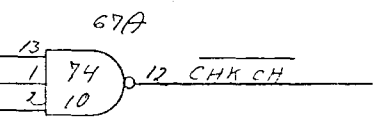
Unit DCA 701	Read/Write Logic	DCA 701
Dwg. No. R12181		15



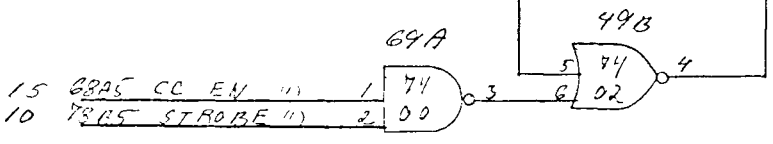
05 64E6 logic "1"
 14 5726 STROBE CC
 06 34E6 SEC EQUAL



05 64E6 logic "1"
 14 1726 STATE 3
 15 4229 CC STATE "1"



12 8508 Clear A



15 6825 CC EN "1"
 10 7825 STROBE "1"

Designed by MFL
 Drawn by MFL
 Checked by MFL
 Replaces Dwg. No. due to ECN
 Ed by Dwg. No.

A/S R	Unit	DCA 701	Check Character	DCA 701
	Dwg. No.	R12182		16

1002	A4	BUS0	61A5	02
1002	A5	BUS1	61A2	02
1002	A6	BUS2	22A14	03
1002	A7	BUS3	51A5	02
1002	A8	BUS4	22A2	03
1002	A9	BUS5	42A11	03
1002	A10	BUS6	32A14	03
1002	A11	BUS7	51A14	02
1002	A12	SB	42A5	03
1002	A13	D1	32A11	03
1002	A14	D0	32A5	03
1002	A15	XFER DONE	11A2	01
1002	A16	ATTEN0	A2	1001
1002	A17	ATTEN1	A7	1001
1002	A19	ATTEN2	A4	1001
1002	A20	ATTEN3	A20	1001
1002	A21	CM 2	51A2	02
1002	A22	CM 1	41A5	02
1002	A23	DATA STROBE	62A2	10
1002	A24	RESET	31A2	01
1002	A25	BIT COUNT	62B4	10
1002	A26	FORMAT	41A14	02
1002	A27	INC SC	21C6	01

Replaced by Dwg. No.
 due to ECN
 Replaces Dwg. No.
 Design Check
 Dwg. Office Check
 Drawn by
 Designed by HFL
 HFL 74
A/S REGNECENTRALEN

Unit DCA 701	1002 Plug; signal cross reference	DCA 701
Dwg. No. R10801		17

1002	A28	HEAD DATA	15710	10
1002	A29	ENC HD	21A2	01
1002	A30	ADAPTER DONE	43B9	12
1002	A31	CONTROL 1	41A2	02
1002	A32	CYL	51A11	02
1002	A33	HD DIR	22A5	03
1002	A34	DIEF	61A14	02
1002	A35	CONTROL 2	32A2	03
1002	A36	CKWD	68B9	16
1002	A37	DATA	1A2	01
1002	A38	EOC	43A5	12
1002	A39	ADAPTER SEL	14A6	04
1002	A40	START	1C6	01
1002	A41	DATA IN	413	1001
1002	A42	AD + UNSF	19C6	08
1002	A43	S&E	19B4	08

Replaced by Dwg. No. due to ECN Replaces Dwg. No. Design Check Dwg. Office Check Drawn by Designed by
 MAFS 74

A/S REGNECENTRALEN

Unit DCA 701	1002 Plug; signal cross reference	DCA 701 18
Dwg. No. R 10802		

1002	B-	BUS 0	51A6	02
1002	B5	BUS 1	51A3	02
1002	B6	BUS 2	22A13	03
1002	B7	BUS 3	51A6	02
1002	B8	BUS 4	22A3	03
1002	B9	BUS 5	42A10	03
1002	B10	BUS 6	52A13	03
1002	B11	BUS 7	51A13	02
1002	B12	<u>52</u>	22A6	03
1002	B13	D1	32A10	03
1002	B14	D0	32A6	03
1002	B15	<u>XFER DOME</u>	11B4	01
1002	B16	ATTEN 0	A2	1001
1002	B17	ATTEN 1	A7	1001
1002	B18	ATTEN 2	A4	1001
1002	B20	ATTEN 3	A20	1001
1002	B21	CM 2	51A3	02
1002	B22	CM 1	41A6	02
1002	B23	DATA STROBE	62D8	10
1002	B24	RESET	31B4	01
1002	B25	BIT COUNT	62L6	10
1002	B26	<u>FORMAT</u>	41A13	02
1002	B27	INC SC	21D8	01

Replaced by Dwg. No. due to ECN Replaces Dwg. No. Design Check Dwg. Office Check Drawn by Designed by *MFL* *MAR 75* **A/S REGNENCENTRALEN**

Unit DCA 701	1002 Plug's signal cross reference	DCA 701
Dwg. No. R10803		19

1002	B28	READ DATA	75E10	10
1002	B29	INC HD	5184	03
1002	B30	ADAPTER DONE	4289	12
1002	B31	CONTROL 1	41A3	02
1002	B32	CYL	51A10	02
1002	B33	HD + DIR	22A6	03
1002	B34	DIFF	61A13	02
1002	B35	CONTROL 2	32A3	03
1002	B36	CKW D	68B9	16
1002	B37	DATA	1B4	01
1002	B38	EOC	43A5	12
1002	B39	ADAPTER SEL	14B8	04
1002	B40	START	11D8	01
1002	B41	DUP IN	A13	1001
1002	B42	AD + UNSF	19C6	08
1002	B43	SKE	19B4	08

Replaced by Dwg. No. due to ECN Replaces Dwg. No. Design Check Dwg. Office Check Drawn by Designed by *WFL* *Marts* 74

AIS REGNECENTRALEN

Unit DCA 701	1002 Plug; signal cross reference	DCA 701
Dwg. No. R10804		20

	not used	WRITE PROTECT STATUS	A1	1001
1001	A16	ATTEN 0	A2	1001
	not used	ERASE GATE	A3	1001
1002	A19	ATTEN 2	A4	1001
	not used	INDEX	A5	1001
	not used	SA16	A6	1001
1002	A17	ATTEN 1	A7	1001
	not used	FILE READY	A8	1001
08	19C5	WRITE CHECK	A9	1001
09	10B	READ CLOCK	A10	1001
09	1C6	READ DATA	A11	1001
08	1008	SEEK INC	A12	1001
1002	A41	DWA IN	A13	1001
06	20C5	SA1	A14	1001
06	20B3	SA2	A15	1001
06	20A1	SA4	A16	1001
06	7A2	SA8	A17	1001
06	10A2	SECTOR PULSE	A19	1001
1002	A20	ATTEN 3	A20	1001
07	10B4	ADD ACK	A21	1001
		+5V	A22	1001
14	17C8	WRITE DATA AND CLOCK	A23	1001
13	28B4	READ GATE	A24	1001

Replaced by Dwg. No. due to ECN Replaces Dwg. No. Design Check Dwg. Office Check Drawn by Designed by *WFL* *MARTIN 74* AIS RECNECENTRALEN

Unit DCA 701	1001 plug; signal cross reference	DCA 701 21
Dwg. No. R10805		