
Title:

Drawings for FPA 705.

 **REGNECENTRALEN**

RC SYSTEM LIBRARY: FALKONERALLE 1 DK-2000 COPENHAGEN F

RCSL No: 52-AA703
Edition: November 1977
Author: Knud Erik Hansen

Keywords:

CHS 701, Front End Processor Adapter.

Abstract:

This paper contains diagrams and drawings for the Front End Processor Adapter to the RC 3600 System.

(50 pages).

CONTENTS

Page

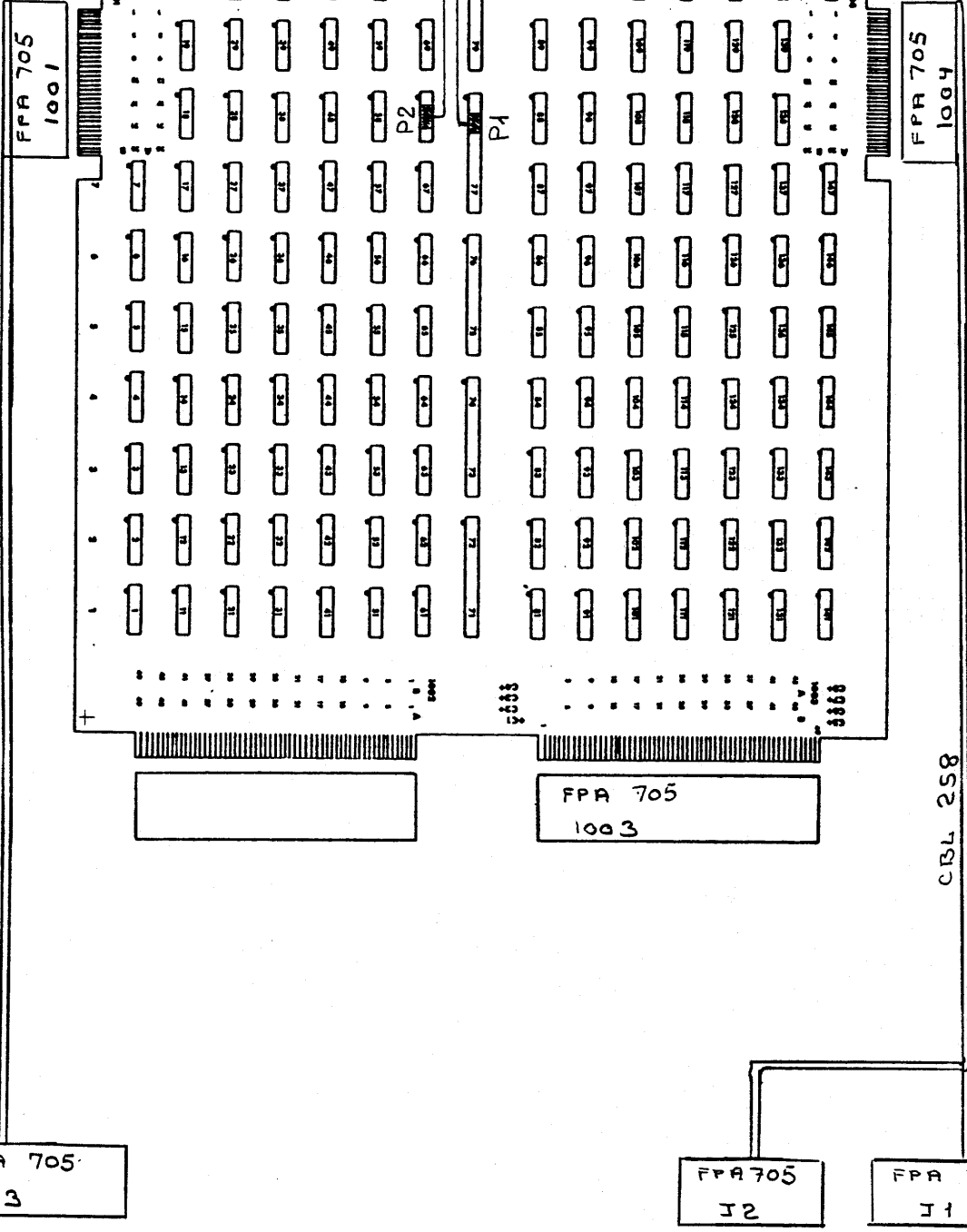
Assembly Drawing		1
Internal Cable CBL 258		2
Internal Cable CBL 022		3
Microprogram Explanation		4
Transmitter Micro Program	Dwg. No. A13152	5
Receiver Microprogram	Dwg. No. A13153	6
Bitpattern to Receiver Microprogram	Dwg. No. A13158	7
Bitpattern to Transmitter Microprogram	Dwg. No. A13154	8
Block Diagram, Transmitter	Dwg. No. A13155	9
Block Diagram, Receiver	Dwg. No. A13156	10
Circuit Diagram 1	Dwg. No. A13006	11
Circuit Diagram 2	Dwg. No. A13007	12
Circuit Diagram 3	Dwg. No. A13008	13
Circuit Diagram 4	Dwg. No. A13009	14
Circuit Diagram 5	Dwg. No. A13010	15
Circuit Diagram 6	Dwg. No. A13011	16
Circuit Diagram 7	Dwg. No. A13012	17
Circuit Diagram 8	Dwg. No. A13013	18
Circuit Diagram 9	Dwg. No. A13014	19
Circuit Diagram 10	Dwg. No. A13015	20
Circuit Diagram 11	Dwg. No. A13016	21
Circuit Diagram 12	Dwg. No. A13017	22
Circuit Diagram 13	Dwg. No. A13018	23
Circuit Diagram 14	Dwg. No. A13019	24
Circuit Diagram 15	Dwg. No. A13020	25
Circuit Diagram 16	Dwg. No. A13021	26
Circuit Diagram 17	Dwg. No. A13022	27
Circuit Diagram 18	Dwg. No. A13023	28
Circuit Diagram 19	Dwg. No. A13024	29

CONTENTS (continue)

Page

Circuit Diagram 20	Dwg. No. A13025	30
Circuit Diagram 21	Dwg. No. A13026	31
Circuit Diagram 22	Dwg. No. A13027	32
Circuit Diagram 23	Dwg. No. A13028	33
Circuit Diagram 24	Dwg. No. A13029	34
Circuit Diagram 25	Dwg. No. A13030	35
Circuit Diagram 26	Dwg. No. A13031	36
Circuit Diagram 27	Dwg. No. A13032	37
Circuit Diagram 28	Dwg. No. A13033	38
Circuit Diagram 29	Dwg. No. A13034	39
Circuit Diagram 30	Dwg. No. A13035	40
Circuit Diagram 31	Dwg. No. A13036	41
Circuit Diagram 32	Dwg. No. A13037	42
Circuit Diagram 33	Dwg. No. A13038	43
Interconnection Diagram RC 3600-RC 3600	Dwg. No. A25155	44
Interconnection Diagram RC 3600-RC 3500	Dwg. No. A25156	45
Interconnection Diagram RC 3600-RC 8000	Dwg. No. A25157	46

RC 2318



271075 KNEH Rev. 774129 OKD

RCSL 44-RT 417

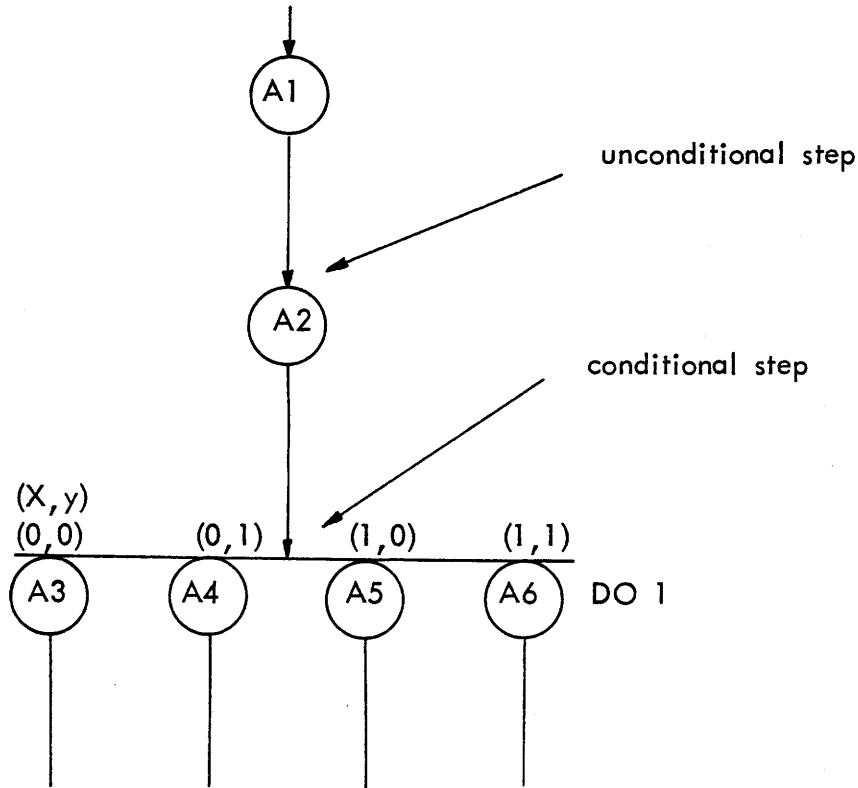
Connector	Gen. addr.	Signal Name	Connector J1	Connector	Gen. addr.	Signal Name	Connector J1
A 1		DATA LINE 0 OUT A	1	A14		AUTO LOAD LINE OUT A	26
B 1		DATA LINE 0 OUT B	2	B14		AUTO LOAD LINE OUT B	25
A 2		DATA LINE 1 OUT A	3	A15		CONN. LINE OUT A	24
B 2		DATA LINE 1 OUT B	4	B15		CONN. LINE OUT B	23
A 3		DATA LINE 2 OUT A	5	A16		LAST CHAR LINE OUT A	22
B 3		DATA LINE 2 OUT B	6	B16		LAST CHAR LINE OUT B	21
A 4		DATA LINE 3 OUT A	7	A17		0V	20
B 4		DATA LINE 3 OUT B	8	B17		0V	19
A 5		DATA LINE 4 OUT A	9	A18		0V	18
B 5		DATA LINE 4 OUT B	10	B18		0V	36
A 6		DATA LINE 5 OUT A	11	A19		RUN	5
B 6		DATA LINE 5 OUT B	12	B19		0V	6
A 7		DATA LINE 6 OUT A	13	A20		+ 5V OK	13
B 7		DATA LINE 6 OUT B	14	B20		0V	12
A 8		DATA LINE 7 OUT A	15	A21		MEM OK	11
B 8		DATA LINE 7 OUT B	16	B21		0V	10
A 9		PARITY LINE OUT A	17	A22			J2
B 9		PARITY LINE OUT B	35	B22			
A10		RESET LINE OUT A	34	A23		7 RST	9
B10		RESET LINE OUT B	33	B23		0V	8
A11		REQ ACK LINE OUT A	32	A24		7 PL	7
B11		REQ ACK LINE OUT B	31	B24		0V	14
A12		DATA REQ LINE OUT A	30	A25			
B12		DATA REQ LINE OUT B	29	B25			
A13		STATUS REQ LINE OUT A	28			Chassis	51
B13		STATUS REQ LINE OUT B	27			Chassis	J1 52

CBL 258 SIGNAL NAMES FPA

J1 - J2

CBL 022

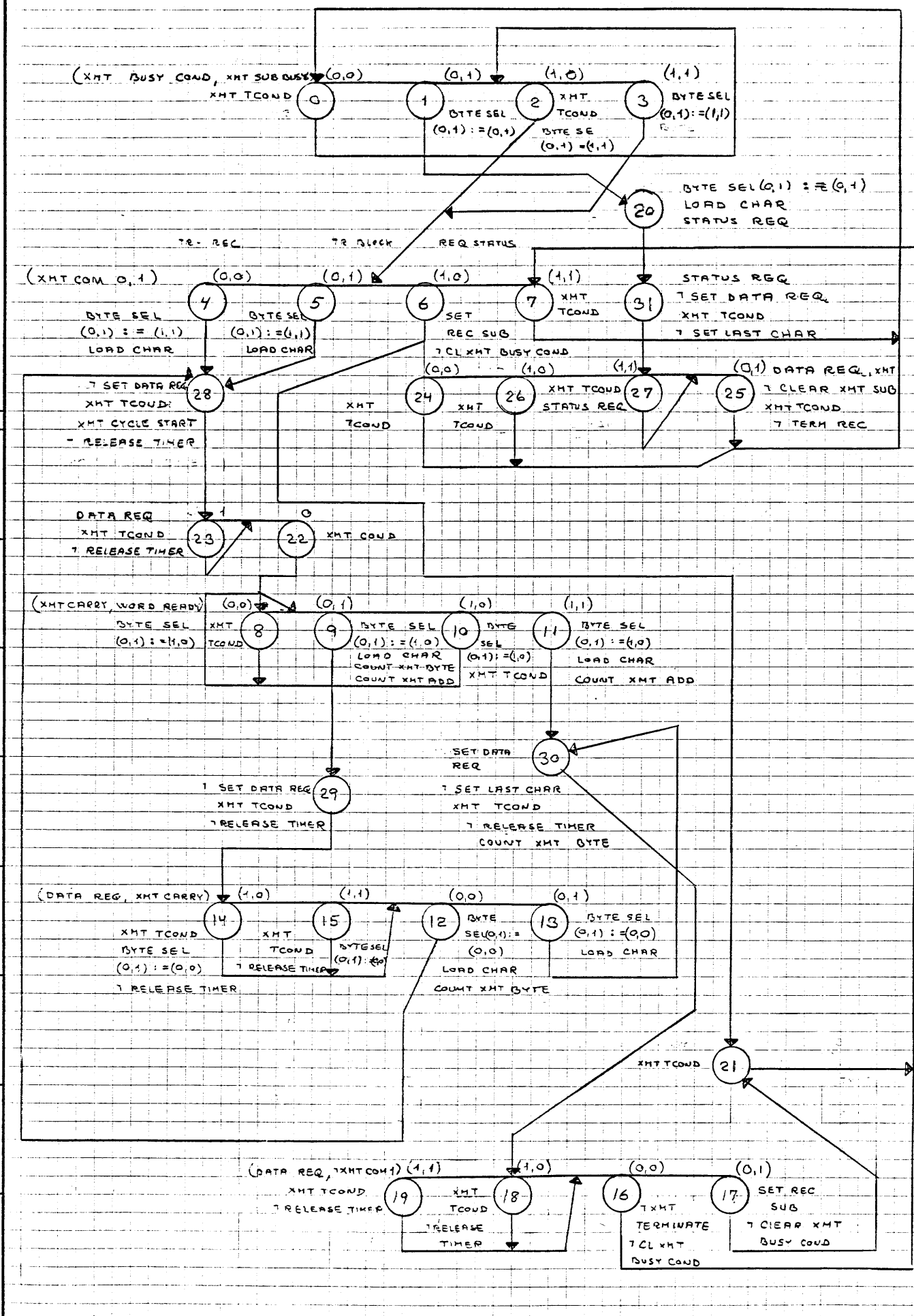
To understand the microprograms on page 5 and 6 the following explanation is necessary.



The number in the circle, A_x , is the microaddress. The microprogram steps unconditional from A1 to A2; in A2 the condition (x,y) is selected, and if:

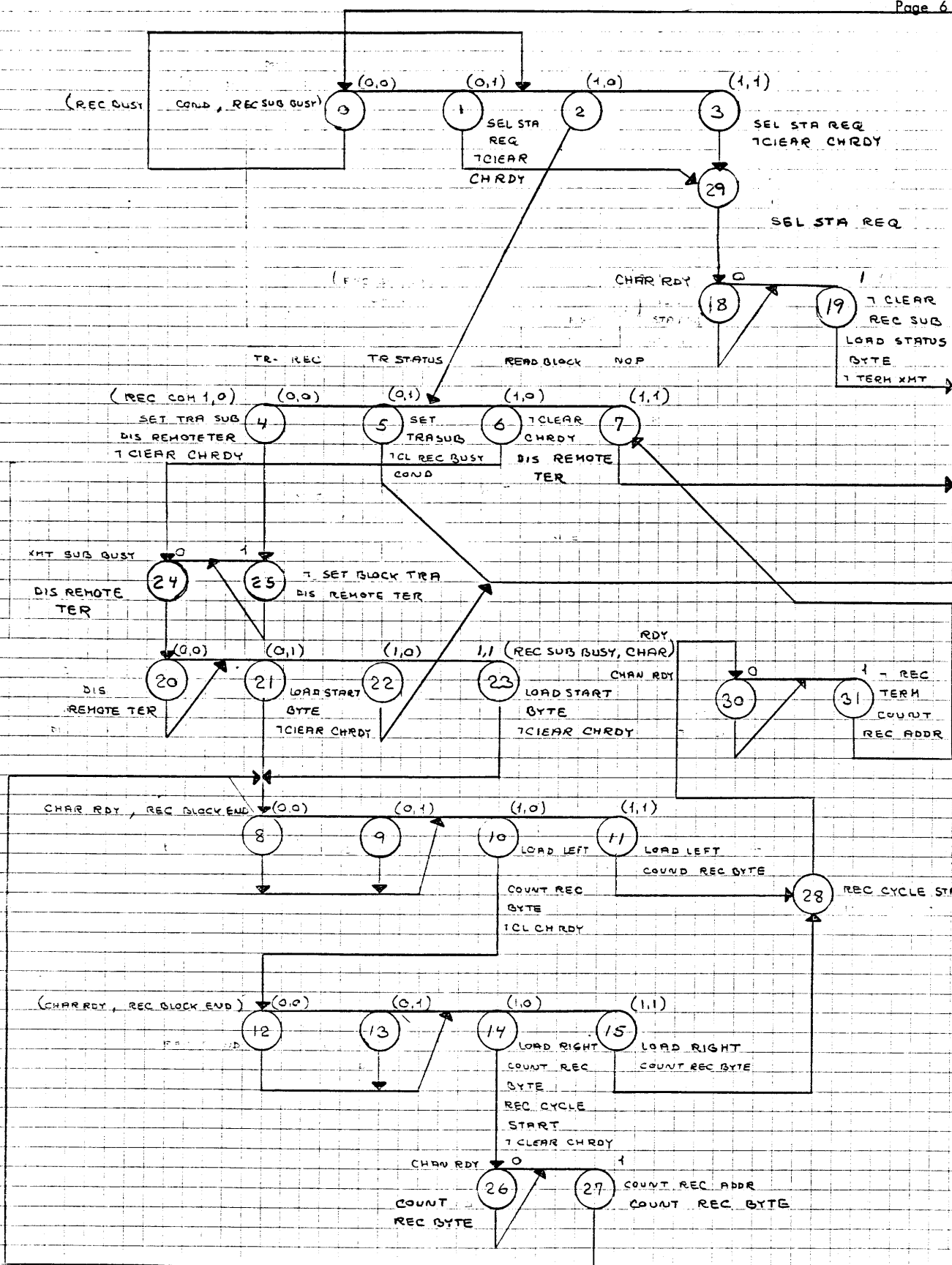
- $(x,y) = (0,0)$, the microprogram steps to A3
- $(x,y) = (0,1)$, - - - - A4
- $(x,y) = (1,0)$, - - - - A5
- $(x,y) = (1,1)$, - - - - A6

Besides the circle the most important DO-functions in this step can be listed.



Replaced by Dwg. No. _____
 due to ECN _____
 Replaces Dwg. No. _____
 Design Check _____
 Dwg. Office Check _____
 Drawn by 77202 OKO
 Designed by KNEH
A/S REGNENCENTRALEN

Unit FPA 705	TRANSMITTER MICROPROGRAM
Dwg. No. A 13 152	



Replaced by Dwg. No. _____
 due to ECN _____
 Replaces Dwg. No. _____
 Design Check _____
 Dwg. Office Check _____
 Drawn by 77202 OKO
 Designed by 251,75 KNEH
A/S REGNENTRALEN

Unit FPA 705	RECEIVER MICROPROGRAM
Dwg. No. A 13 153	

Unit	Dwg. No.	Designed by	Drawn by	Dwg. Office Check	Design Check	Replaces Dwg. No.	due to ECN	Replaced by Dwg. No.	ROM 571, IC 6																								
									Pin1	Pin2	Pin3	Pin4	Pin5	Pin6	Pin7	Pin8	Pin9	Pin10	Pin11	Pin12	Pin13	Pin14											
INPUT ADDRESS	A13154	1/60127	MUEH	77202	OKJ	ROM 549	IC 110	ROM 570	IC 69	Pin1	Pin2	Pin3	Pin4	Pin5	Pin6	Pin7	Pin8	Pin9	Pin10	Pin11	Pin12	Pin13	Pin14										
										XMT	XMT	XMT	XMT	XMT	XMT	XMT	XMT	XMT	XMT	XMT	XMT	XMT	XMT	XMT	XMT	XMT	XMT	XMT	XMT	XMT	XMT	XMT	
										COMP	COMP	COMP	COMP	COMP	COMP	COMP	COMP	COMP	COMP	COMP	COMP	COMP	COMP	COMP	COMP	COMP	COMP	COMP	COMP	COMP	COMP	COMP	COMP
										SEL1	SEL1	SEL1	SEL1	SEL1	SEL1	SEL1	SEL1	SEL1	SEL1	SEL1	SEL1	SEL1	SEL1	SEL1	SEL1	SEL1	SEL1	SEL1	SEL1	SEL1	SEL1	SEL1	SEL1
										SEL2	SEL2	SEL2	SEL2	SEL2	SEL2	SEL2	SEL2	SEL2	SEL2	SEL2	SEL2	SEL2	SEL2	SEL2	SEL2	SEL2	SEL2	SEL2	SEL2	SEL2	SEL2	SEL2	SEL2
										SEL3	SEL3	SEL3	SEL3	SEL3	SEL3	SEL3	SEL3	SEL3	SEL3	SEL3	SEL3	SEL3	SEL3	SEL3	SEL3	SEL3	SEL3	SEL3	SEL3	SEL3	SEL3	SEL3	SEL3
										SEL4	SEL4	SEL4	SEL4	SEL4	SEL4	SEL4	SEL4	SEL4	SEL4	SEL4	SEL4	SEL4	SEL4	SEL4	SEL4	SEL4	SEL4	SEL4	SEL4	SEL4	SEL4	SEL4	SEL4
										SEL5	SEL5	SEL5	SEL5	SEL5	SEL5	SEL5	SEL5	SEL5	SEL5	SEL5	SEL5	SEL5	SEL5	SEL5	SEL5	SEL5	SEL5	SEL5	SEL5	SEL5	SEL5	SEL5	SEL5
										SEL6	SEL6	SEL6	SEL6	SEL6	SEL6	SEL6	SEL6	SEL6	SEL6	SEL6	SEL6	SEL6	SEL6	SEL6	SEL6	SEL6	SEL6	SEL6	SEL6	SEL6	SEL6	SEL6	SEL6
										SEL7	SEL7	SEL7	SEL7	SEL7	SEL7	SEL7	SEL7	SEL7	SEL7	SEL7	SEL7	SEL7	SEL7	SEL7	SEL7	SEL7	SEL7	SEL7	SEL7	SEL7	SEL7	SEL7	SEL7
										SEL8	SEL8	SEL8	SEL8	SEL8	SEL8	SEL8	SEL8	SEL8	SEL8	SEL8	SEL8	SEL8	SEL8	SEL8	SEL8	SEL8	SEL8	SEL8	SEL8	SEL8	SEL8	SEL8	SEL8
										SEL9	SEL9	SEL9	SEL9	SEL9	SEL9	SEL9	SEL9	SEL9	SEL9	SEL9	SEL9	SEL9	SEL9	SEL9	SEL9	SEL9	SEL9	SEL9	SEL9	SEL9	SEL9	SEL9	SEL9
										SEL10	SEL10	SEL10	SEL10	SEL10	SEL10	SEL10	SEL10	SEL10	SEL10	SEL10	SEL10	SEL10	SEL10	SEL10	SEL10	SEL10	SEL10	SEL10	SEL10	SEL10	SEL10	SEL10	SEL10

Unit: FPA 705
 Dwg. No.: A13154
 BITPATTERN TO TRANSMITTER MICROPROGRAM

AC doc: V8 140

Unit: **FPA 705**
 Dwg. No.: **A13 155**

Designed by: **260210 K1E1H 77202 OKC**

Drawn by: **260210 K1E1H 77202 OKC**

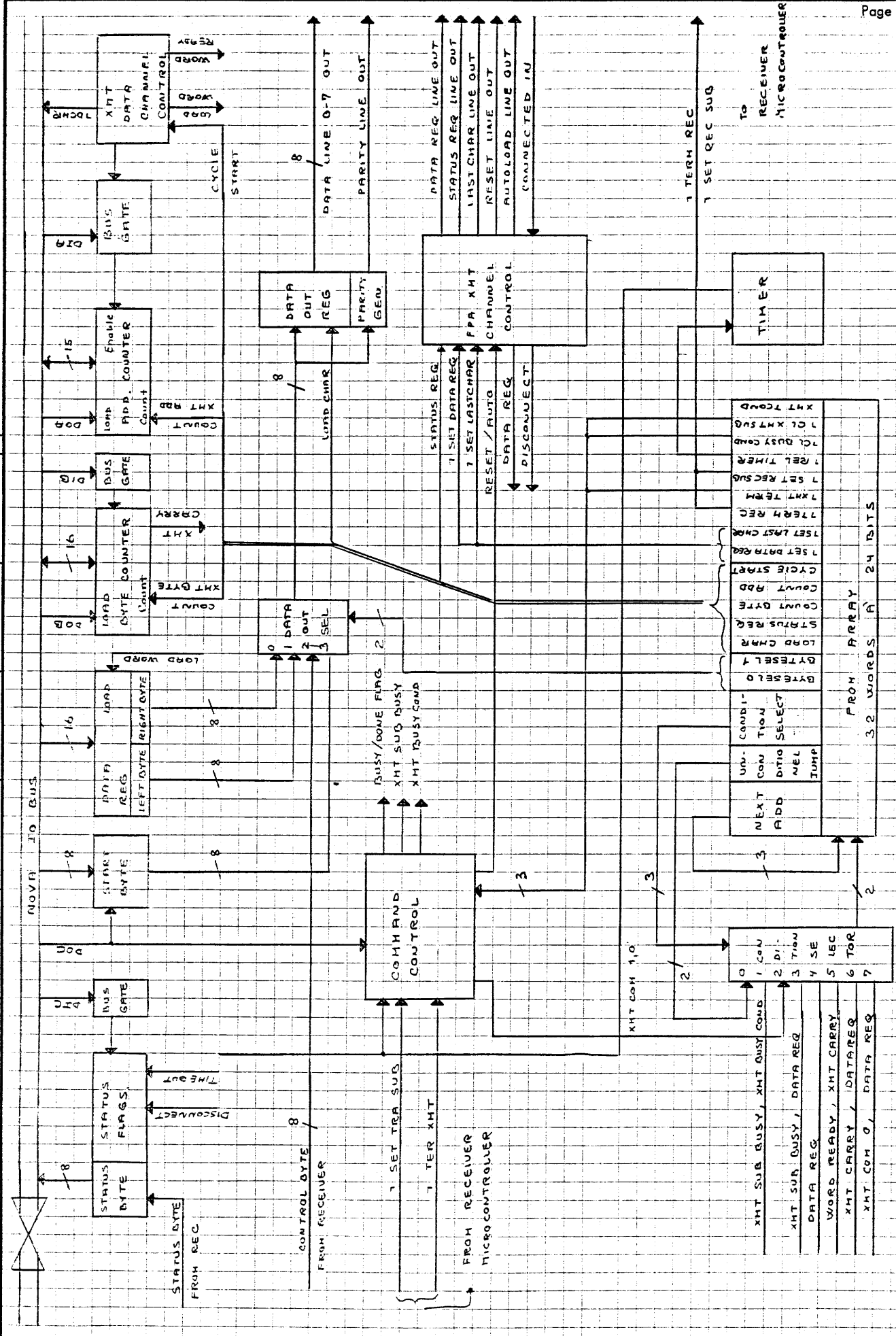
Dwg. Office Check

Design Check

Replaces Dwg. No.

due to ECN

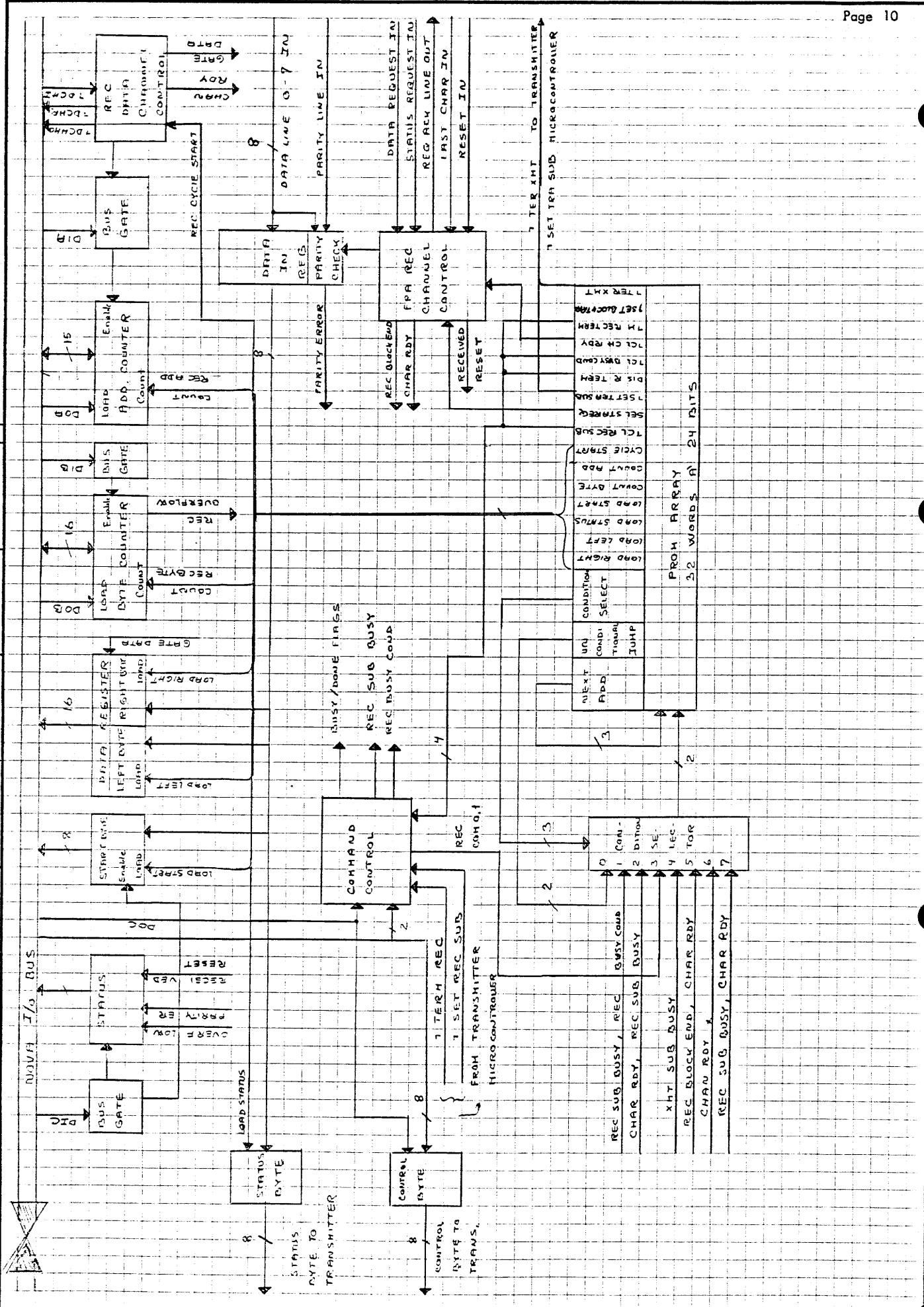
Replaced by Dwg. No.



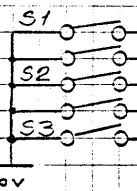
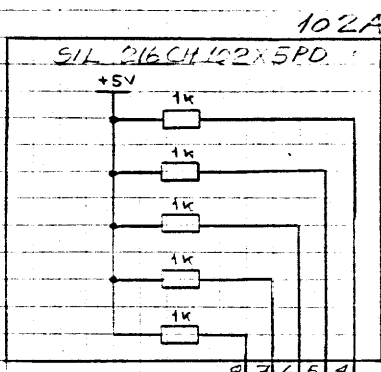
FPA 705 TRANSMITTER

BLOCK DIAGRAM

Unit: FPA 705 RECEIVER
 Dwg. No.: A13156
 Replaced by Dwg. No.:
 due to ECN:
 Design Check:
 Dwg. Office Check:
 Drawn by: 771202 DKC
 Designed by: 760203 KWFH

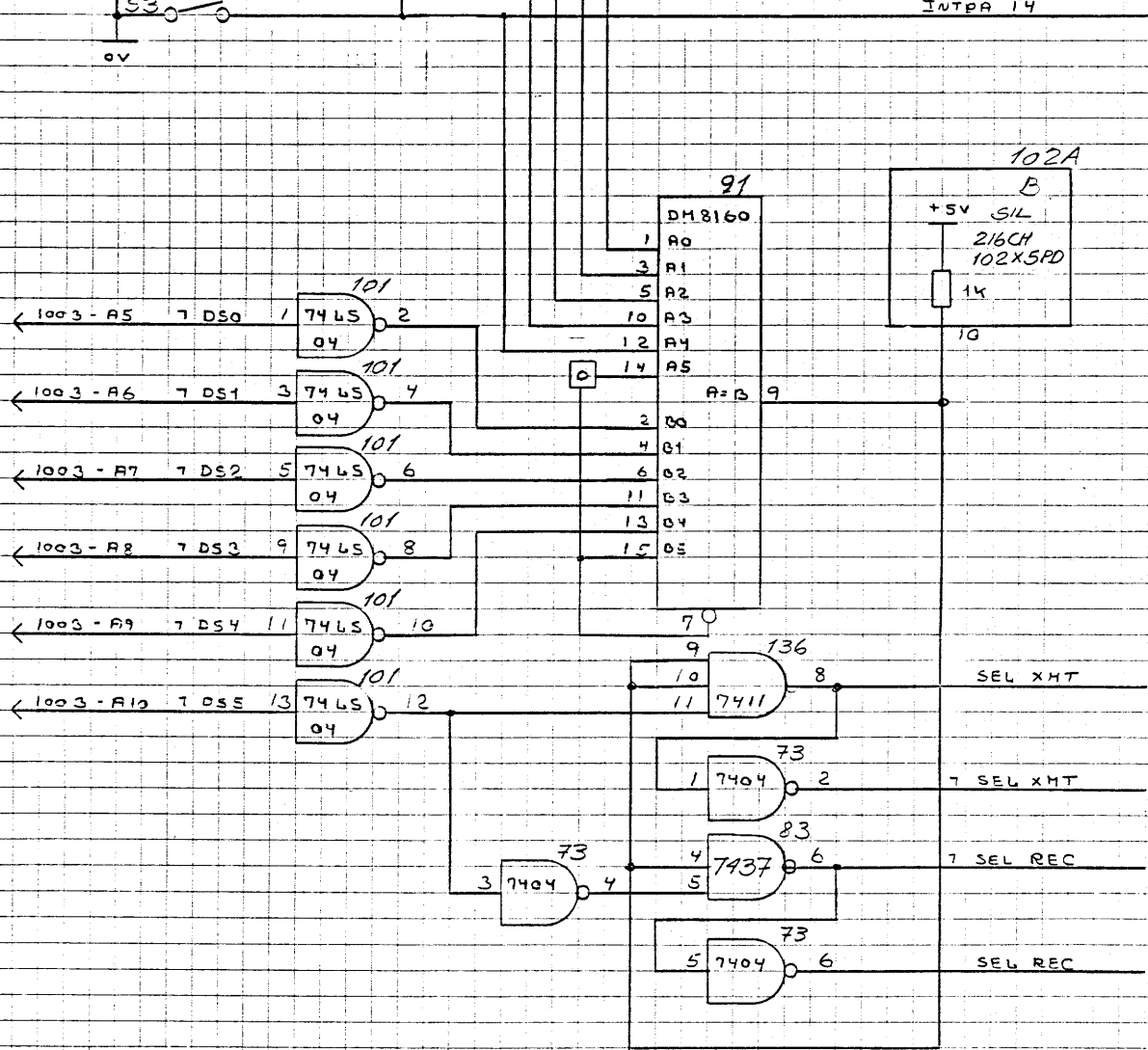


AG Doc. 10 110



INTPA 10
 INTPA 11
 INTPA 12
 INTPA 13
 INTPA 14

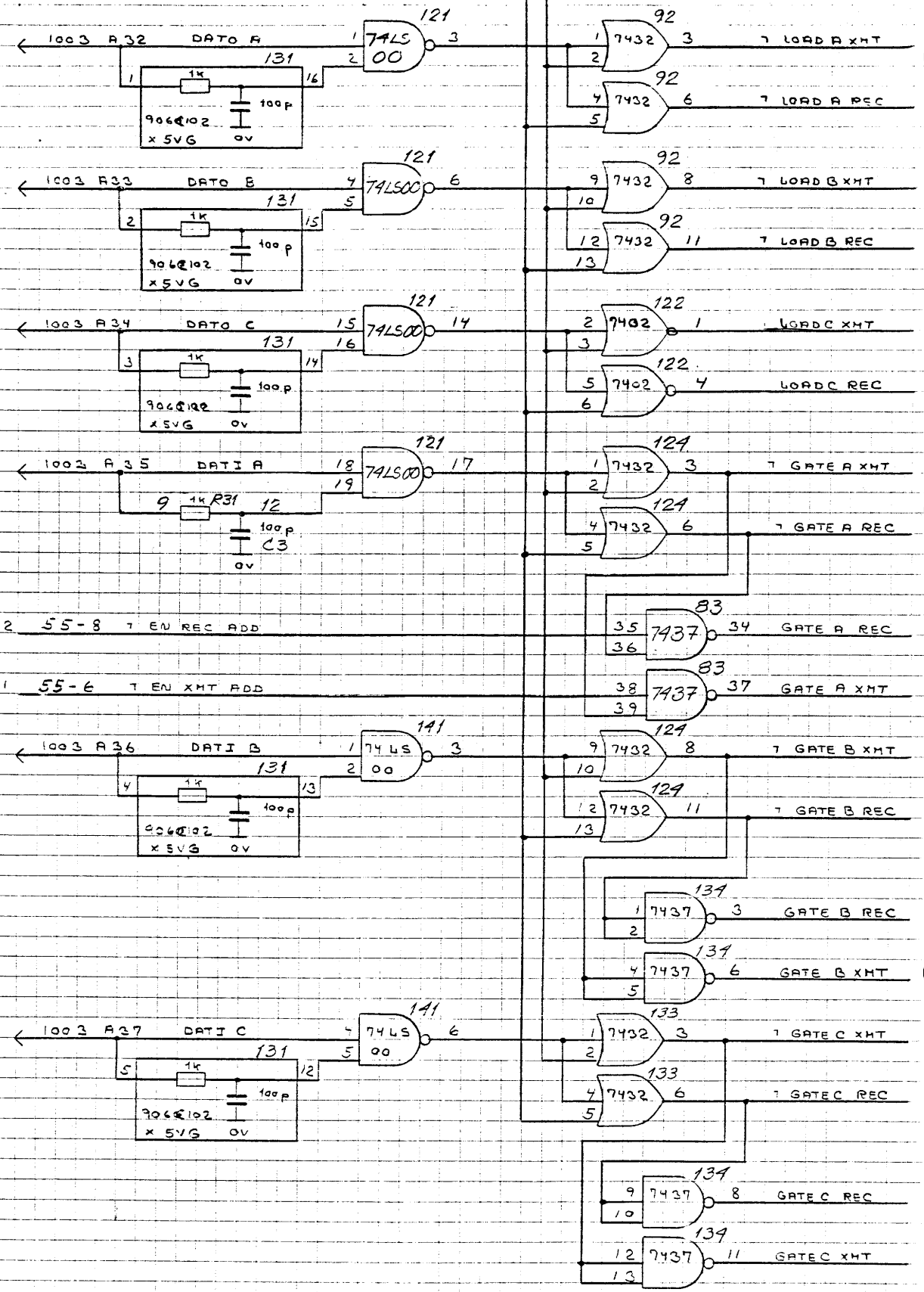
Replaced by Dwg. No. _____
 due to ECN _____
 Replaces Dwg. No. _____
 Design Check _____
 Dwg. Office Check _____
 Drawn by _____
 Designed by 131075 KUE H
A/S REGNENTRALEN



Unit	FPA 705	DEVICE ADDRESS DECODER	1
Dwg. No.	A 0006	COPY - DIAGRAM	

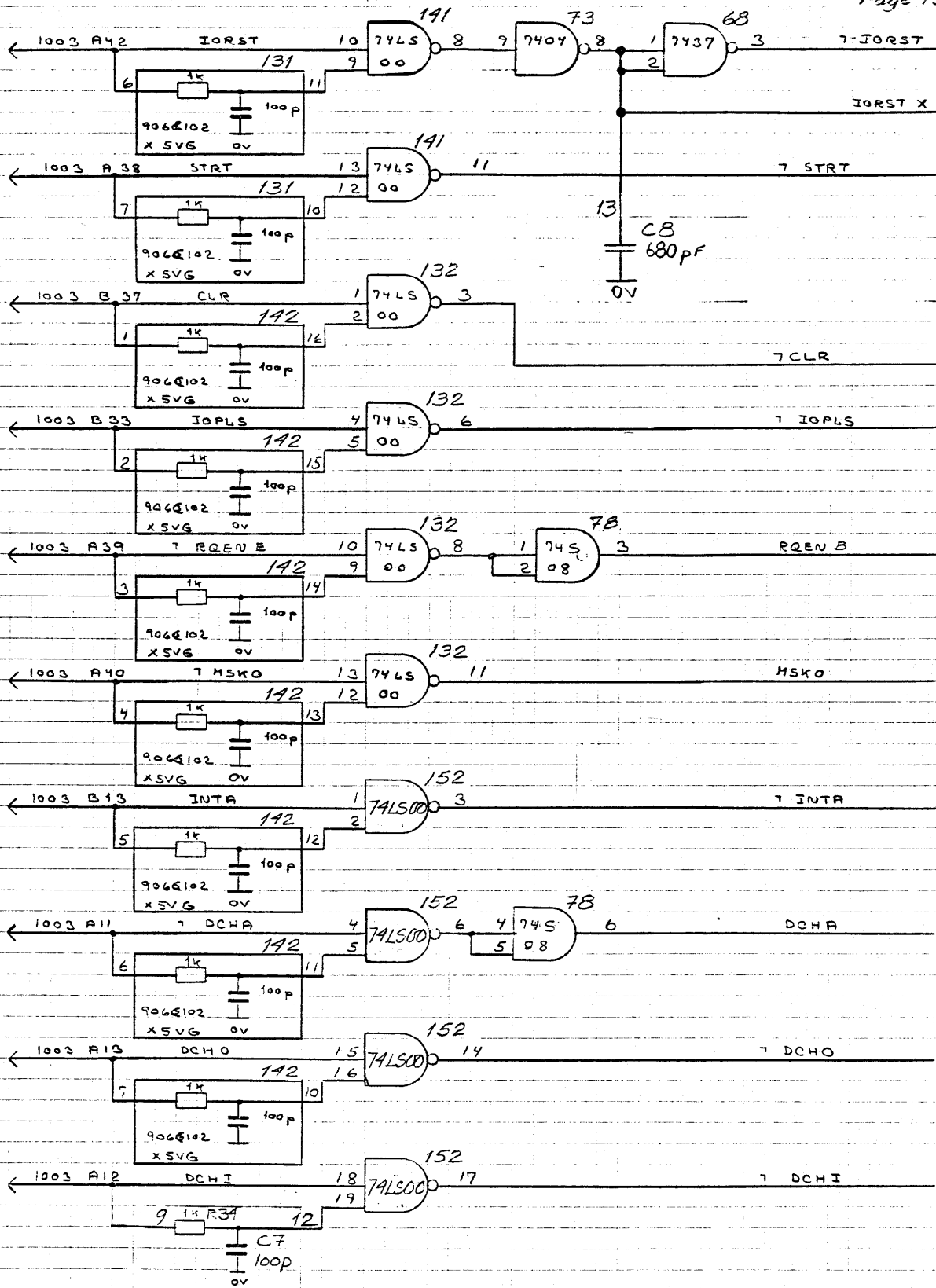
MC doc: VB 140

1 131-2 7 SEL XHT
 1 63-6 7 SEL REC



Replaced by Dwg. No. _____
 due to ECN _____
 Replaces Dwg. No. _____
 Design Check _____
 Dwg. Office Check _____
 Drawn by _____
 Designed by _____

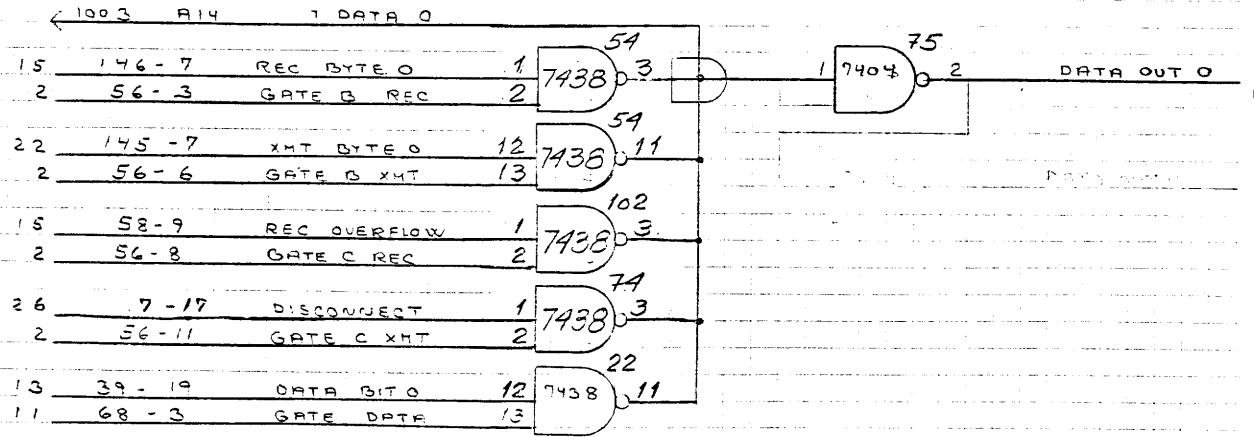
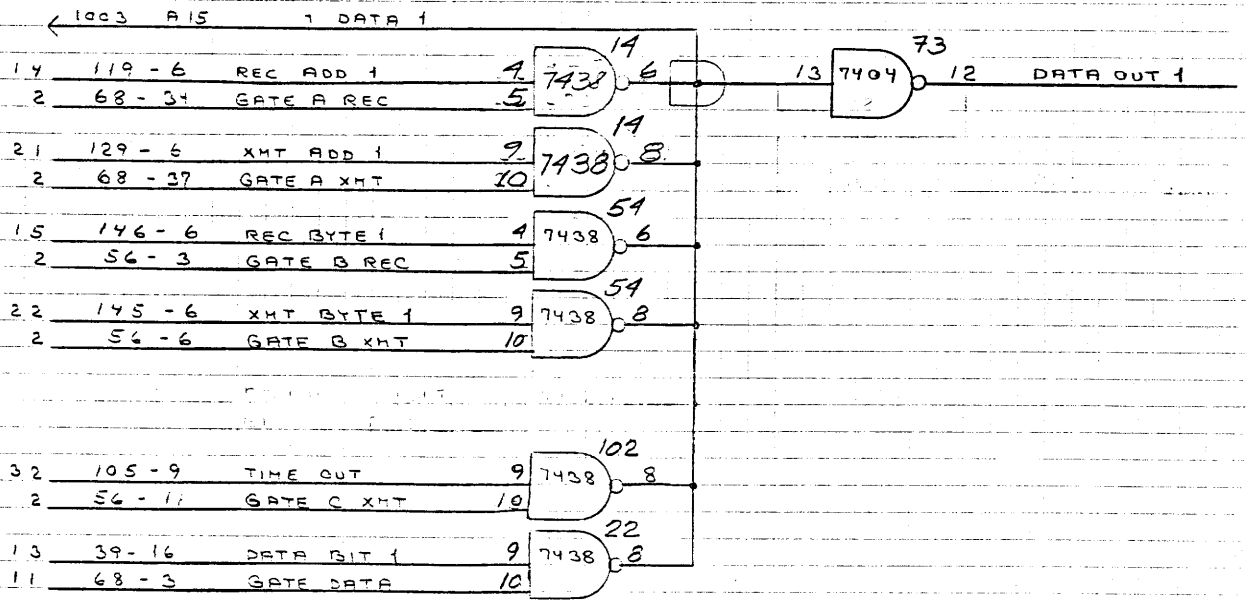
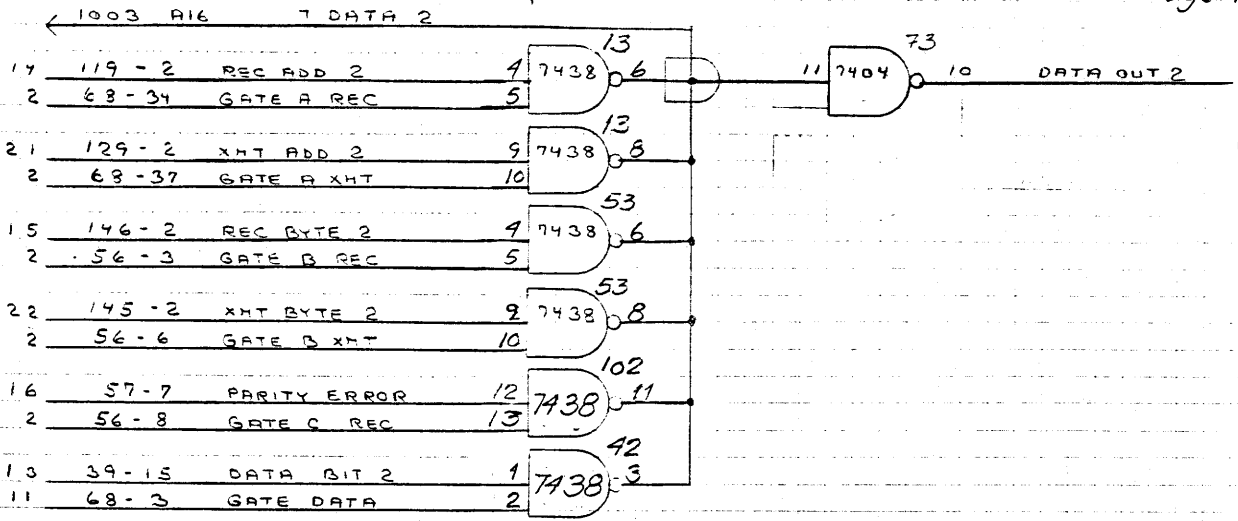
Unit	FA 305	3/o CONTROL RECEIVERS	2
Dwg. No.	4 15007	CIRCUIT DIAGRAM	



Replaced by Dwg. No.	18-010
due to ECN	
Replaces Dwg. No.	P-11375
Design Check	
Dwg. Office Check	
Drawn by	
Designed by	Holot MEM
A/S REGNENTRALEN	

Unit	EDA 705	2/3 CONTROL RECEIVERS	3
Dwg. No.	113002	CIRCUIT DIAGRAM	

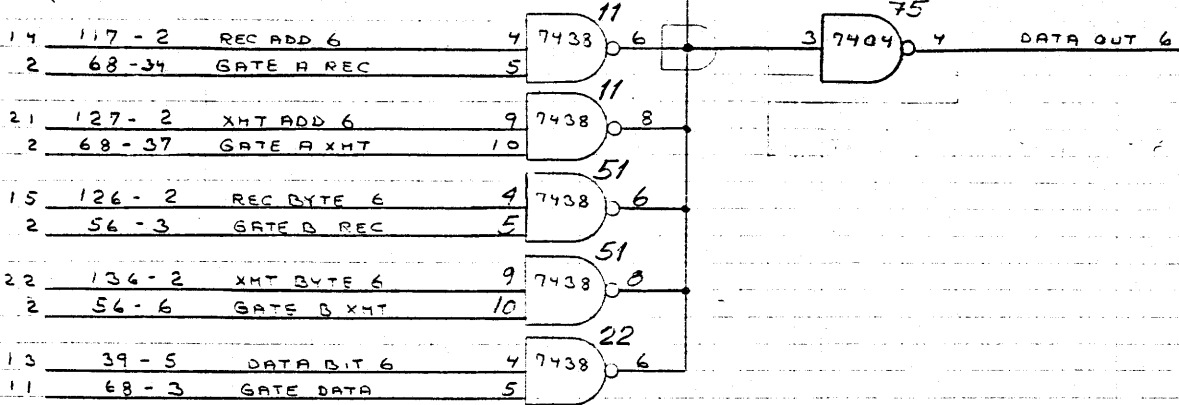
RC doc: VB 140



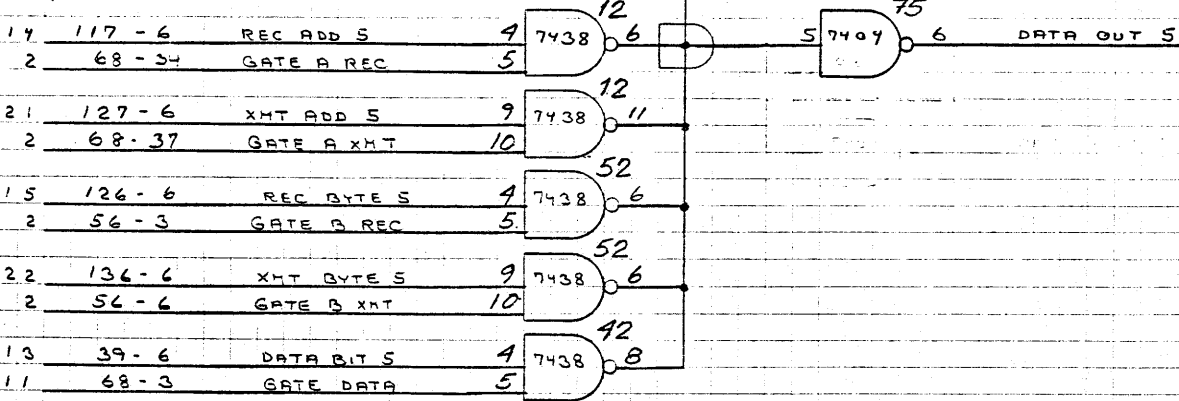
Replaced by Dwg. No. _____
 due to ECN _____
 Replaces Dwg. No. _____
 Design Check _____
 Dwg. Office Check _____
 Drawn by _____
 Designed by _____
A/S REGNENTRALEN

Unit	FPA 705	I/O BUS DATA BITS 0 - 2	4
Dwg. No.	A13009	CIRCUIT DIAGRAM	

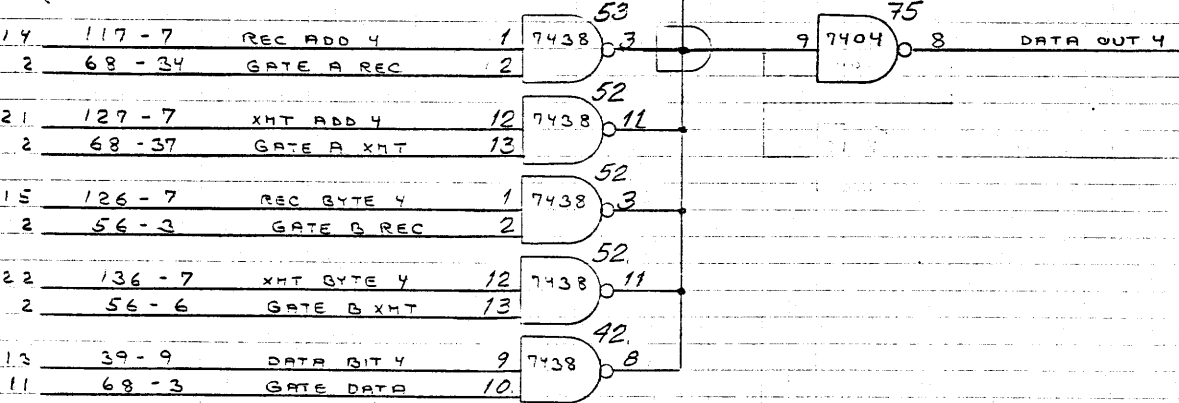
← 1003 A 19 7 DATA 6



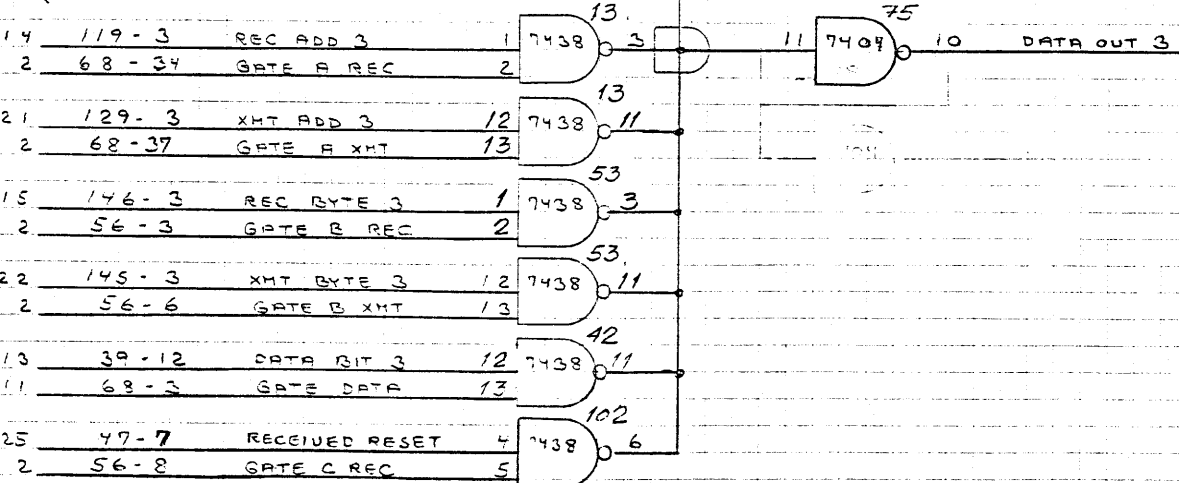
← 1003 A 18 7 DATA 5



← 1003 B 17 7 DATA 4

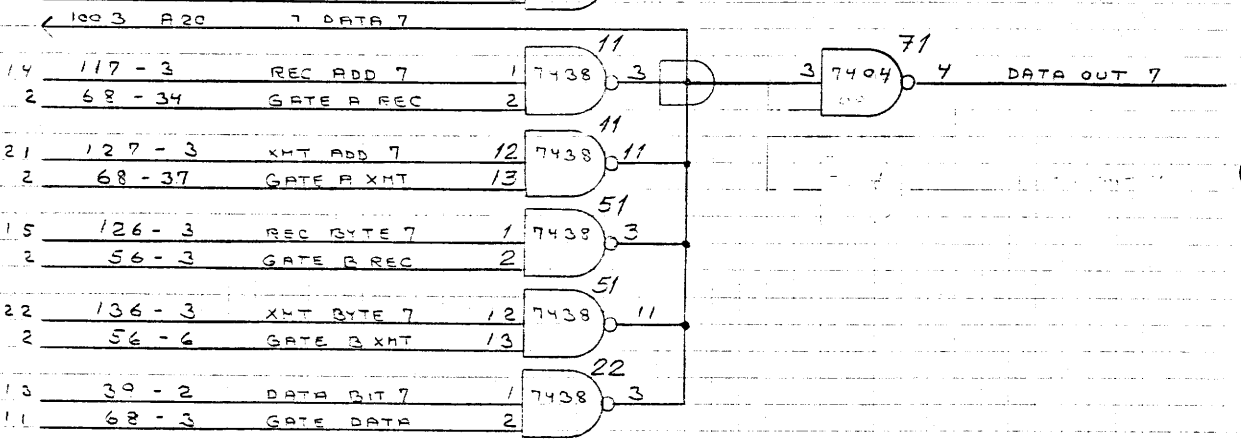
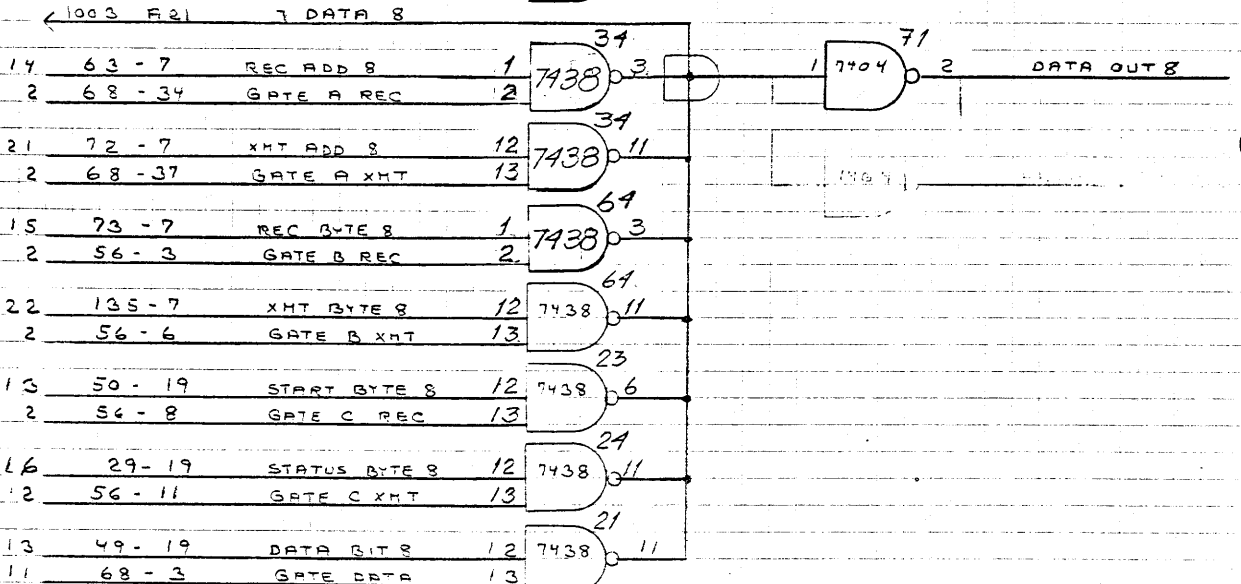
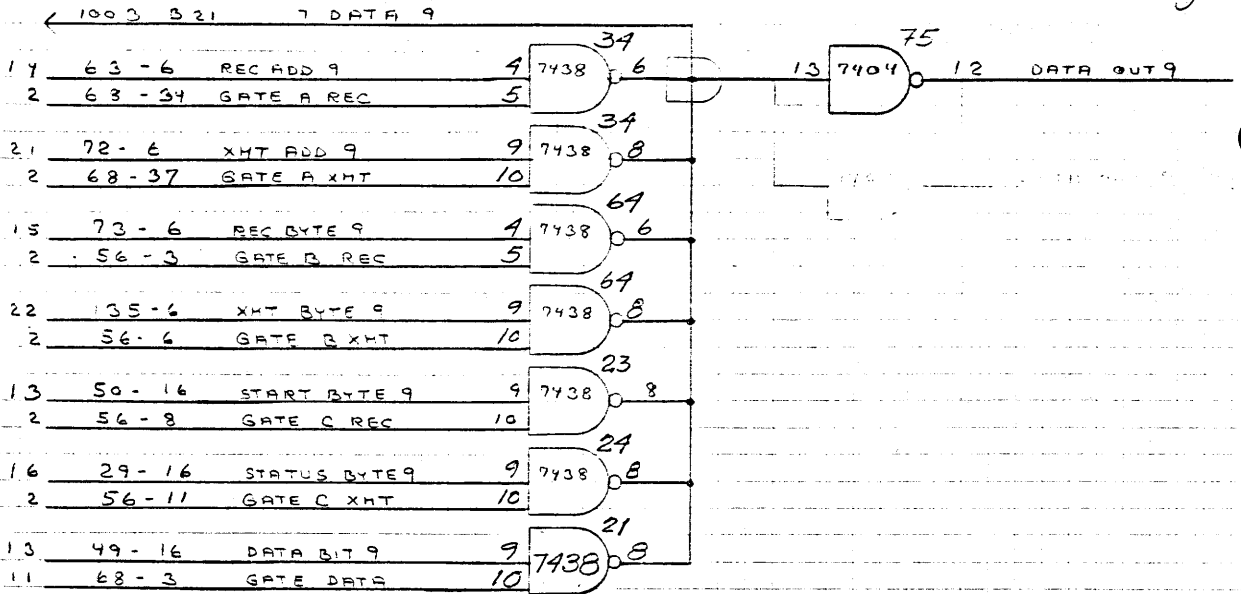


← 1003 A 17 7 DATA 3



Replaced by Dwg. No. _____
 due to ECN _____
 Replaces Dwg. No. _____
 Design Check _____
 Dwg. Office Check _____
 Drawn by _____
 Designed by _____
A/S REGNENTRALEN

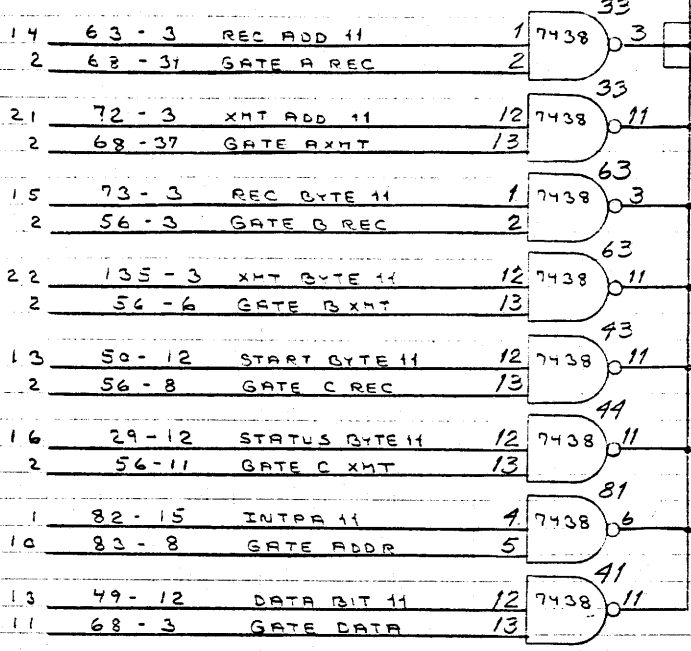
Unit	FDA 705		
Dwg. No.	413010	F/O BUS DATA BITS 3-6	5
CIRCUIT DIAGRAM			



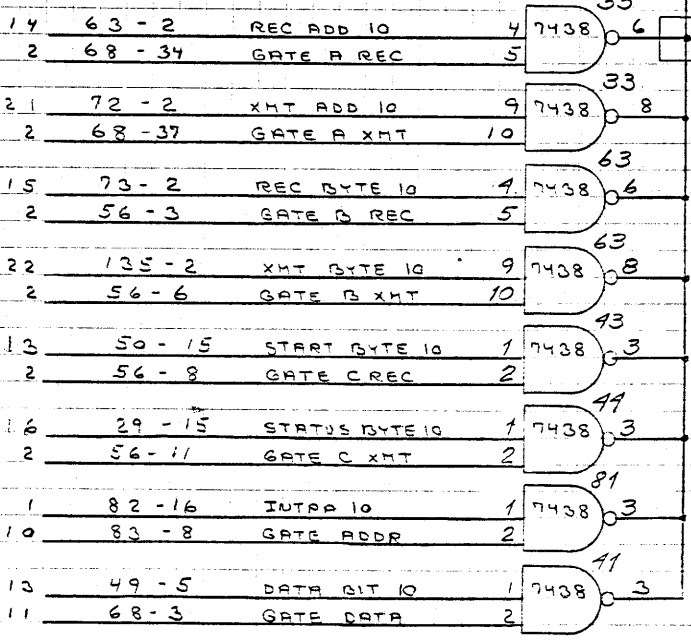
Replaced by Dwg. No. _____
 due to ECN _____
 Replaces Dwg. No. _____
 Design Check _____
 Dwg. Office Check _____
 Drawn by _____
 Designed by _____

Unit	FA 705	% BUS DATA BITS 7-9	6
Dwg. No.	A13011	CIRCUIT DIAGRAM	

← 1003 A23 7 DATA 11



← 1003 A22 7 DATA 10

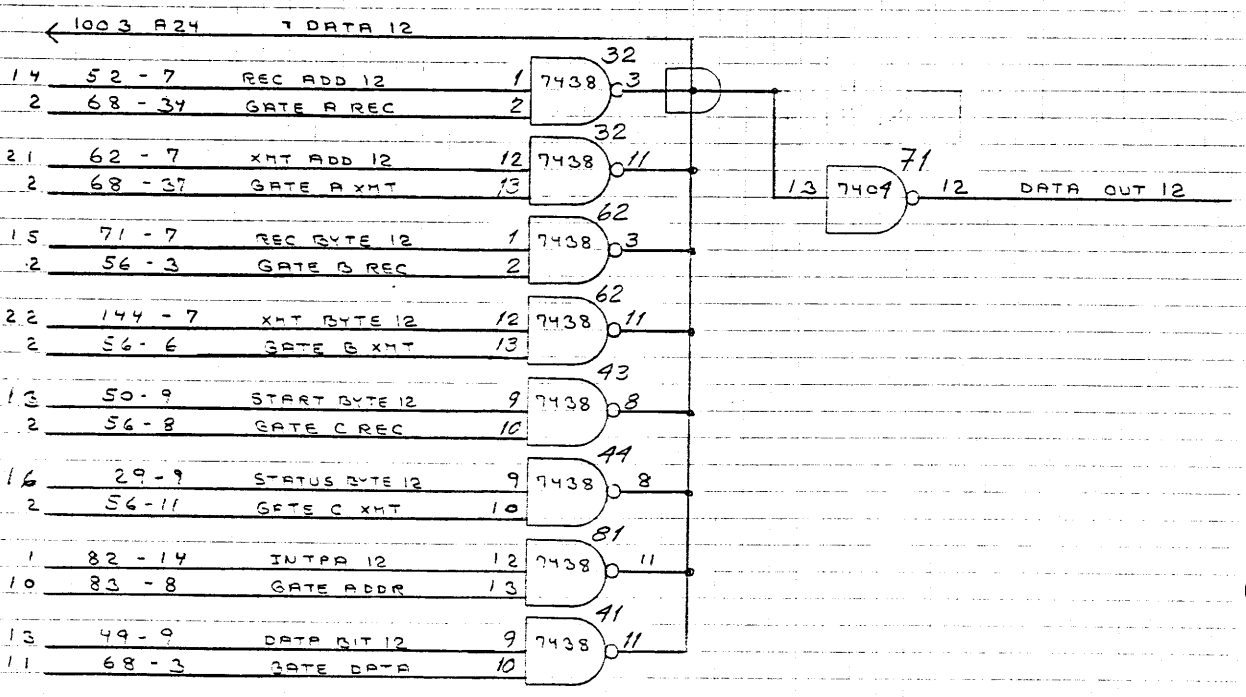
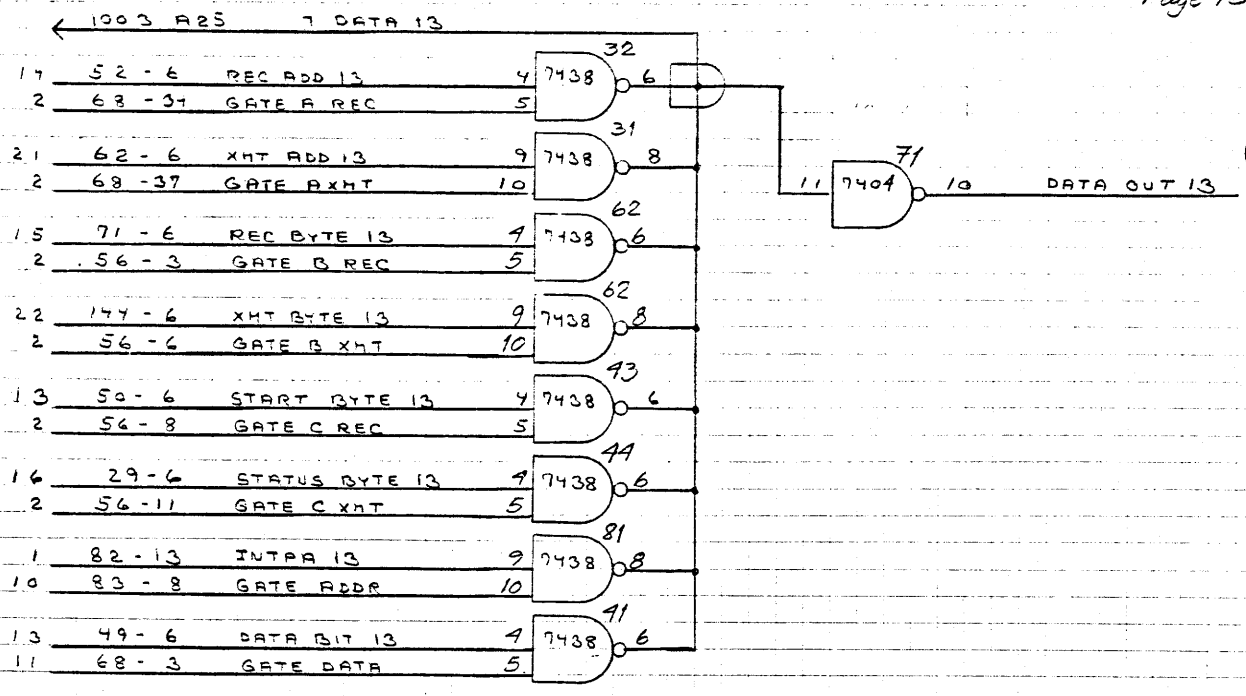


Replaced by Dwg. No. _____
 due to ECN _____
 Replaces Dwg. No. _____
 Design Check _____
 Dwg. Office Check _____
 Drawn by _____
 Designed by _____

Unit
 Dwg. No.
A13012

70 BUS DATA BITS 10 - 11
 CIRCUIT DIAGRAM

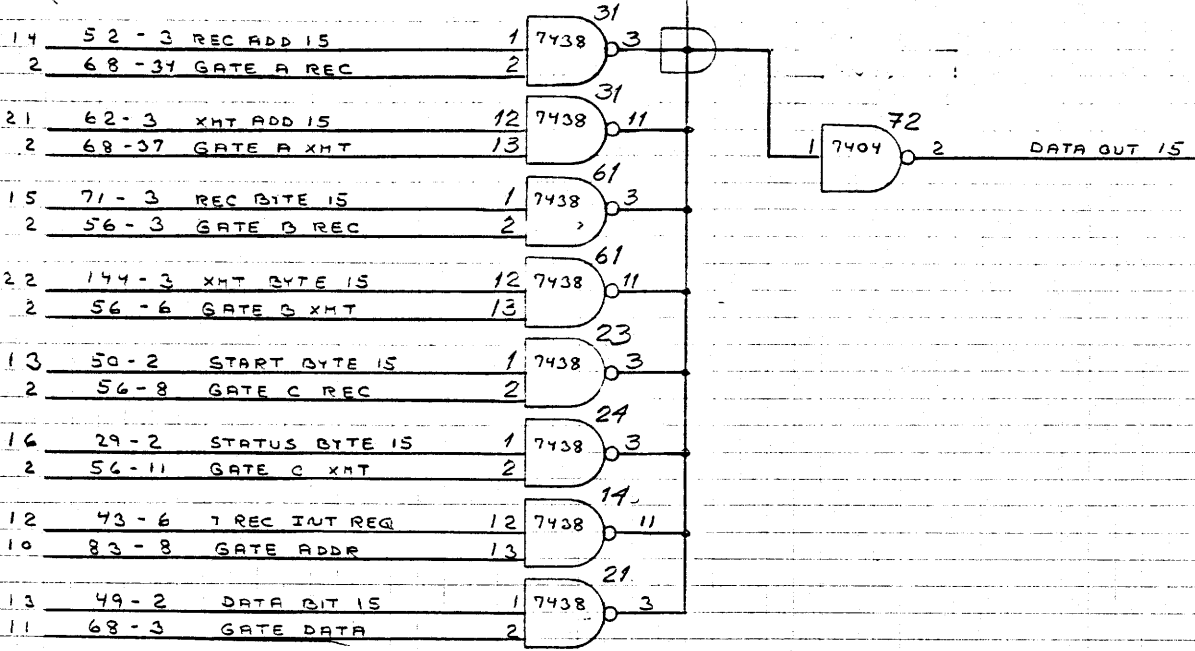
7



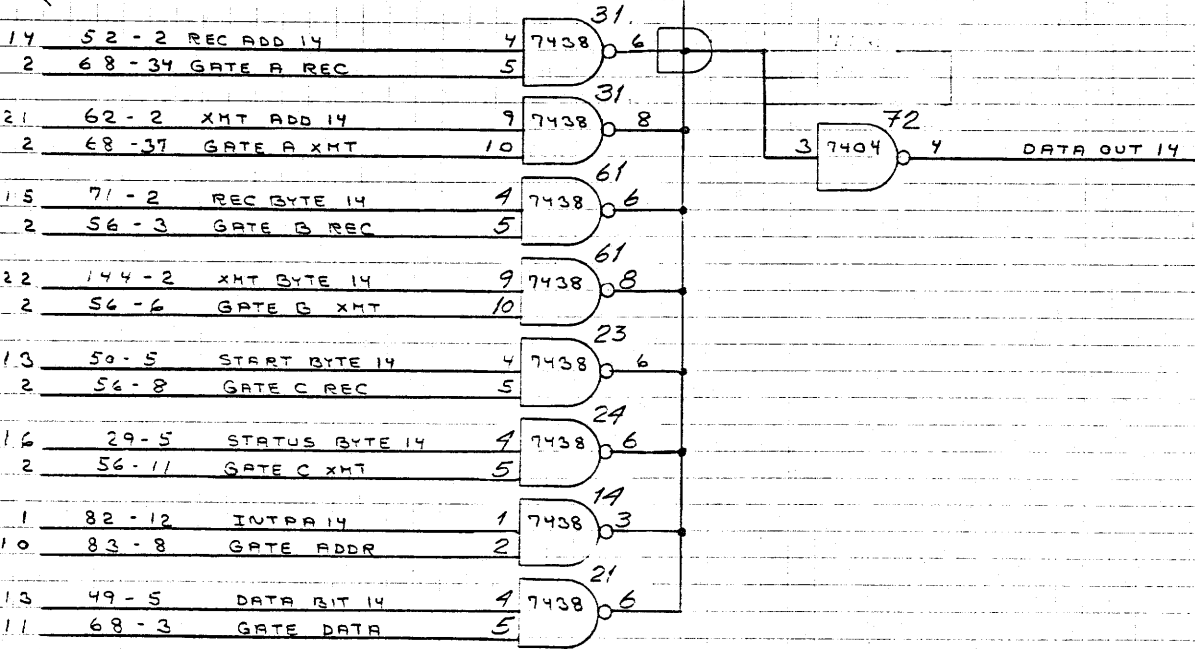
Replaced by Dwg. No. _____
 due to ECN _____
 Replaces Dwg. No. _____
 Design Check _____
 Dwg. Office Check _____
 Drawn by _____
 Designed by _____
A/S REGNECENTRALEN

Unit	70 BUS , DATA BITS 12-13	8
Dwg. No.	A13013	
CIRCUIT DIAGRAM		

1003 A26 7 DATA 15

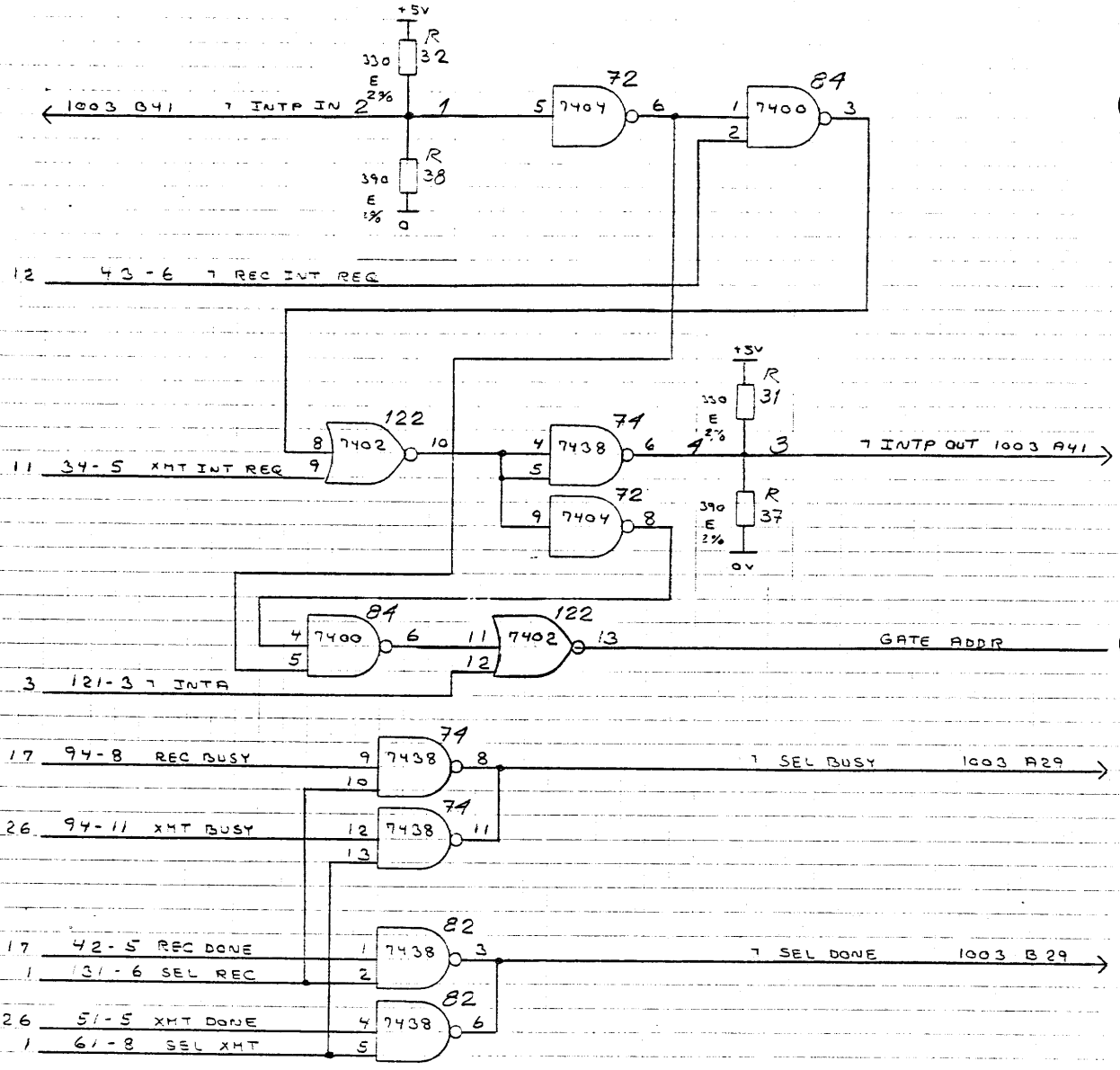


1003 B25 7 DATA 14



Replaced by Dwg. No. _____
 dia to EGN _____
 Replaces Dwg. No. _____
 Design Check _____
 Dwg. Office Check _____
 Drawn by _____
 Designed by _____
A/S REGNECENTRALEN

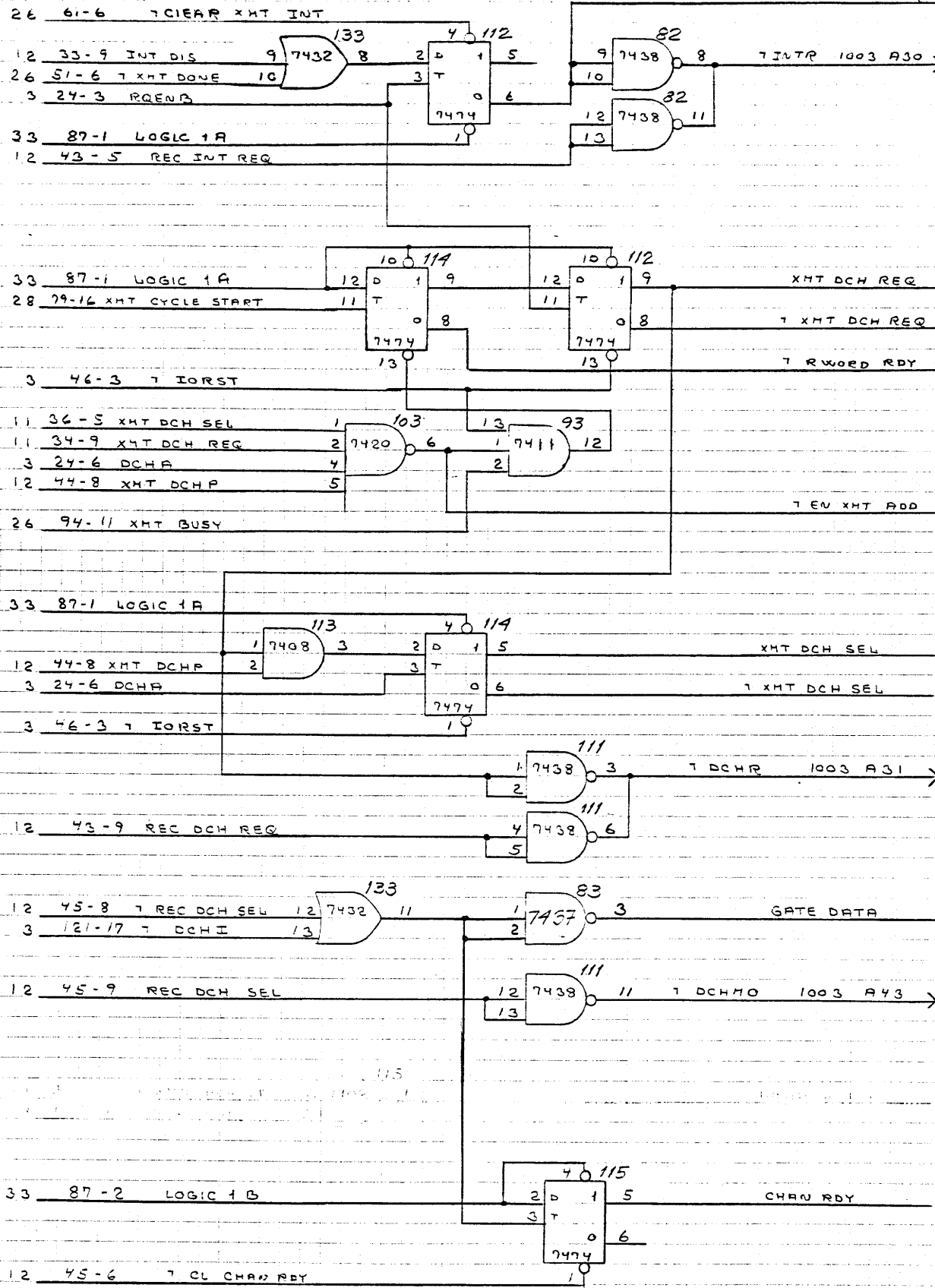
Unit FPA 705	IS BUS DATA BITS 14-15	9
Dwg. No. A13014	CIRCUIT DIAGRAM	



Replaced by Dwg. No. _____
 due to ECN _____
 Replaces Dwg. No. _____
 Design Check _____
 Dwg. Office Check _____
 Drawn by _____
 Designed by _____
A/S RECNECENTRALEN

Unit	INTERRUPT PRIORITY		1a
Dwg. No.	A13015		
CIRCUIT DIAGRAM			

XMT INT REQ

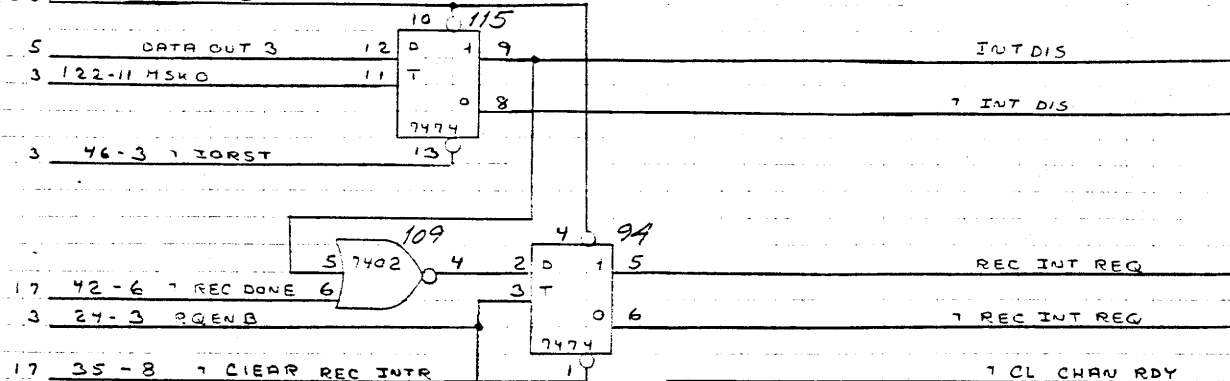


Replaced by Dwg. No. _____
 due to ECN _____
 Replaces Dwg. No. _____
 Design Check _____
 Dwg. Office Check _____
 Drawn by 181025 kcc/11/75
 Designed by 181025 kcc/11/75
A/S REGNECENTRALEN

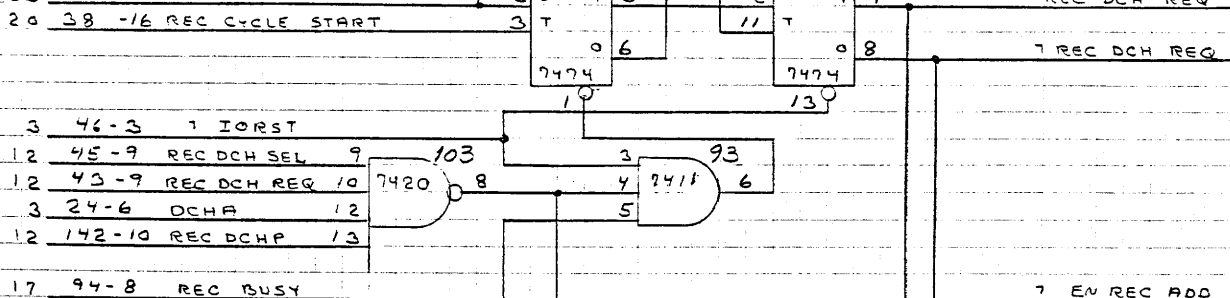
Unit EPA 705	TRANSMITTER INTERRUPT AND DCH CONTROL	11
Dwg. No. A13016	CIRCUIT DIS3294	

HC doc. VR 140

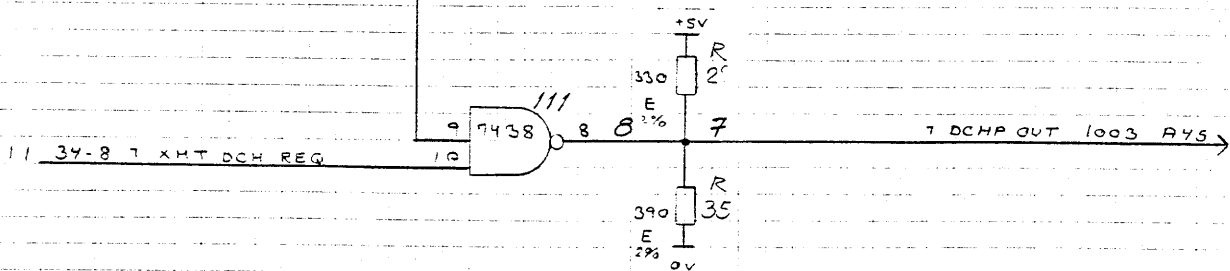
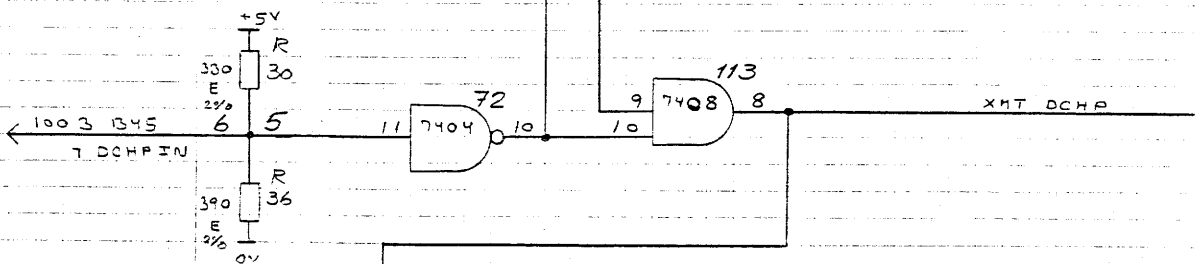
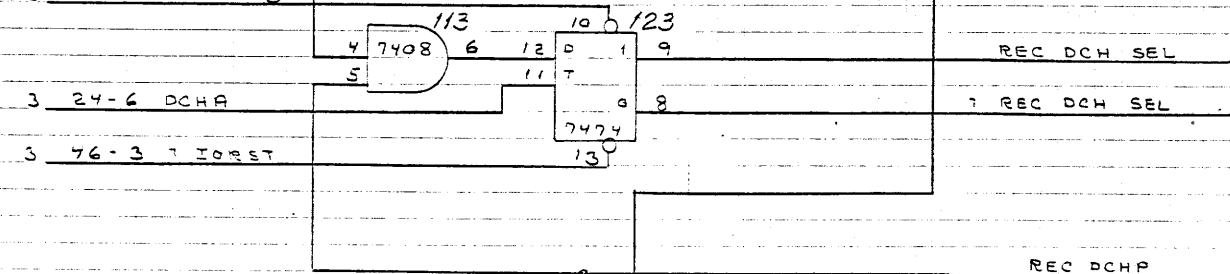
33 87-2 LOGIC 1 B



33 87-3 LOGIC 1 C

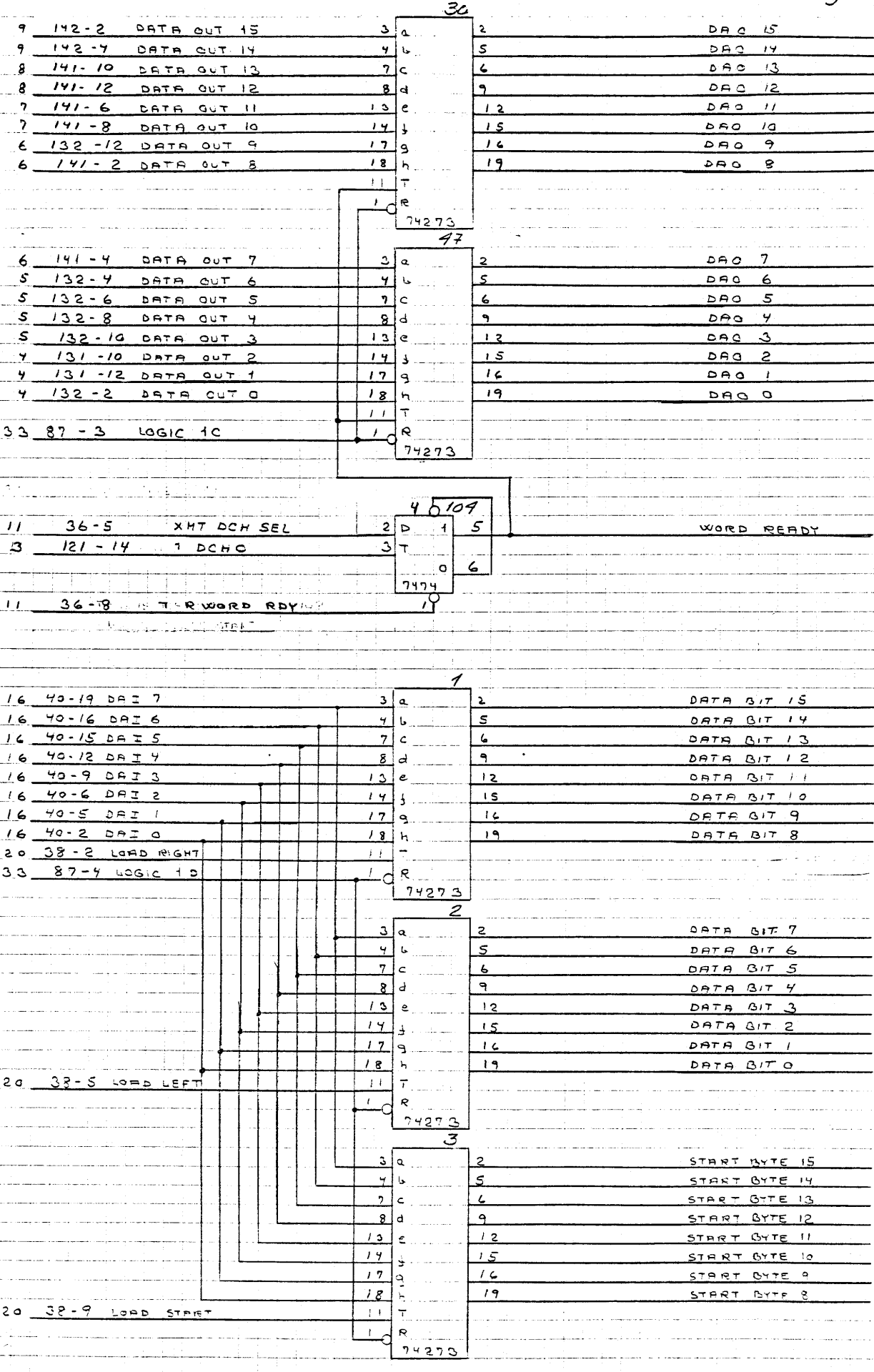


33 87-2 LOGIC 1 B



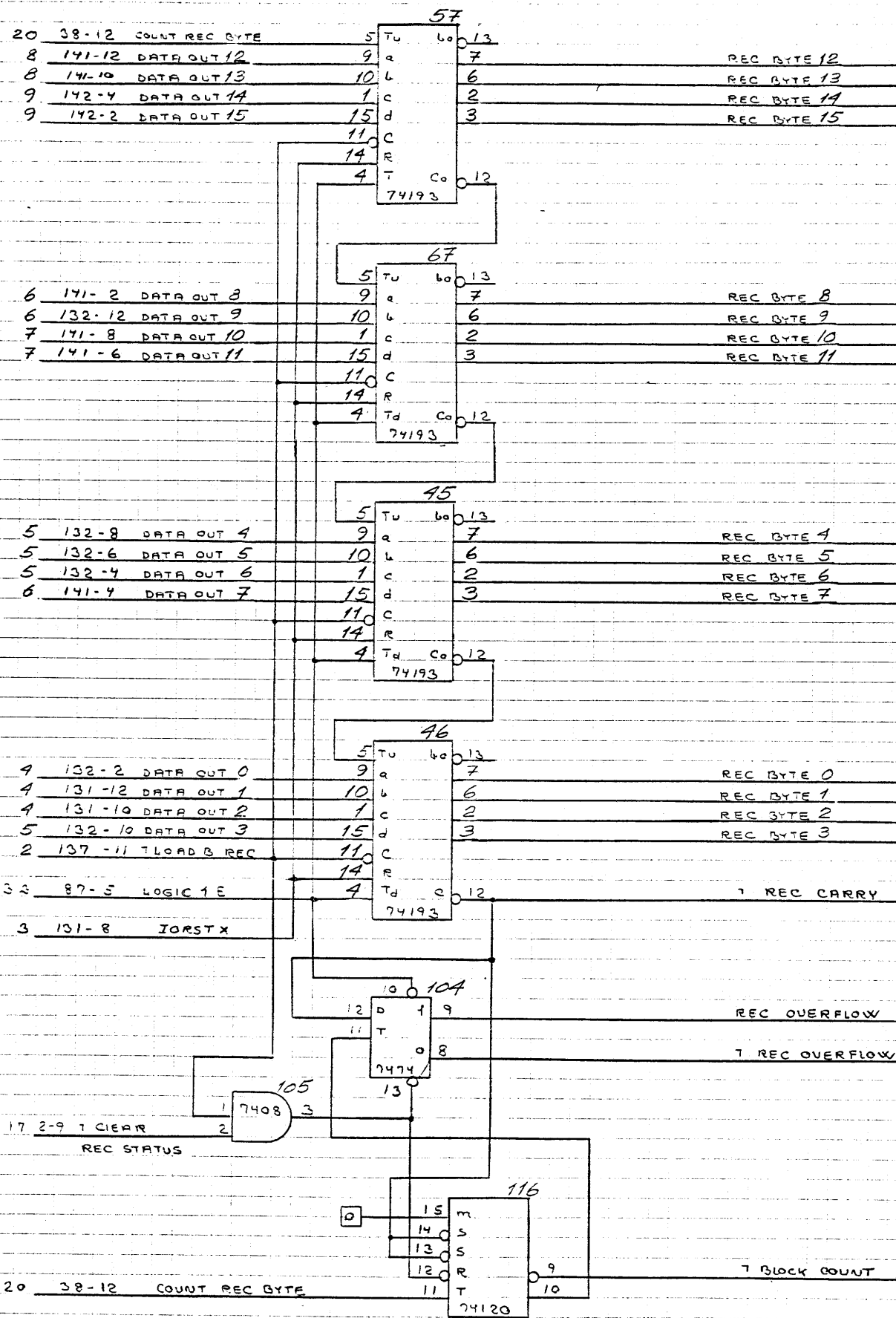
Replaces by Dwg. No. due to ECN
 Design Check
 Dwg. Office Check
 Drawn by
 Designed by
 A/S REGNENTRALEN

Unit 504 705	RECEIVER INTERRUPT AND DCH CONTROL	12
Dwg. No. A13017	CIRCUIT DIAGRAM	



Replaced by Dwg. No. _____
 due to ECN _____
 Replaces Dwg. No. _____
 Design Check _____
 Dwg. Office Check _____
 Drawn by _____
 Designed by _____
A/S REGNECENTRALEN

Unit EOL 205	DATA CHANNEL REGISTERS	13
Dwg. No. A13018	CIRCUIT DIAGRAM	

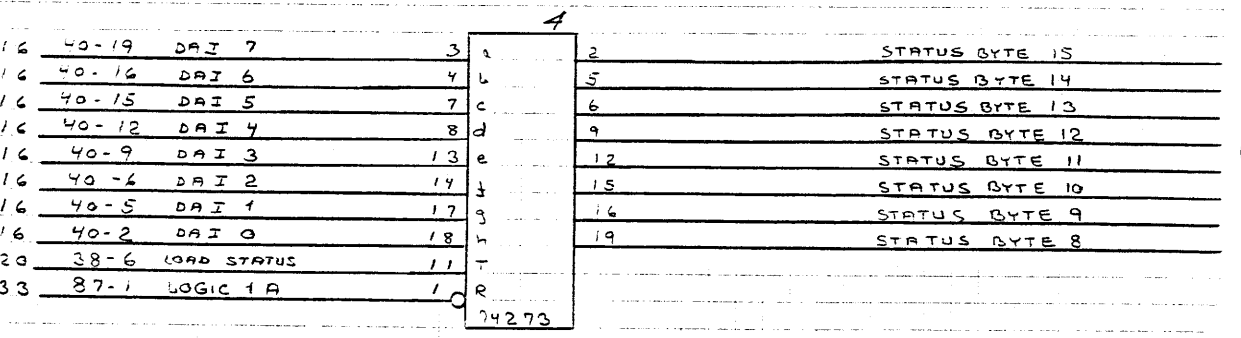
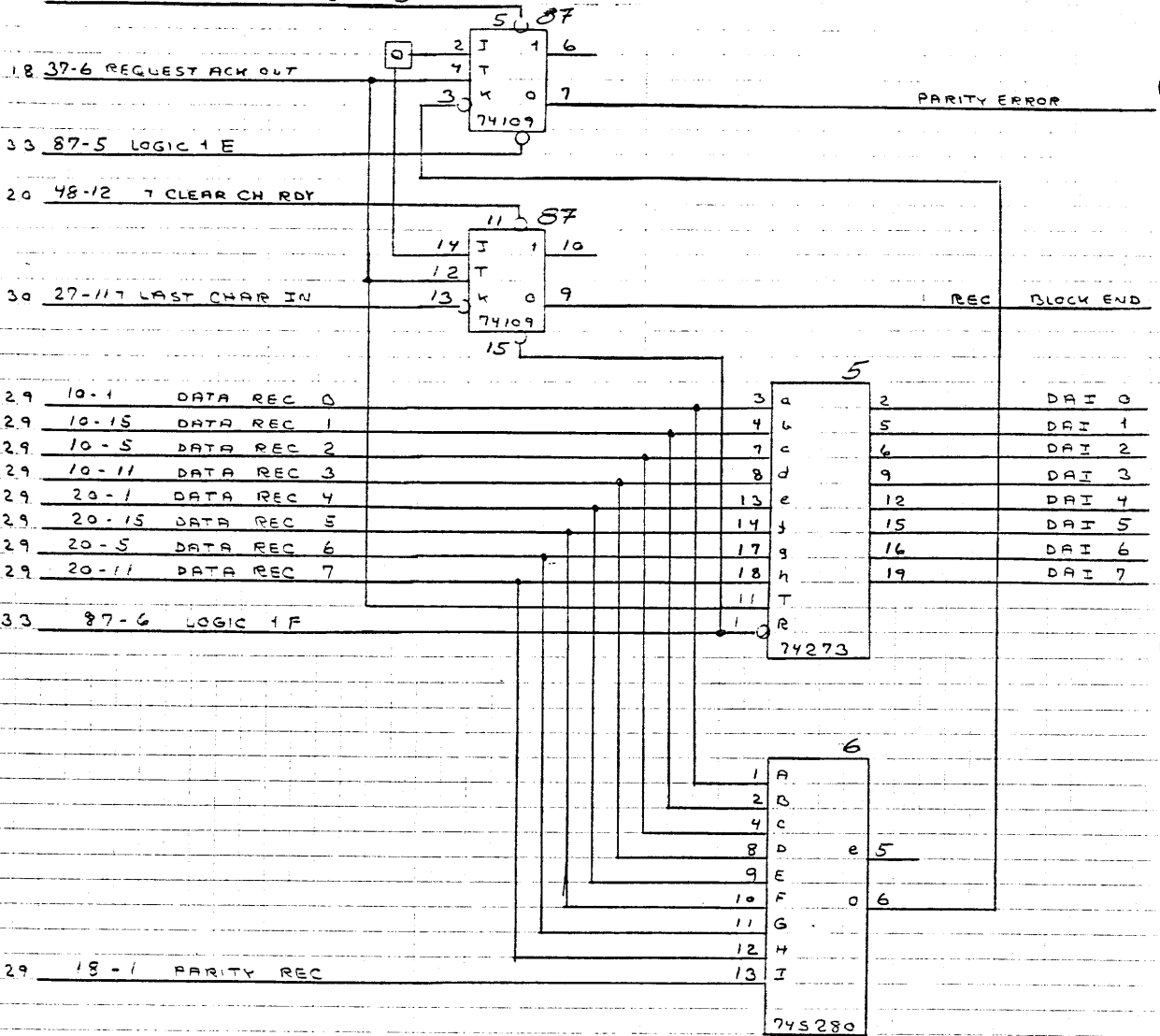


Replaced by Dwg. No.	
due to ECN	
Replaces Dwg. No.	
Design Check	
Dwg. Office Check	
Drawn by	7/3622
Designed by	121075 VUEH
A/S REGNECENTRALEN	

Unit	EPA 705	RECEIVER BYTE COUNTER	15
Dwg. No.	A13020	CIRCUIT DIAGRAM	

RC doc: VB 140

17 2-9 1 CLEAR REC STATUS



16	40-19	DAI 7	3	a	2	STATUS BYTE 15
16	40-16	DAI 6	4	b	5	STATUS BYTE 14
16	40-15	DAI 5	7	c	6	STATUS BYTE 13
16	40-12	DAI 4	8	d	9	STATUS BYTE 12
16	40-9	DAI 3	13	e	12	STATUS BYTE 11
16	40-6	DAI 2	14	f	15	STATUS BYTE 10
16	40-5	DAI 1	17	g	16	STATUS BYTE 9
16	40-2	DAI 0	18	h	19	STATUS BYTE 8
20	38-6	LOAD STATUS	11	T		
33	87-1	LOGIC 1 A	1	R		

Replaced by Dwg. No. _____
 due to ECN _____
 Replaces Dwg. No. _____
 Design Check _____
 Dwg. Office Check _____
 Drawn by 7756/2
 Designed by 1910 75 50171
A/S REGNENCENTRALEN

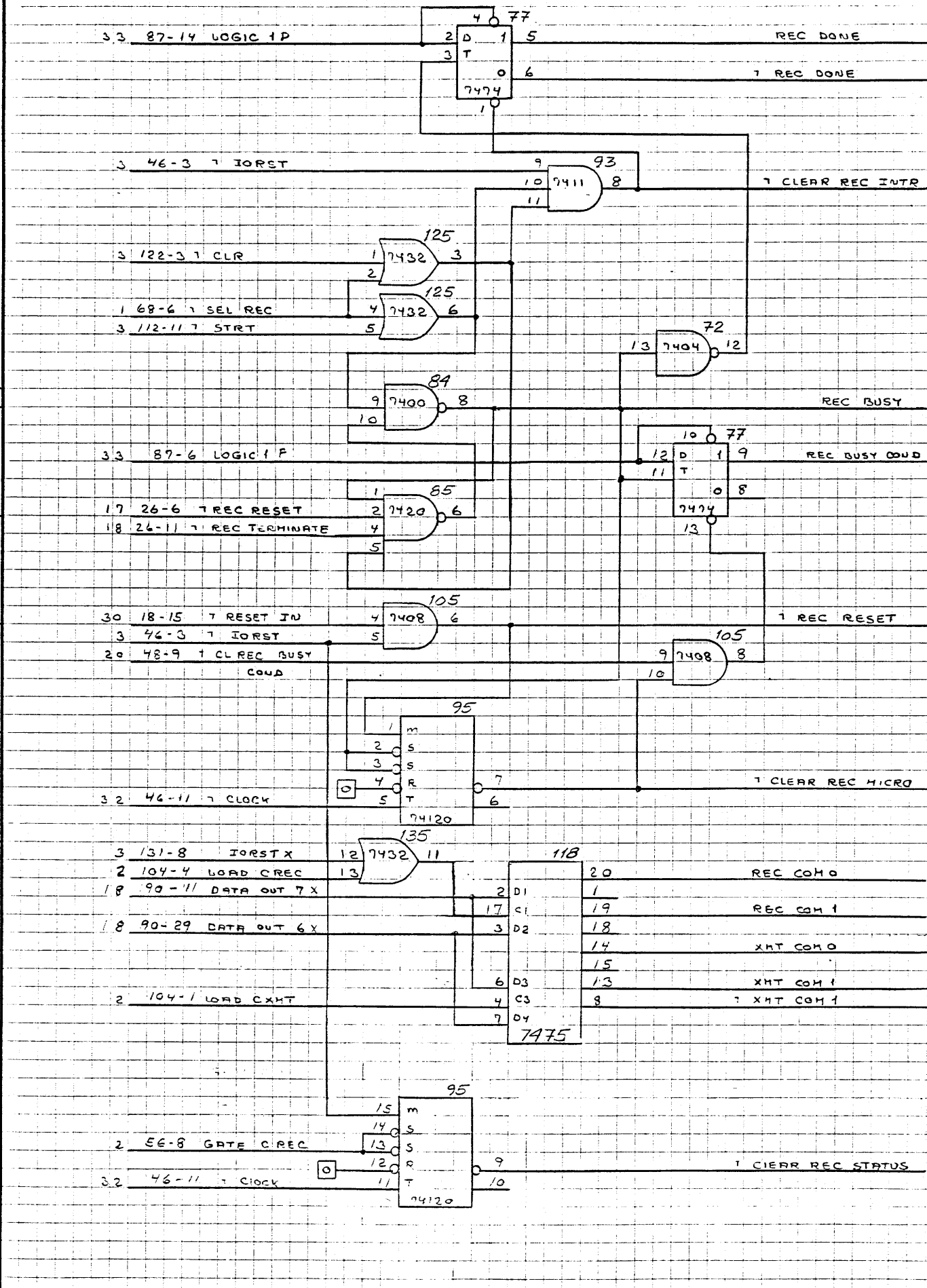
Unit: FEI 705

Dwg. No. A13021

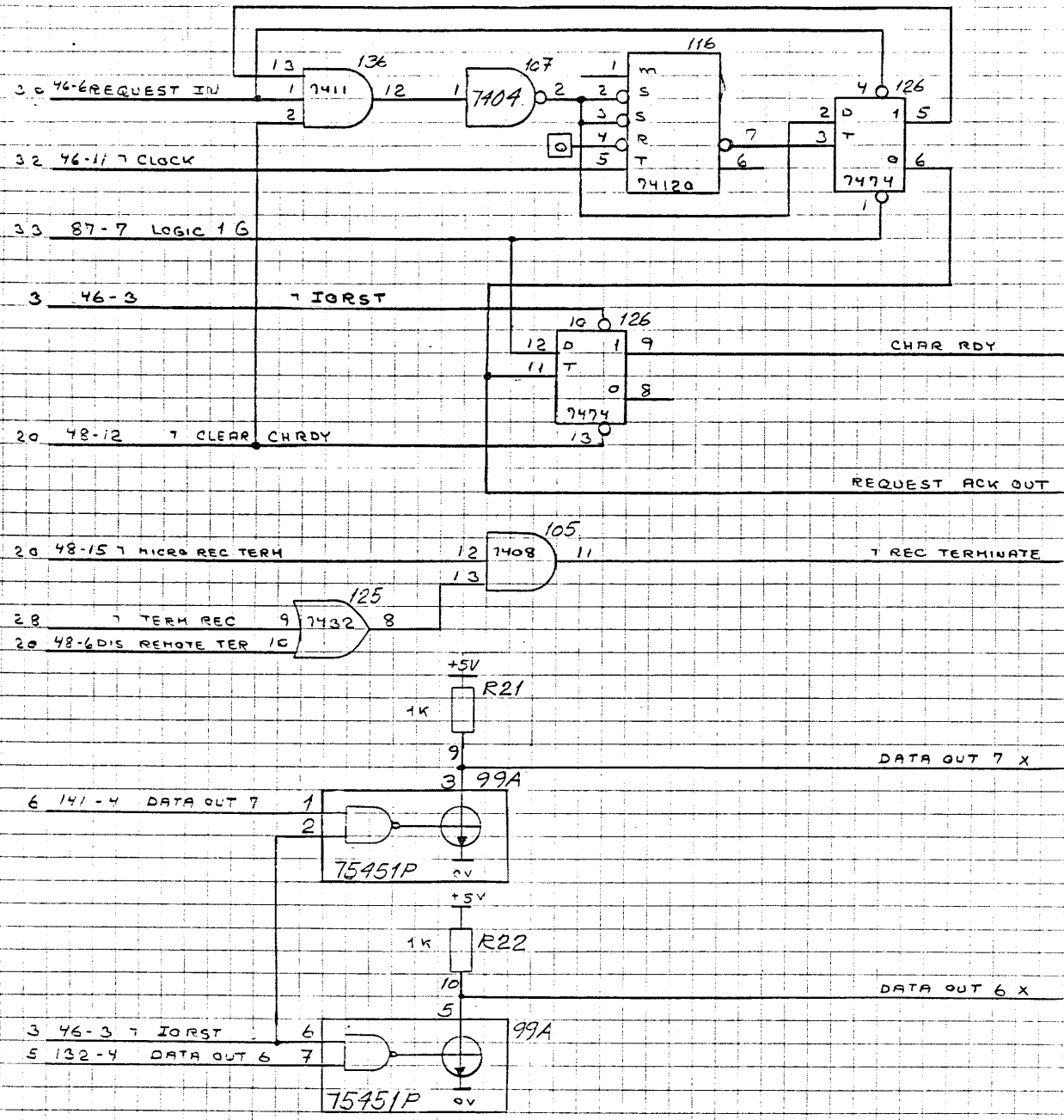
RECEIVER INPUT REGISTER AND PARITY CHECKER

16

Replaced by Dwg. No. _____
 due to ECN _____
 Replaces Dwg. No. _____
 Design Check _____
 Dwg. Office Check _____
 Drawn by _____
 Designed by _____
A/S REGNENSTRALLEN

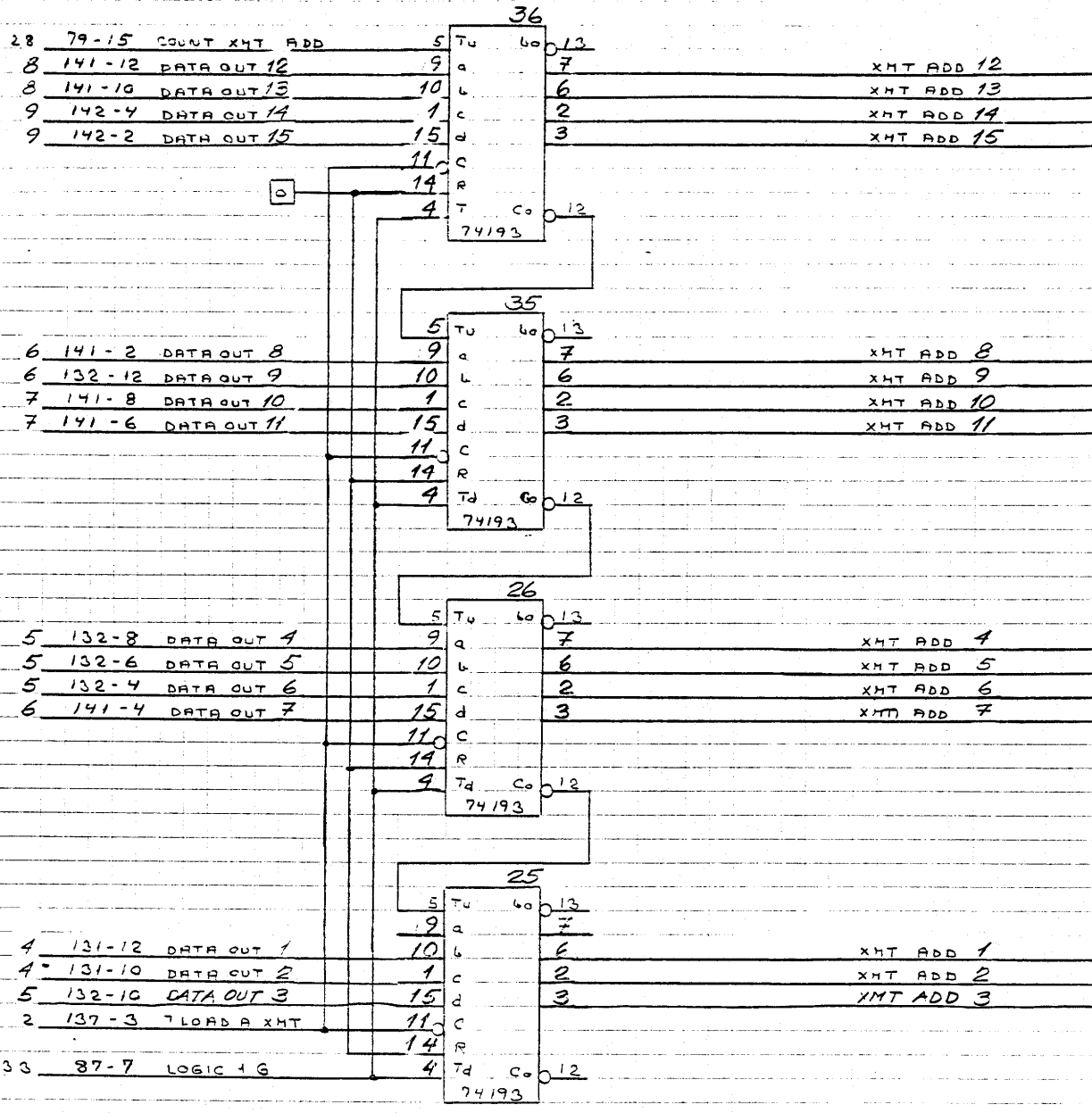


Unit	REGNENSTRALLEN	RECEIVER BUSY - DONE FLAGS AND COMMAND REGISTER	17
Dwg. No.	A13022	CIRCUIT DIAGRAM	



Replaced by Dwg. No. 12-010
 due to ECN
 Replaces Dwg. No. R11350
 Design Check
 Dwg. Office Check
 Drawn by 712522
 Designed by 73227 WUEH

Unit FOA 705	RECEIVER CONTROLS	18
Dwg. No. A13023	Circuit Diagram	

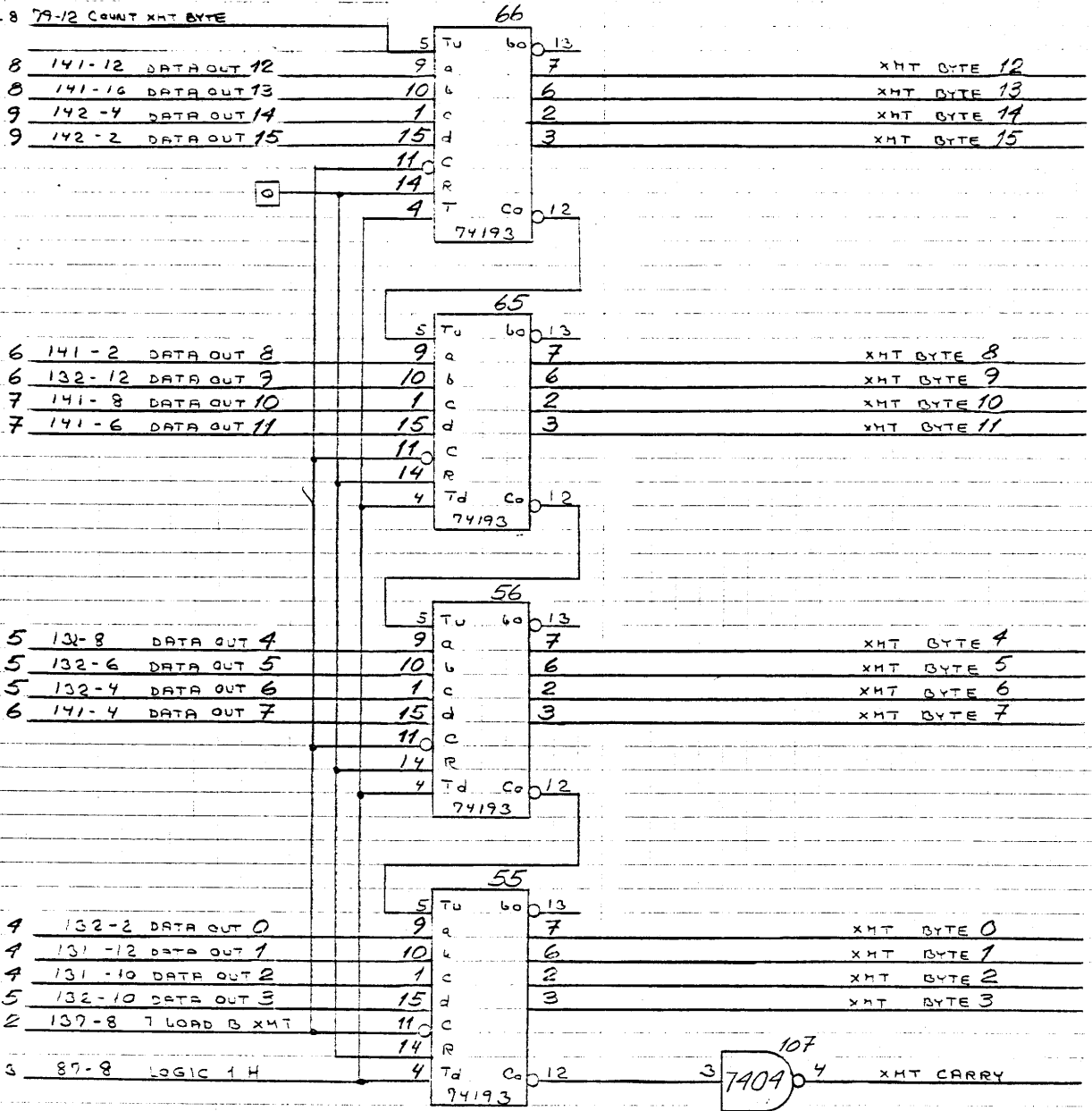


Replaced by Dwg. No.
due to ECN
Replaces Dwg. No.
Design Check
Dwg. Office Check
Drawn by KUEH / 1/26/77
Designed by IRIUT
A/S REGNECENTRALEN
Unit EPA 705
Dwg. No. A13026

TRANSMITTER ADDRESS COUNTER

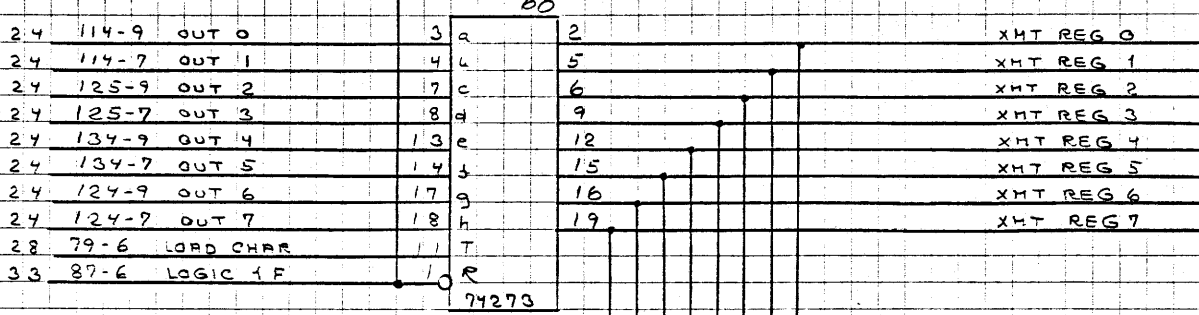
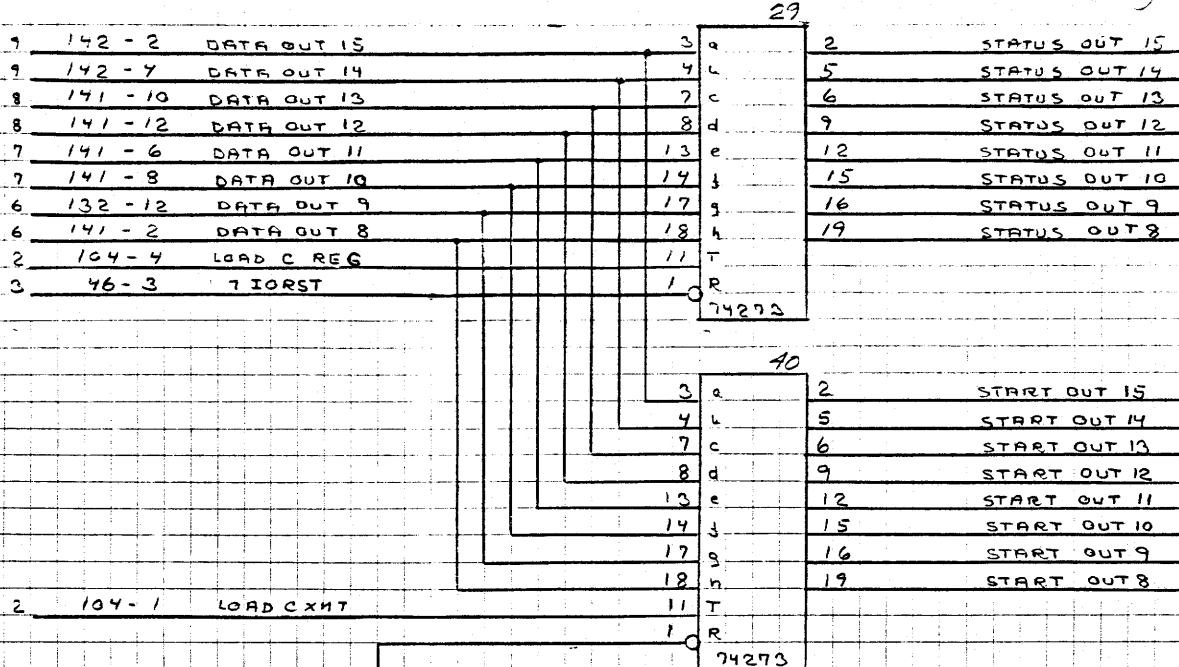
CIRCUIT DIAGRAM

28 79-12 COUNT XMT BYTE



Unit
EPA 705
Dwg. No.
A13027
Designed by
18/13/75 KWHM
Drawn by
1/7/75, 82
Design Check
Replaces Dwg. No.
due to ECN
Replaced by Dwg. No.

Unit EPA 705	TRANSMITTER BYTE COUNTER	22
Dwg. No. A13027	CIRCUIT DIAGRAM	



Replaced by Dwg. No. _____
 due to ECN _____
 Replaces Dwg. No. _____
 Design Check _____
 Dwg. Office Check _____
 Drawn by 110622
 Designed by KMEH

A/S REGNENTRALEN

Unit 09 05
 Dwg. No. A13028

START BYTE - STATUS BYTE OUTPUT BUFFER
 OUTPUT REGISTER AND PARITY GENERATOR

OV OV
10 150 49

13	123-2	DAQ 5	6	a0	
13	143-2	DAQ 7	5	a1	
23	113-2	STATUS OUT 15	4	a2	
23	133-2	START OUT 15	3	a3	
13	123-5	DAQ 14	10	b0	
13	143-5	DAQ 6	11	b1	
23	113-5	STATUS OUT 14	12	b2	
23	133-5	START OUT 14	13	b3	
				7	OUT 7
				9	OUT 6
				74153	
				2	14

OV OV
10 150 50

13	123-6	DAQ 13	6	a0	
13	143-6	DAQ 5	5	a1	
23	113-6	STATUS OUT 13	4	a2	
23	133-6	START OUT 13	3	a3	
13	123-9	DAQ 12	10	b0	
13	143-9	DAQ 4	11	b1	
23	113-9	STATUS OUT 12	12	b2	
23	133-9	START OUT 12	13	b3	
				7	OUT 5
				9	OUT 4
				74153	
				2	14

OV OV
10 150 39

13	123-12	DAQ 11	6	a0	
13	143-12	DAQ 3	5	a1	
23	113-12	STATUS OUT 11	4	a2	
23	133-12	START OUT 11	3	a3	
13	123-15	DAQ 10	10	b0	
13	143-15	DAQ 2	11	b1	
23	113-15	STATUS OUT 10	12	b2	
23	133-15	START OUT 10	13	b3	
				7	OUT 3
				9	OUT 2
				74153	
				2	14

OV OV
10 150 70

13	123-16	DAQ 9	6	a0	
13	143-16	DAQ 1	5	a1	
23	113-16	STATUS OUT 9	4	a2	
23	133-16	START OUT 9	3	a3	
13	123-19	DAQ 8	10	b0	
13	143-19	DAQ 0	11	b1	
23	113-19	STATUS OUT 8	12	b2	
23	133-19	START OUT 8	13	b3	
				7	OUT 1
				9	OUT 0
				74153	
				2	14

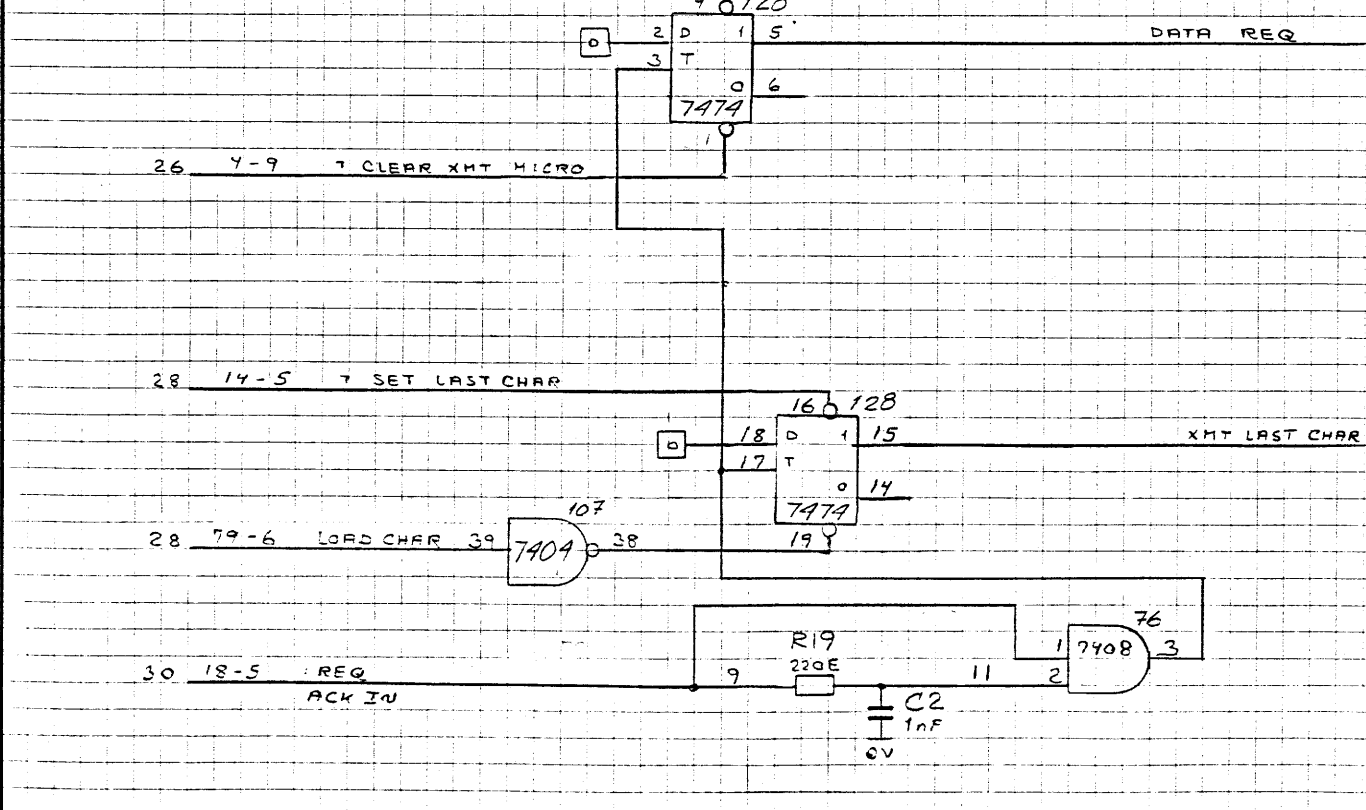
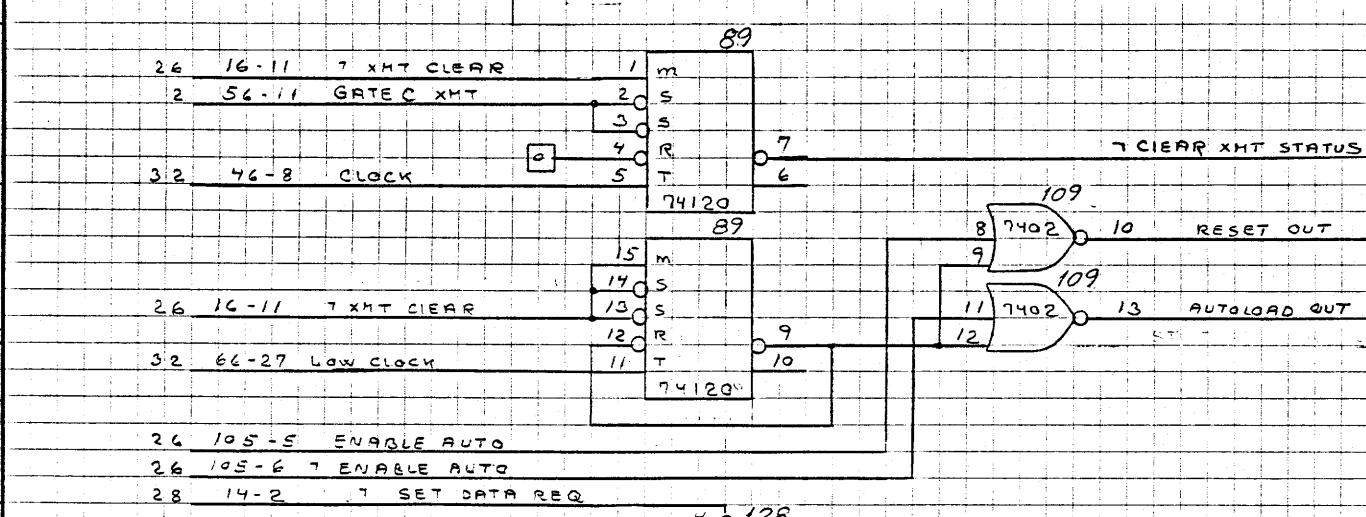
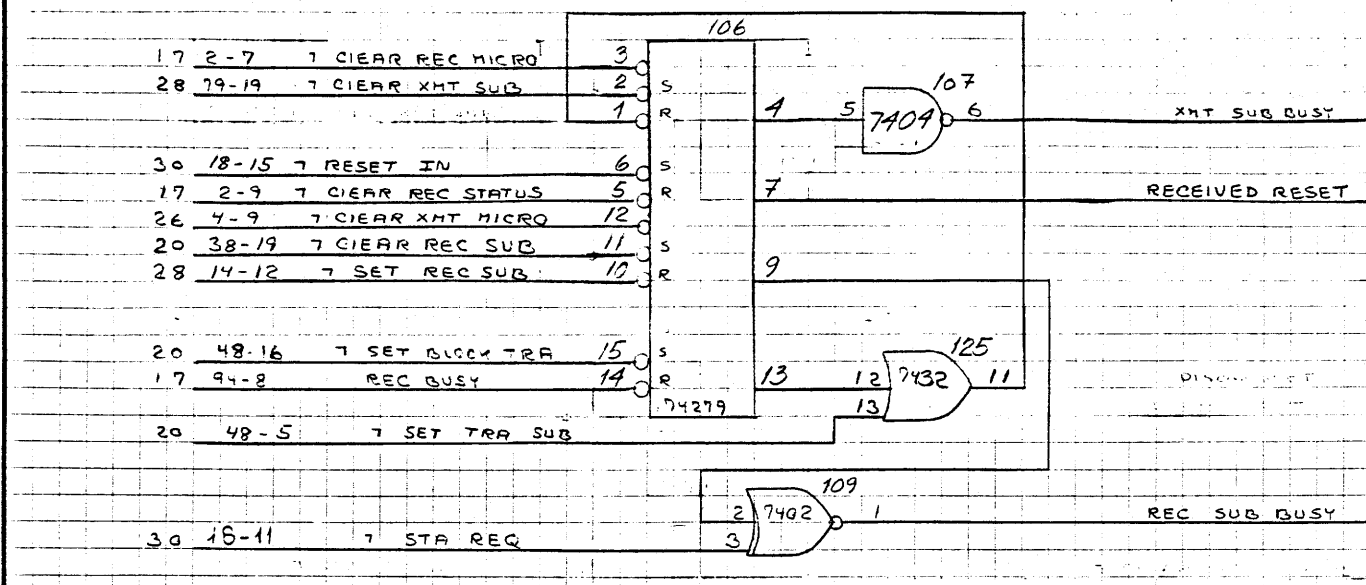
28	79-2	BYTE SEL 0	2	14
28	79-5	BYTE SEL 1		

Replaced by Dwg. No.
due to ECN
Replaces Dwg. No.
Design Check
Dwg. Office Check
Drawn by
Designed by
A/S REGNENTRALEN

Unit
EPA 705
Dwg. No.
A13029

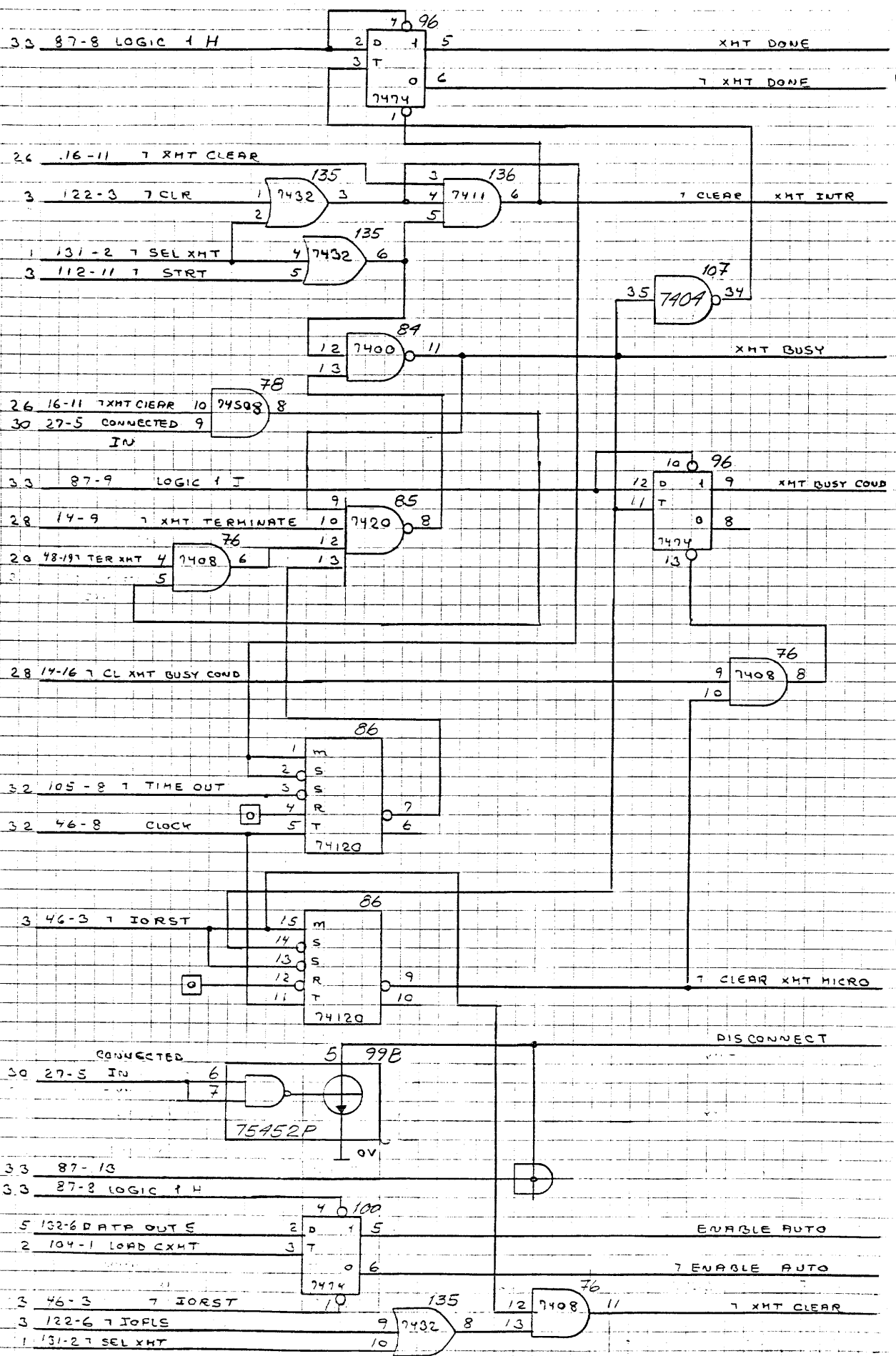
TRANSMITTER DATA BYTE SELECTOR

CIRCUIT DIAGRAM



Replaced by Dwg. No. 18-010
 due to ECN
 Replaces Dwg. No. R11357
 Design Check
 Dwg. Office Check
 Drawn by 110622
 Designed by 77207 KUEH
A/S REGNENTRALEN

Unit 104 105	TRANSMITTER CONTROLS	25
Dwg. No. A/3030	CIRCUIT DIAGRAM	



Replaced by Dwg. No. _____
 due to ECN _____
 Replaces Dwg. No. _____
 Design Check _____
 Dwg. Office Check _____
 Drawn by 11/22/22
 Designed by 21/05/25
A/S REGNENTRALEN

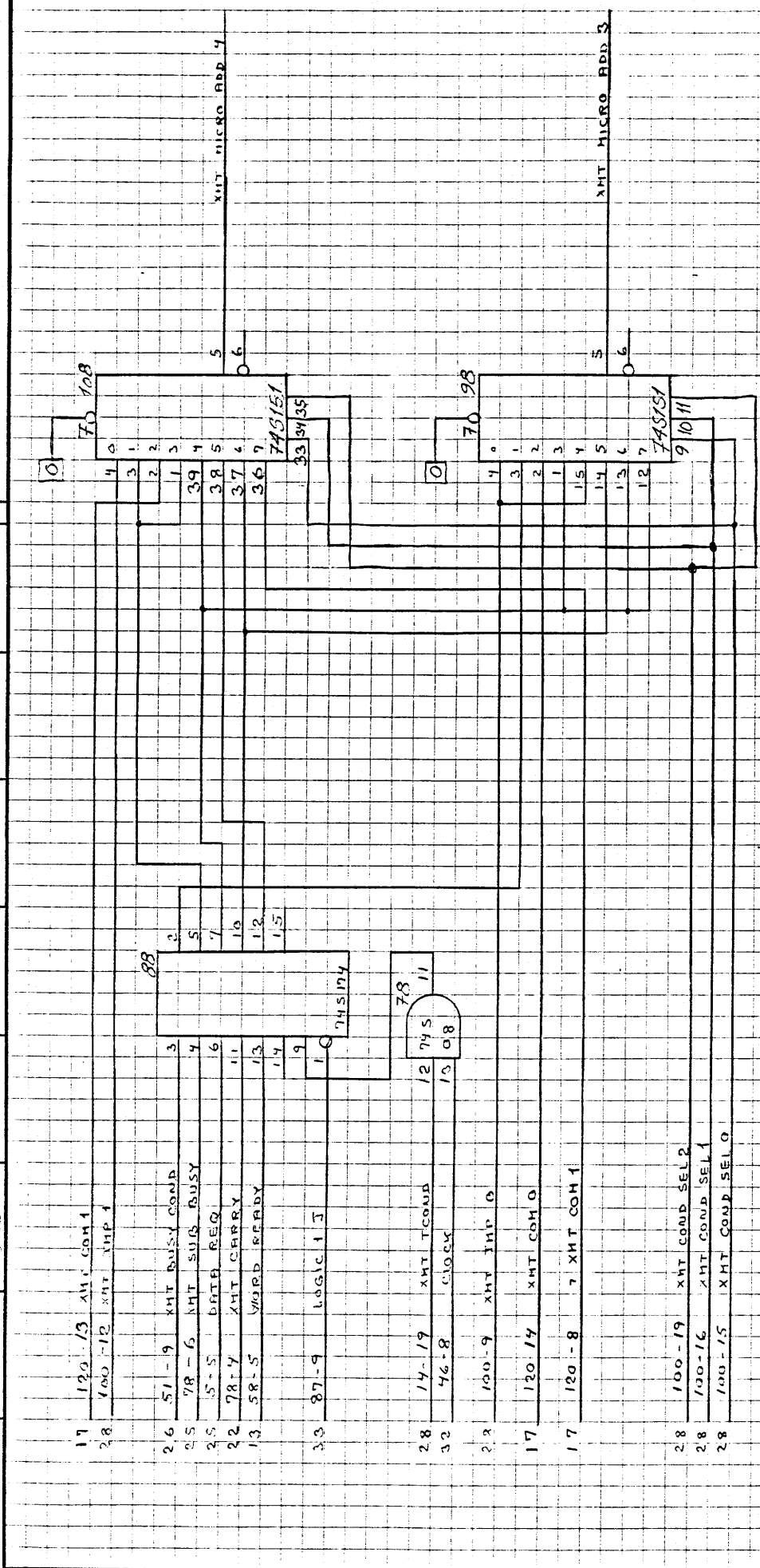
Unit
 FPA 705
 Dwg. No.
A13031

TRANSMITTER BUSY - DONE FLAGS
 AND COMMAND REG
 CIRCUIT DIAGRAM

AC doc: VB 140

A/S REGNENTRALEN	Designed by	Drawn by	Dwg. Office Check	Design Check	Replaces Dwg. No.	due to ECN	Replaced by Dwg. No.
	2319-95 KUEH	7/16/52					

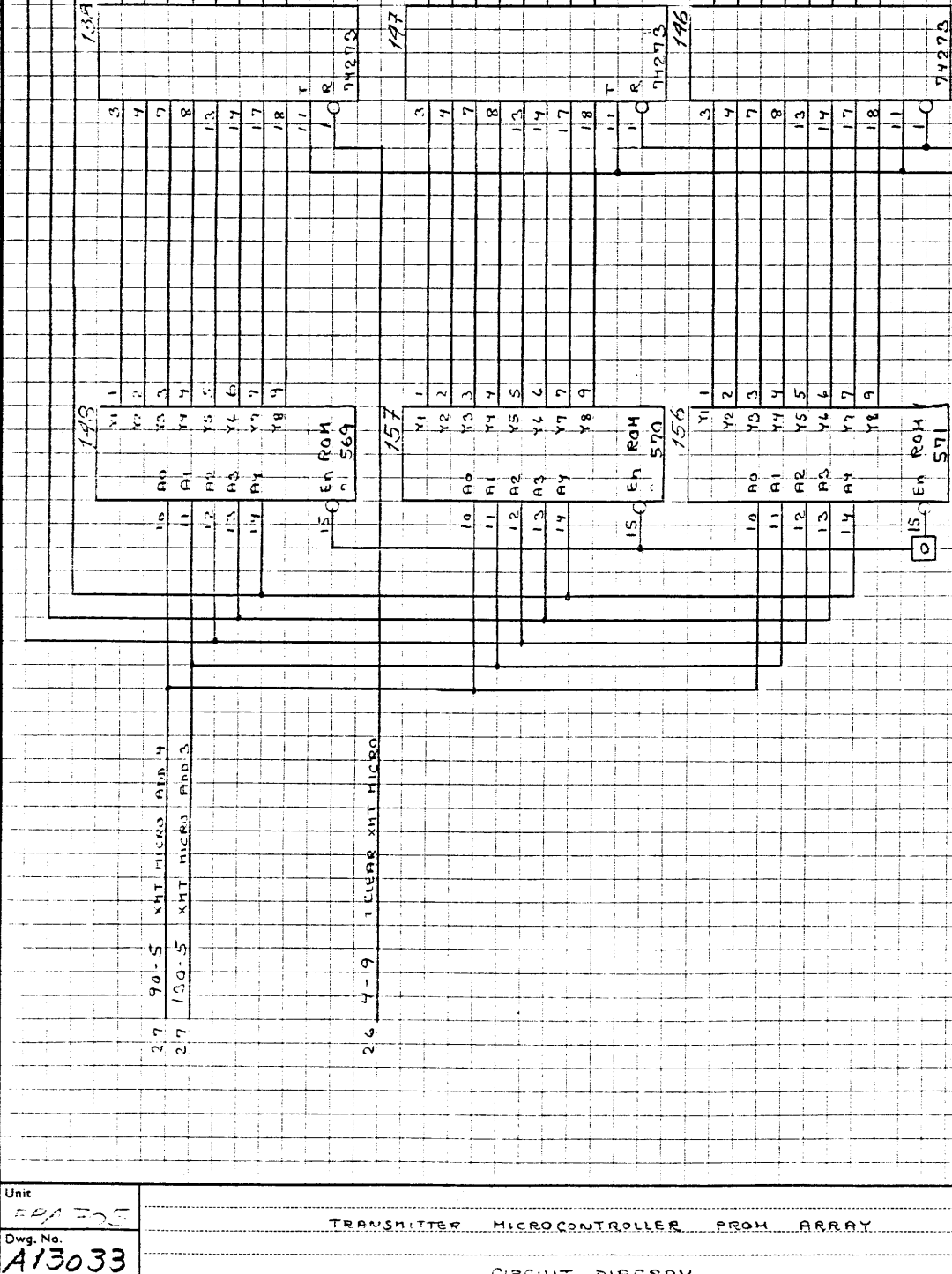
Unit	104 105
Dwg. No.	A13032



TRANSMITTER CONDITION LATCH / SELECTOR

CIRCUIT DIAGRAM

Designed by S. A. 13035 KWEH	Drawn by 1/15/77	Dwg. Offices Check	Design Check	Replaces Dwg. No.	due to ECN	Replaced by Dwg. No.
---------------------------------	---------------------	--------------------	--------------	-------------------	------------	----------------------



2.7 90-5 XMT MICRO ADDR 4
2.7 100-5 XMT MICRO ADDR 3

2.6 4-9 CLEAR XMT MICRO

3.0 87-9 LOGIC 1 J
3.2 76-8 CLOCK

159

158

157

157

156

156

74273

- XMT JMP 0
- XMT JMP 1
- XMT COND SEL 0
- XMT COND SEL 1
- XMT COND SEL 2

- BYTE SEL 0
- BYTE SEL 1
- LOAD CHAR
- STATUS REQ
- COUNT XMT BYTE
- COUNT XMT ADDR
- XMT CYCLE START
- CLEAR XMT SUB

- 1 SET DATA REG
- 1 SET LAST CHAR
- 1 TERH REC
- 1 XMT TERMINATE
- 1 SET REC SUB
- 1 RELEASE TIMER
- 1 CI XMT BUSY COND
- XMT TCOND

Unit EPA 705	TRANSMITTER MICROCONTROLLER PROM ARRAY	28
Dwg. No. A13033	CIRCUIT DIAGRAM	

Unit
 Dwg. No.
A13034

Designed by
 P. J. W. KUEH

Drawn by
 7/10/22

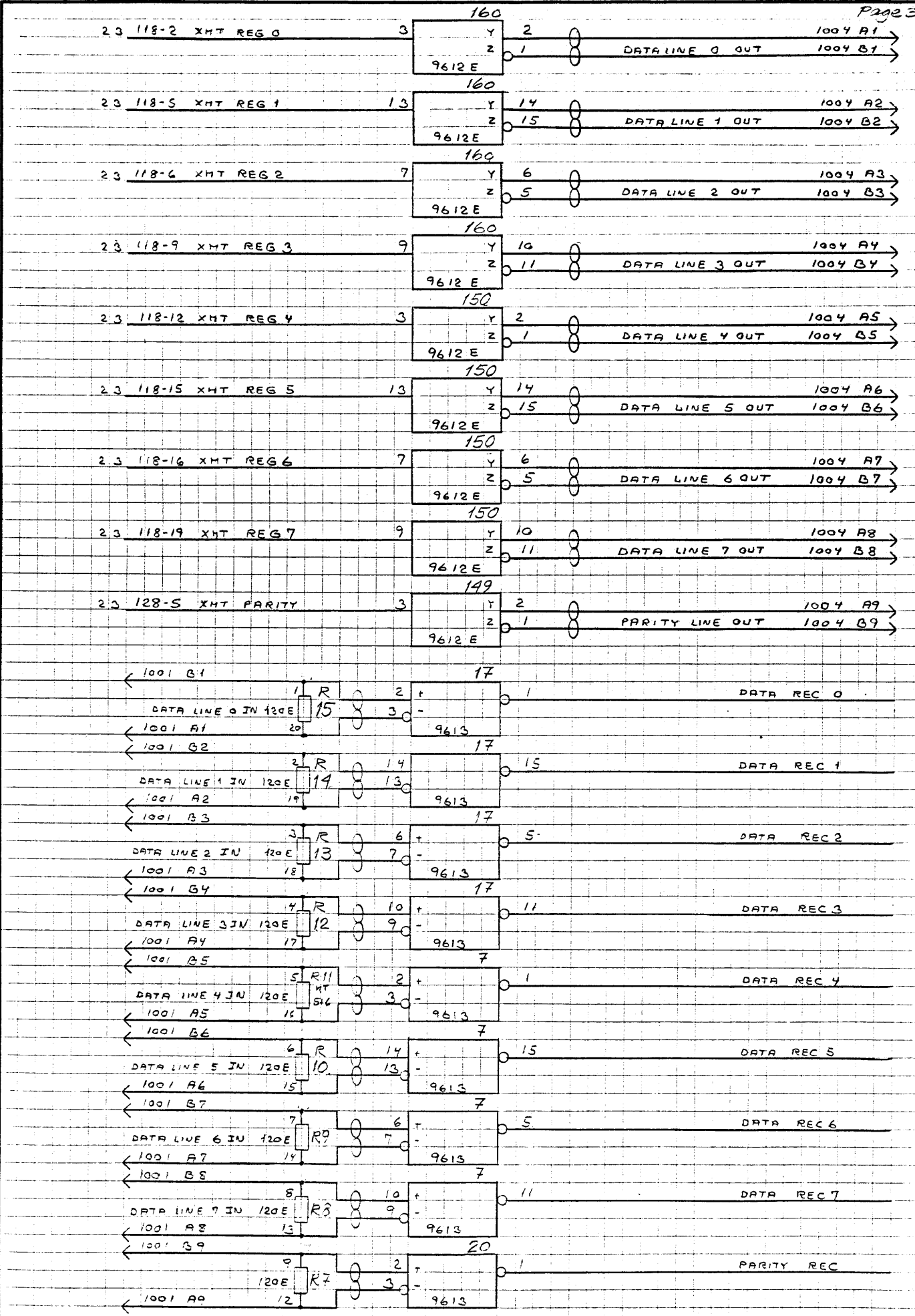
Dwg. Office Check

Design Check

Replaces Dwg. No.

due to ECN

Replaced by Dwg. No.



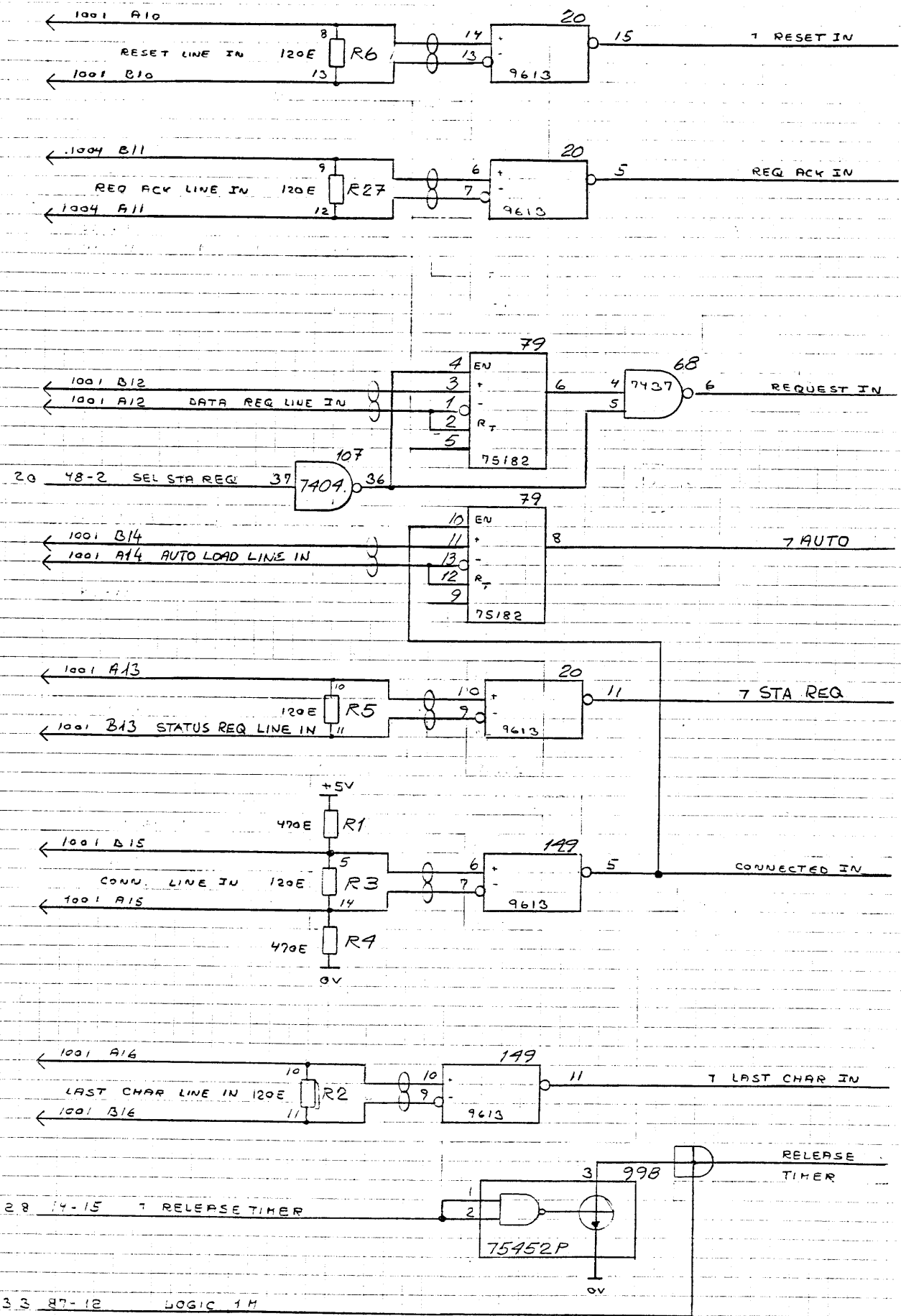
Unit = FA 705

Dwg. No. **A13034**

DATA LINES TO AND FROM FPA BUS

CIRCUIT DIAGRAM

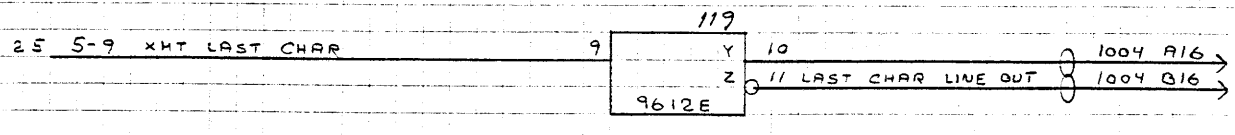
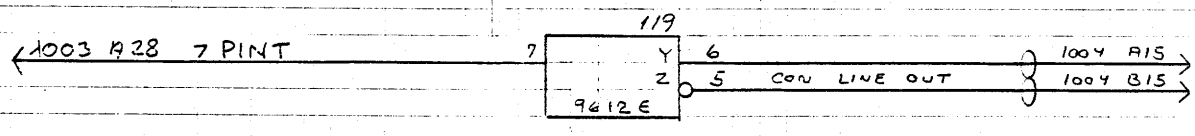
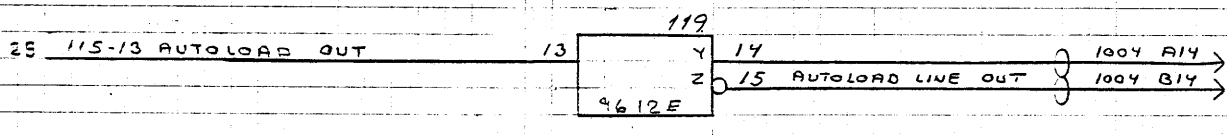
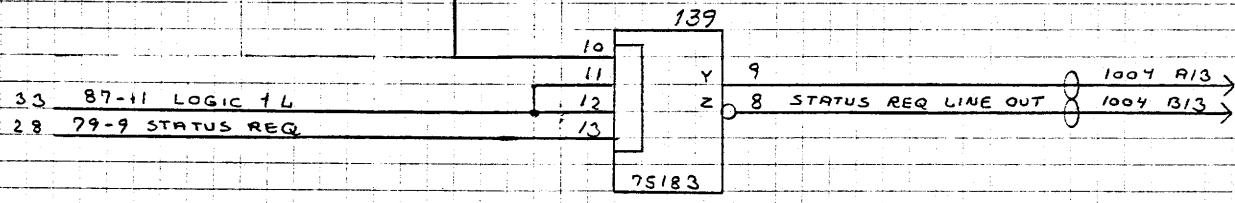
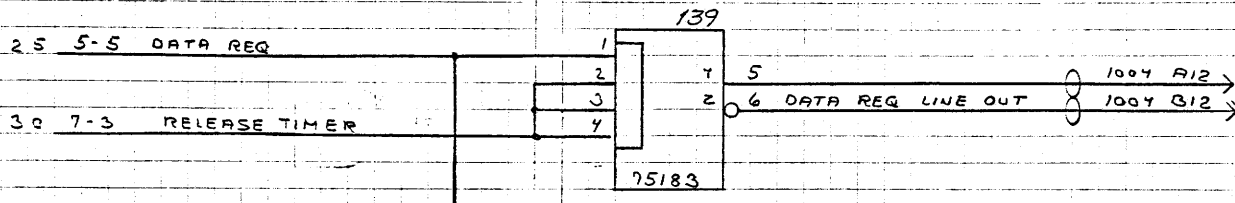
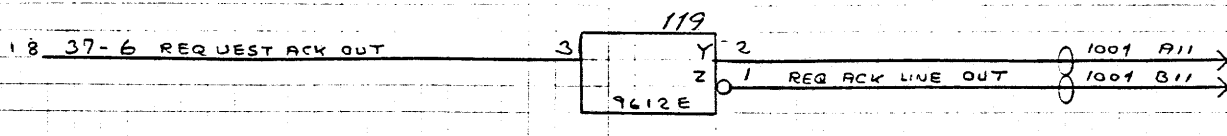
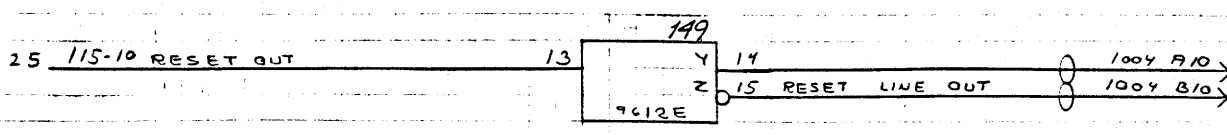
29



Unit
 59A 305
 Dwg. No.
 A13035

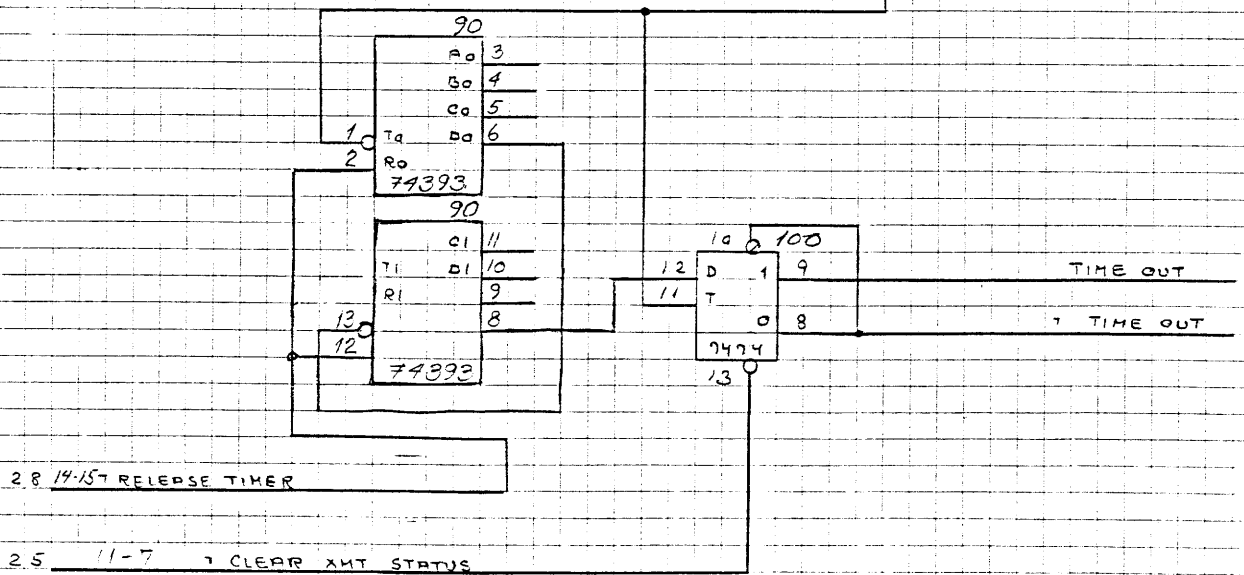
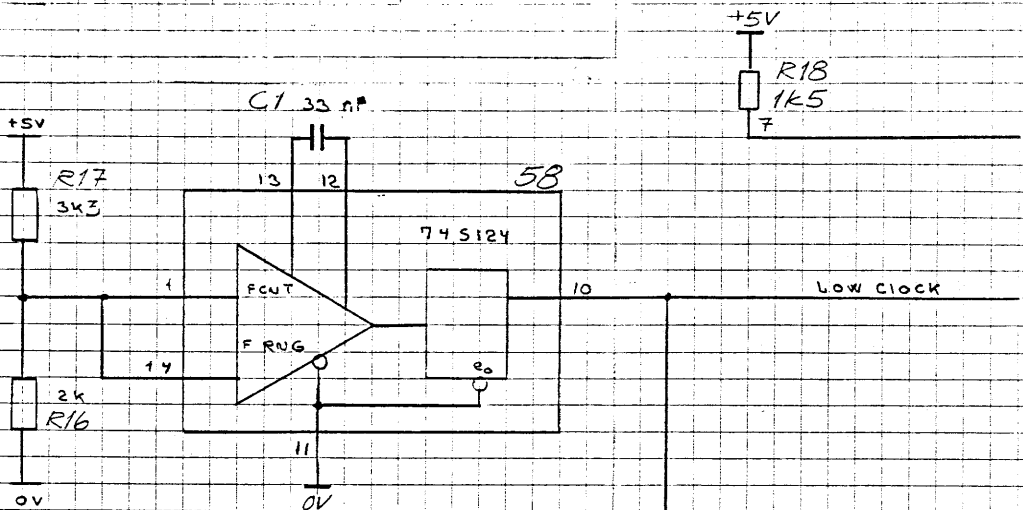
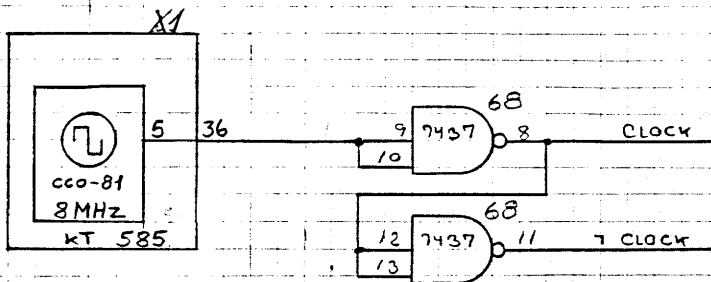
Unit	59A 305	CONTROL LINES FROM FPR BUS	30
Dwg. No.	A13035	CIRCUIT DIAGRAM	

RC doc: VB 140



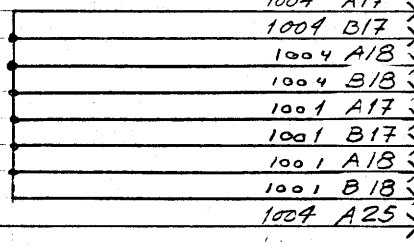
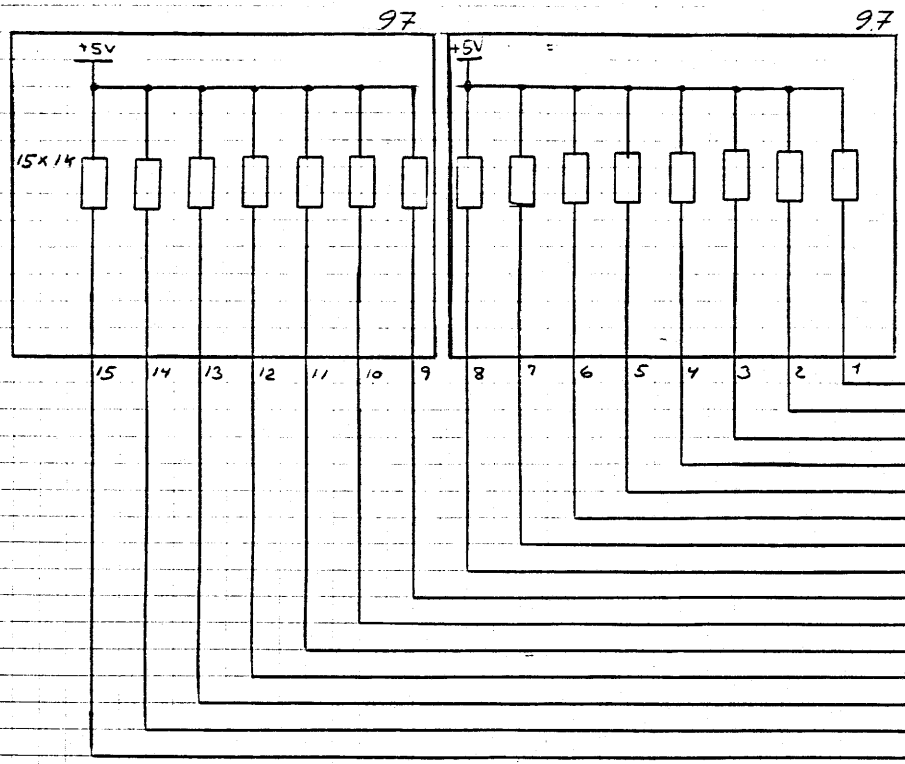
Replaced by Dwg. No.	due to ECN	Replaces Dwg. No.	Design Check	Dwg. Office Check	Drawn by	Designed by
	18-010	R 11363			770022	770022
A/S REGNECENTRALEN						
Unit	CONTROL LINES TO FAA BUS					31
Dwg. No.	A13036					

CIRCUIT DIAGRAM

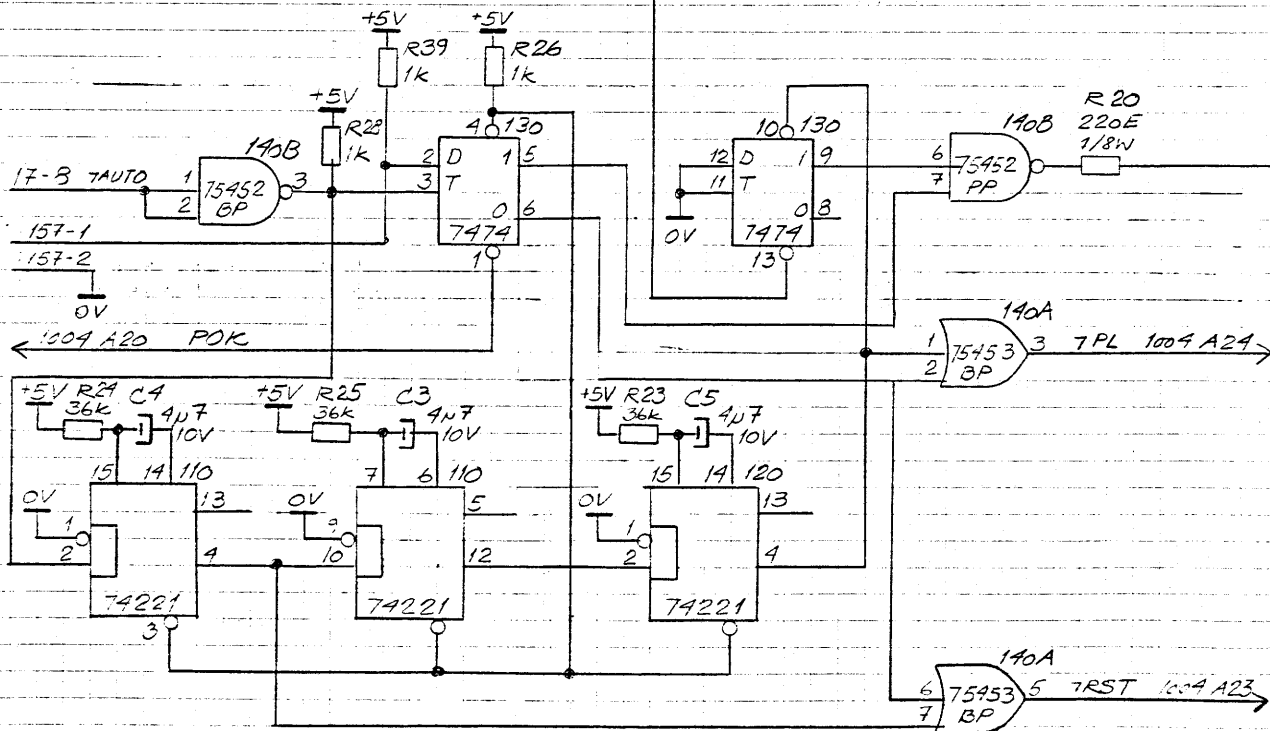


Replaced by Dwg. No. 18-015
 due to ECN R11364
 Replaces Dwg. No. R11364
 Design Check
 Dwg. Office Check
 Drawn by WUEH 77552
 Designed by WUEH 77552
AIS REGNENCENTRALEN

Unit	504705	CLOCK OSCILLATOR AND TRANSMITTER TIMER	32
Dwg. No.	A13037		
CIRCUIT DIAGRAM			



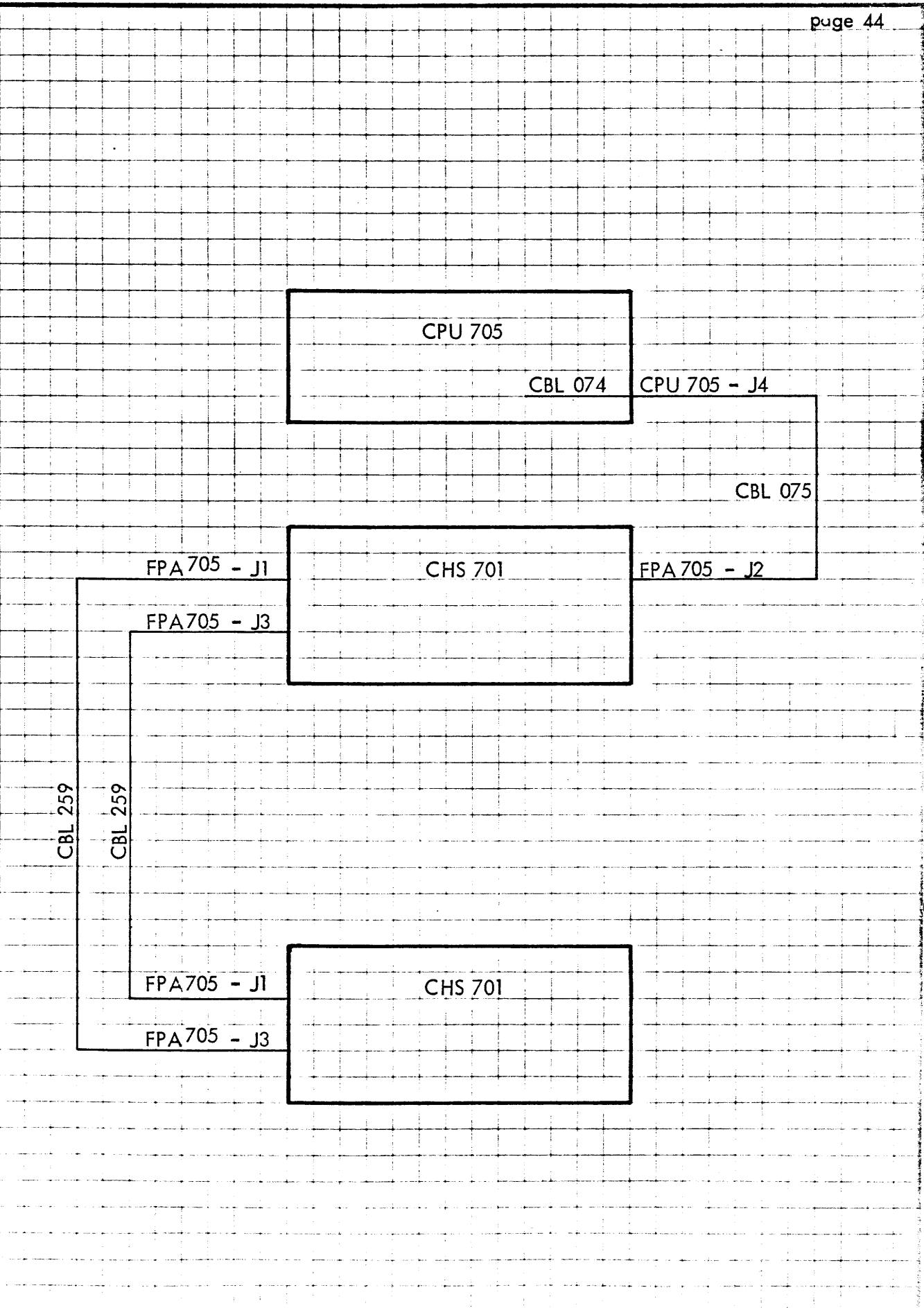
3 46-3 7 IORST
16-3 7 IORST



Replaced by Dwg. No. 18-010
due to ECN
Replaced Dwg. No. R11365
Design Check
Dwg. Office Check
Drawn by 770602
Designed by 770207 KUEH
A/S REGNENTRALEN

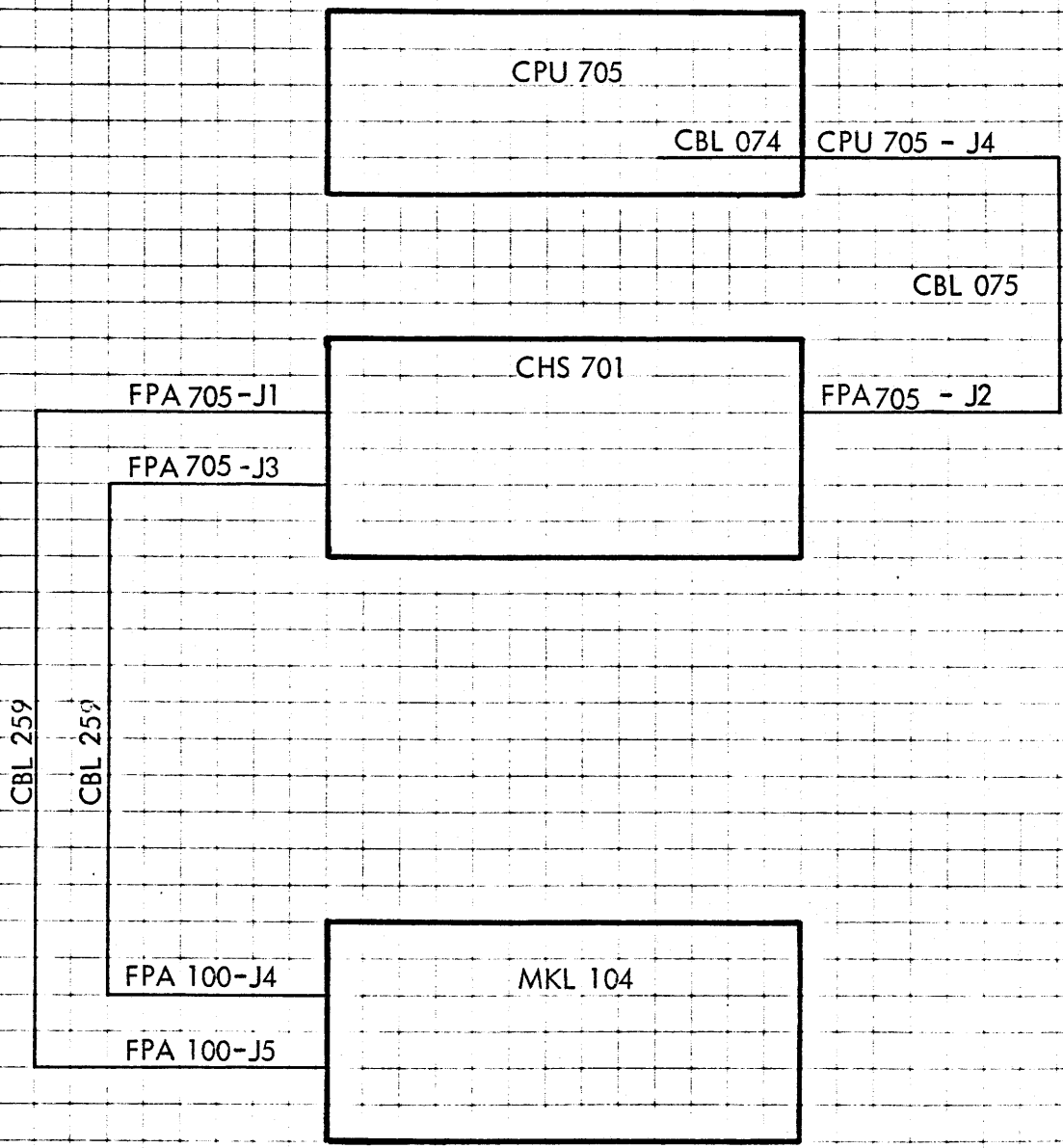
Unit	SP/ 705	1- GENERATORS	33
Dwg. No.	A13038	CIRCUIT DIAGRAM	

A/S REGNECENTRALEN
 Designed by 760205 KNEH
 Drawn by 750325 AMS
 Dwg. Office Check
 Design Check
 Replaces Dwg. No.
 due to ECN
 Replaced by Dwg. No.



Umic
 FPA 705
 Dwg. No. A25155
 RC 3600 - RC 3600
INTERCONNECTION DIAGRAM

Designed by 760205 KNEH 760325 AMS	Drawn by AMS	Dwg. Office Check	Design Check	Replaces Dwg. No.	due to ECN	Replaced by Dwg. No.



AGF 227

A/S REGNECENTRALEN

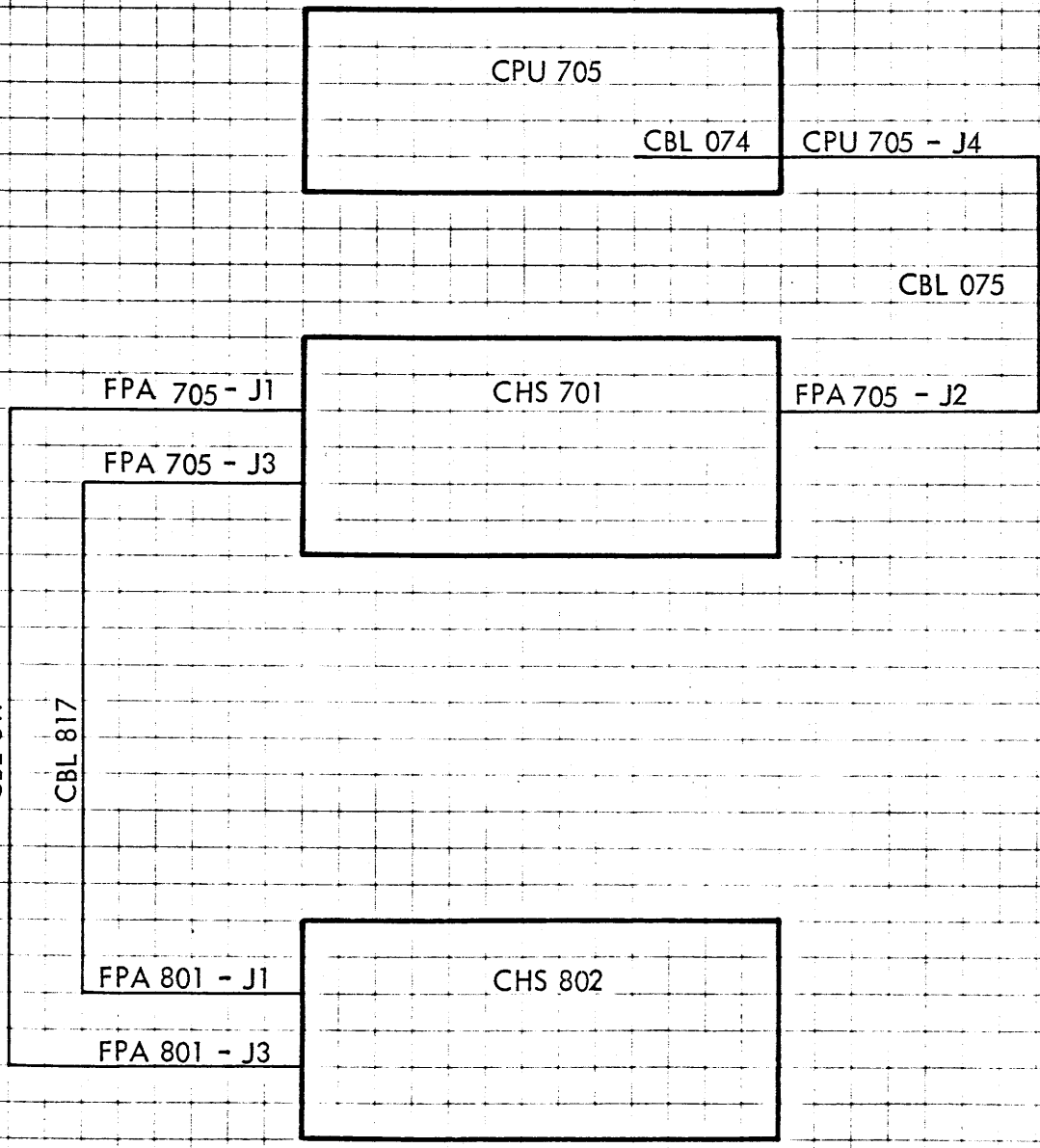
Unit	FPA 705
Dwg. No.	A25156

RC 3600 - RC 3500

INTERCONNECTION DIAGRAM

Replaced by Dwg. No. due to ECN Replaces Dwg. No. Design Check Dwg. Office Check Drawn by 760325 AMS

Designed by 760205 KNEH



Unit	FPA 705
Dwg. No.	A25157

RC 3600 - RC 8000

INTERCONNECTION DIAGRAM

