
Title:

Drawings for PDP 704/706

 **REGNECENTRALEN**

RC SYSTEM LIBRARY: FALKONERALLE 1 DK-2000 COPENHAGEN F

RCSL No: 44-RT 1365
Edition: December 1976
Author: Jens Michaelsen

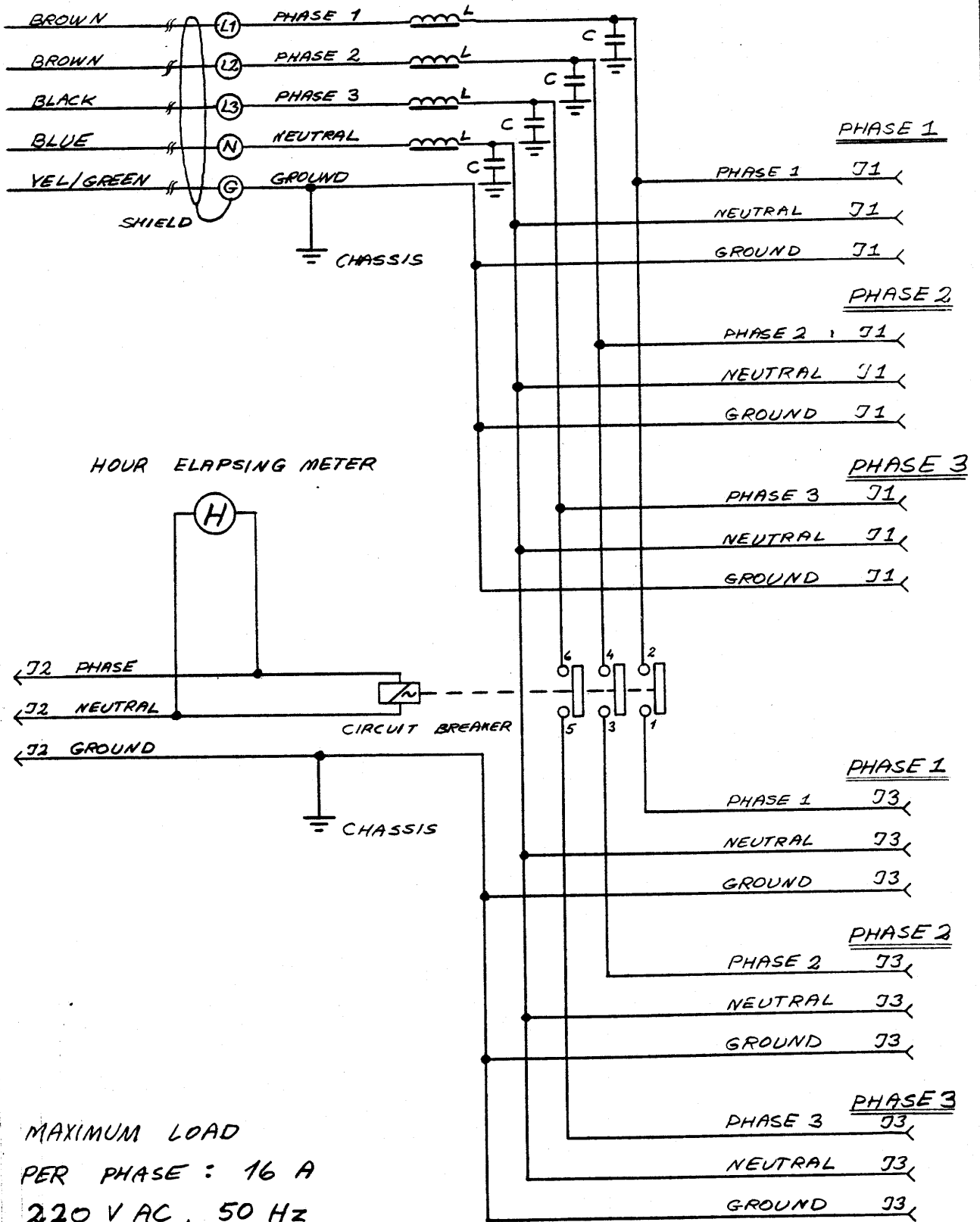
Keywords: Power Distribution Panel, RC 3600 CPU, PDP,
Power Control Sequenzer.

Abstract: This paper contains the drawing for PDP 704, 3 phase power panel
with remote controlled circuit breaker, hour meter and noise
suppressors.

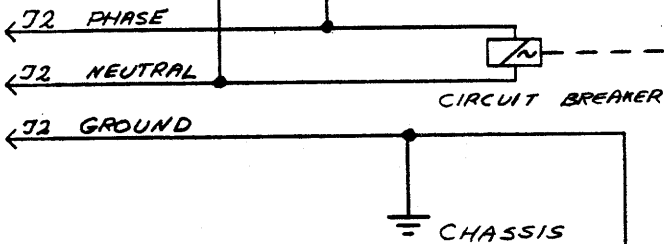
POWER CABLE

NOISE SUPPRESSORS

$L = 1.5 \text{ mH}$
 $C = 0.47 \mu\text{F}$ in parallel 1 MS



HOUR ELAPSING METER



MAXIMUM LOAD
 PER PHASE : 16 A
 220 V AC , 50 Hz

Replaced by Dwg. No. **R 10613**
 due to ECN
 Replaces Dwg. No. **R 10613**
 Design Check
 Dwg. Office Check
 Drawn by
 Designed by **76.12.13.96/M**
AIS REGNENCENTRALEN
 AC doc. V8 no

Unit PDP 704 - 706	POWER DISTRIBUTION PANEL	PDP 1
Dwg. No. R 11695	LOGIC DIAGRAM	

