

RC LOG LIST

UNIT MODEL NO

This LOG LIST contains information on modifications of the basic unit, due to Options, Engineering Change Notes, and Field Change Orders.

Do not forget to list all future modifications on this page.

OPTION ECN or FCO No.	DATE of Installation	SIGN	SHORT DESCRIPTION



TECHNICAL MANUAL

RC 4005 LOGIC DIAGRAMS

CPU402, CPU404, CPU408

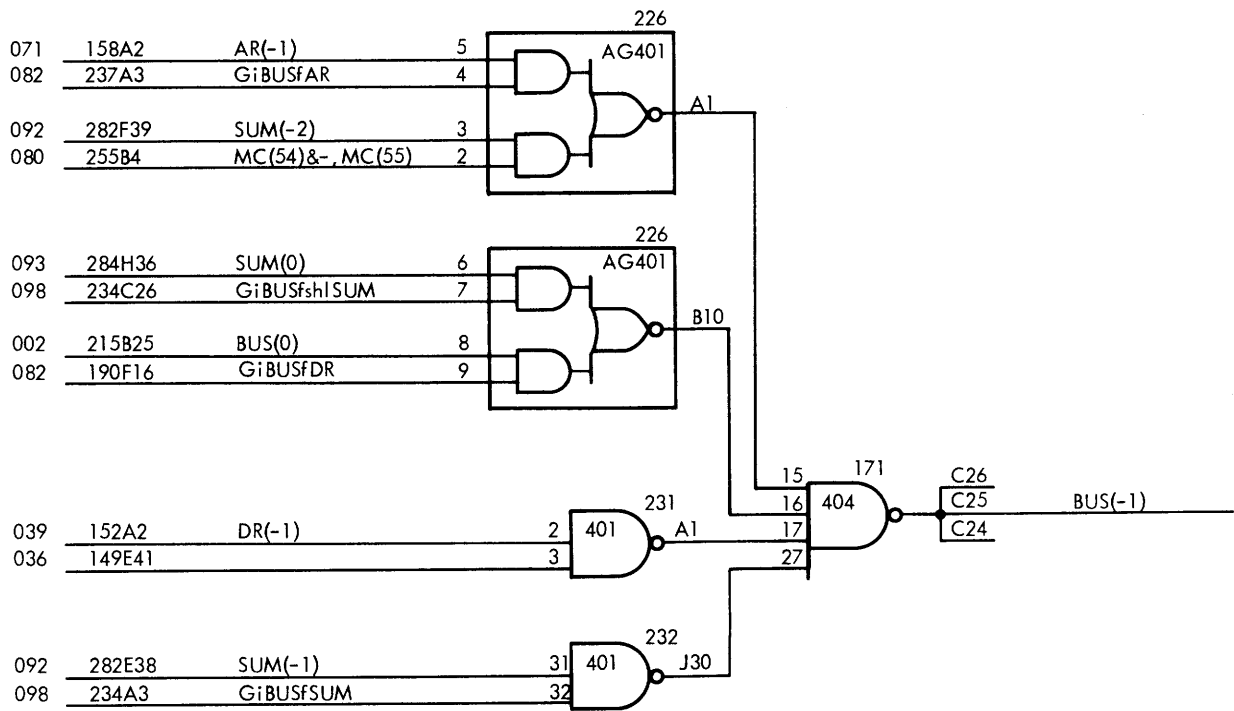
(ARU)

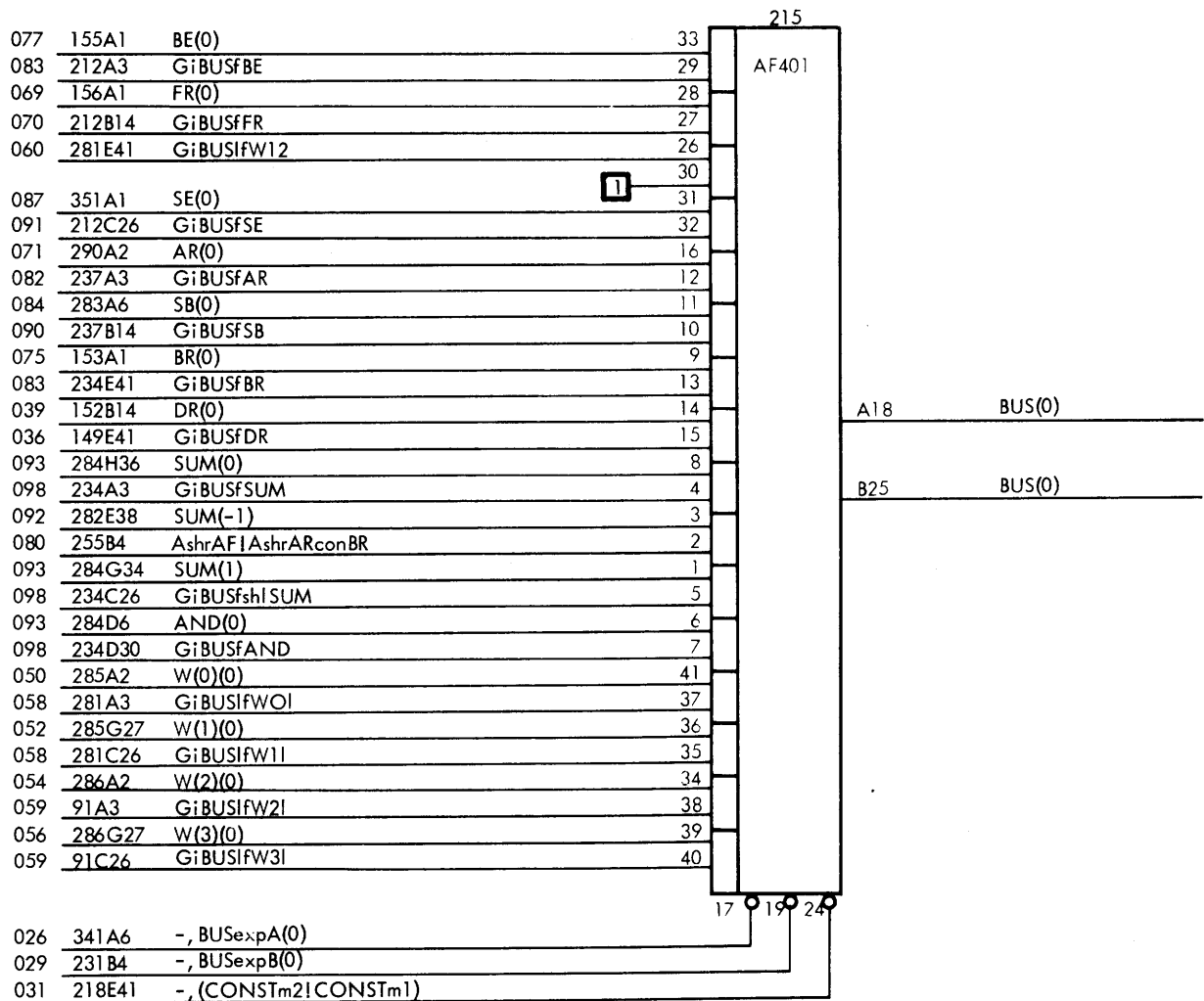
<u>Arithmetic Unit (ARU)</u>		<u>Dwg. No.</u>
ARU001	BUS(-1)	V10513
002	BUS(0)	V10514
003	BUS(1)	V10515
004	BUS(2)	V10516
005	BUS(3)	V10517
006	BUS(4)	V10518
007	BUS(5)	V10519
008	BUS(6)	V10520
009	BUS(7)	V10521
010	BUS(8)	V10522
011	BUS(9)	V10523
012	BUS(10)	V10524
013	BUS(11)	V10525
014	BUS(12)	V10526
015	BUS(13)	V10527
016	BUS(14)	V10528
017	BUS(15)	V10529
018	BUS(16)	V10530
019	BUS(17)	V10531
020	BUS(18)	V10532
021	BUS(19)	V10533
022	BUS(20)	V10534
023	BUS(21)	V10535
024	BUS(22)	V10536
025	BUS(23)	V10537
026	BUS EXPANDERS	V10589
027	BUS EXPANDERS	V10590
028	CONTROL OF IR, IM, IO, and ITRno INPUT TO BUS	V10538

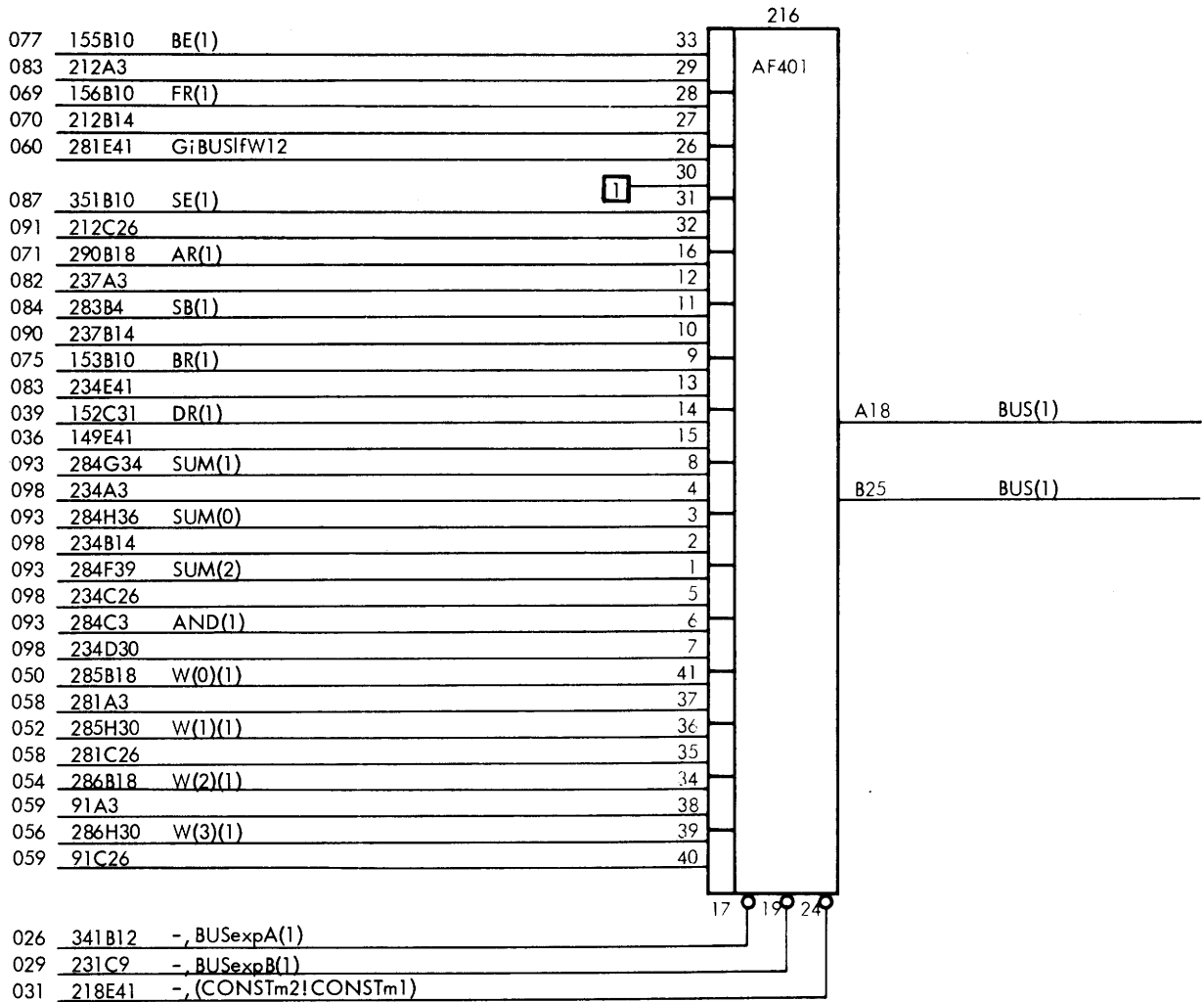
<u>Arithmetic Unit (ARU)</u>	<u>Dwg. No.</u>	
ARU029	BUS EXPANDERS	V10539
030	BUS EXPANDERS	V10540
031	BUS EXPANDERS CONSTANTS	V10541
032	MANUAL CONTROL OF REGISTERS	V10377
033	MANUAL CONTROL OF REGISTERS	V10378
034	MANUAL CONTROL OF REGISTERS	V10379
035	MANUAL CONTROL OF REGISTERS	V10380
036	MANUAL CONTROL OF REGISTERS	V10381
037	MANUAL CONTROL OF REGISTERS	V10382
038	MANUAL CONTROL OF REGISTERS	V10383
039	REGISTERS DR(-1:3)	V10384
040	REGISTER DR(4:8)	V10385
041	REGISTER DR(9:13)	V10386
042	REGISTER DR(14:18)	V10387
043	REGISTER DR(19:23)	V10388
044	REGISTER DP(0:2)	V10389
045	INDICATOR INTERFACE FOR DISPLAY OF SELECTED REGISTER	V10390
046	INDICATOR INTERFACE FOR DISPLAY OF DR REGISTER	V10391
047	INDICATOR INTERFACE FOR DISPLAY OF DR REGISTER	V10392
048	Cable Connections to 0 Volt, +5 Volts, and Chassis	V10661
049	IC and SB address decoding 16 K CORE STORE MODULE	V10745
050	REGISTER W(0)(0:11)	V10393
051	REGISTER W(0)(12:23)	V10394
052	REGISTER W(1)(0:11)	V10395
053	REGISTER W(1)(12:23)	V10396
054	REGISTER W(2)(0:11)	V10397
055	REGISTER W(2)(12:23)	V10398
056	REGISTER W(3)(0:11)	V10399
057	REGISTER W(3)(12:23)	V10400

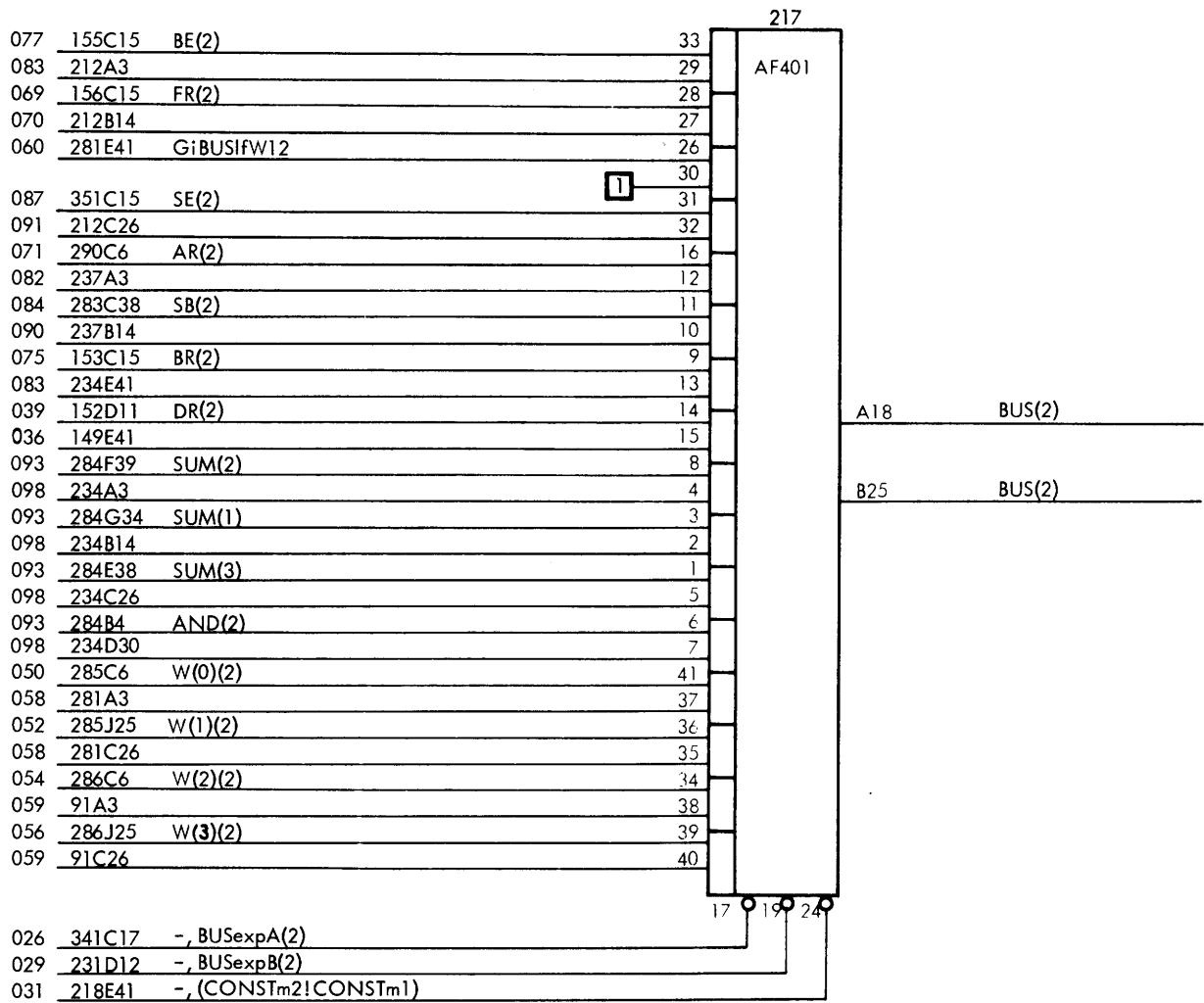
<u>Arithmetic Unit (ARU)</u>	<u>Dwg. No.</u>	
ARU058	CONTROL OF W(0) AND W(1)	V10410
059	CONTROL OF W(2) AND W(3)	V10411
060	CONTROL OF W REGISTER IC(5:7)	V10412
061	REGISTER IC(8:16)	V10413
062	REGISTER IC(17:22)	V10414
063	IC DECODING CONTROL OF IC	V10415
064	REGISTER SC(11)	V10416
065	REGISTER SC(12:17)	V10417
066	REGISTER SC(18:23)	V10418
067	DECODING FOR SC REGISTER	V10419
068	CONTROL OF REGISTER SC(11:23)	V10420
069	REGISTER FR(0:11)	V10421
070	DECODING AND CONTROL OF FR	V10422
071	REGISTER AR(-1:11)	V10465
072	REGISTER AR(12:23)	V10466
073	REGISTER AE(0:7)	V10467
074	REGISTER AE(8:13)	V10468
075	REGISTER BR(0:11)	V10469
076	REGISTER BR(12:23)	V10470
077	REGISTER BE(0:11)	V10471
078	DECODING OF REGISTERS AR AND AE	V10472
079	DECODING OF REGISTERS AR, AE, AND BR	V10473
080	DECODING OF MC(54:56) AND MC(47:50)	V10474
081	CONTROL OF REGISTERS AR, AE, BR, BE	V10475
082	CONTROL OF REGISTERS AR AND AE	V10476
083	CONTROL OF REGISTERS BR AND BE	V10477
084	REGISTER SB(0:7)	V10555
085	REGISTER SB(8:11)	V10556
086	REGISTER SB(12:23)	V10557
087	REGISTER SE(0:11)	V10558
088	REGISTER SE(12:13)	V10559
089	DECODING OF SB	V10542

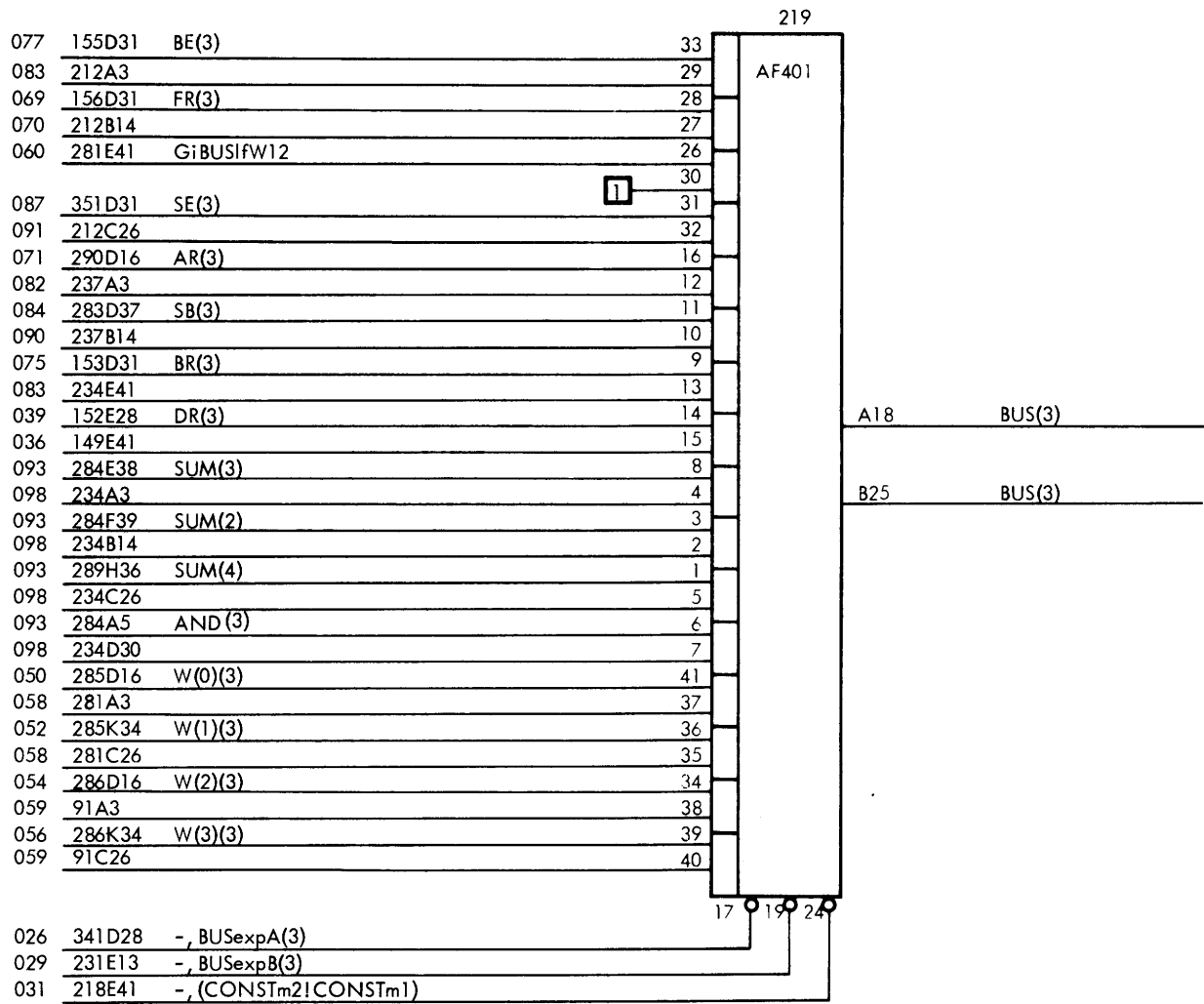
<u>Arithmetic Unit (ARU)</u>	<u>Dwg. No.</u>	
ARU090	CONTROL OF REGISTERS SB AND SE	V10560
091	CONTROL OF REGISTERS SB AND SE	V10561
092	ADDER BIT(-2,-1)	V10543
093	ADDER BITS(0:7)	V10544
094	ADDER BITS(8:15)	V10545
095	ADDER BITS(16:23)	V10546
096	ADDER BITS(24:31)	V10547
097	ADDER BITS(32:37)	V10548
098	DECODING AND CONTROL OF ADDER	V10549
099	CONTROL OF ADDER	V10562
100	CONTROL OF ADDER	V10550
101	CONTROL OF EX	V10588
102	INTERRUPT, REGISTER EX(21:23)	V10587
103	REGISTER PR(0:7)	V10551
104	REGISTER PK(0:2)	V10563
105	CONTROL OF PR AND PK	V10564
106	PROTECTION BUS	V10552
107	REGISTERS FB(0)(0:2), FB(1)(0:2)	V10553
108	REGISTERS FB(2)(0:2), FB(3)(0:2)	V10554
109	CONTROL OF FB(0:3)	V10565
110	TIMING	V10566

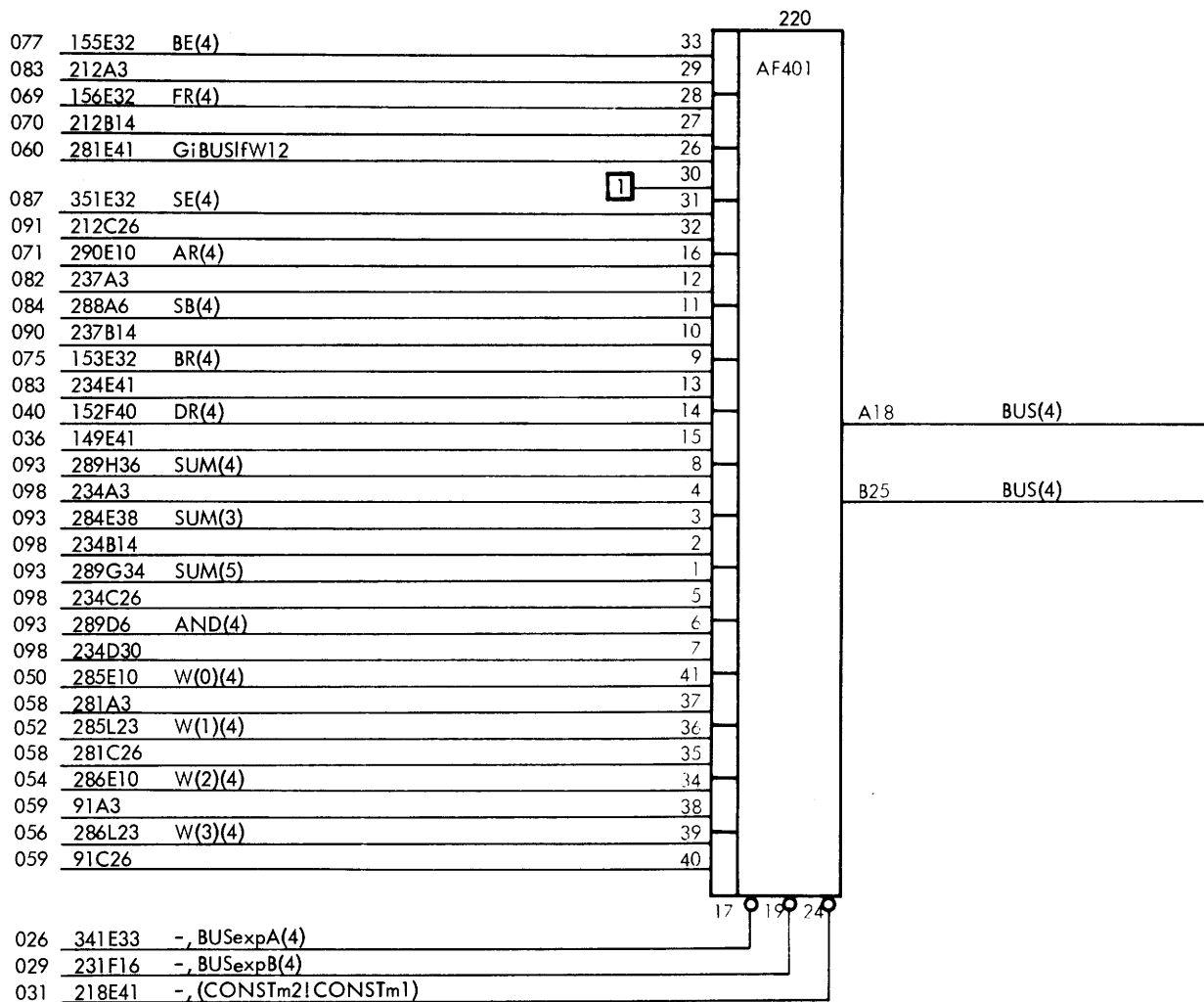


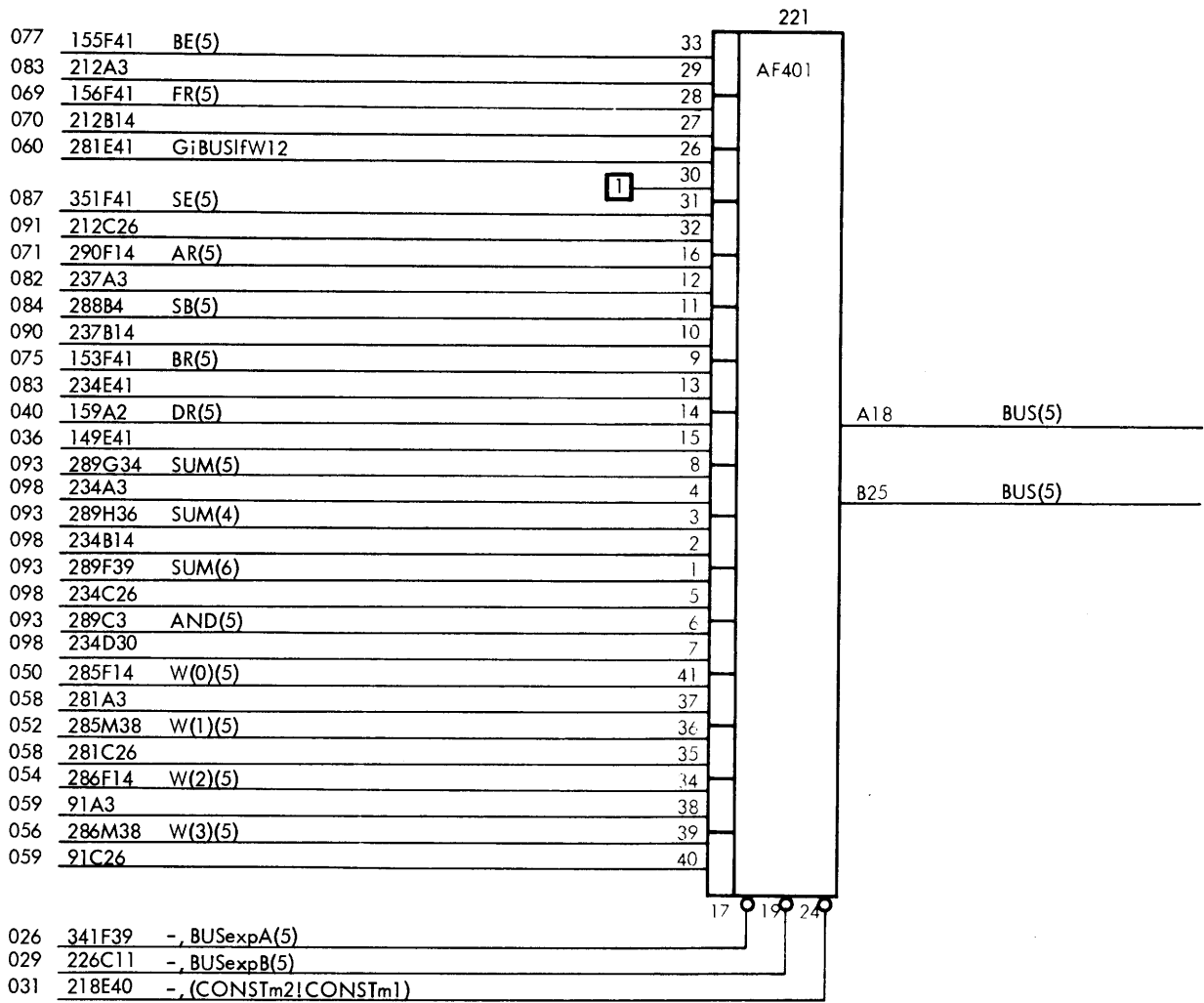


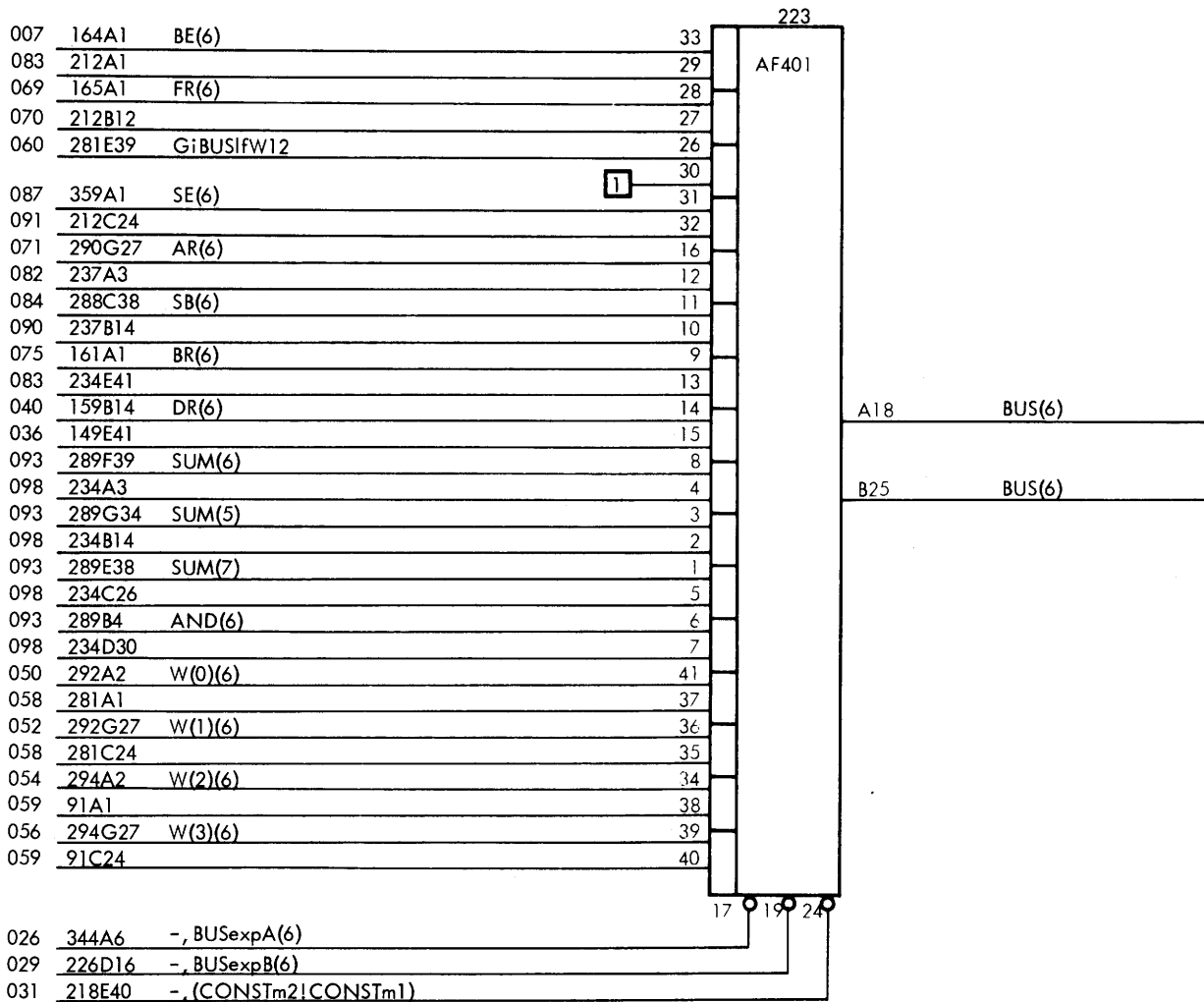


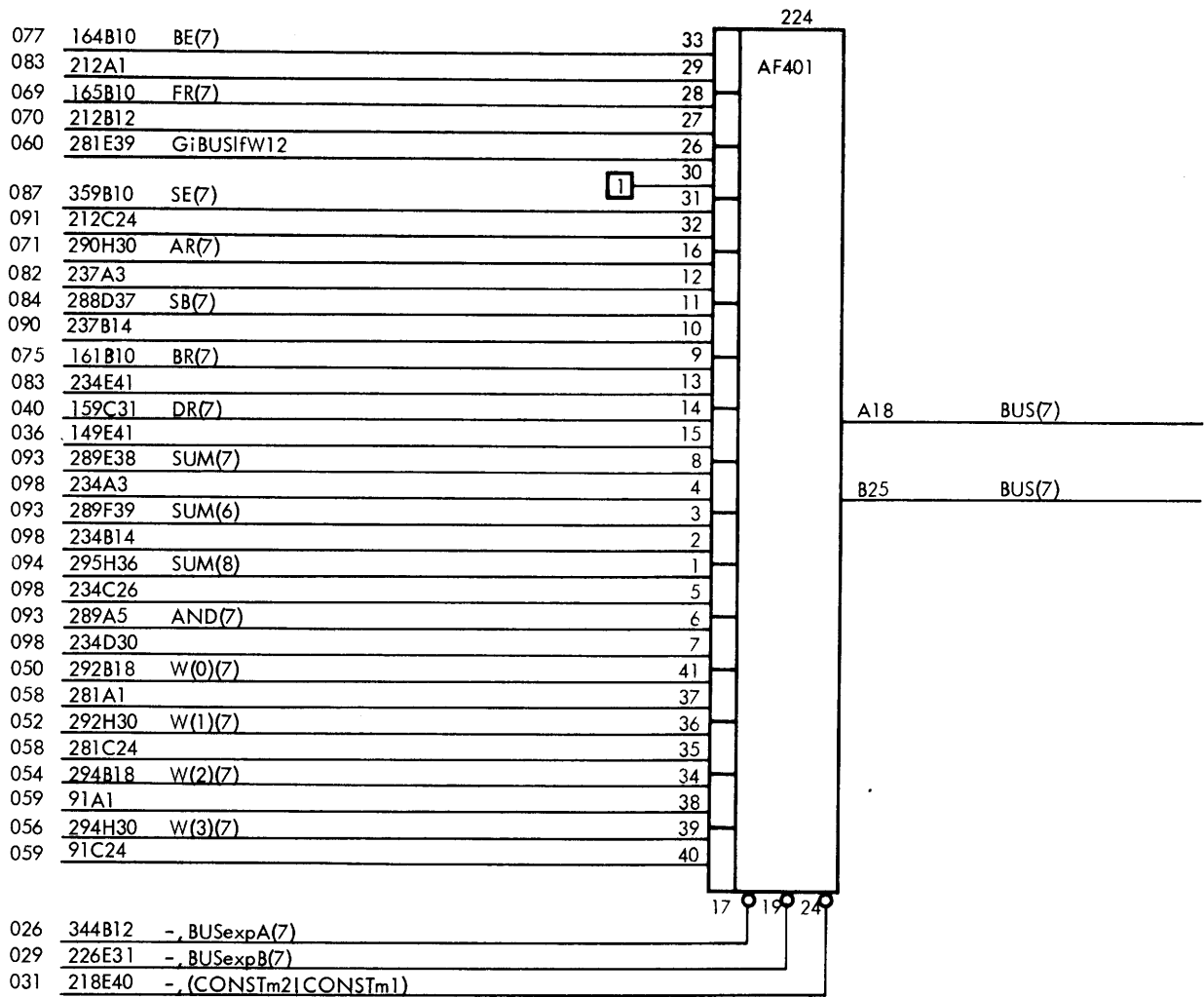


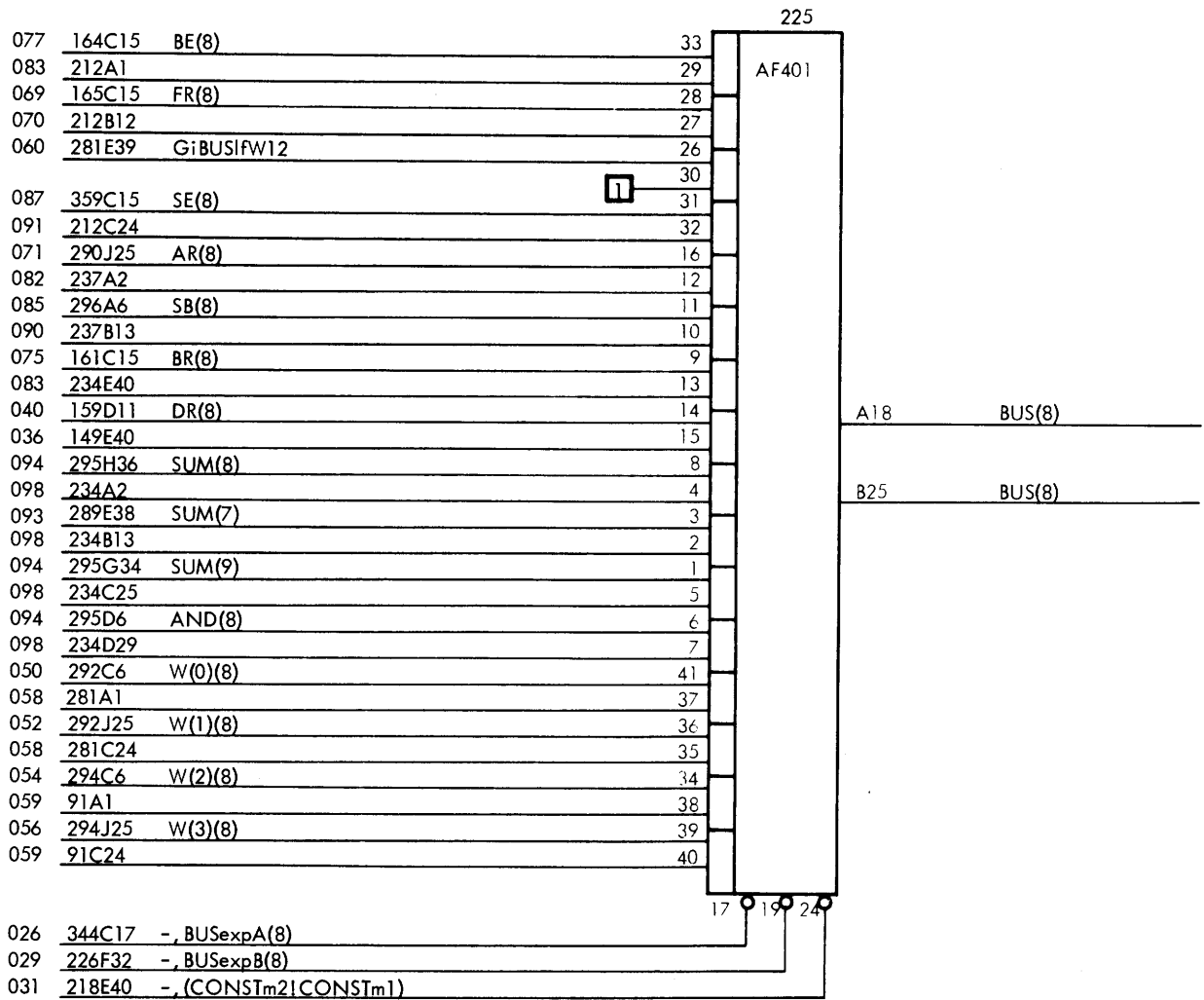


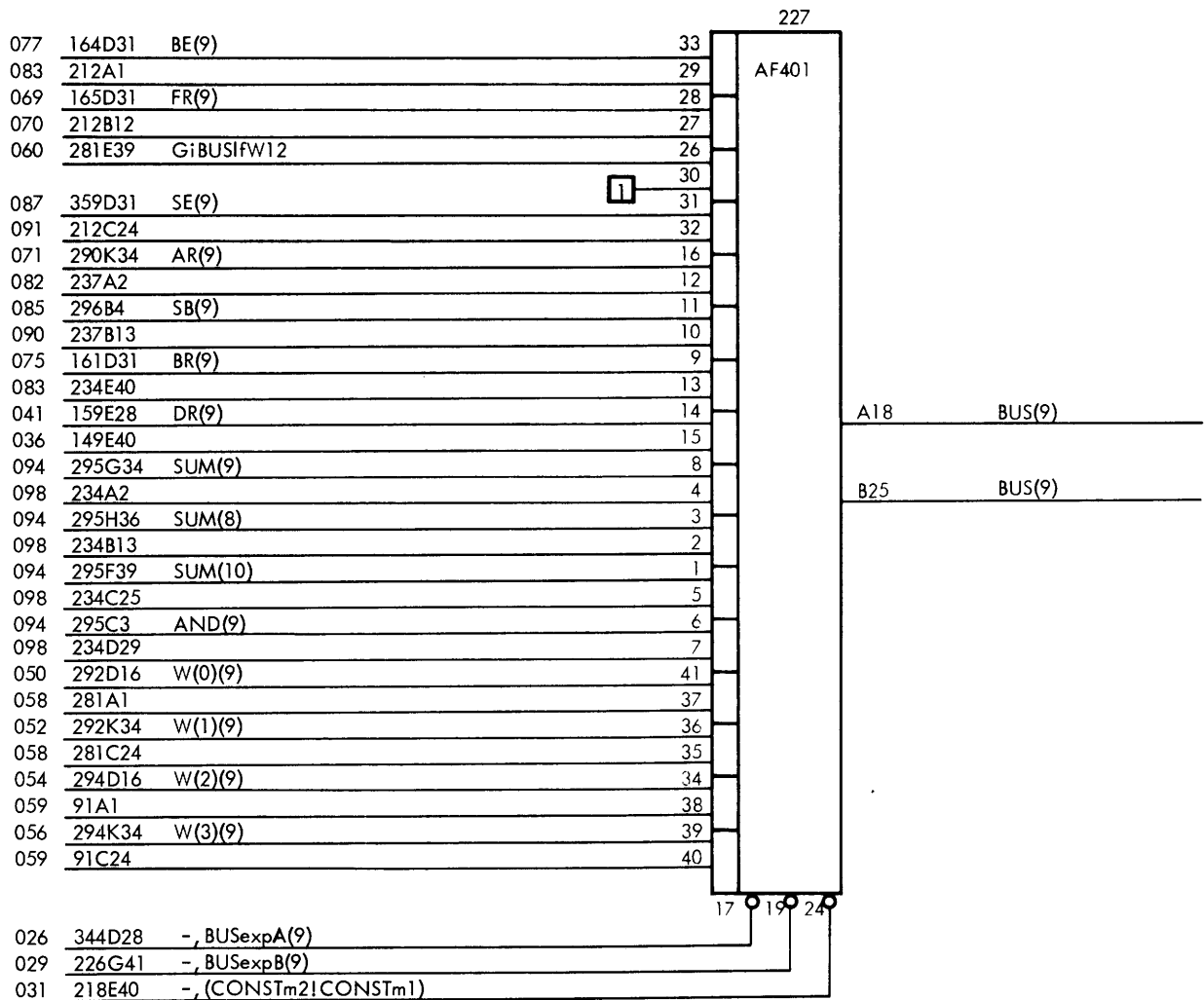


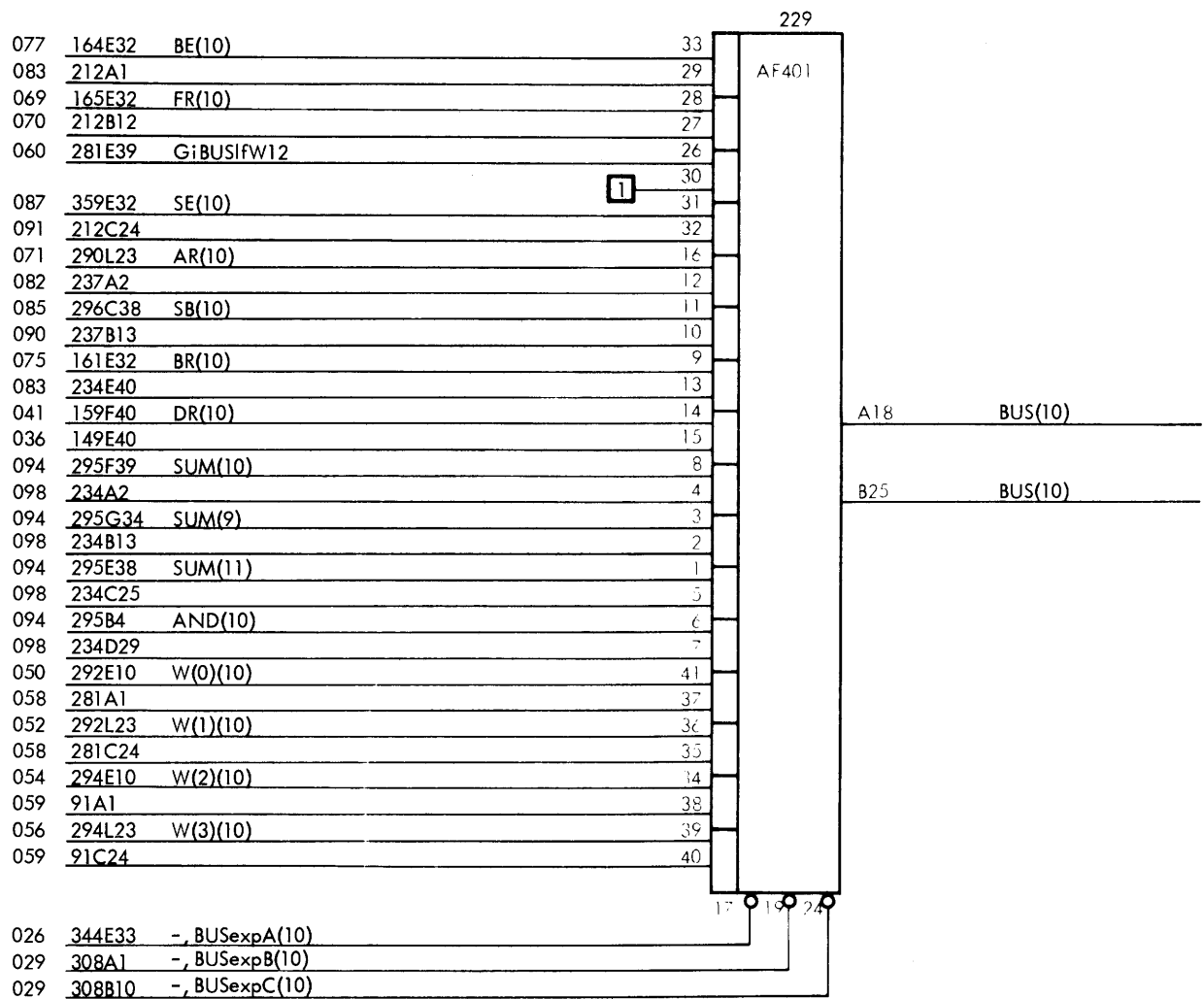


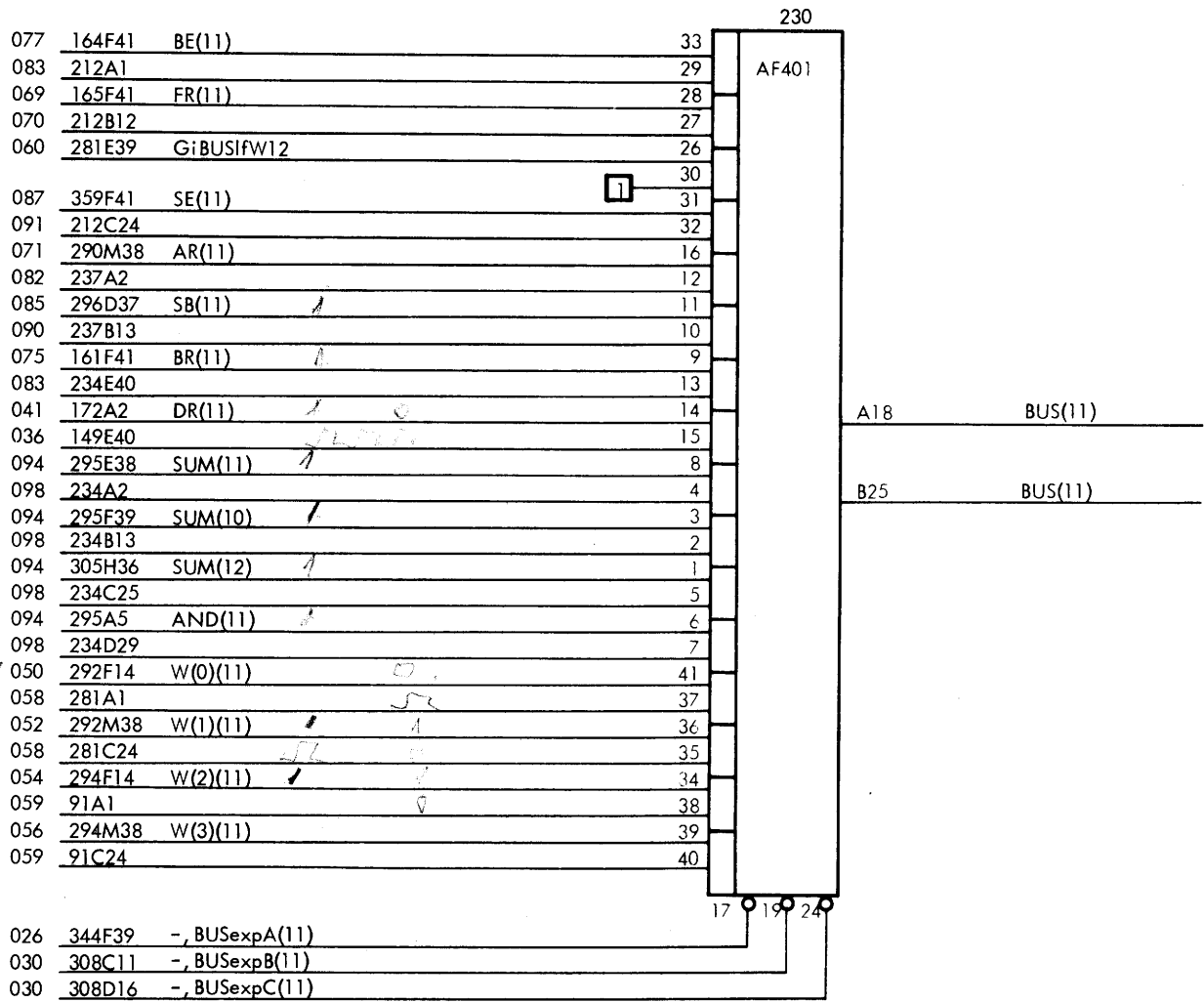


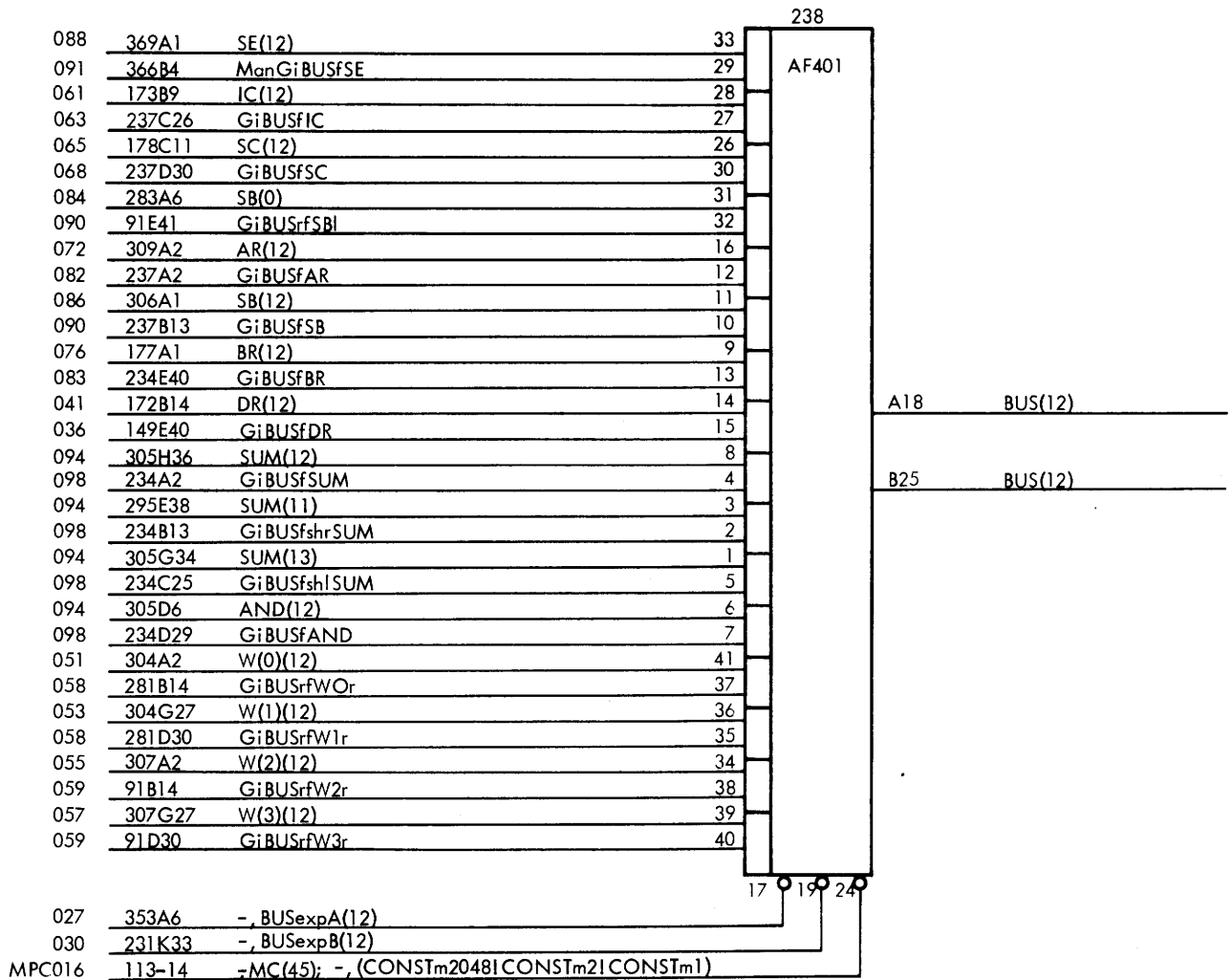


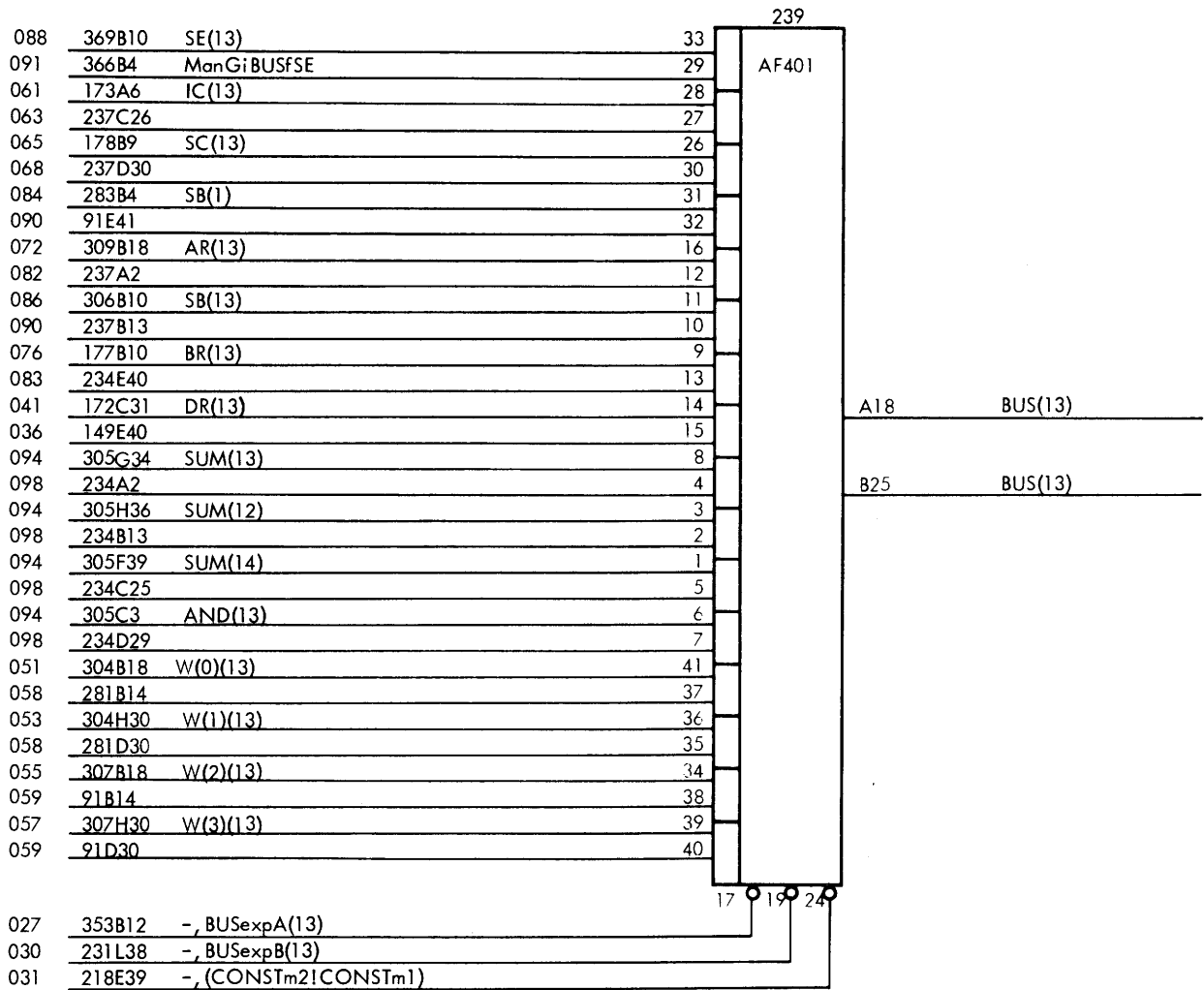


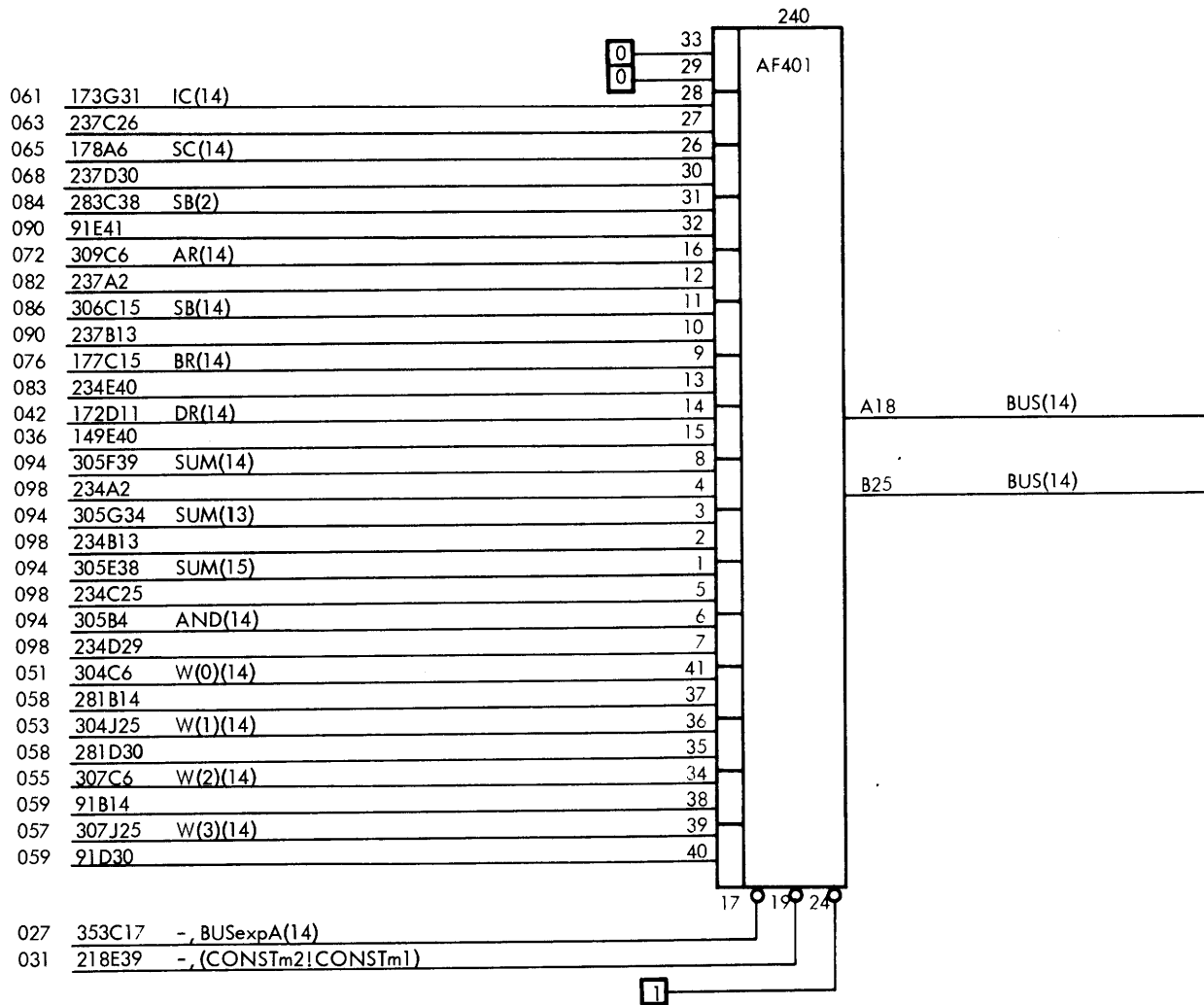


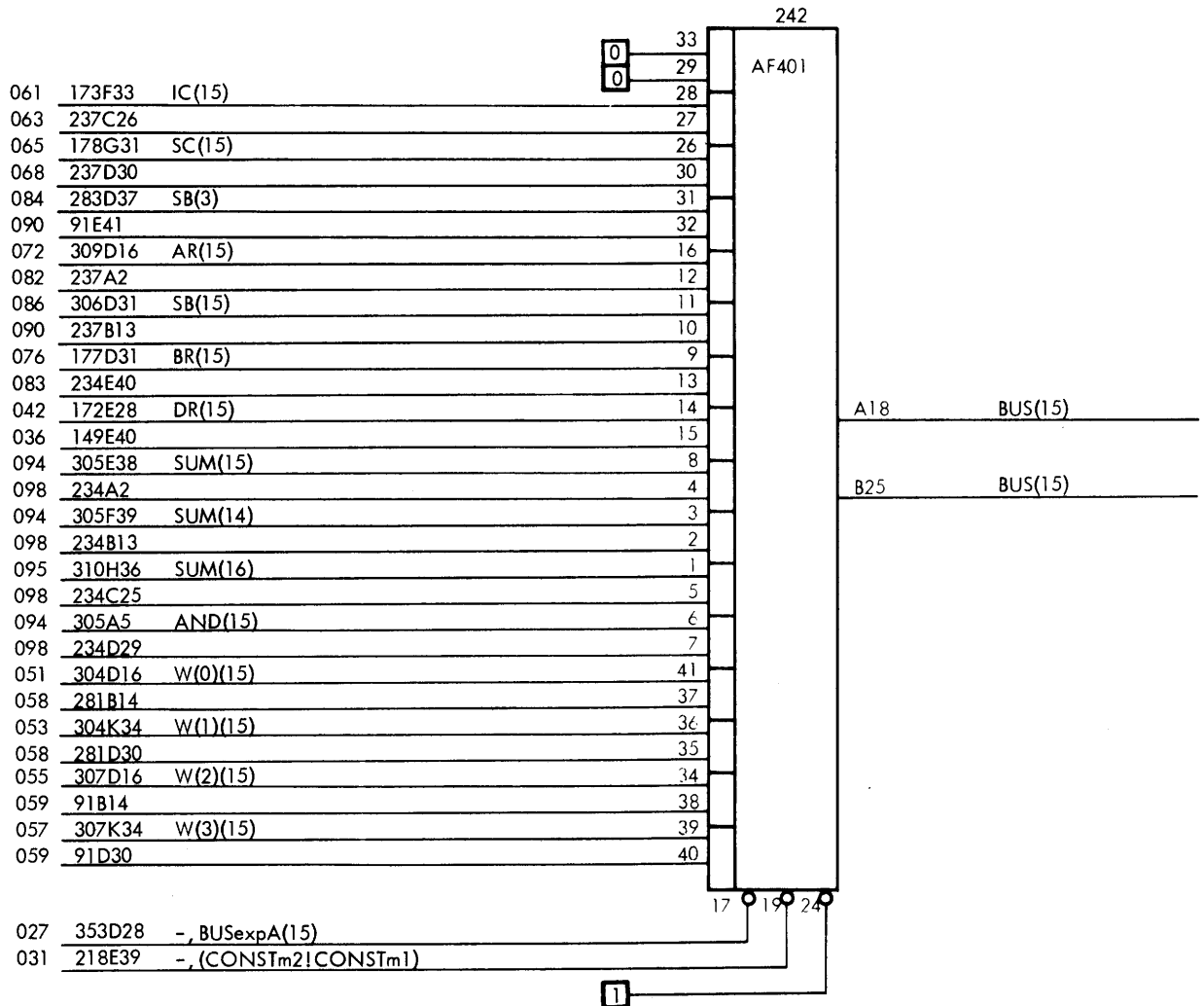


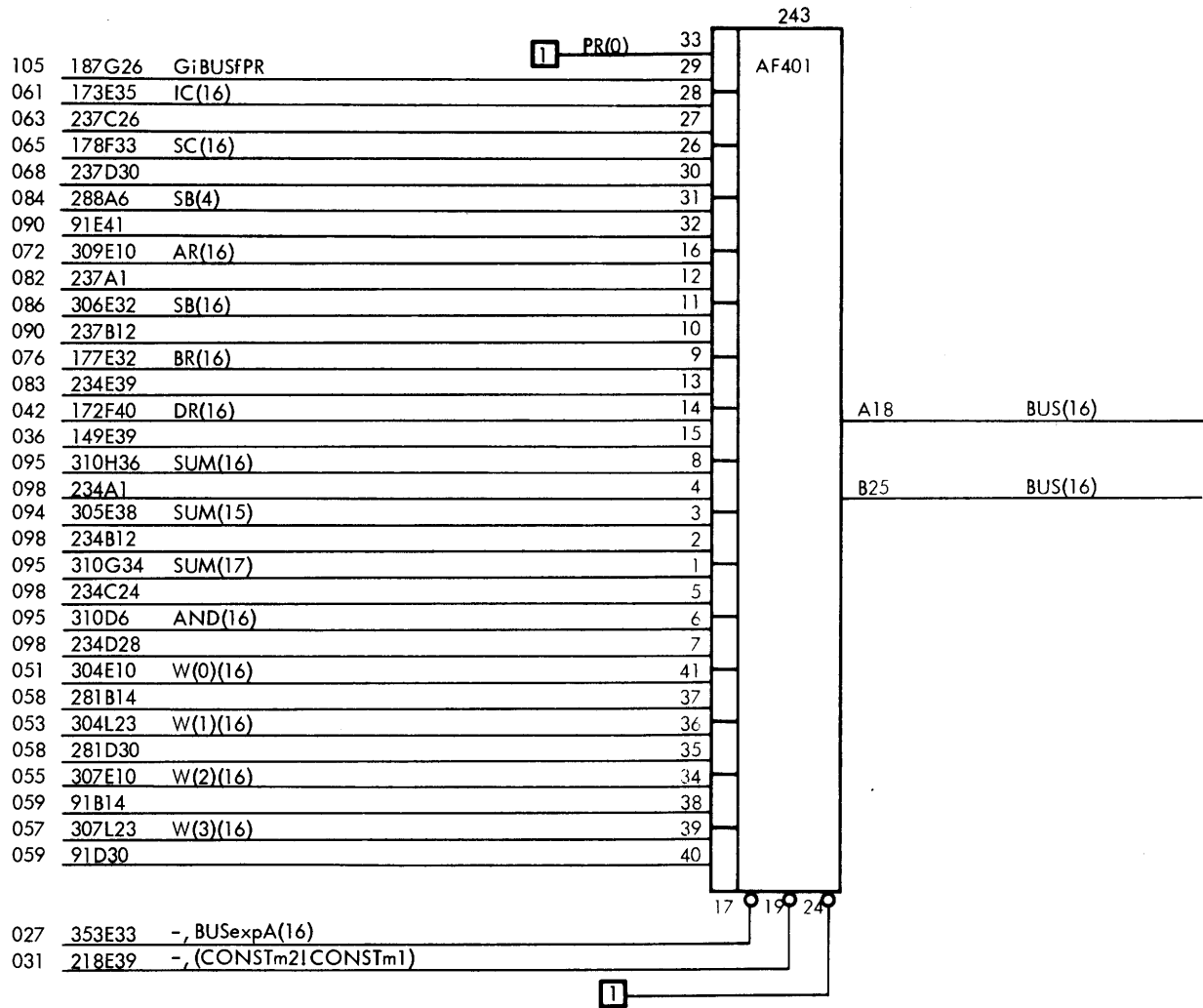


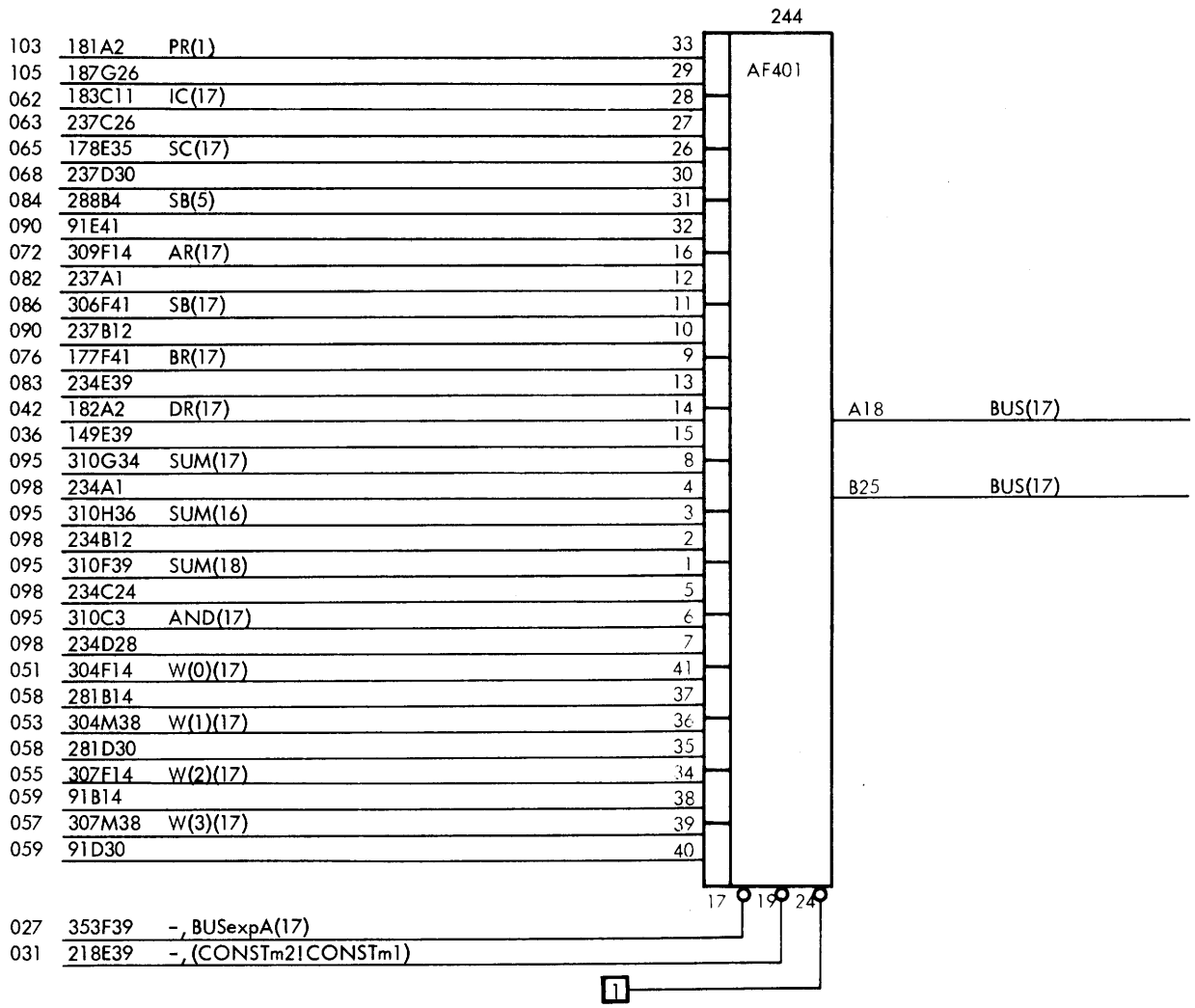


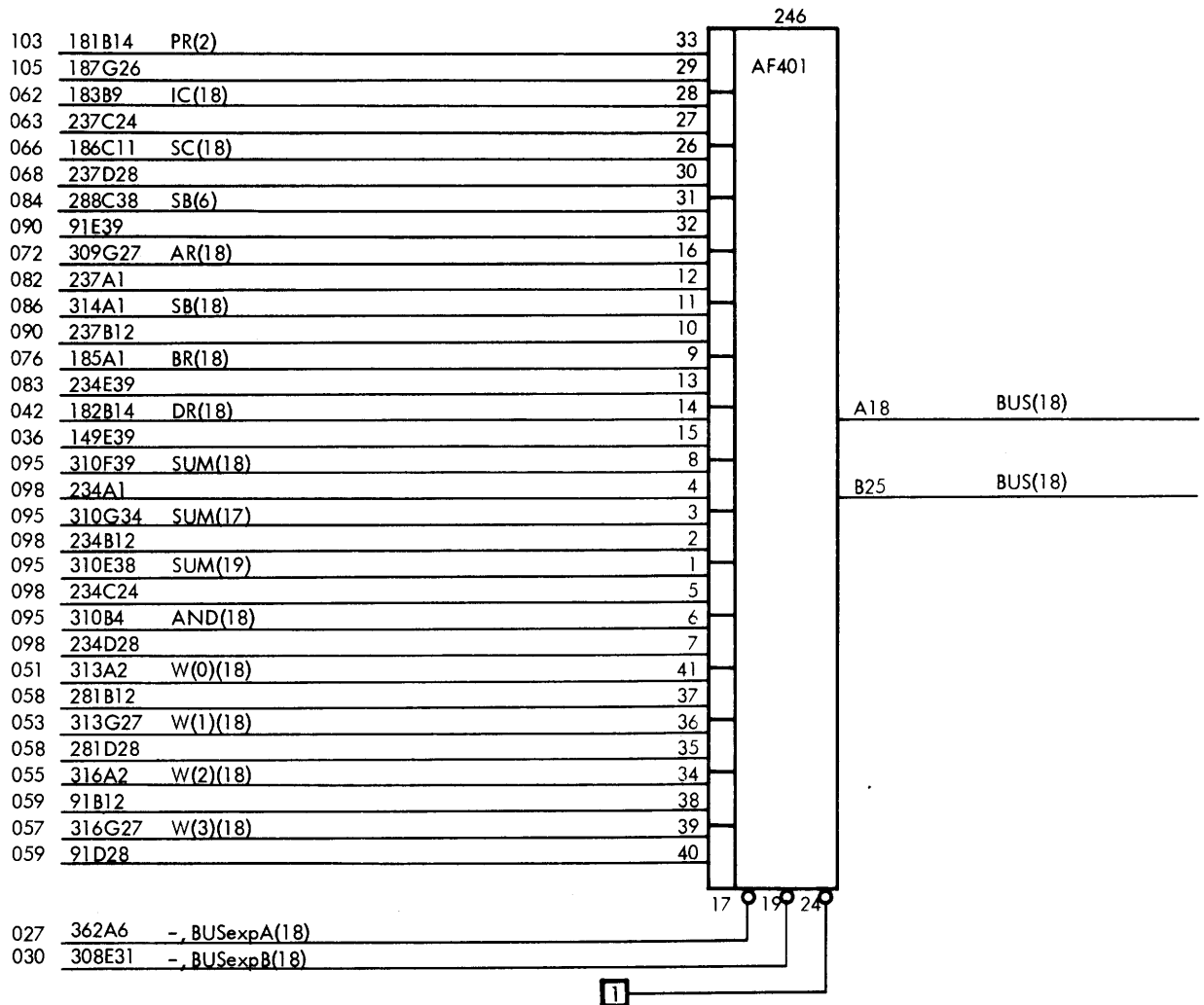


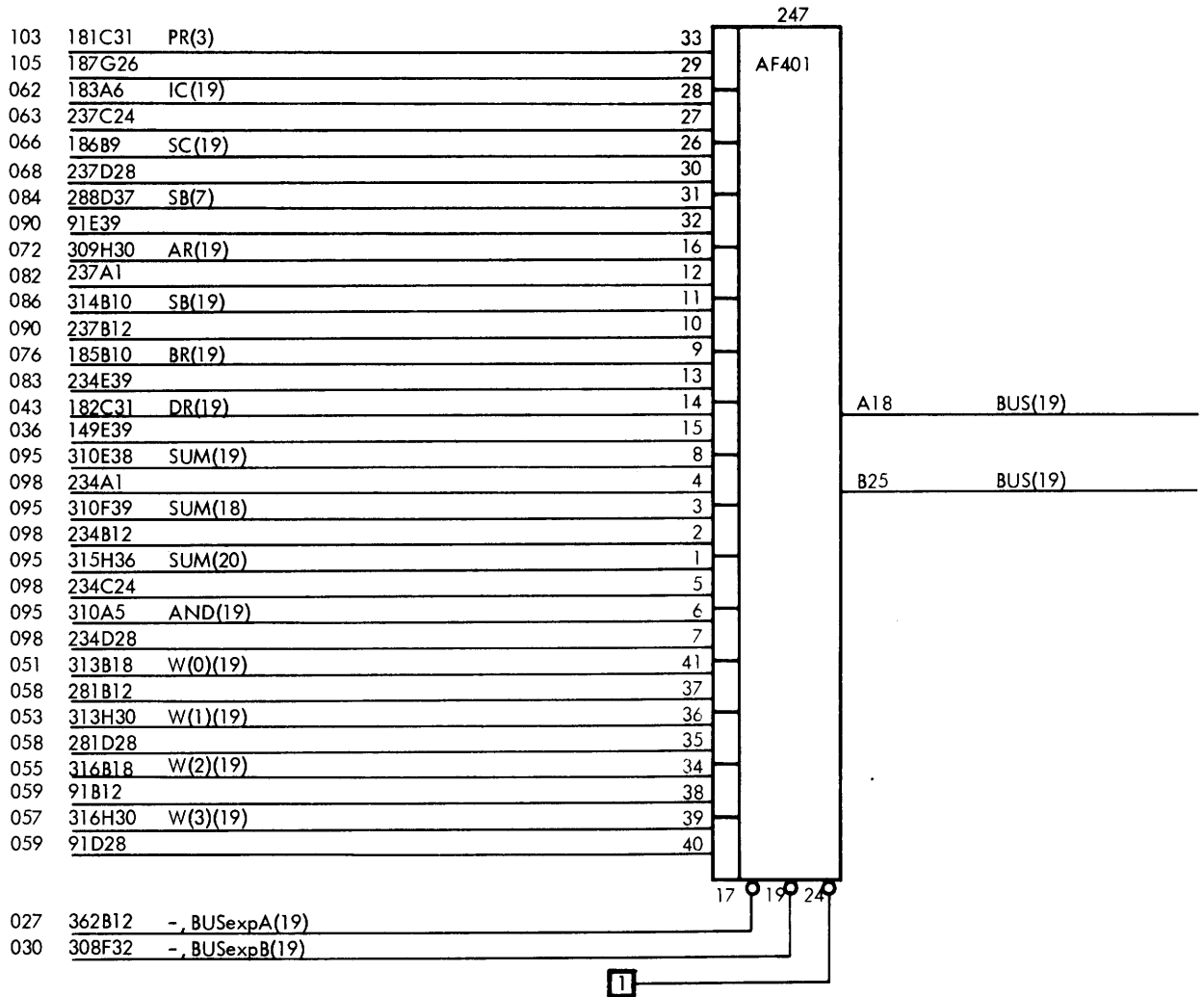


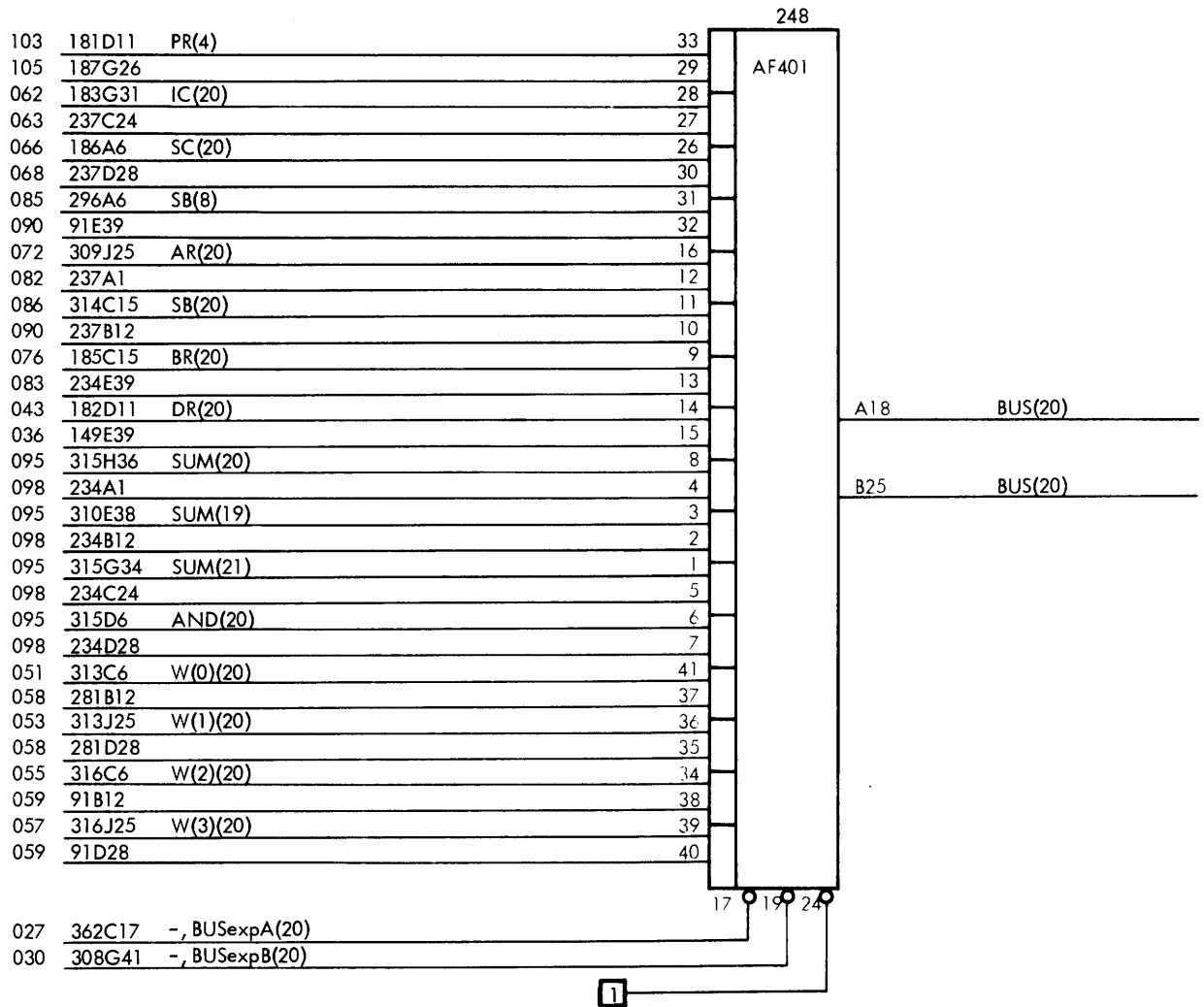


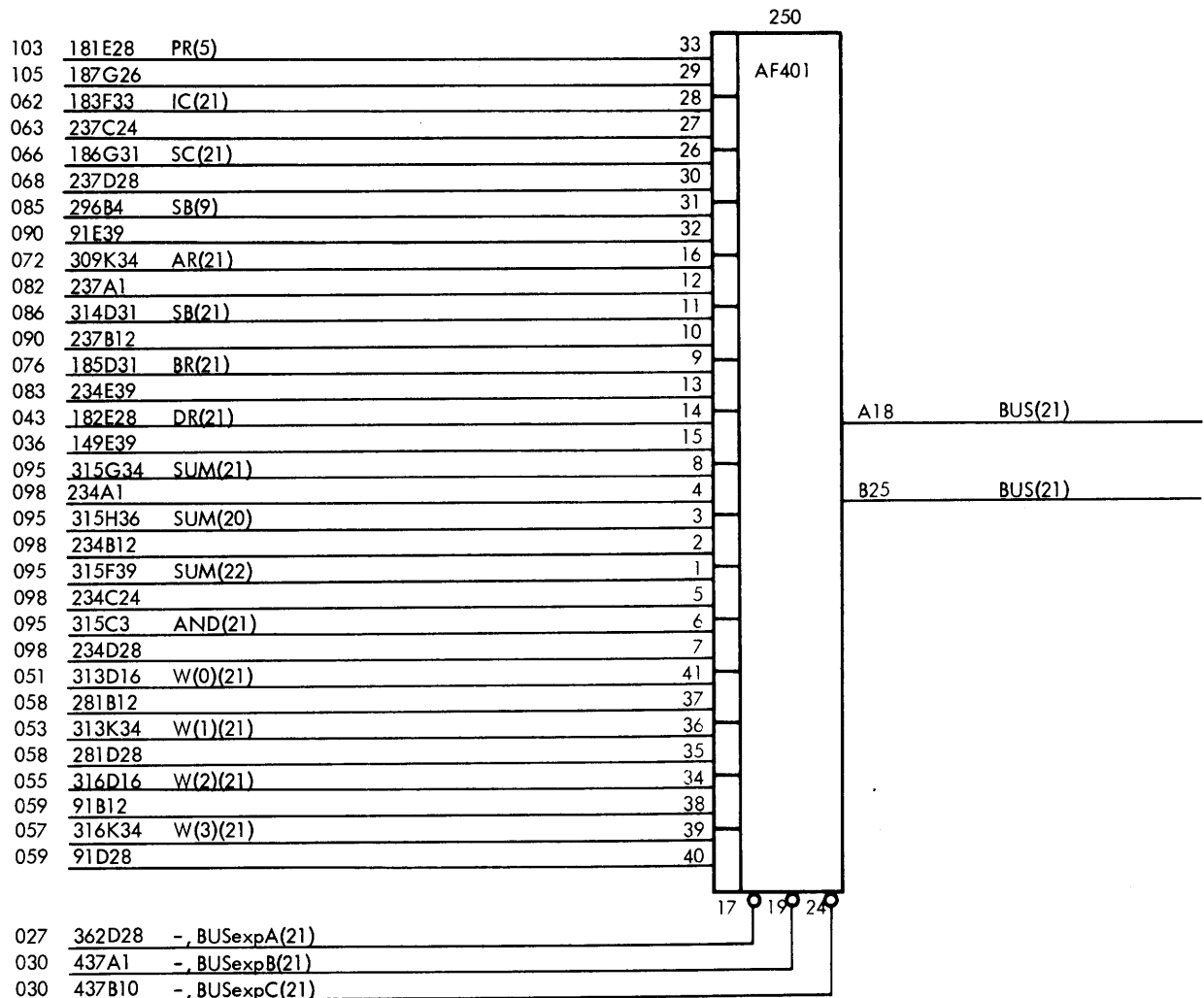


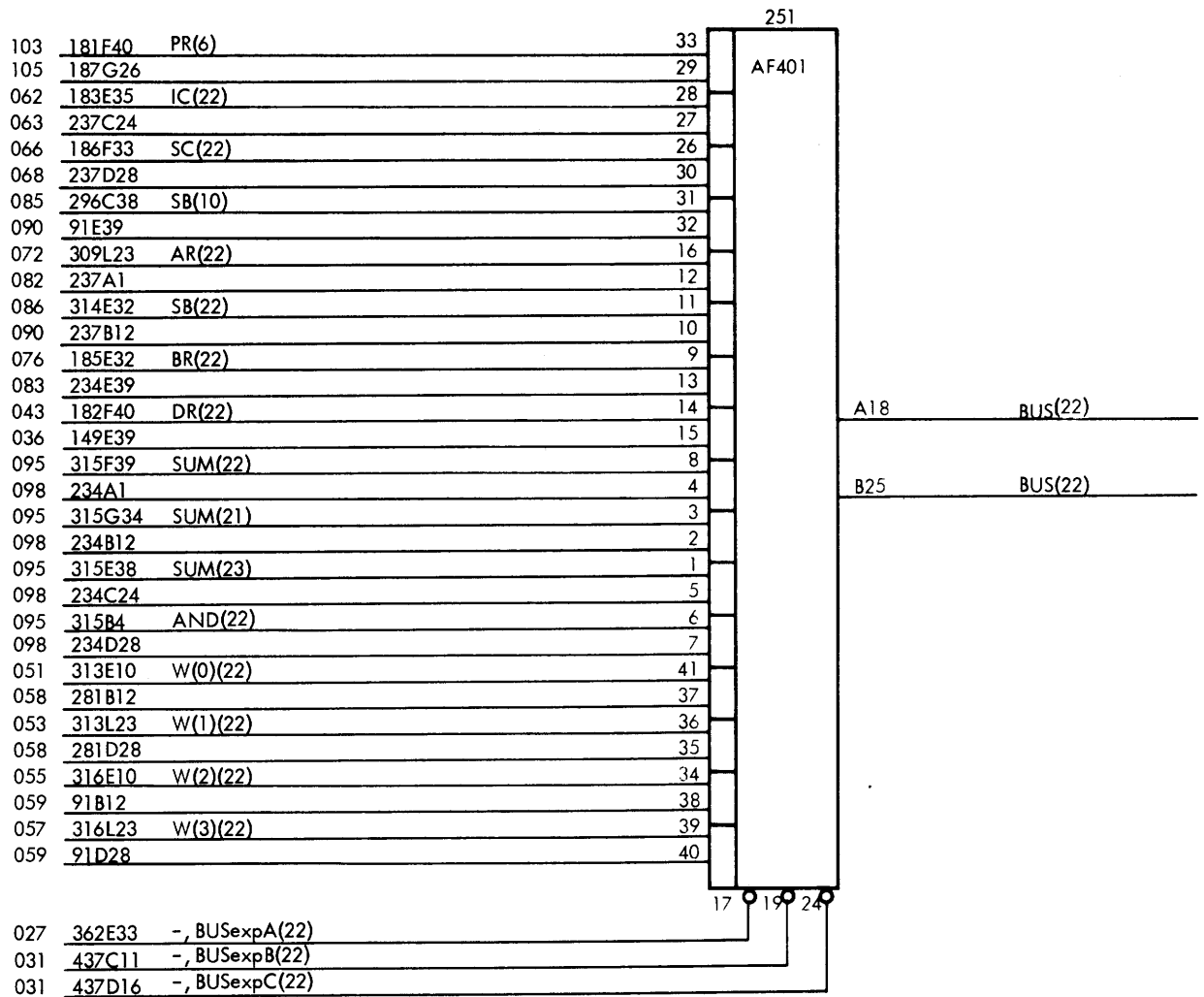


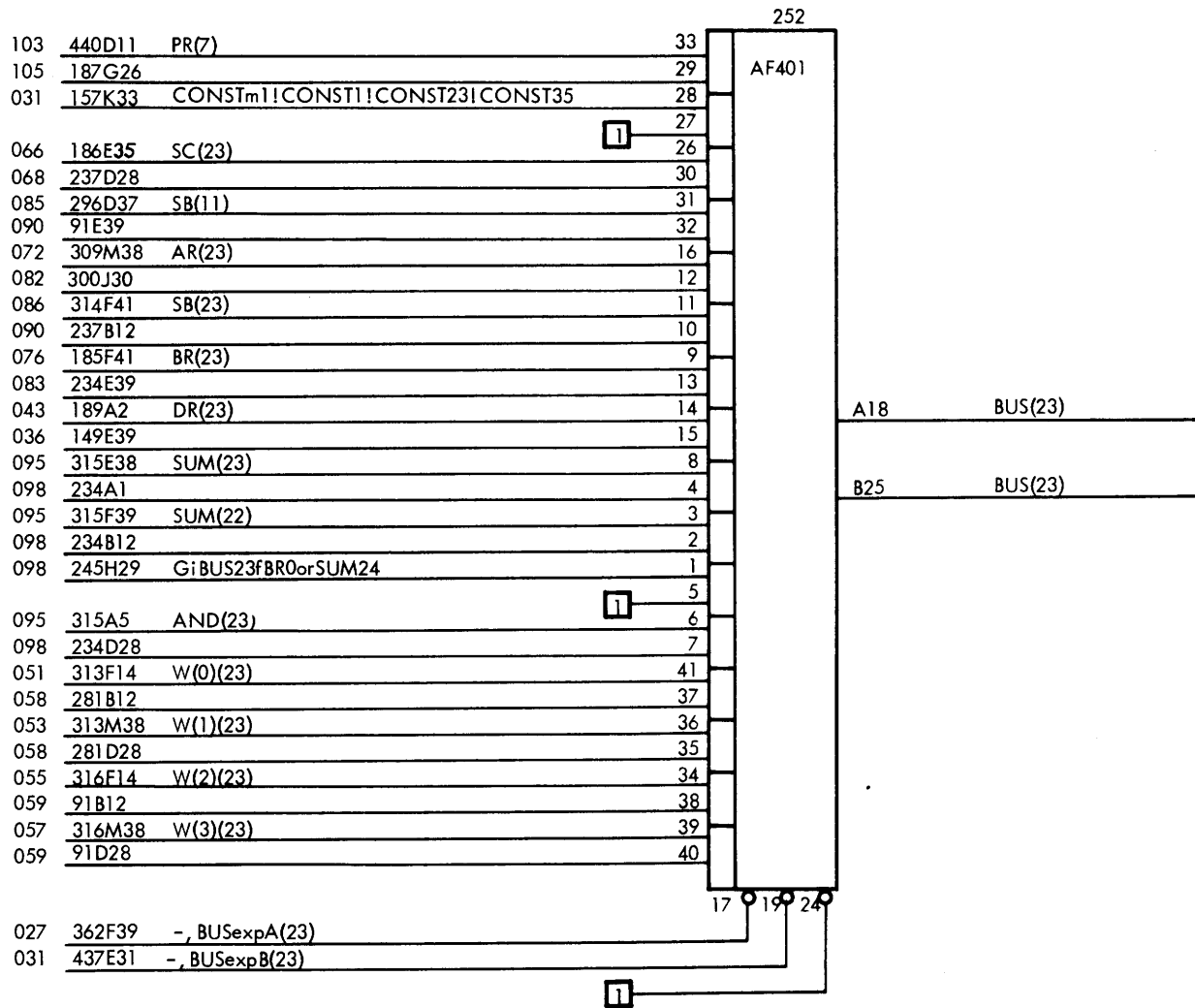


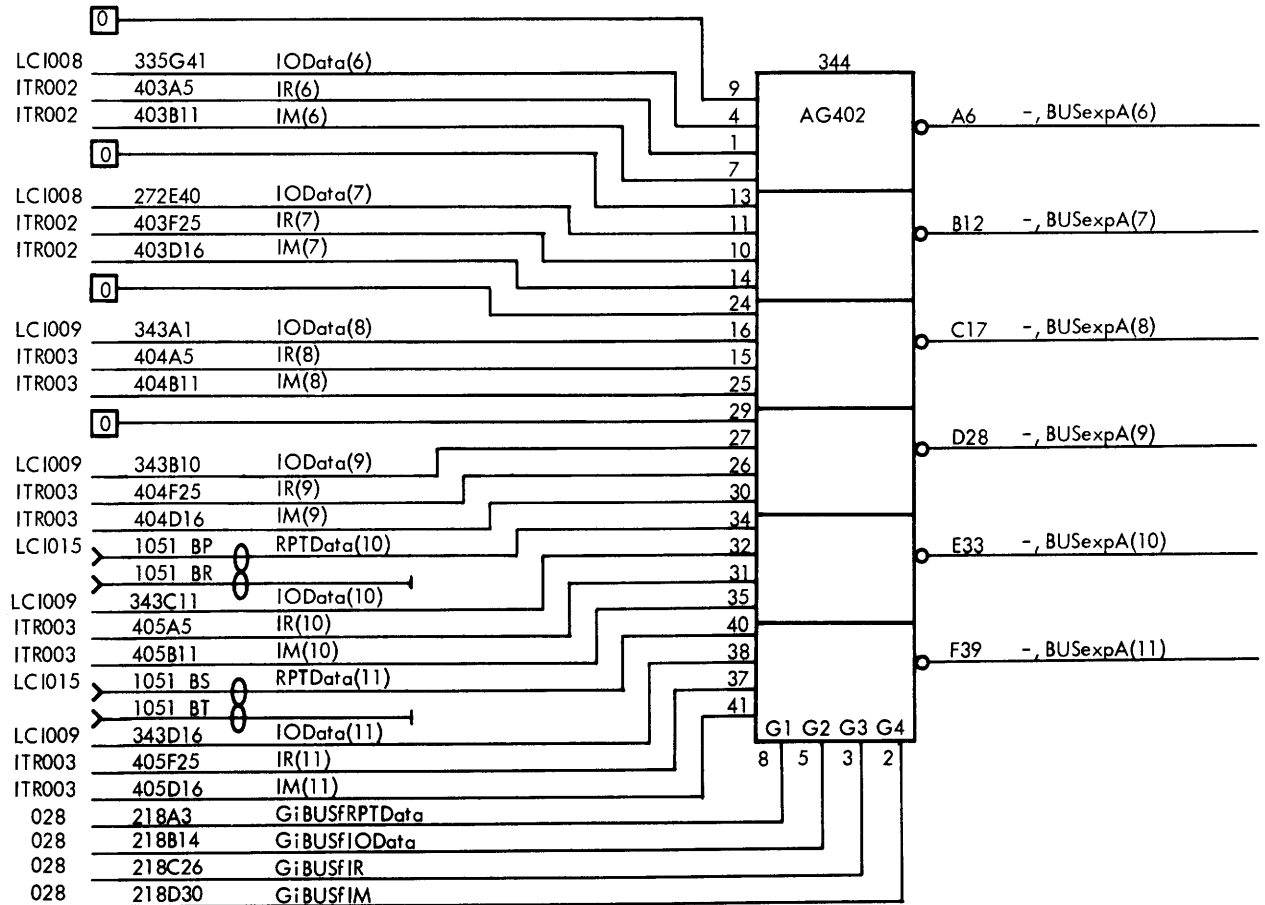
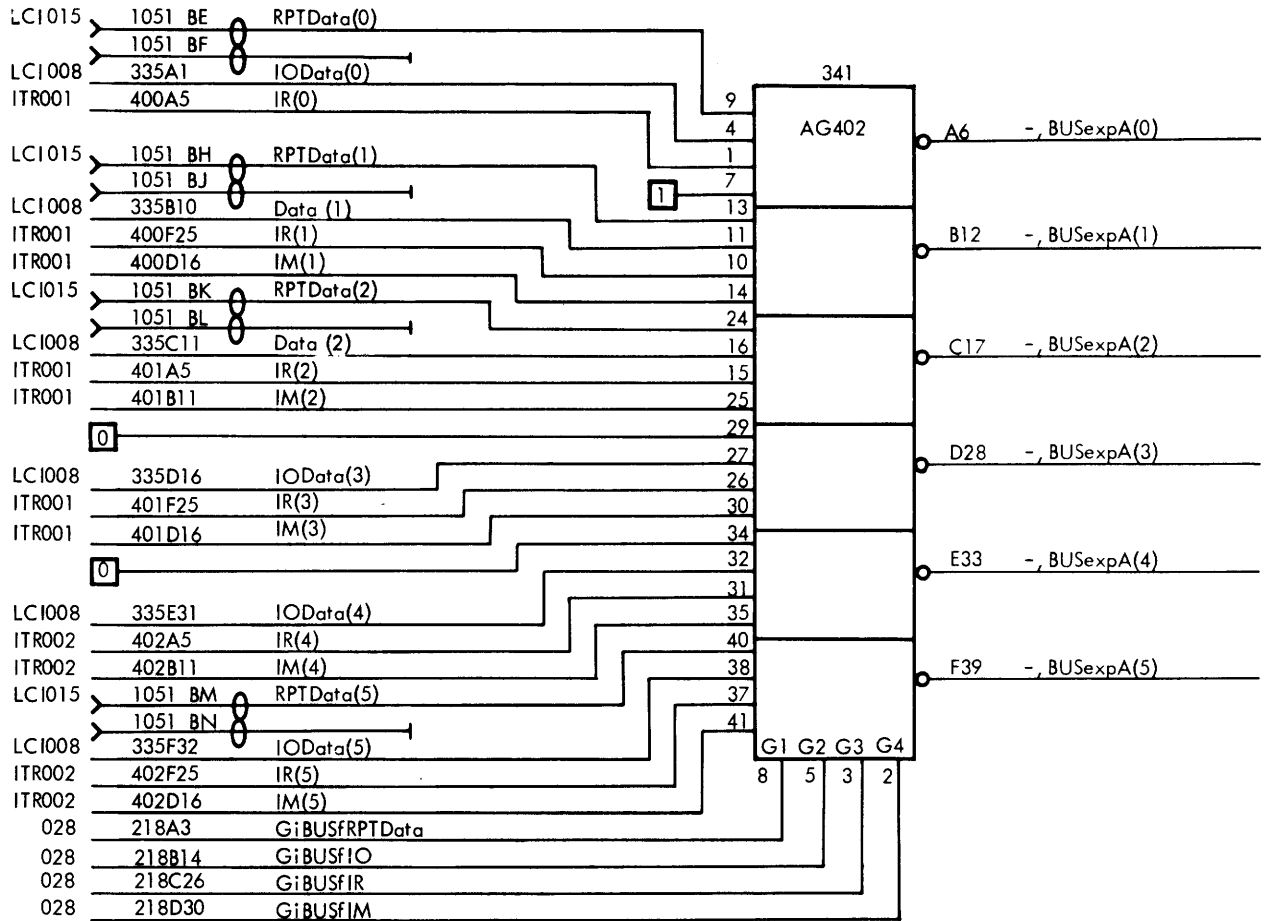


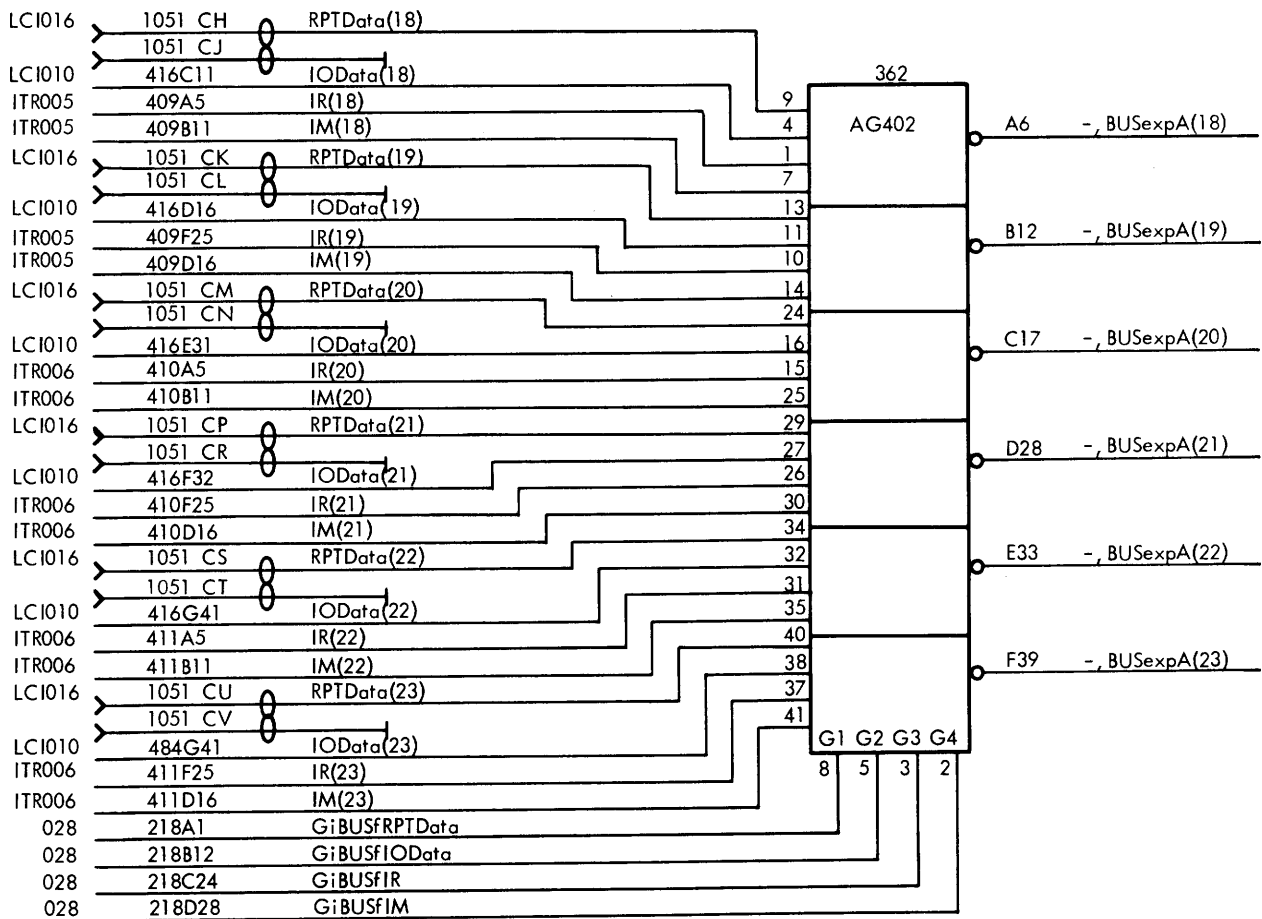
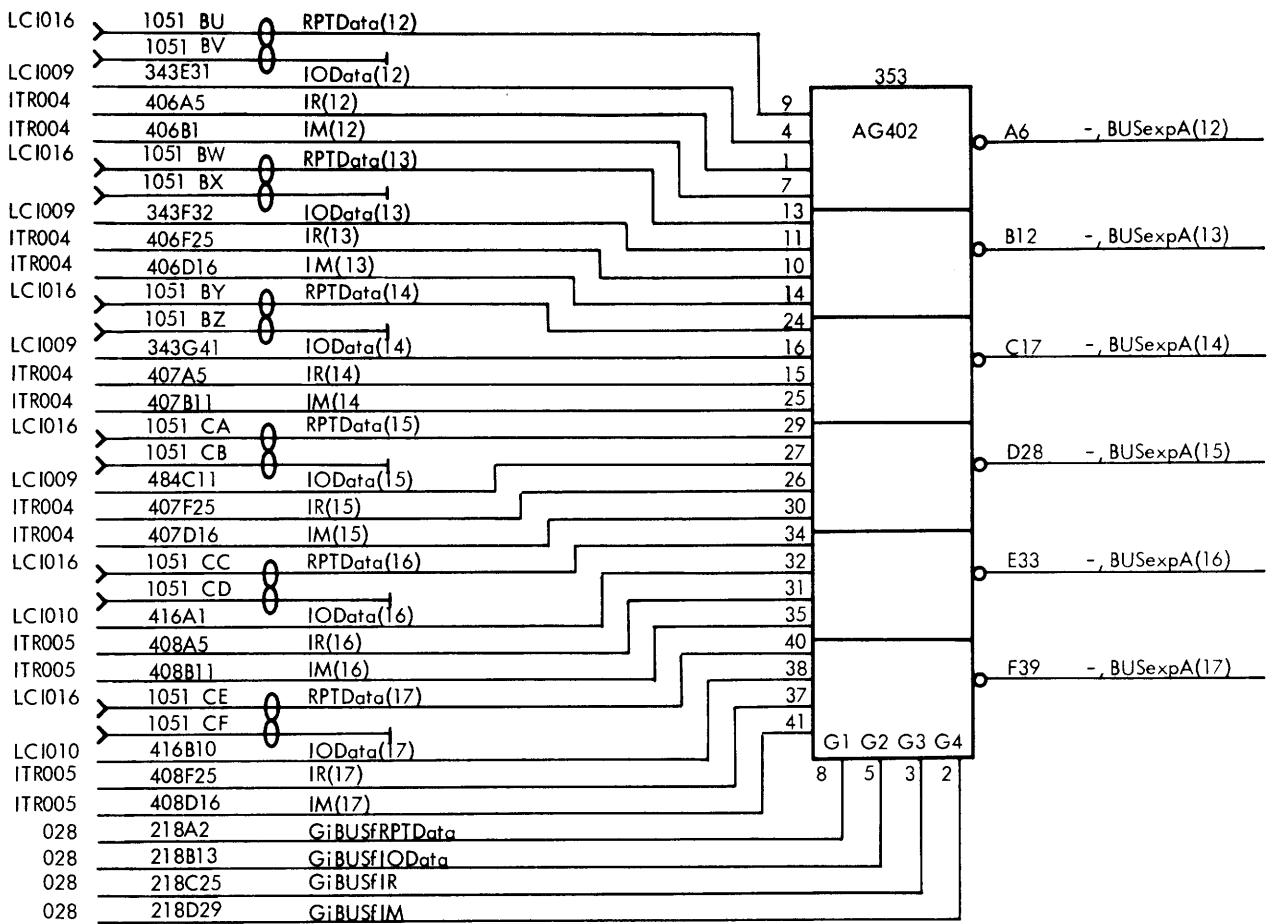


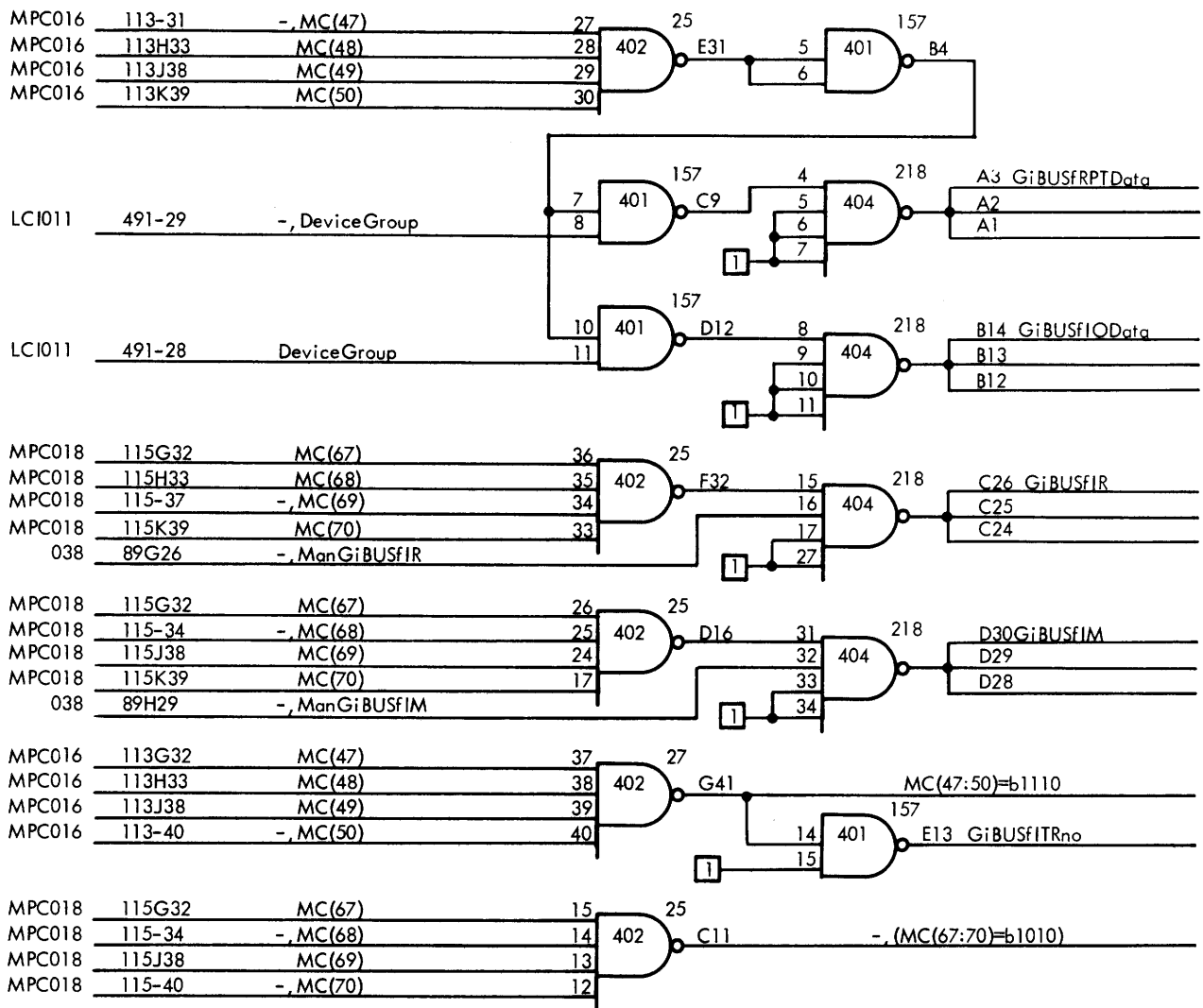


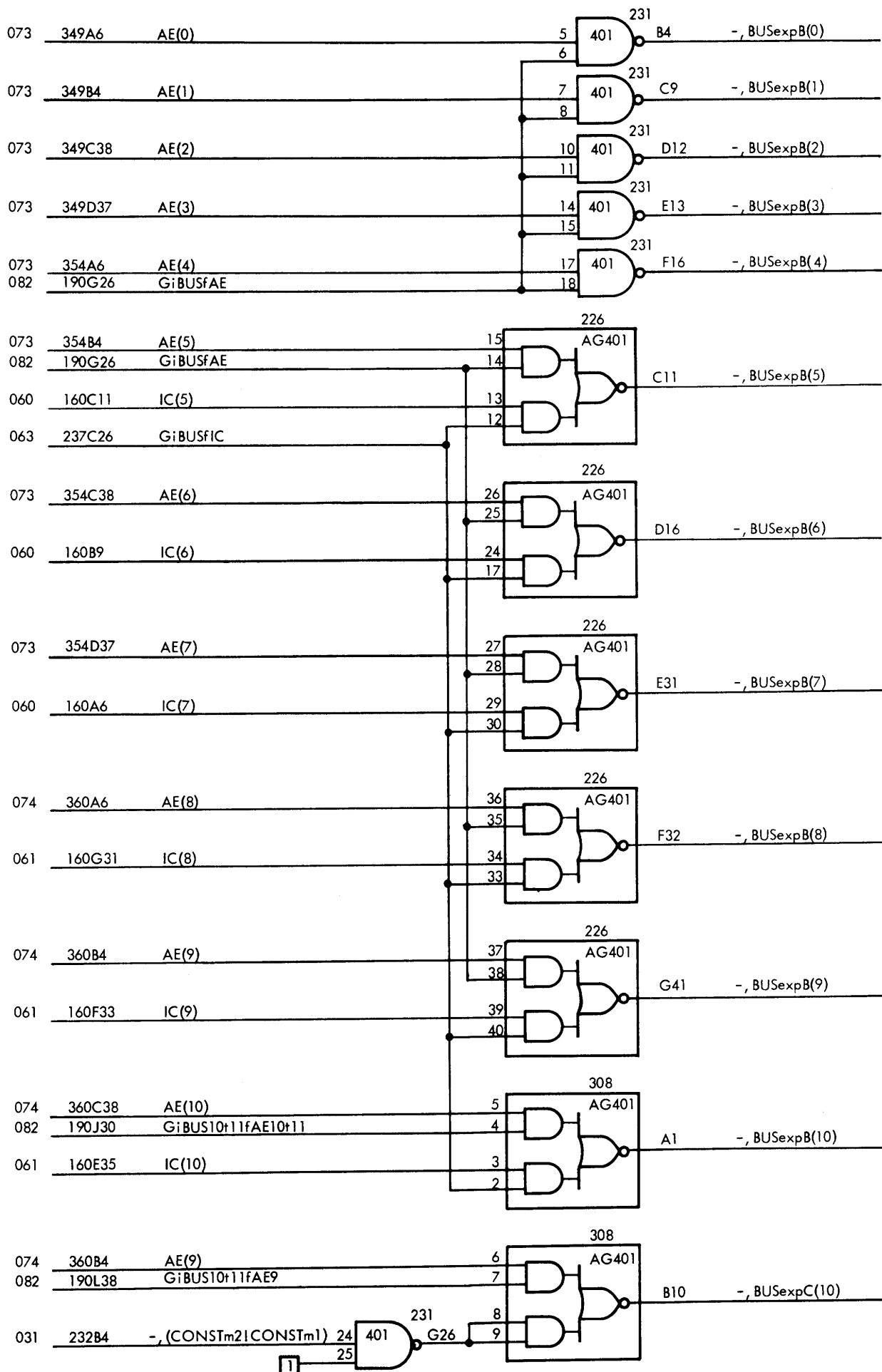


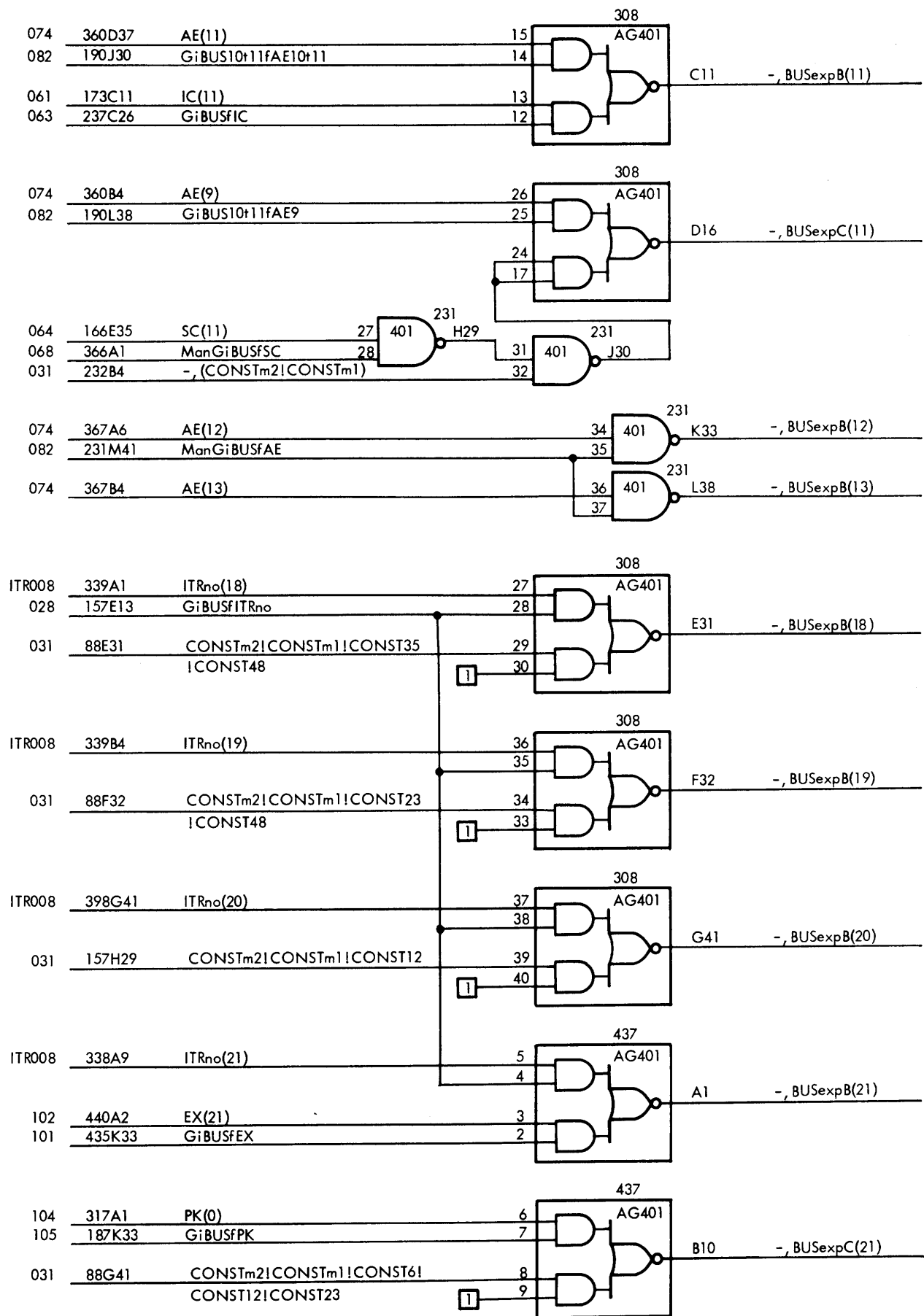


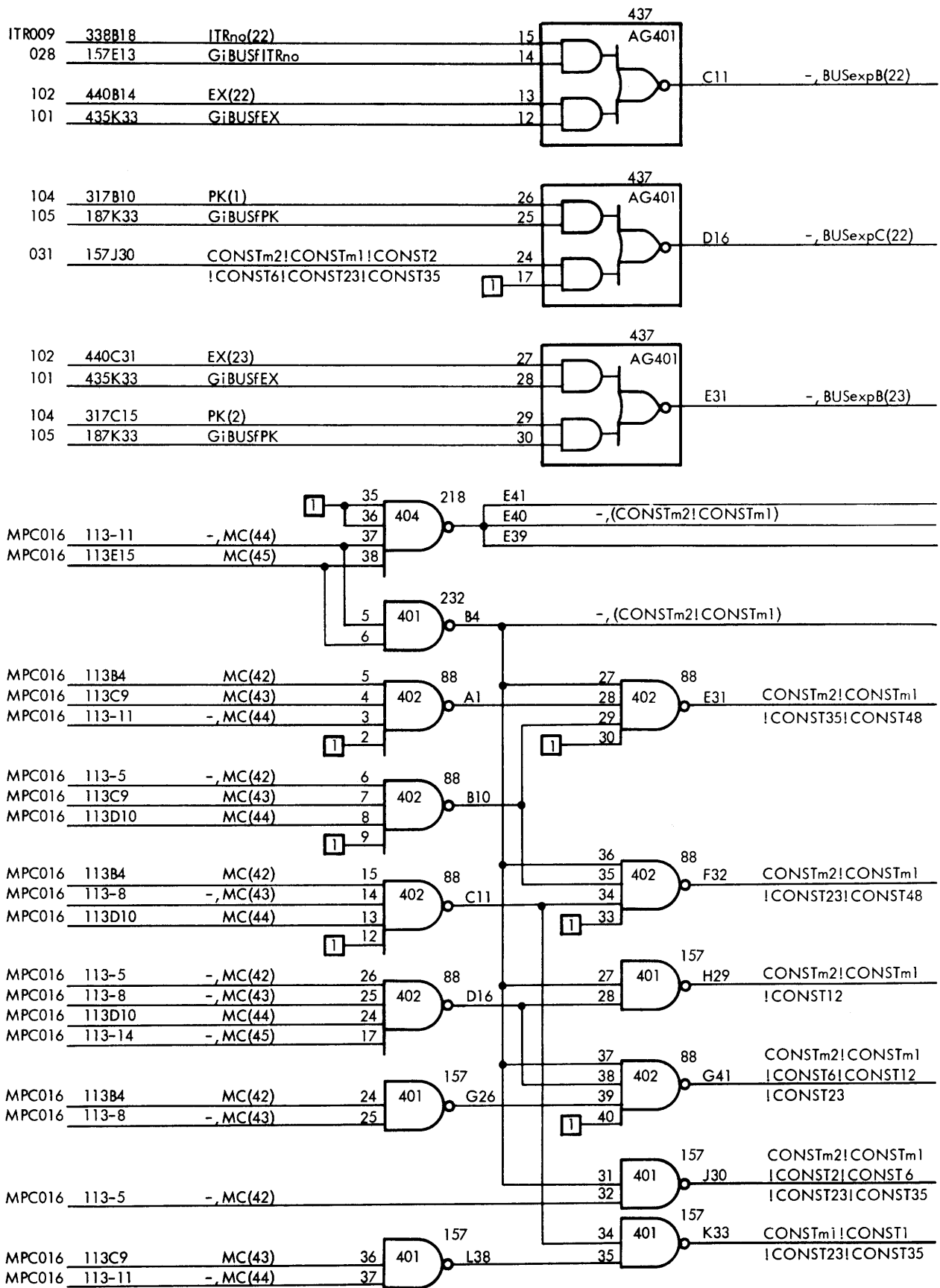


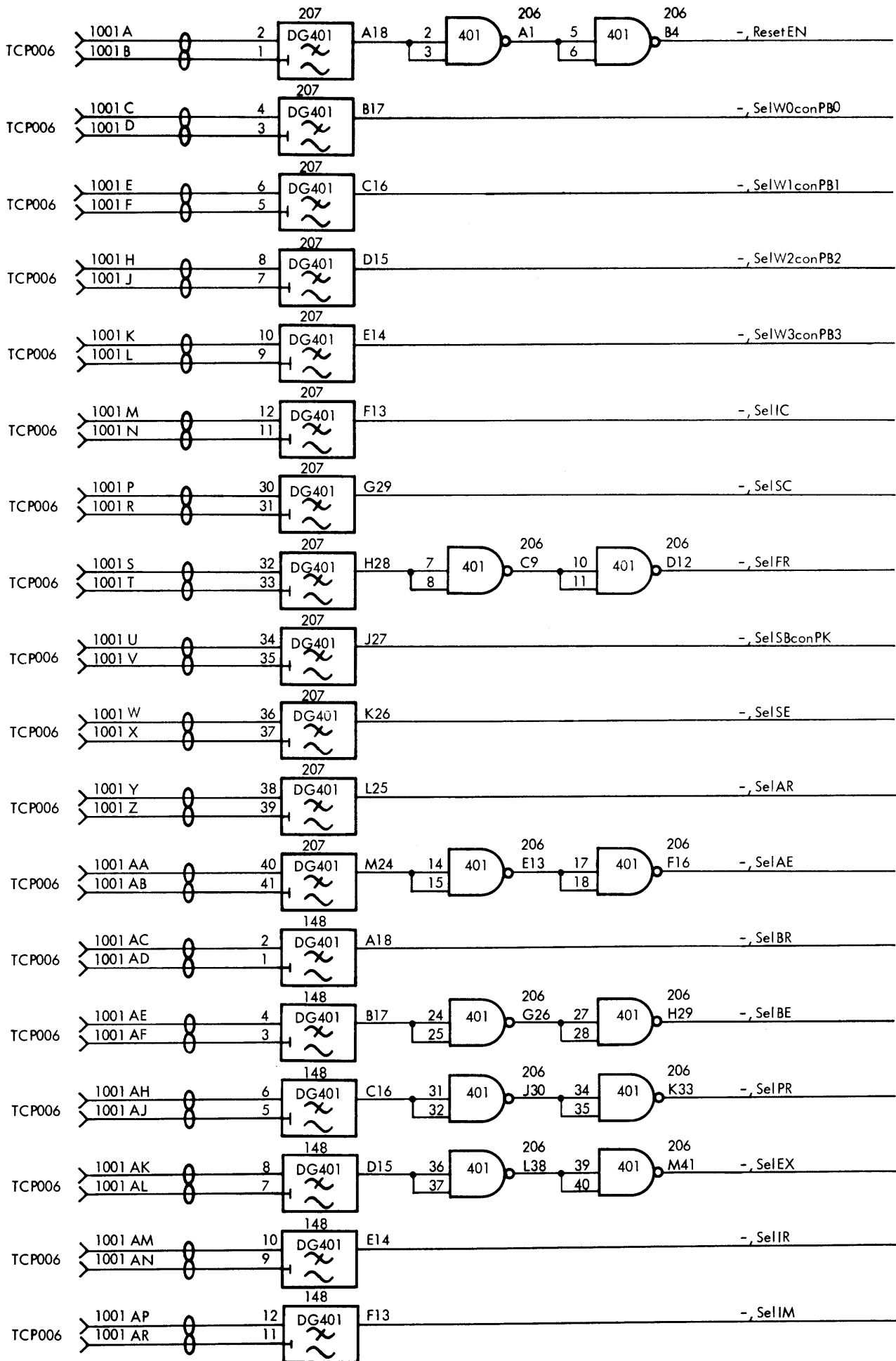


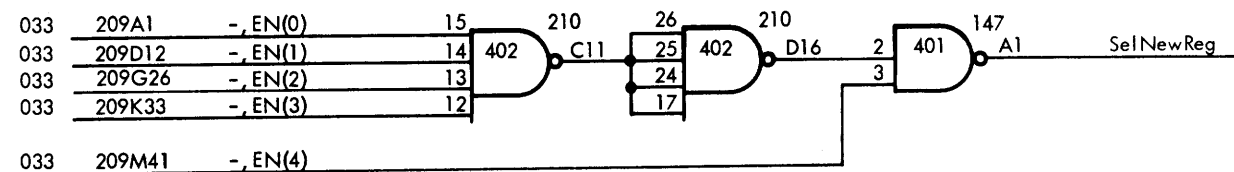
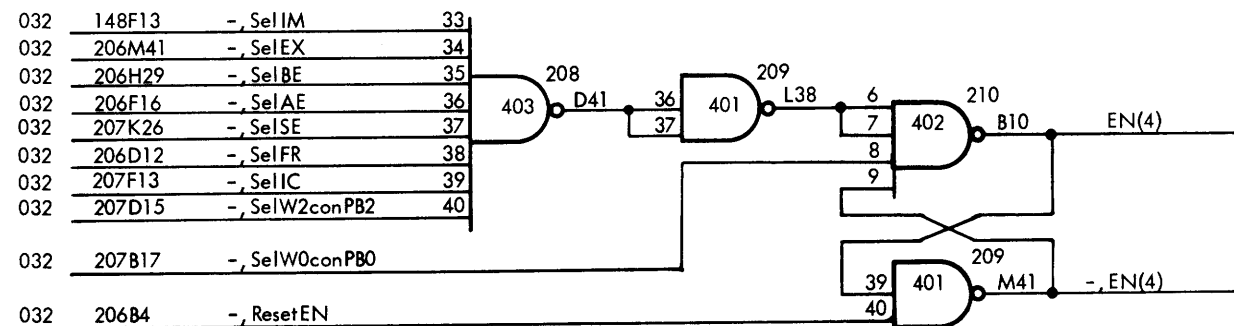
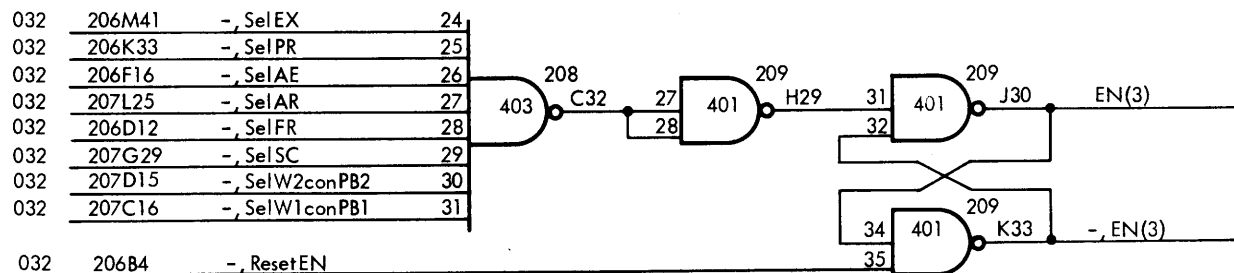
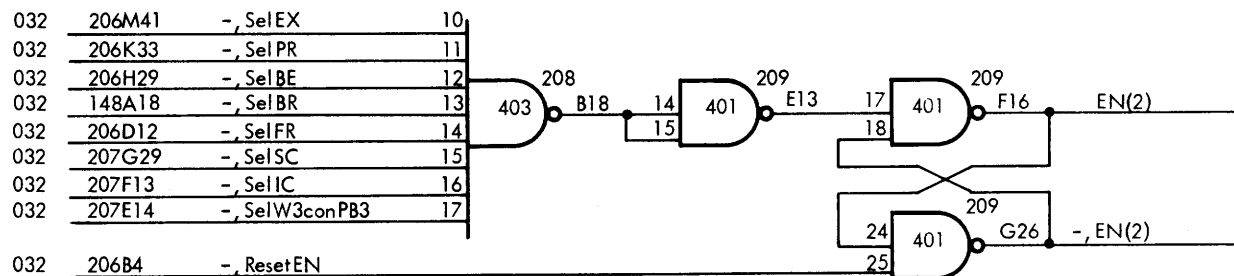
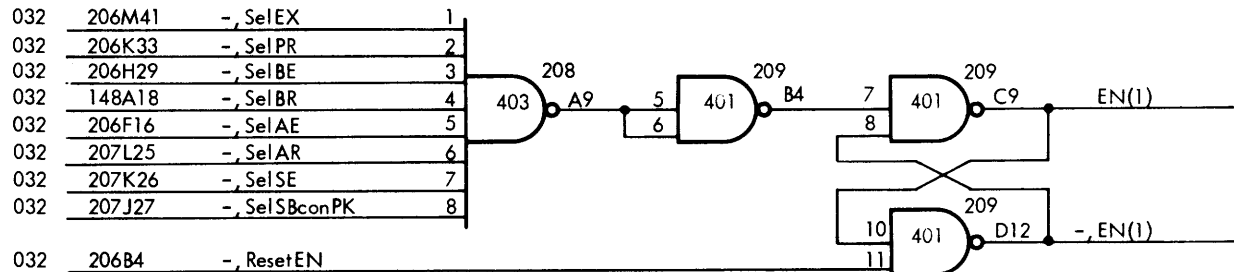
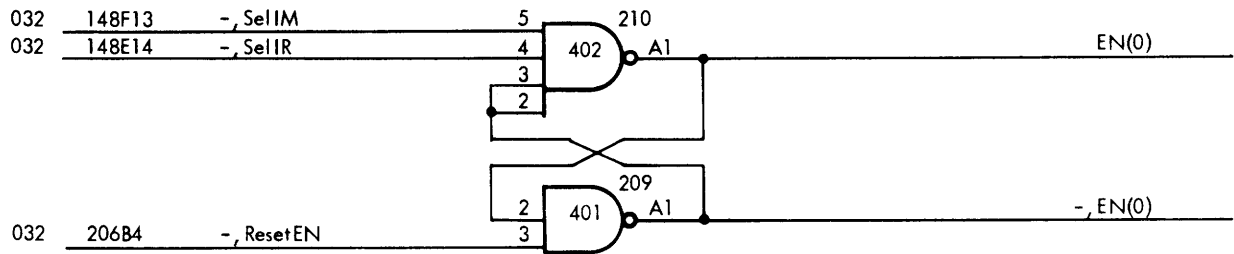


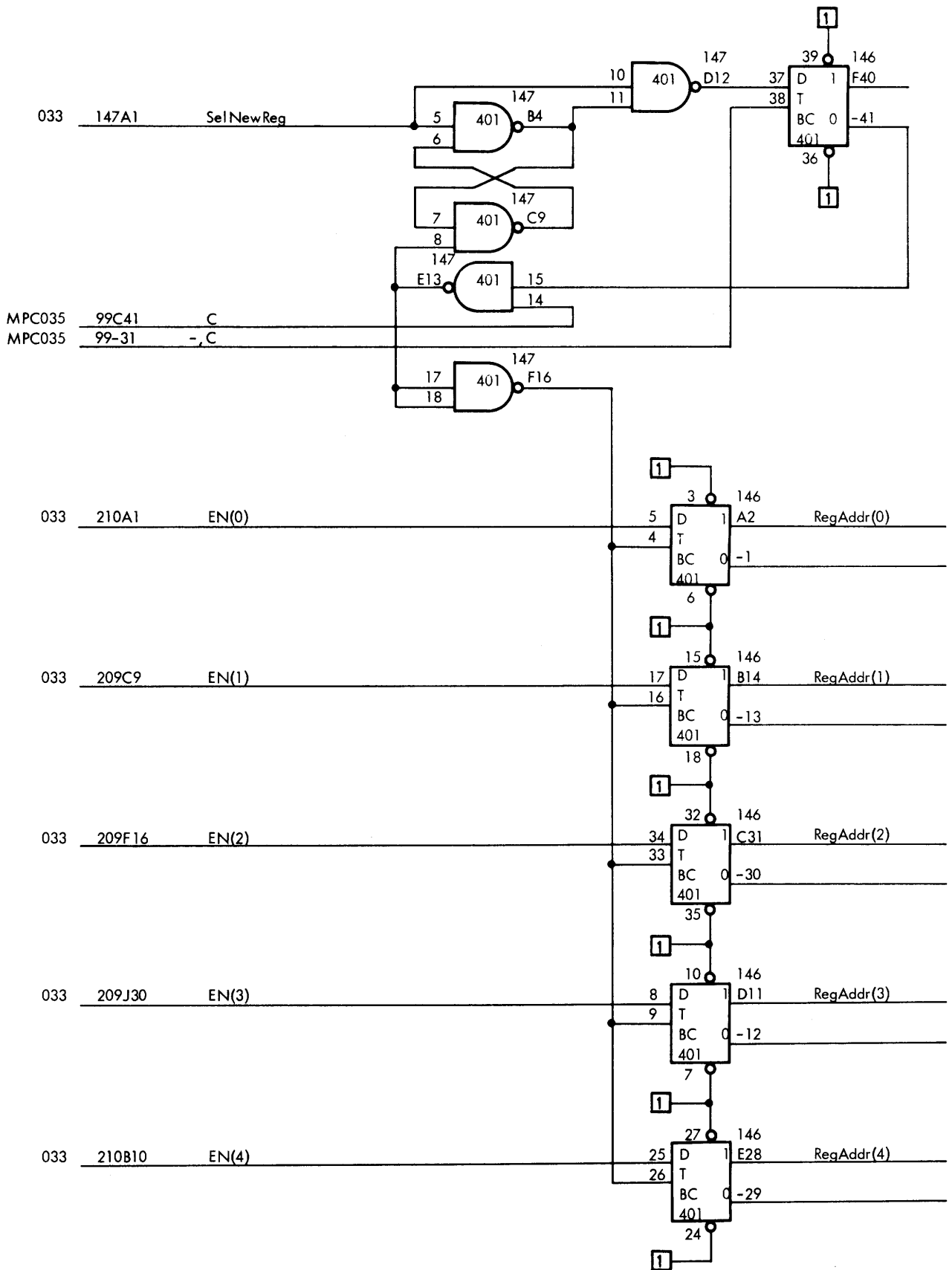


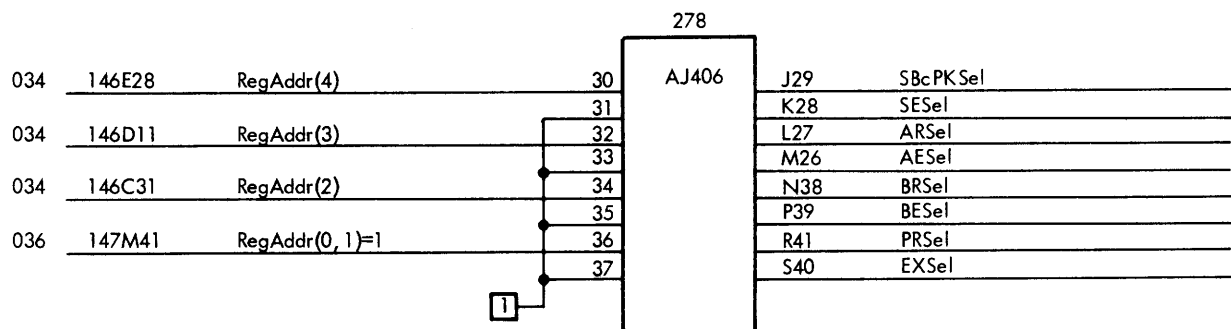
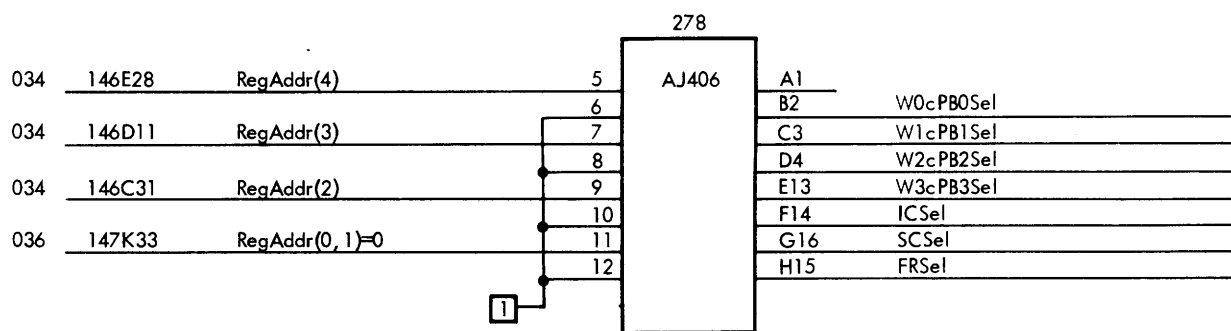


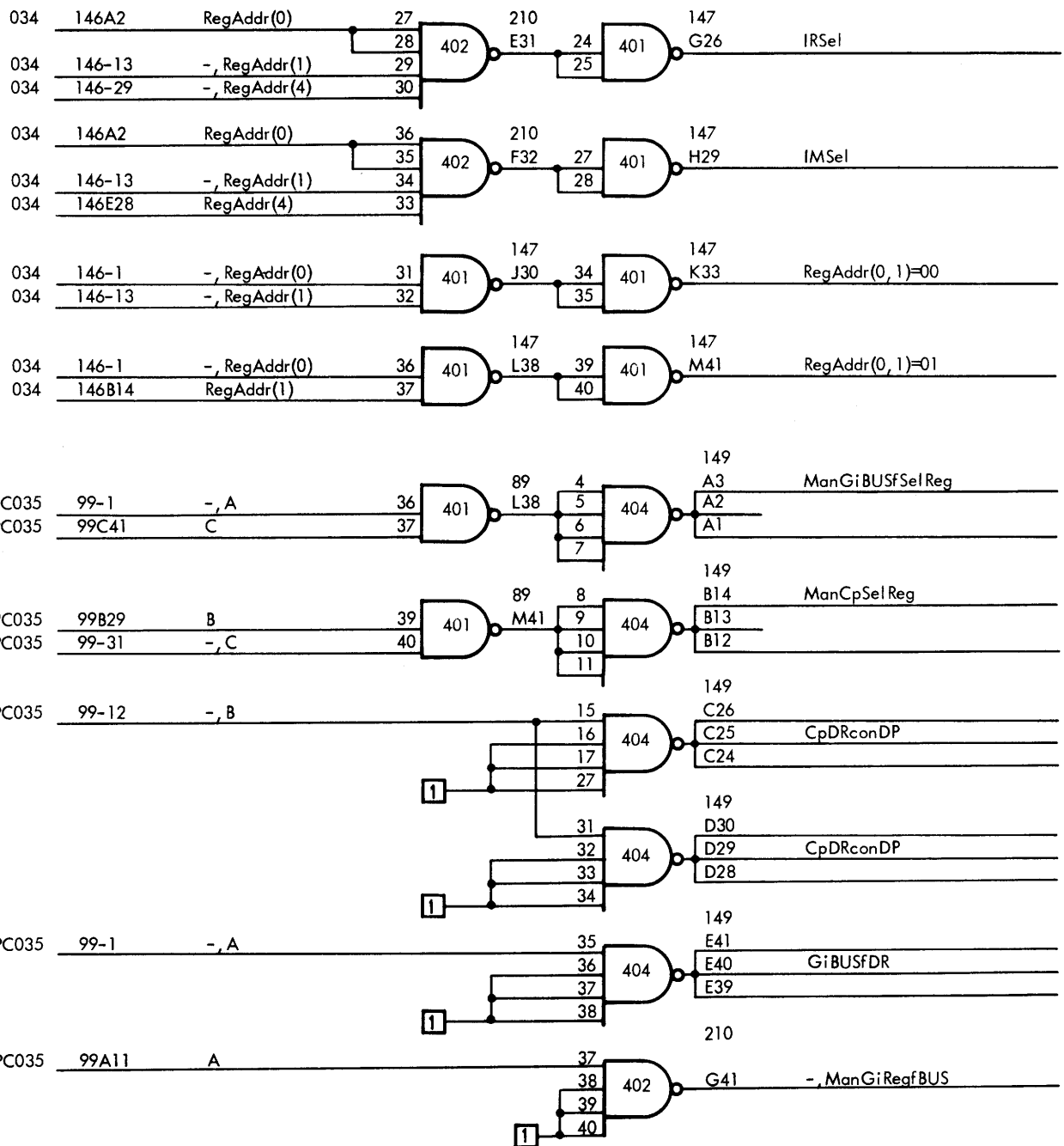


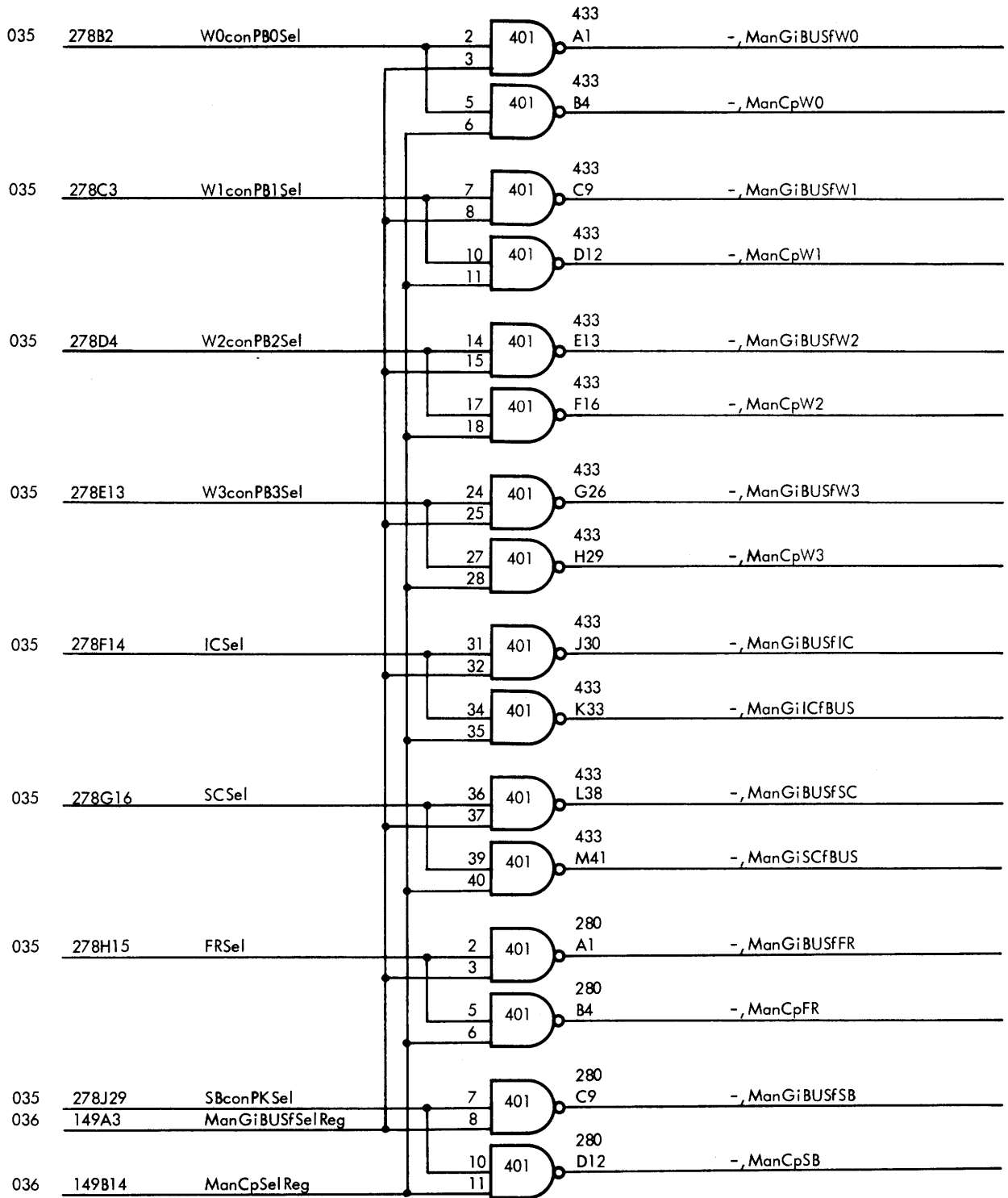


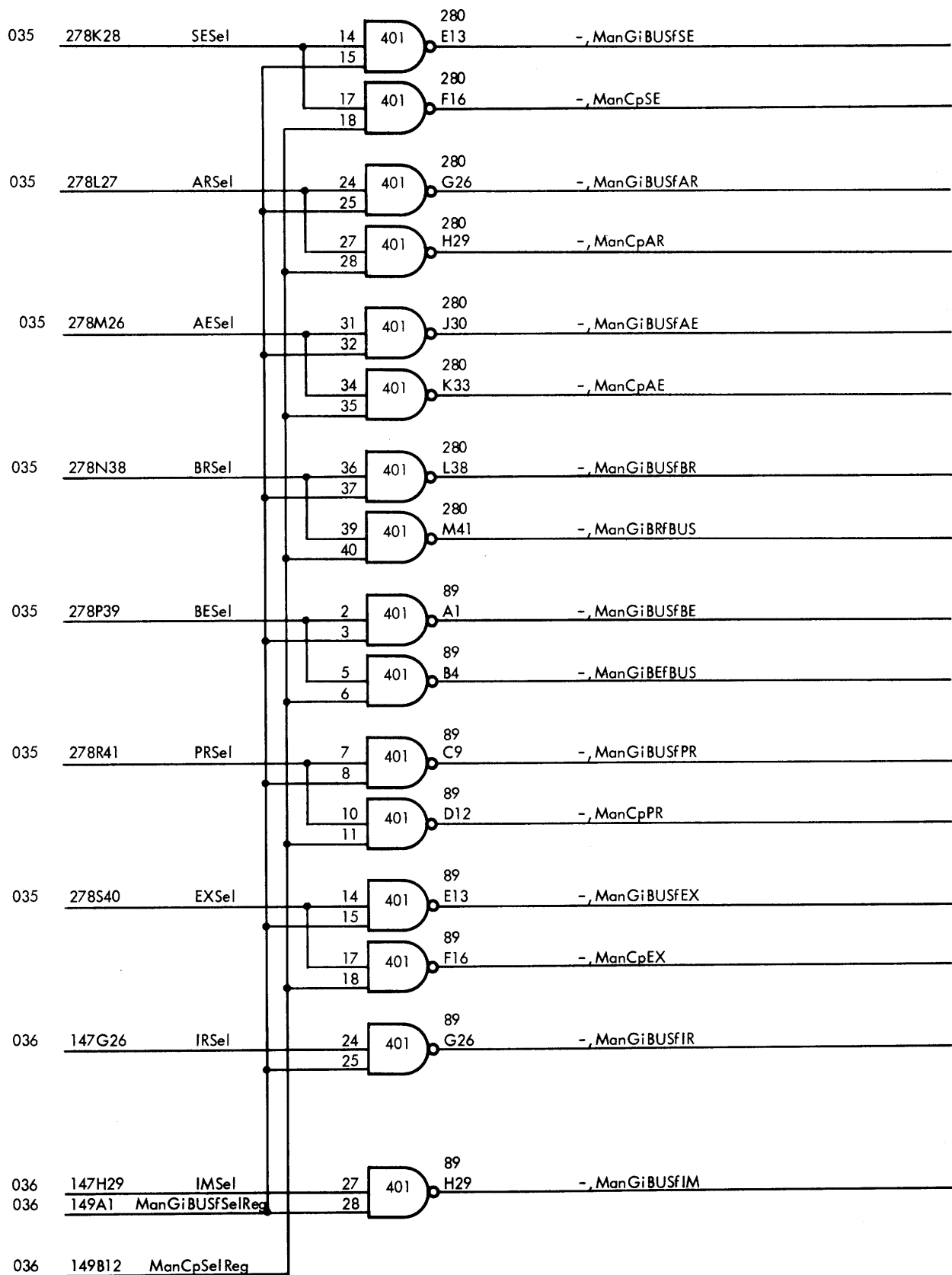


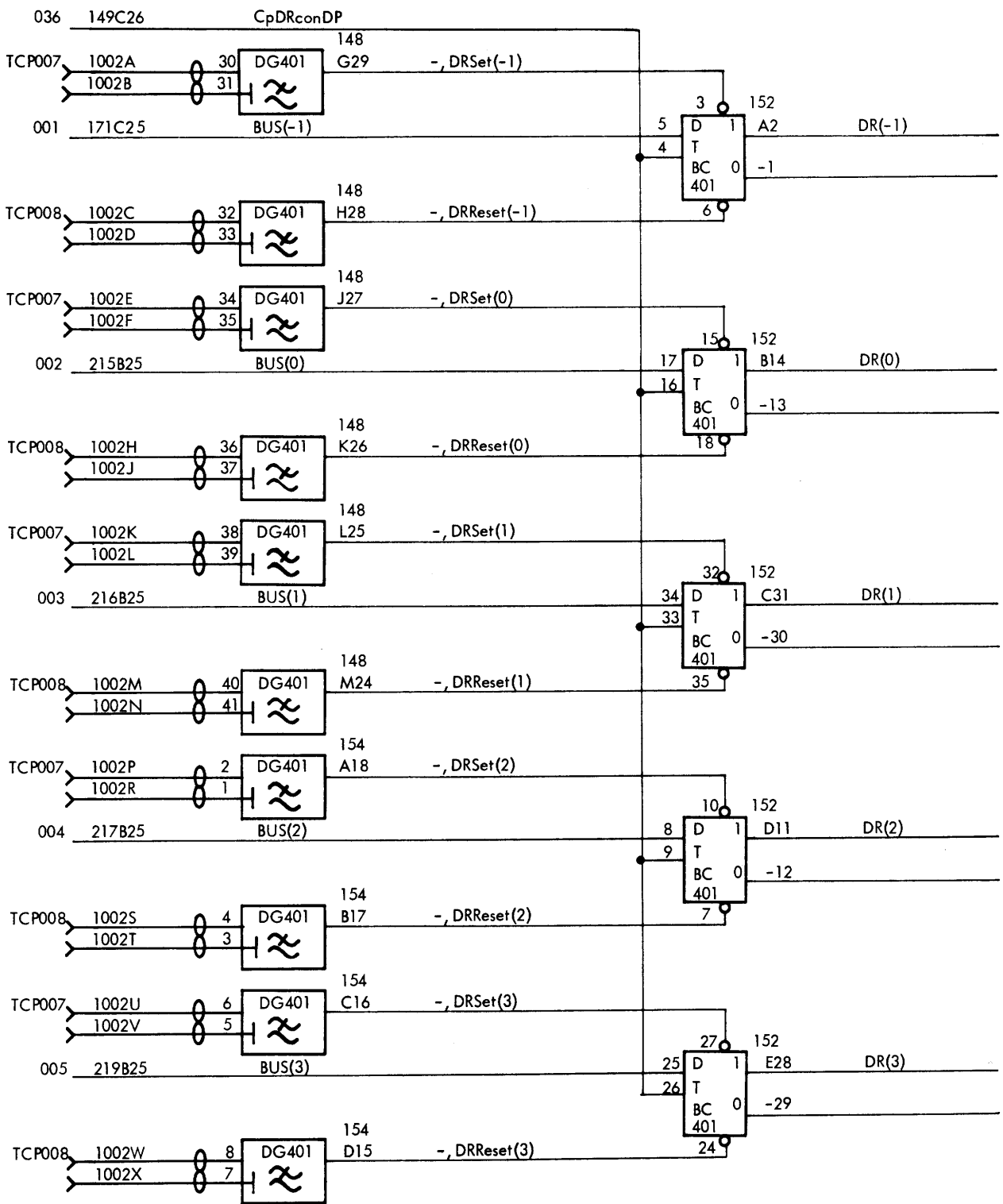


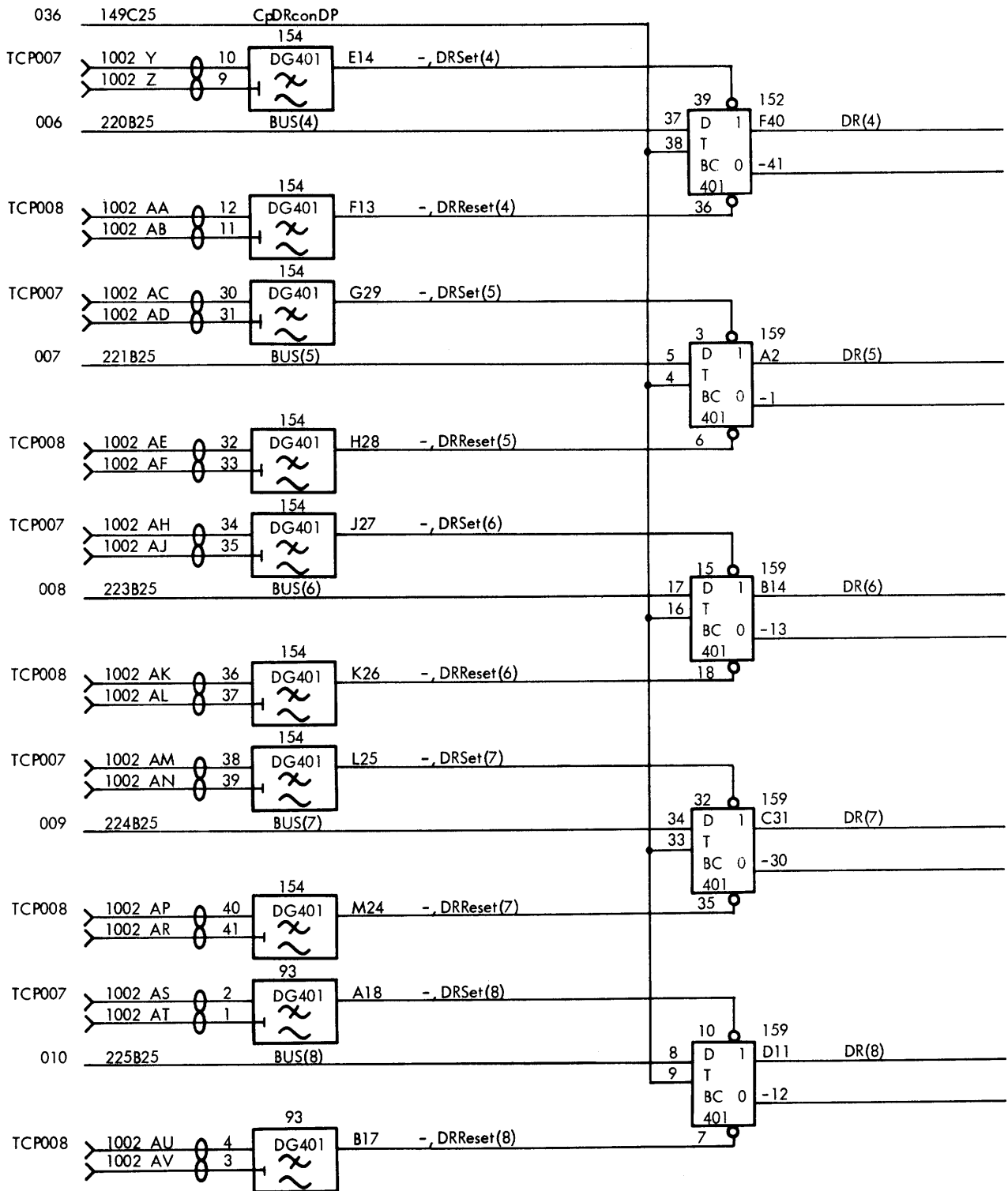


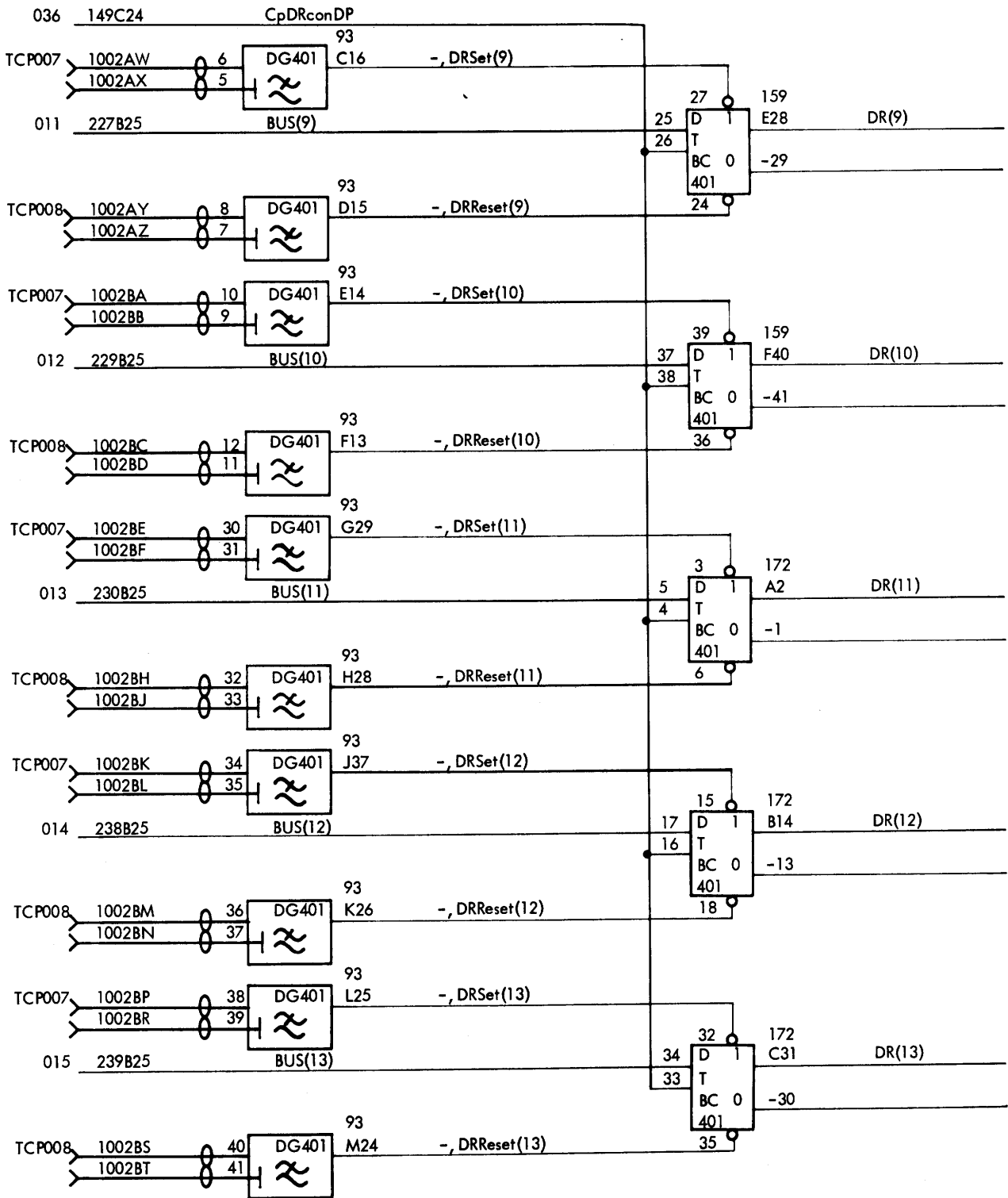


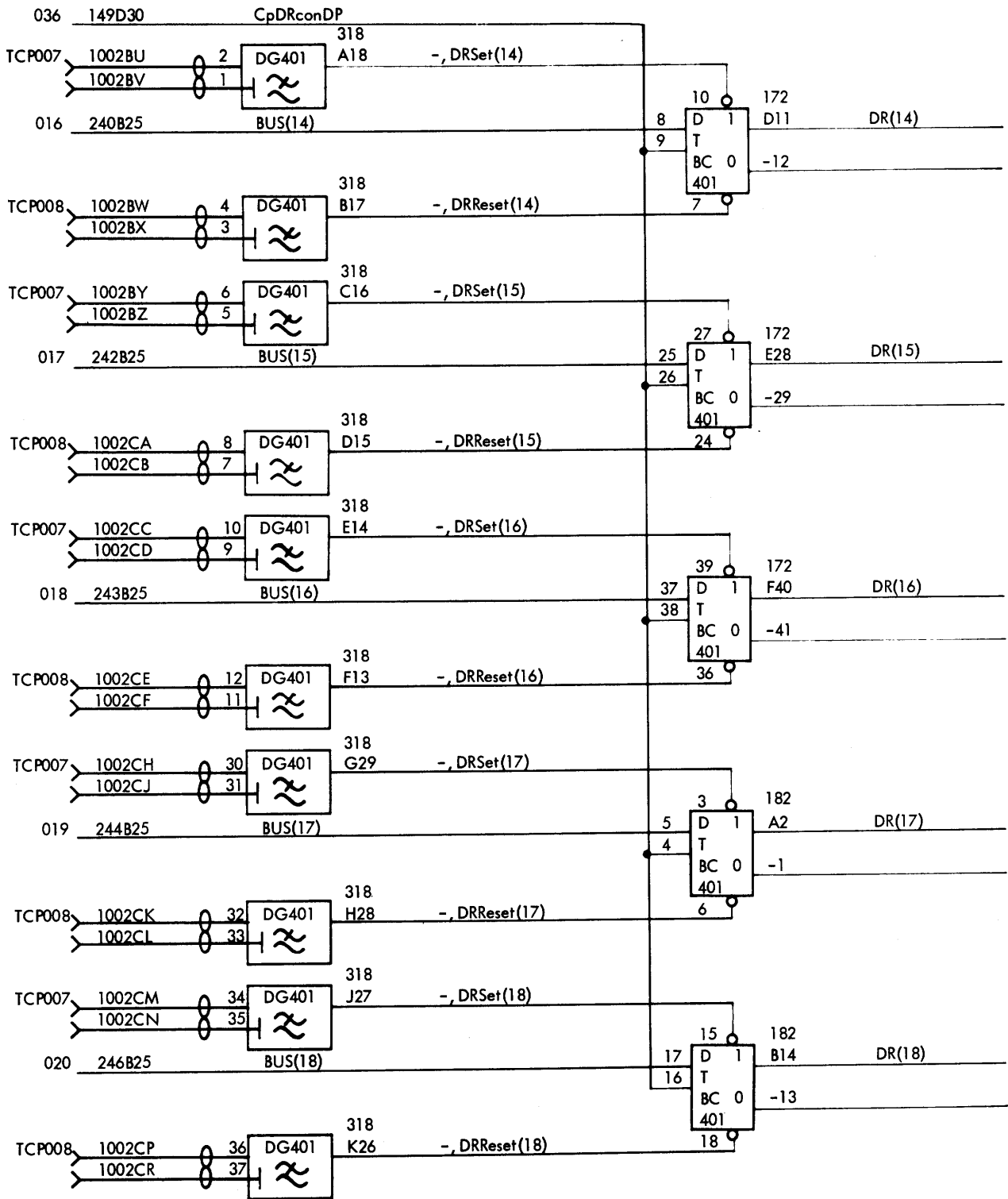


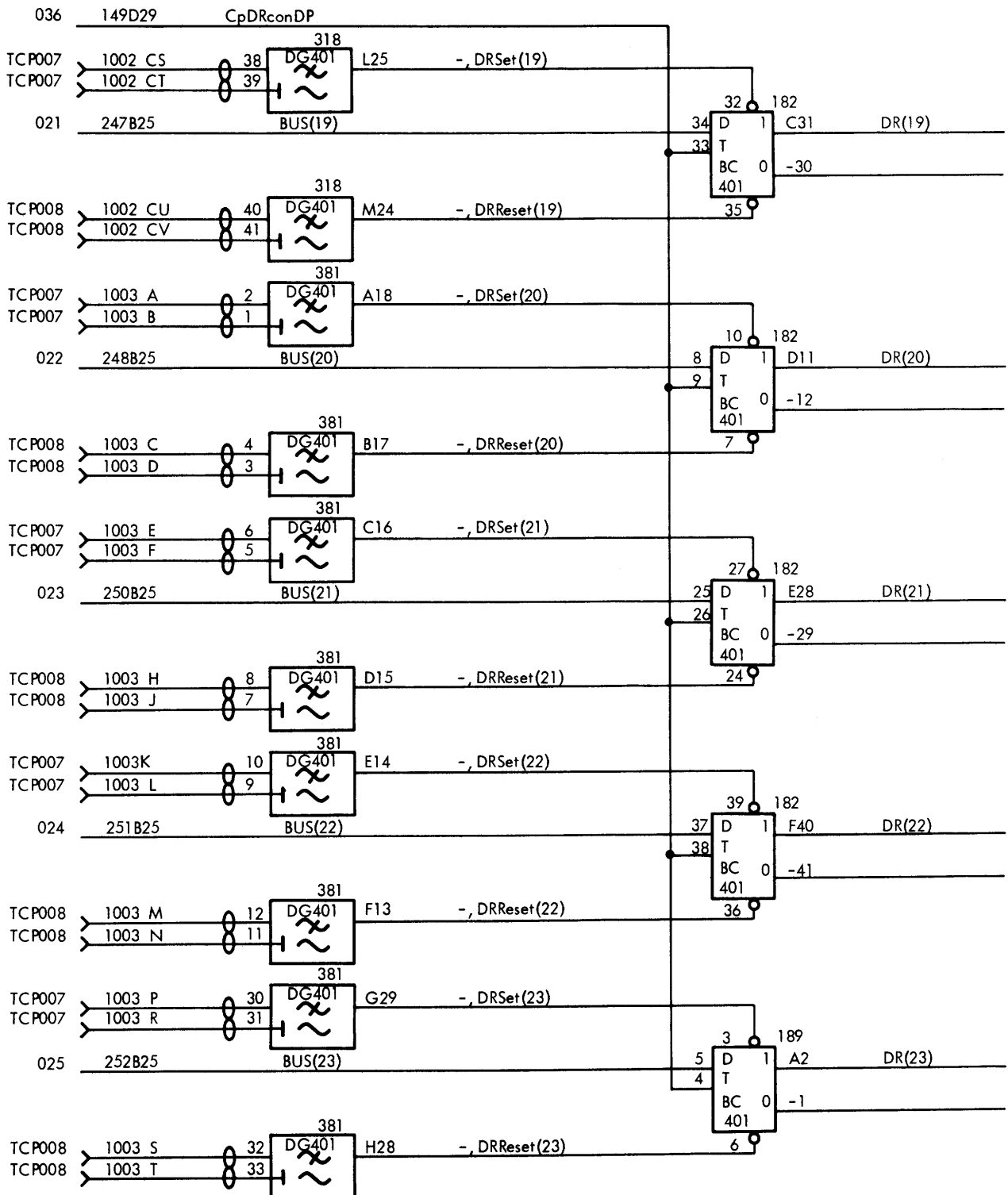


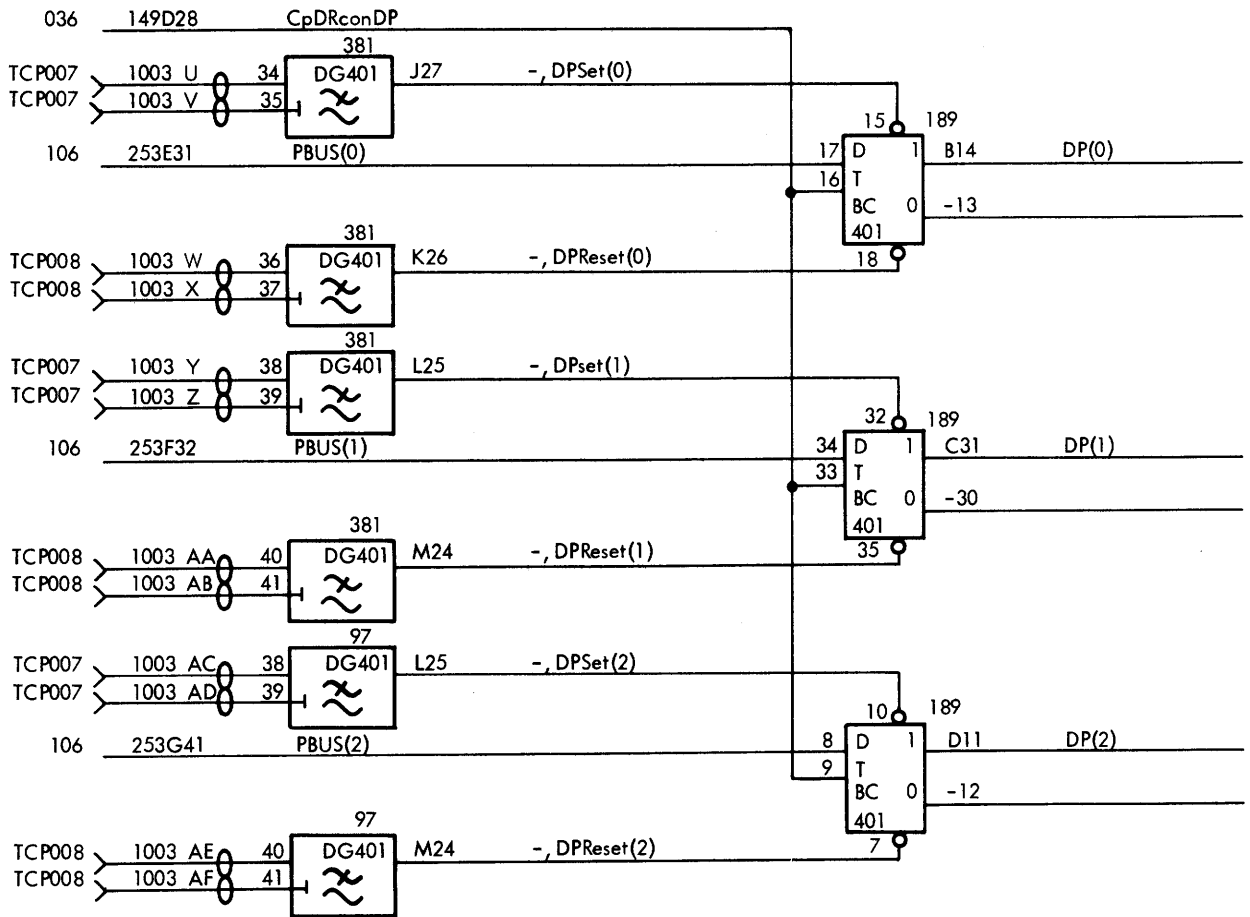


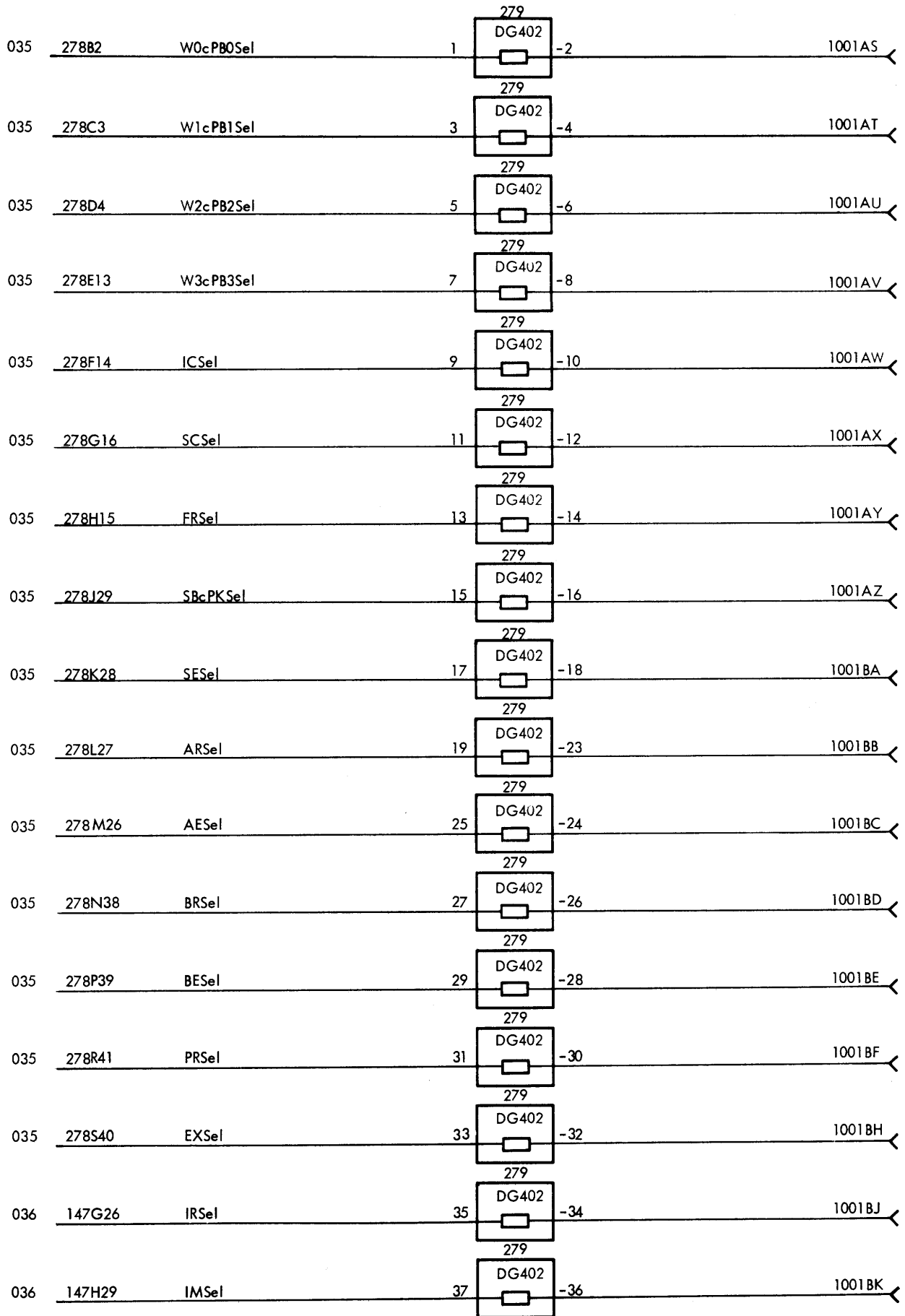


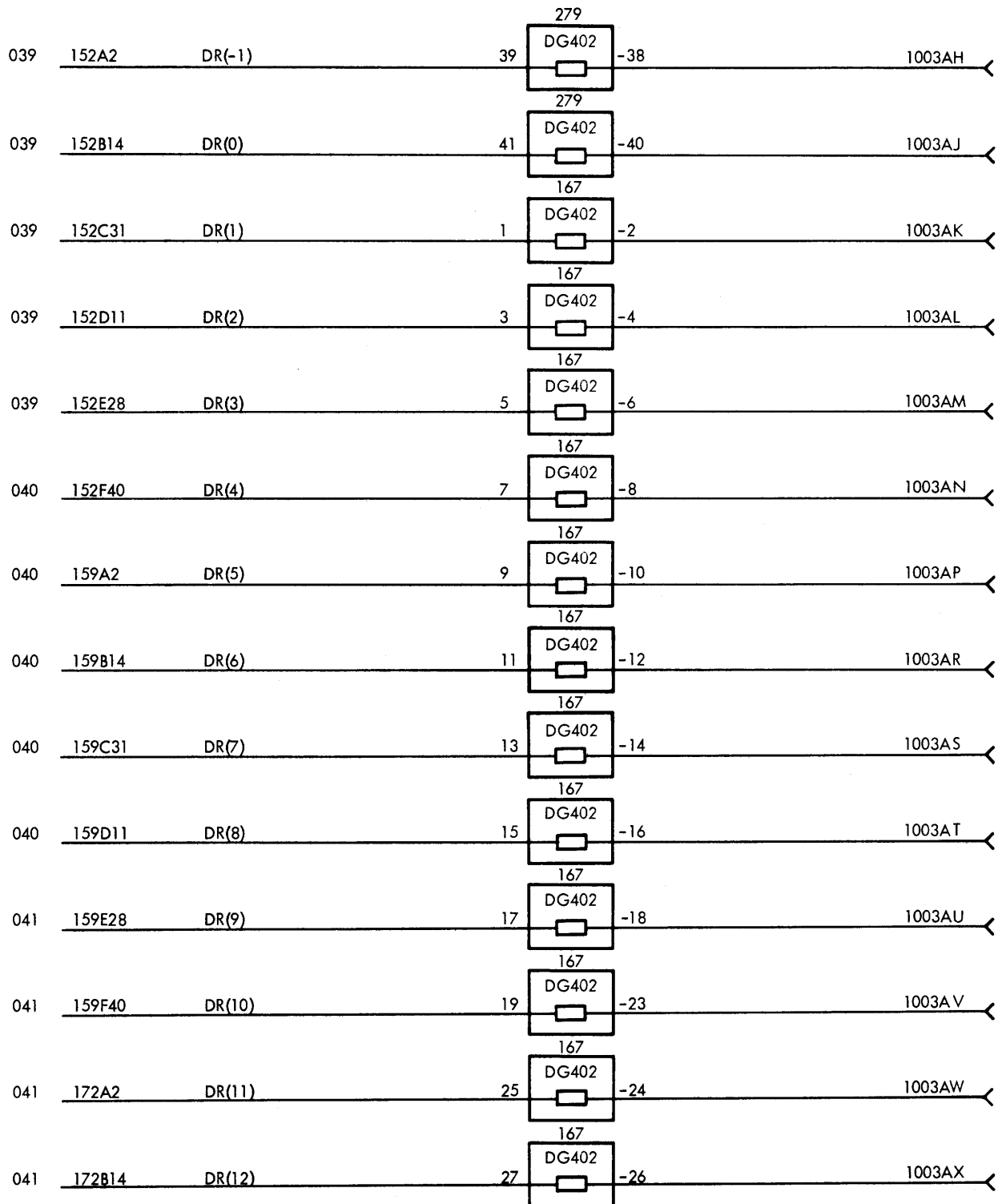


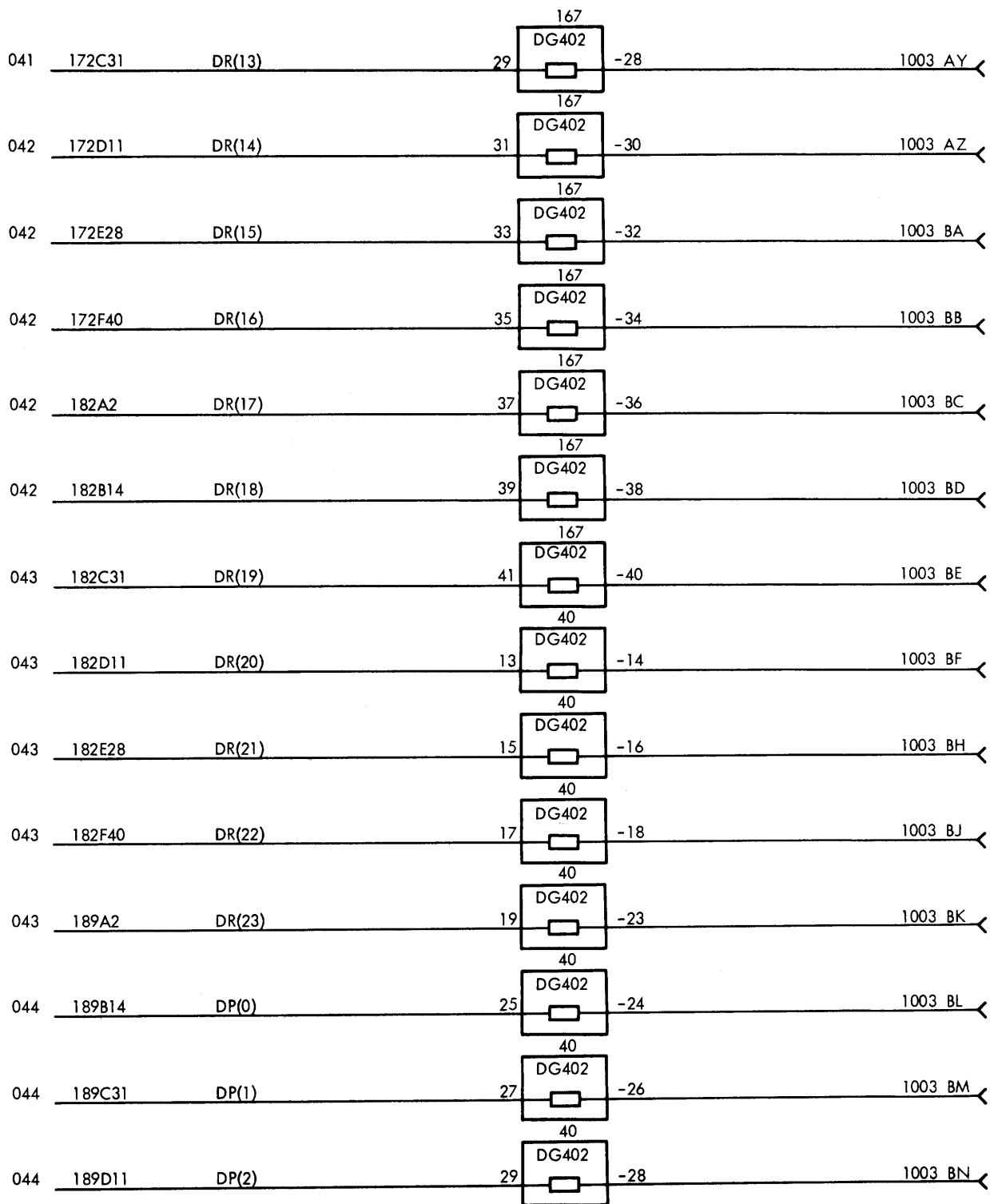












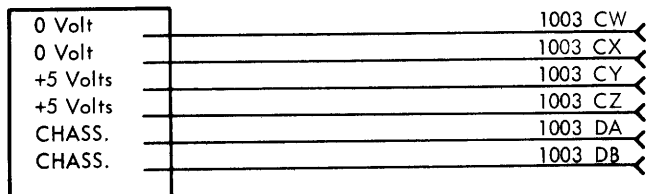
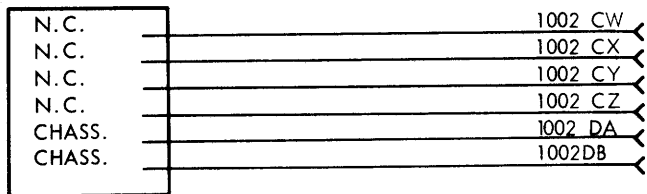
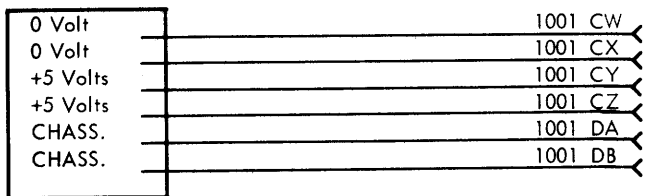
INDICATOR INTERFACE FOR
DISPLAY OF DR REGISTER

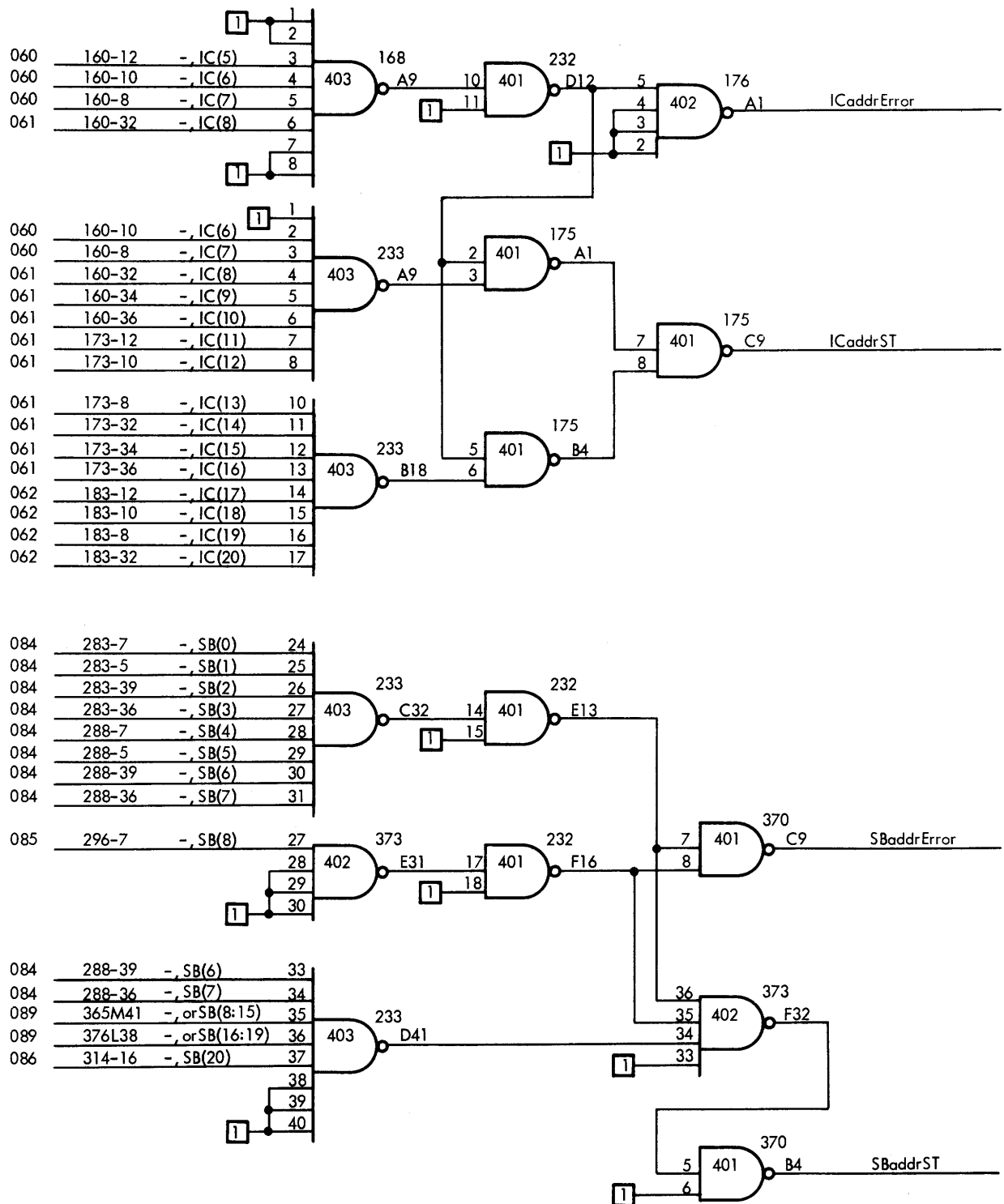
RC4000

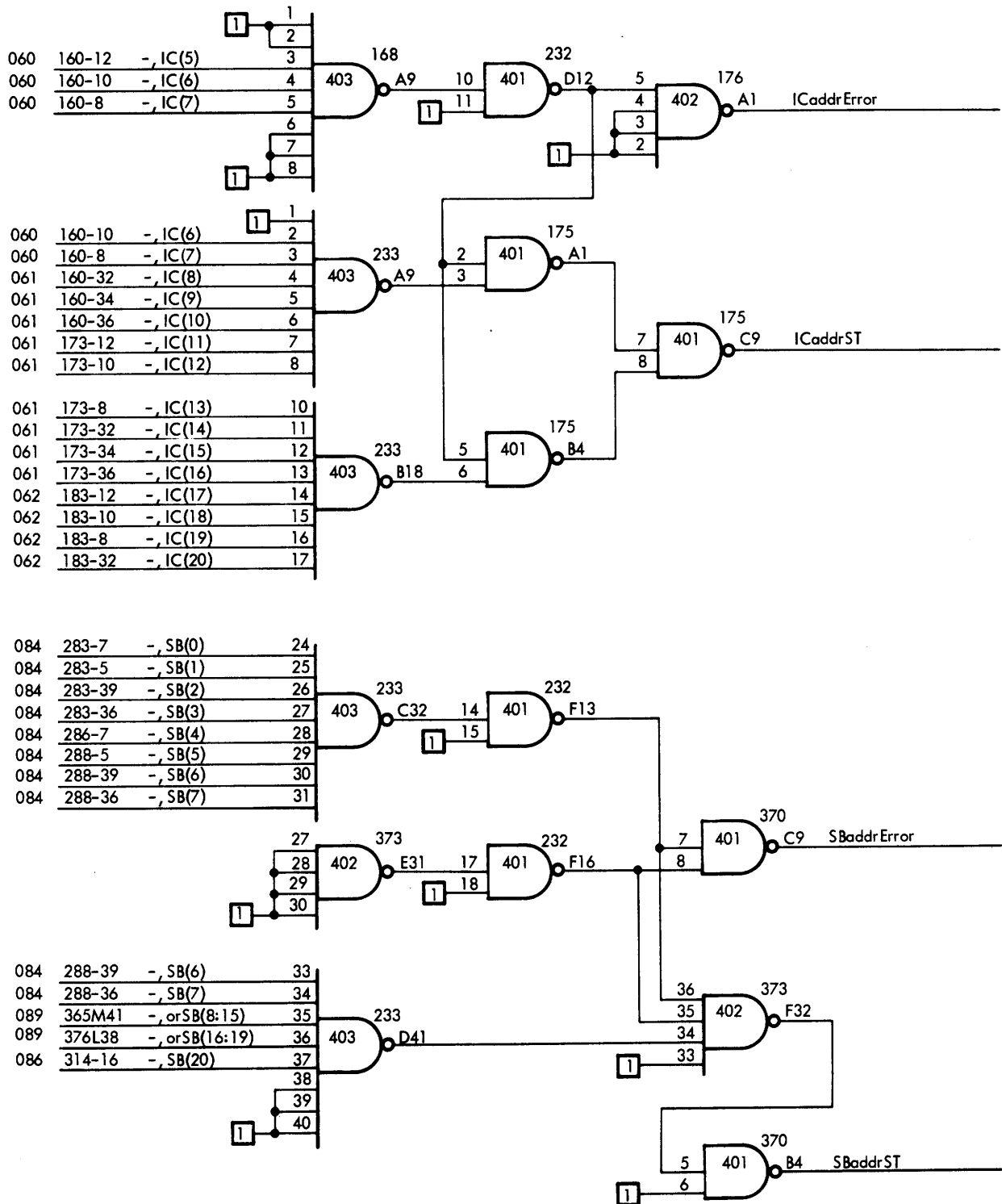
V10392

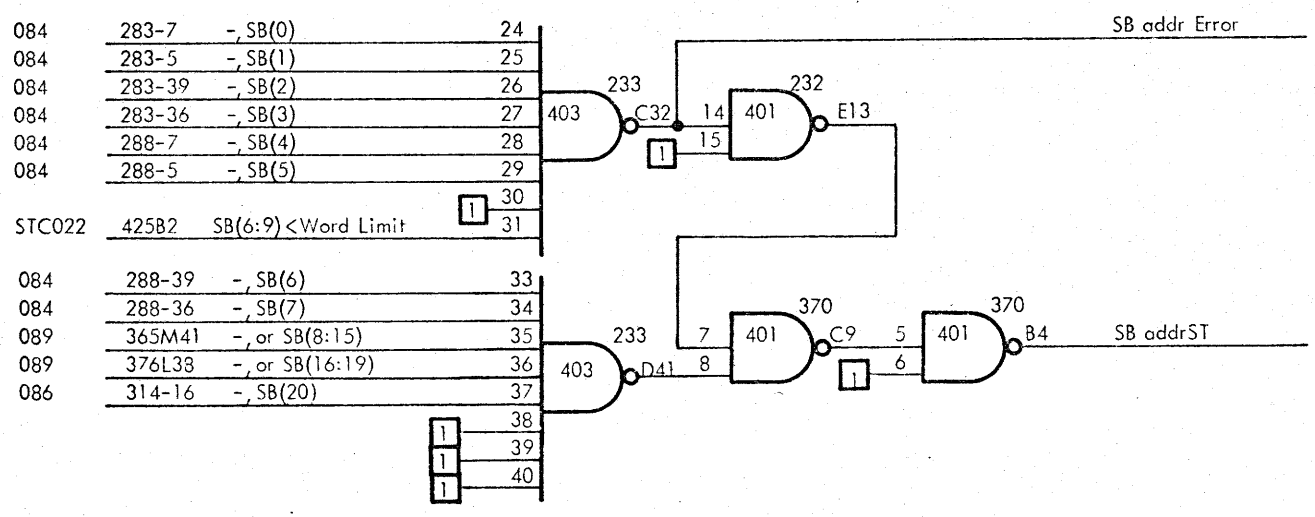
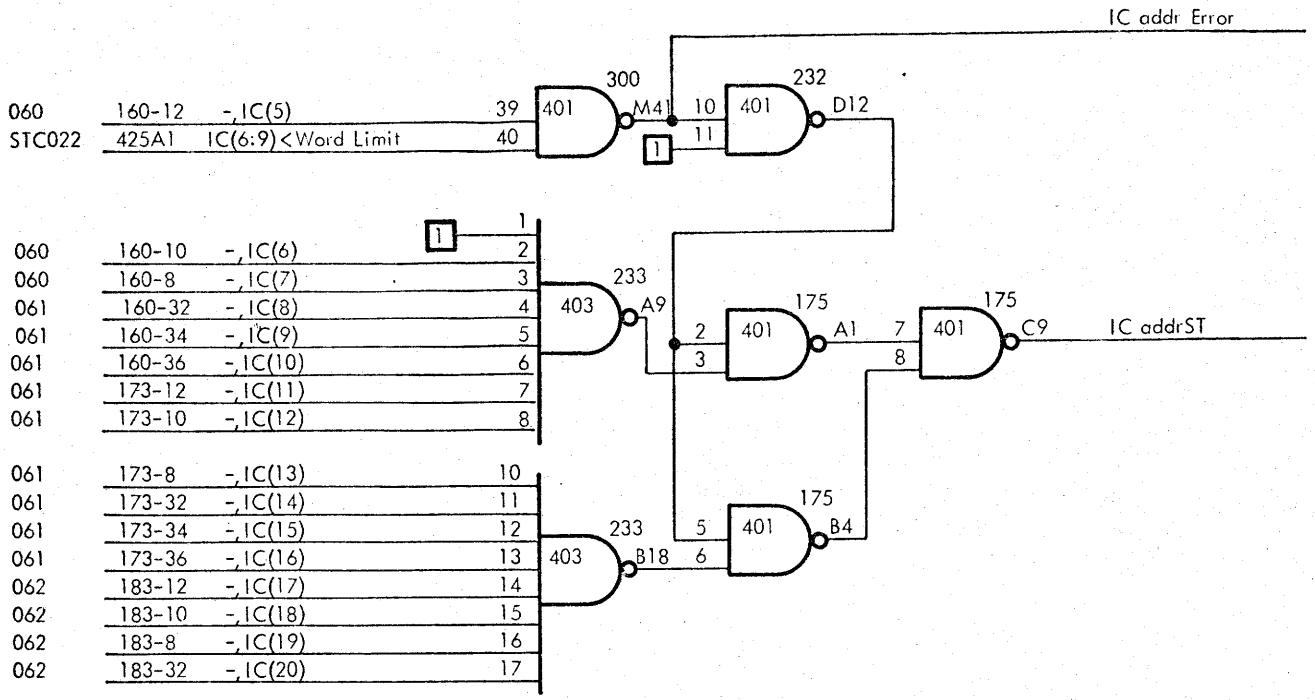
Logic Diagram

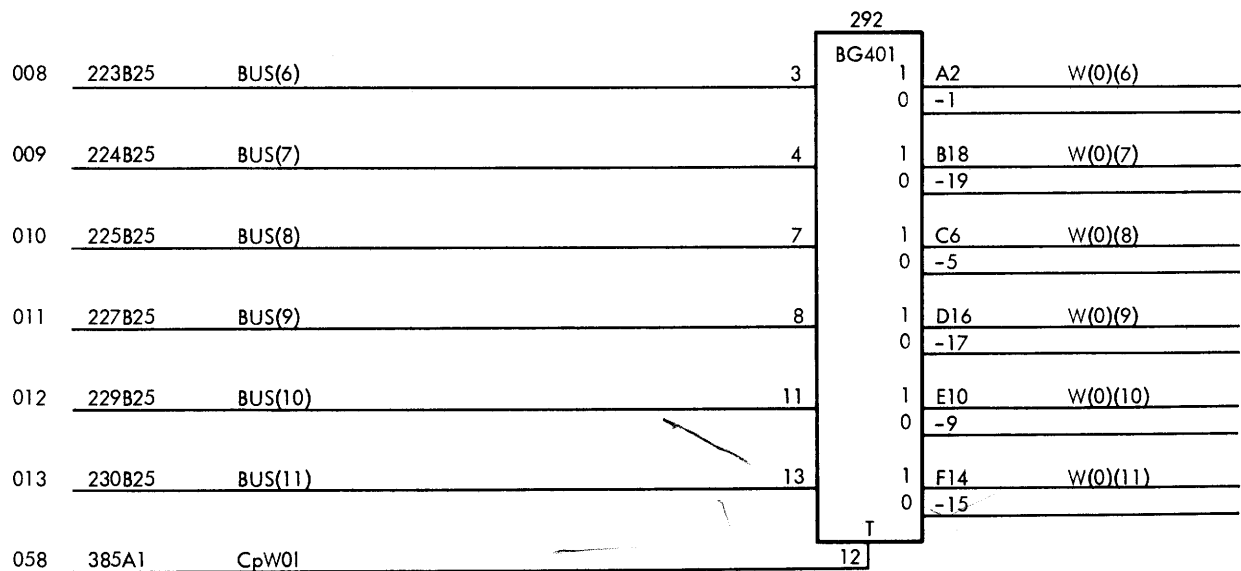
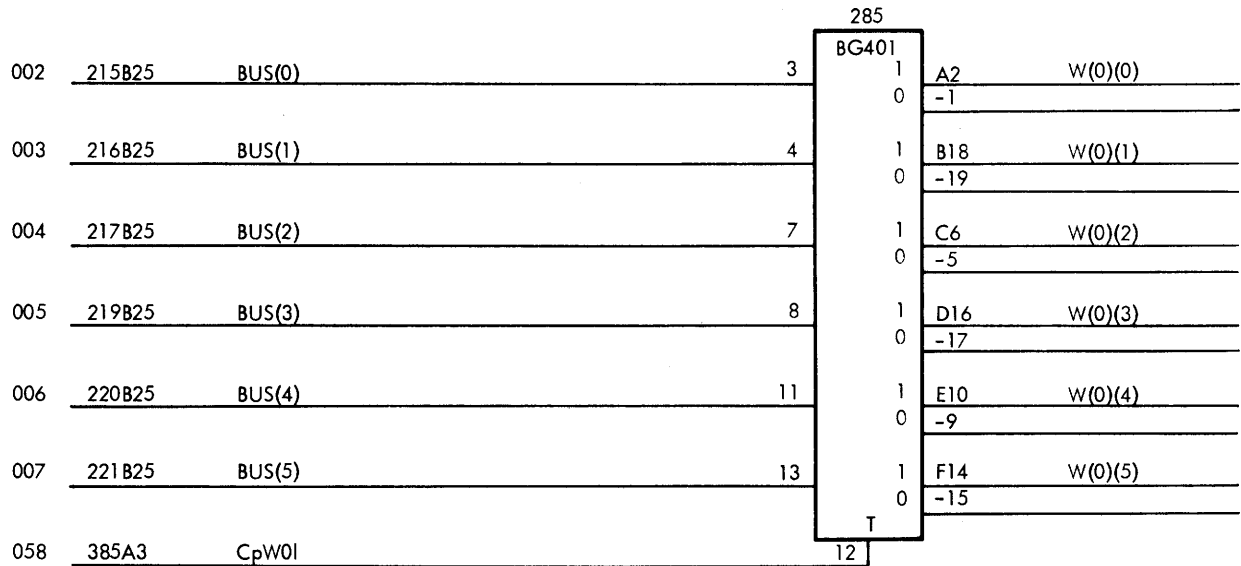
ARU047

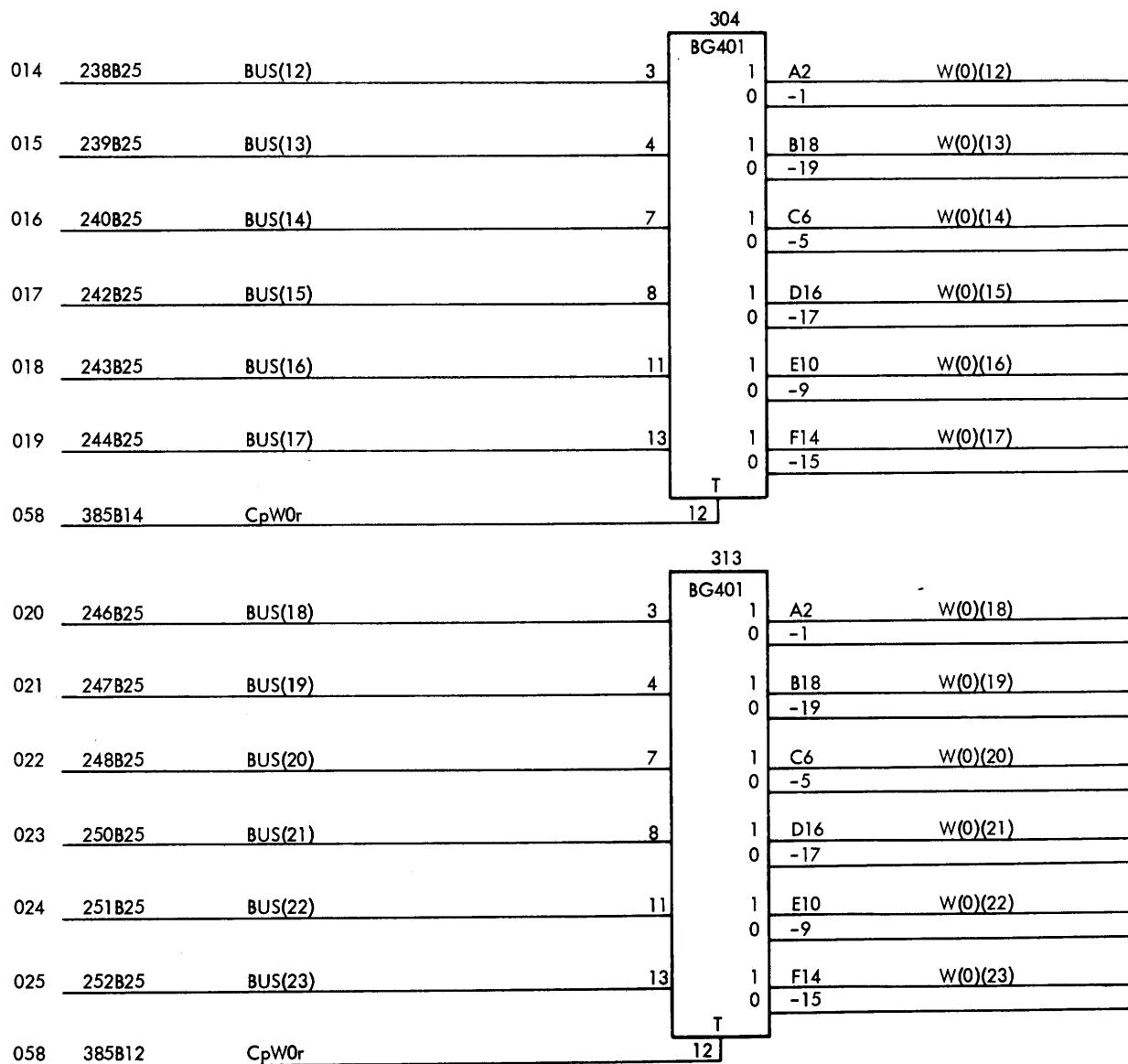


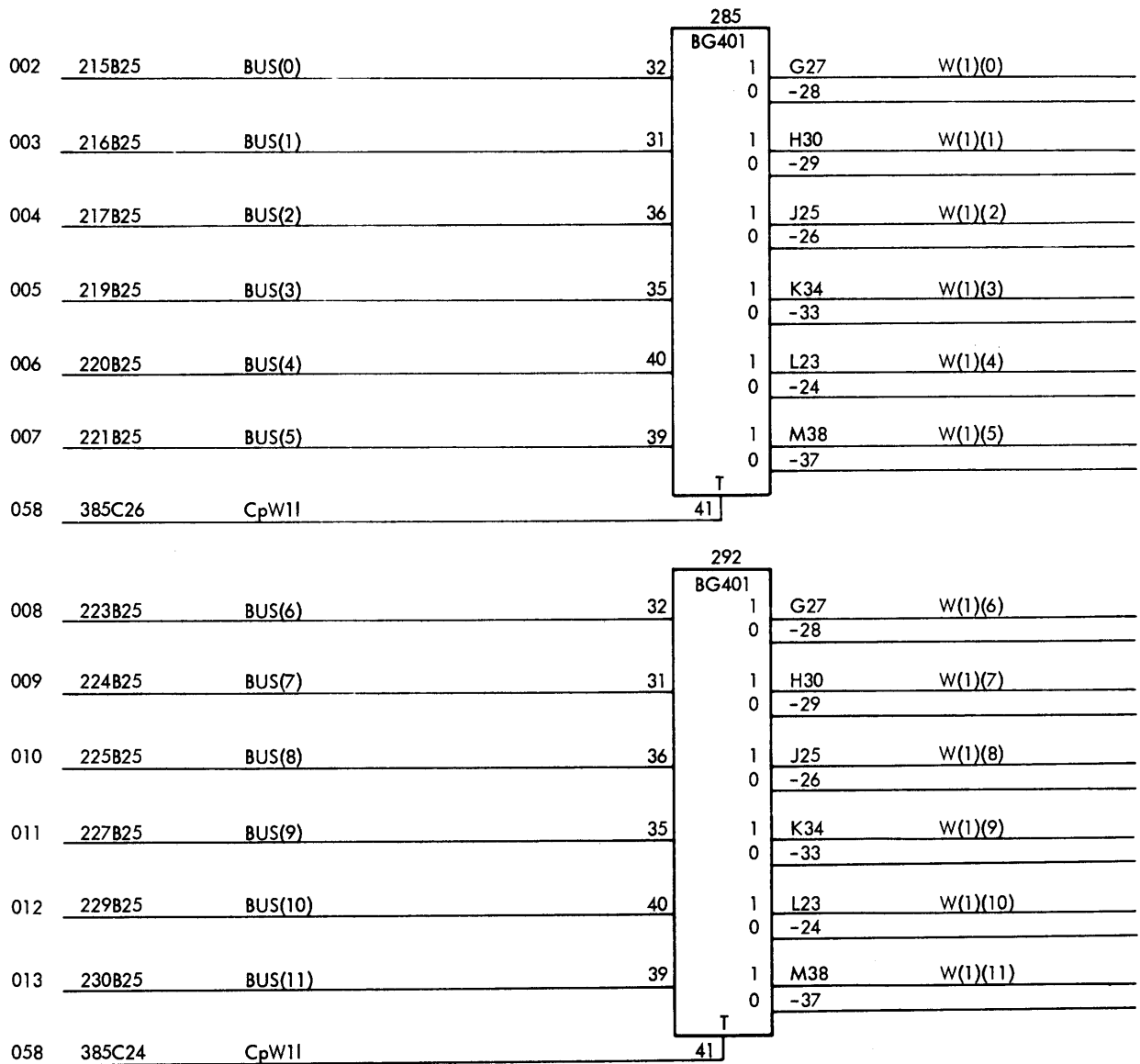


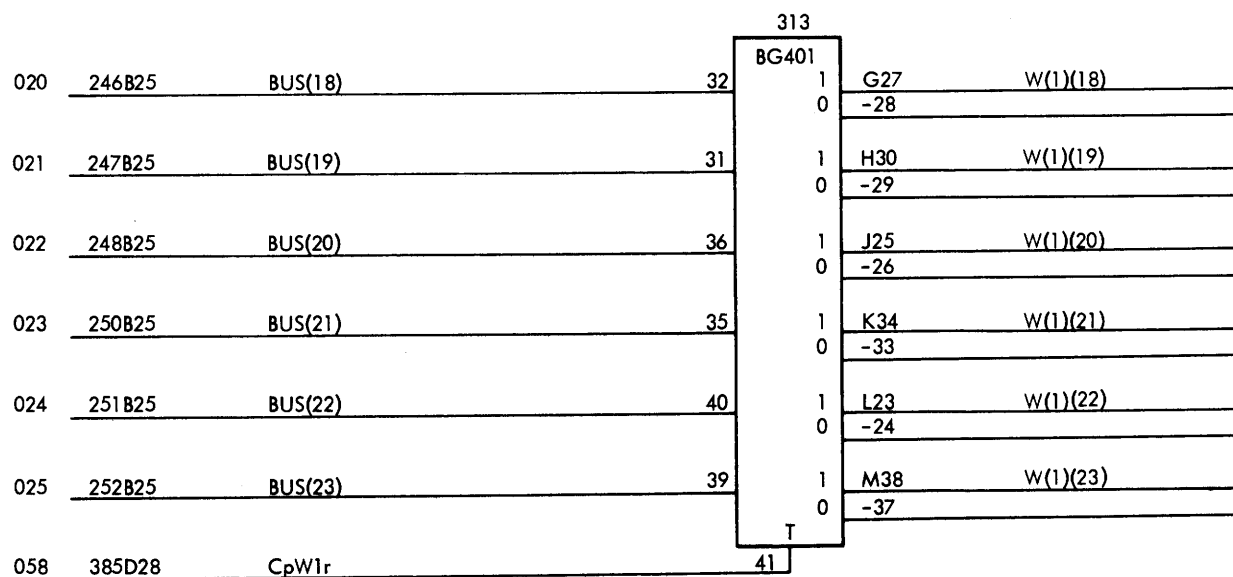
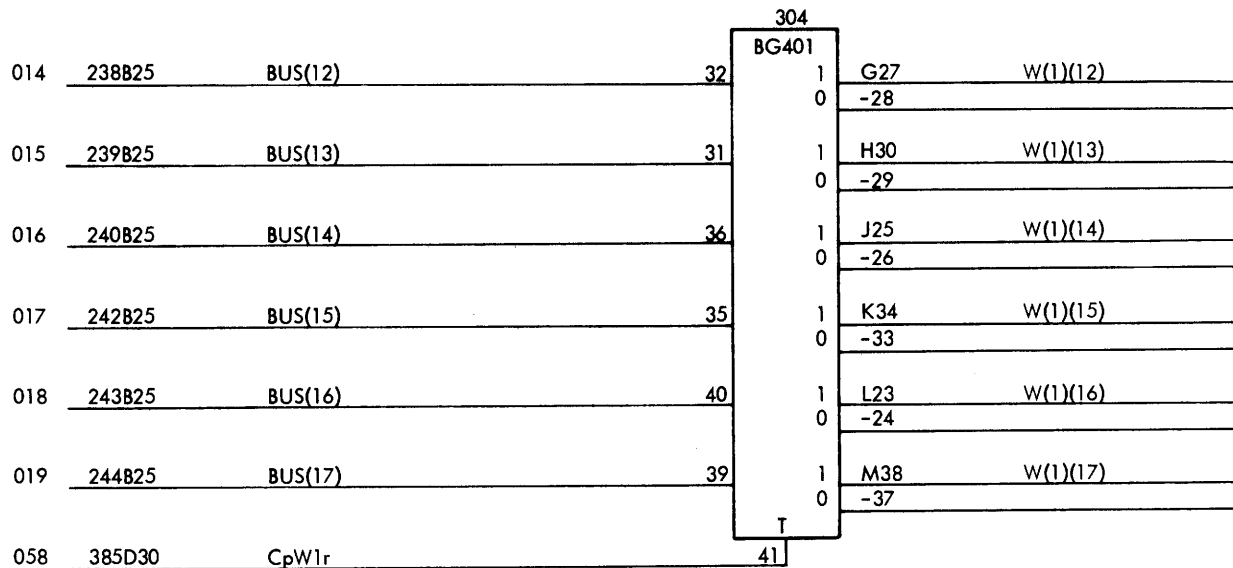


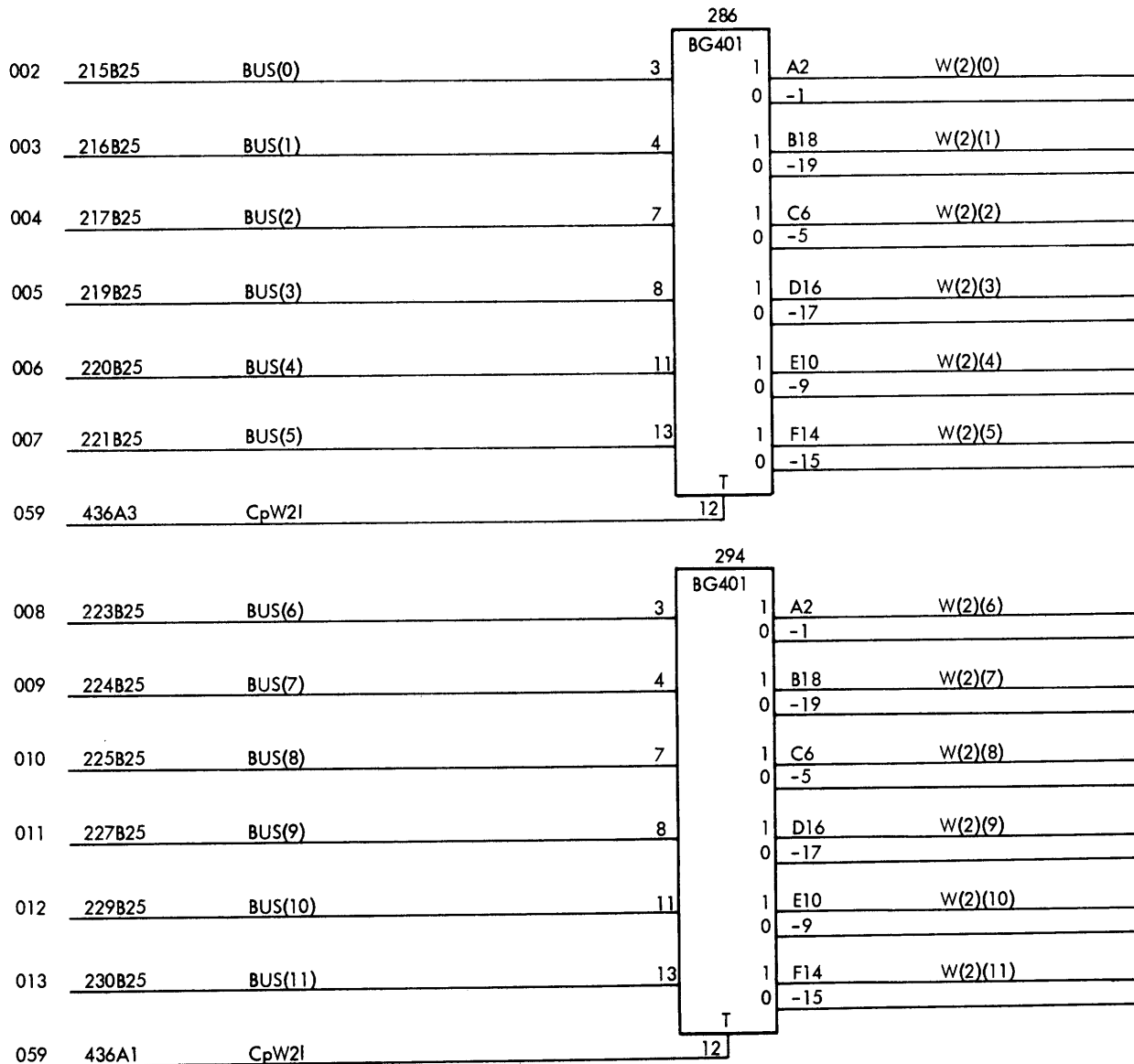


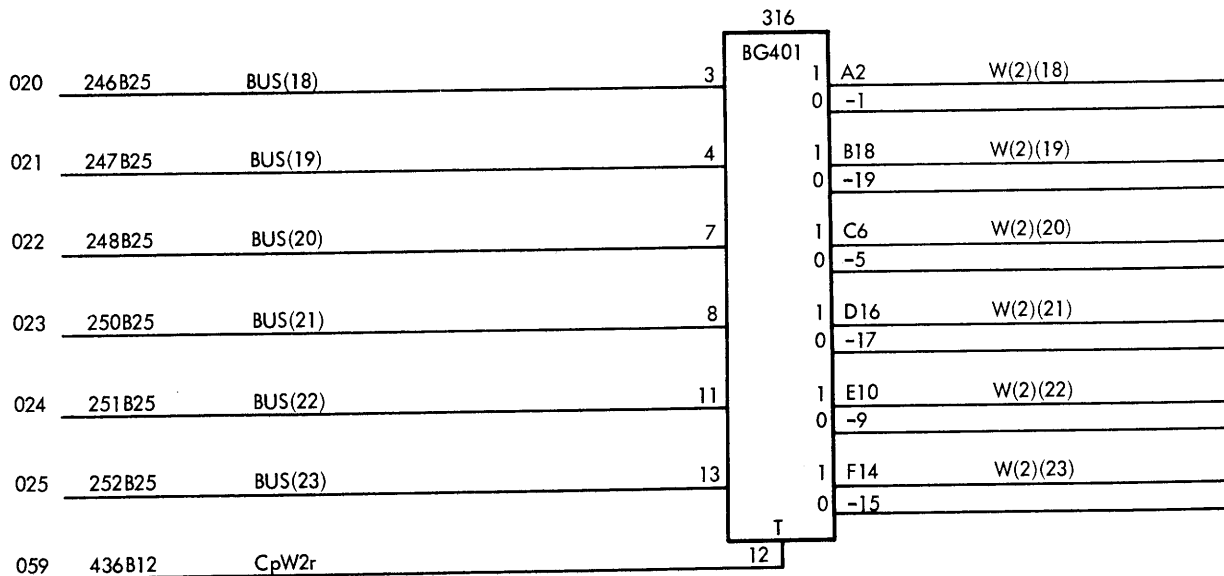
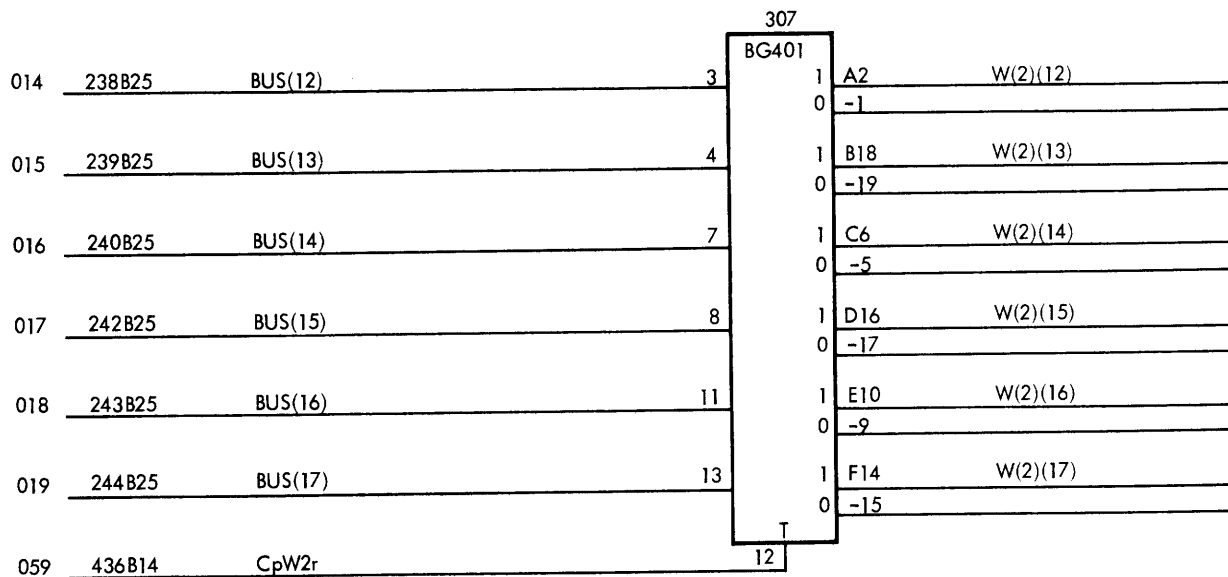


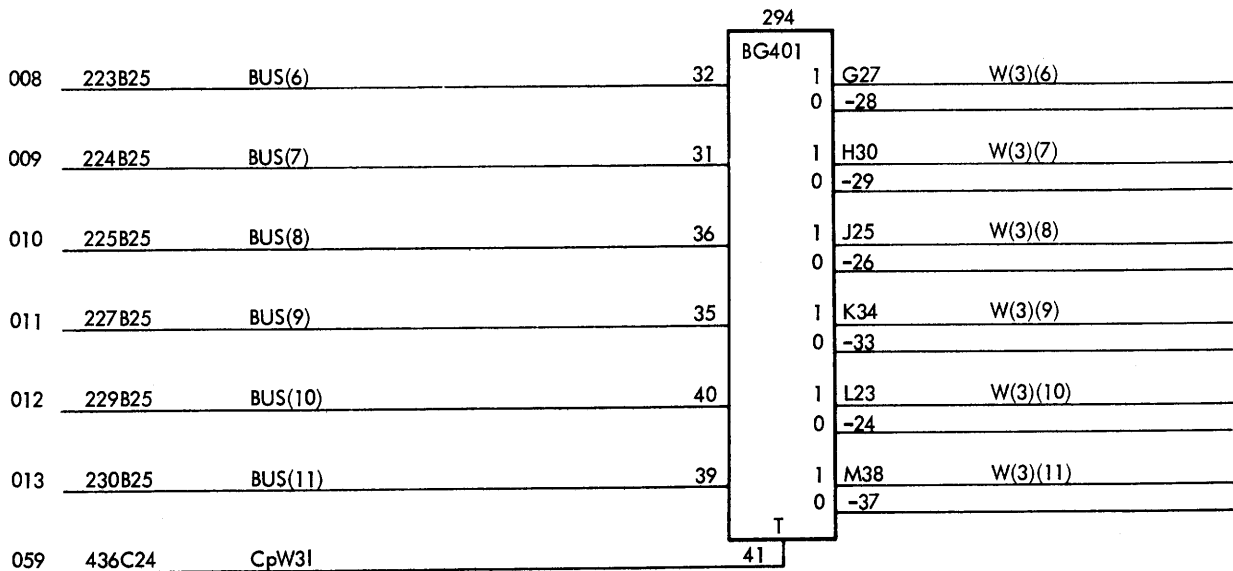
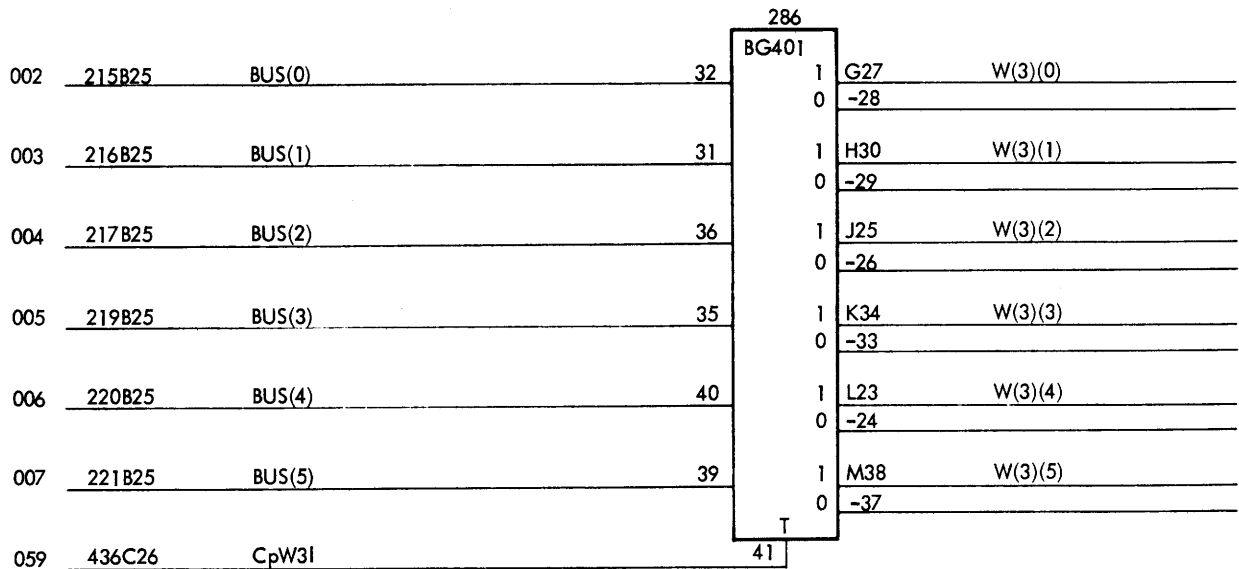


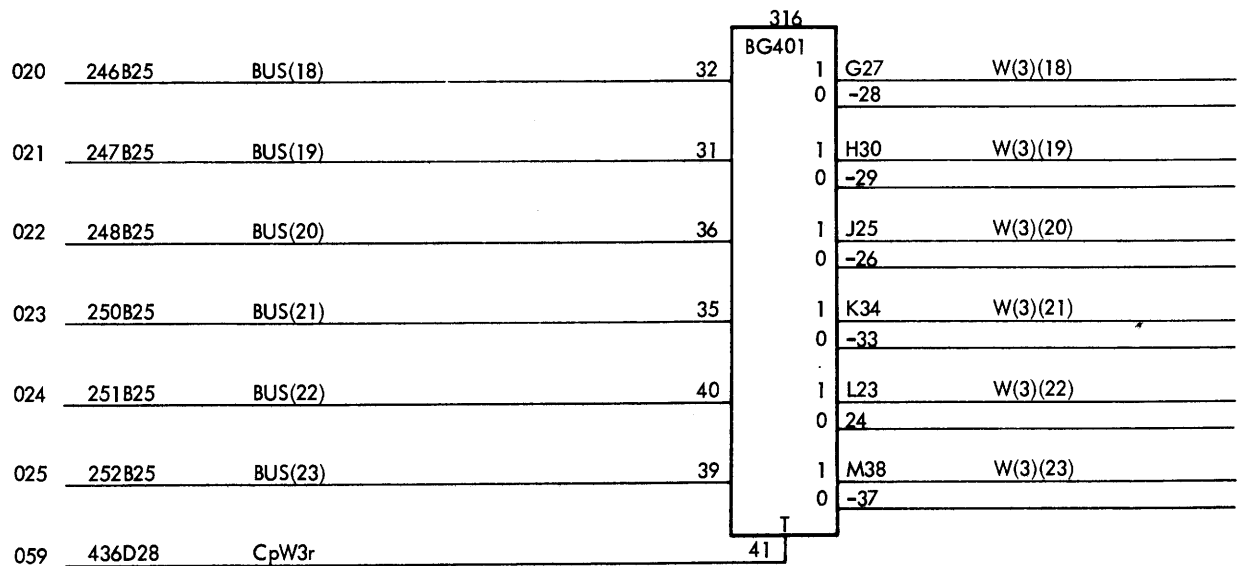
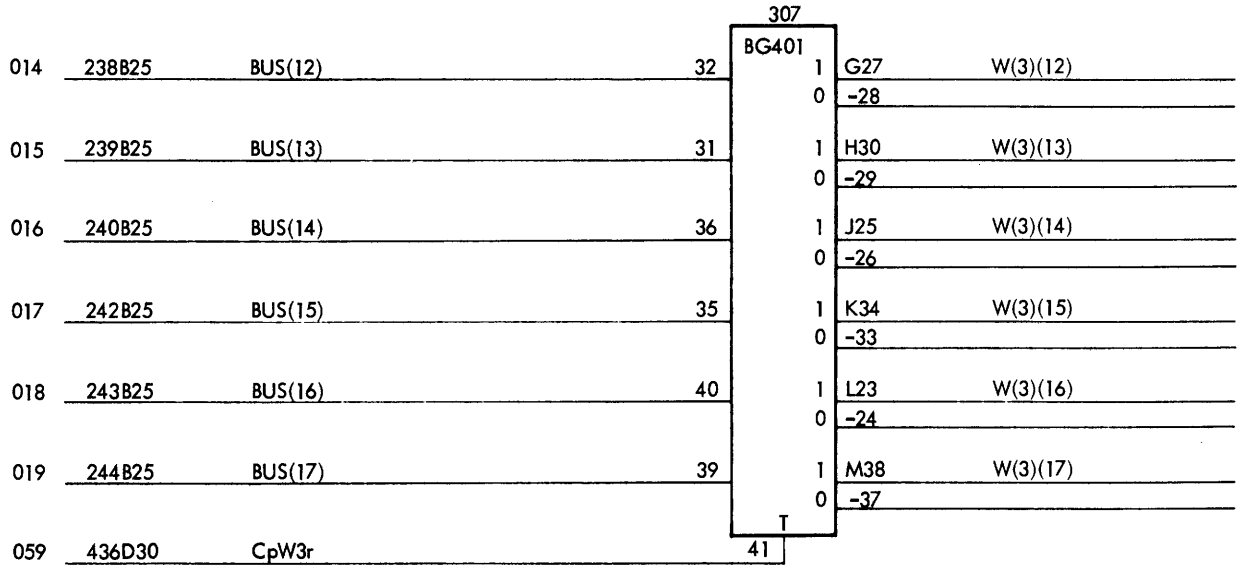


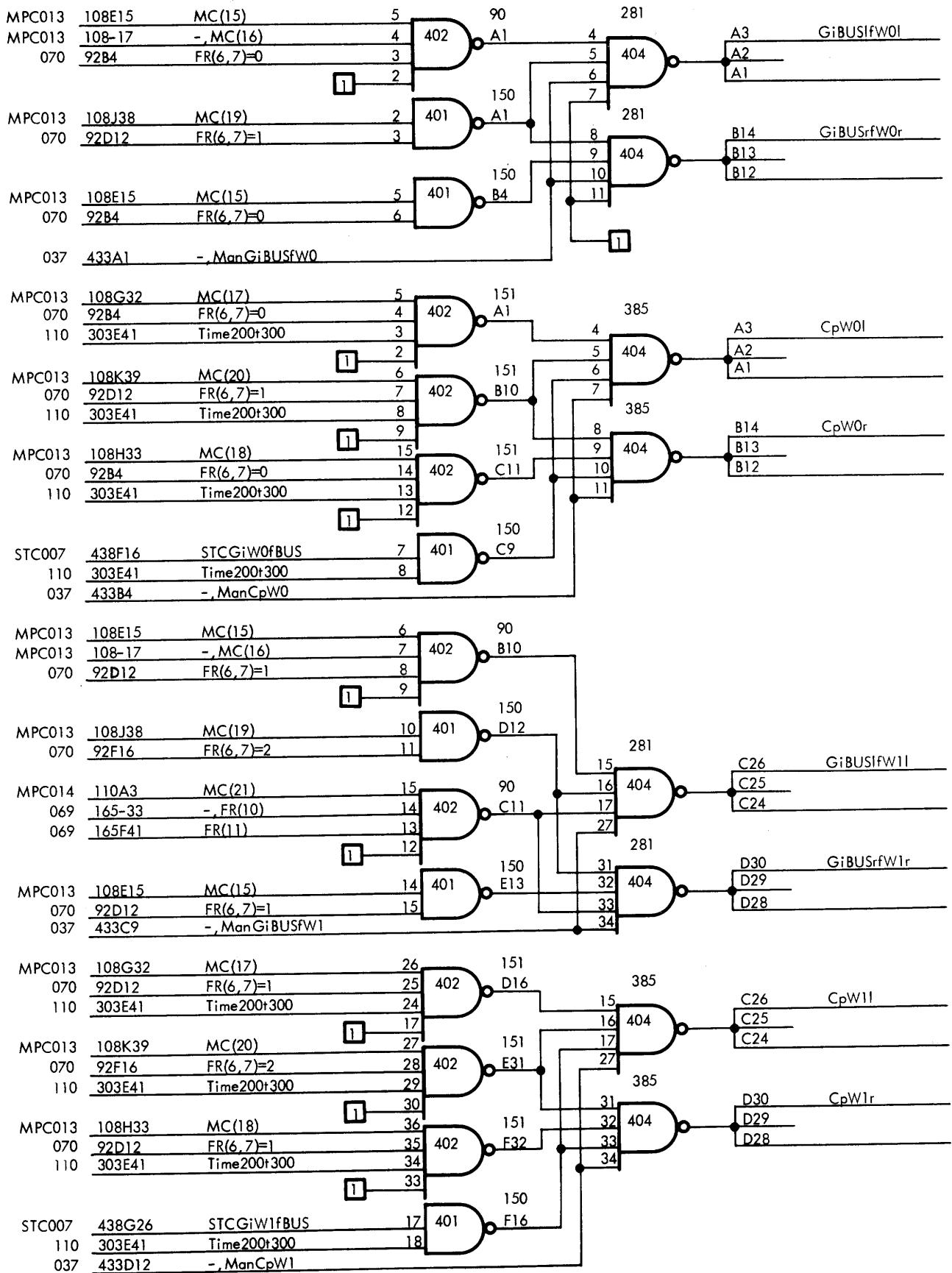


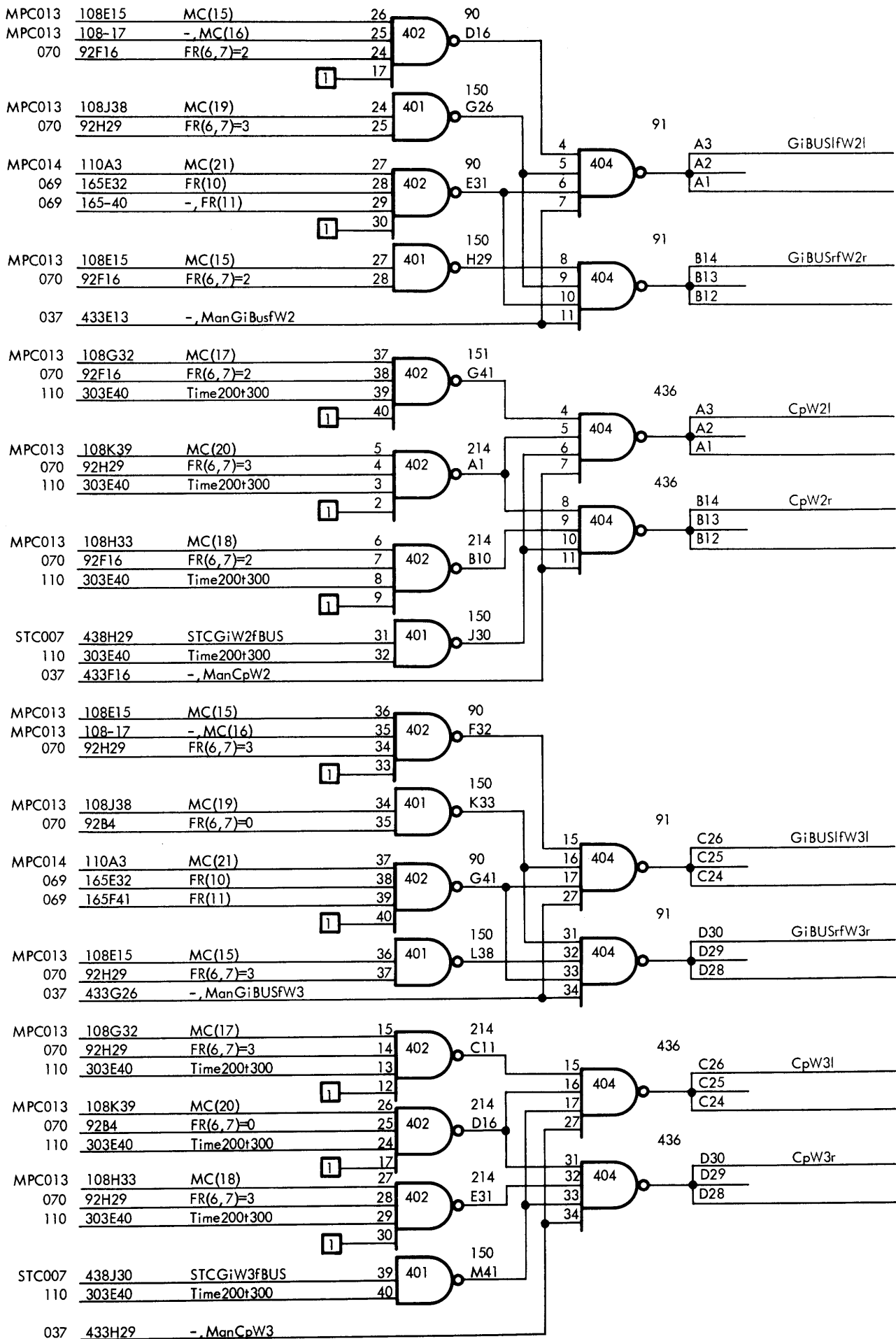


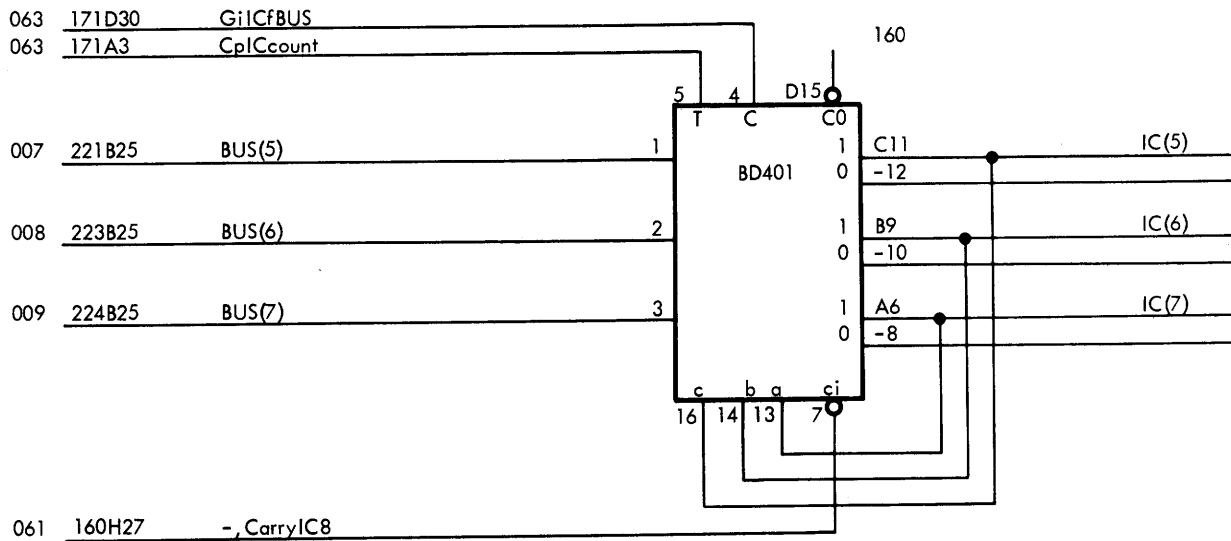
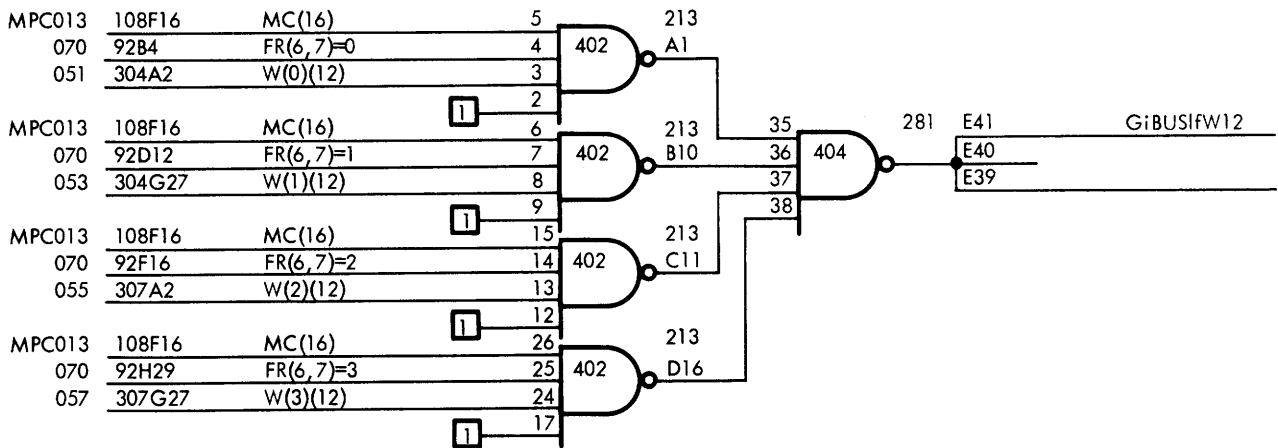


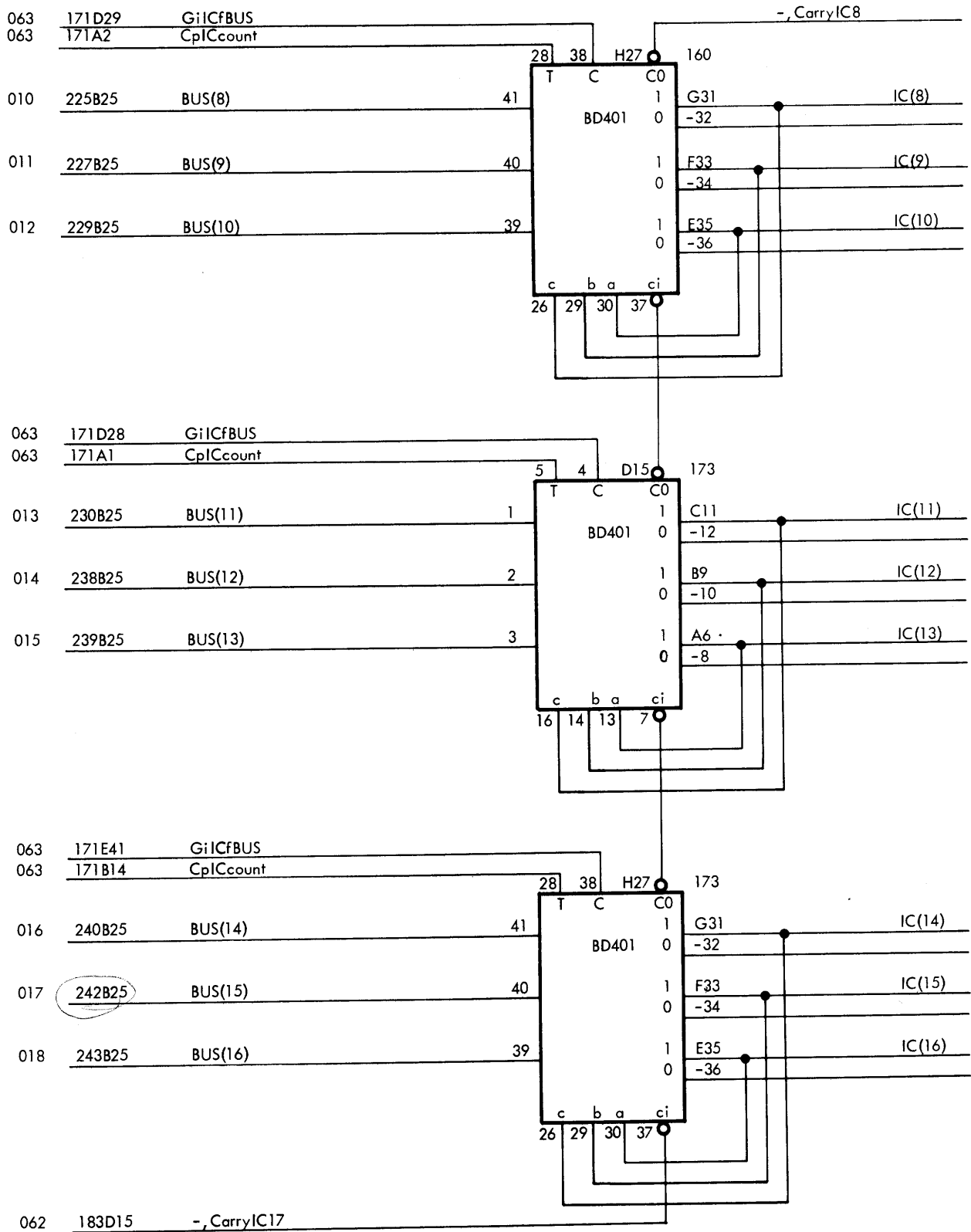


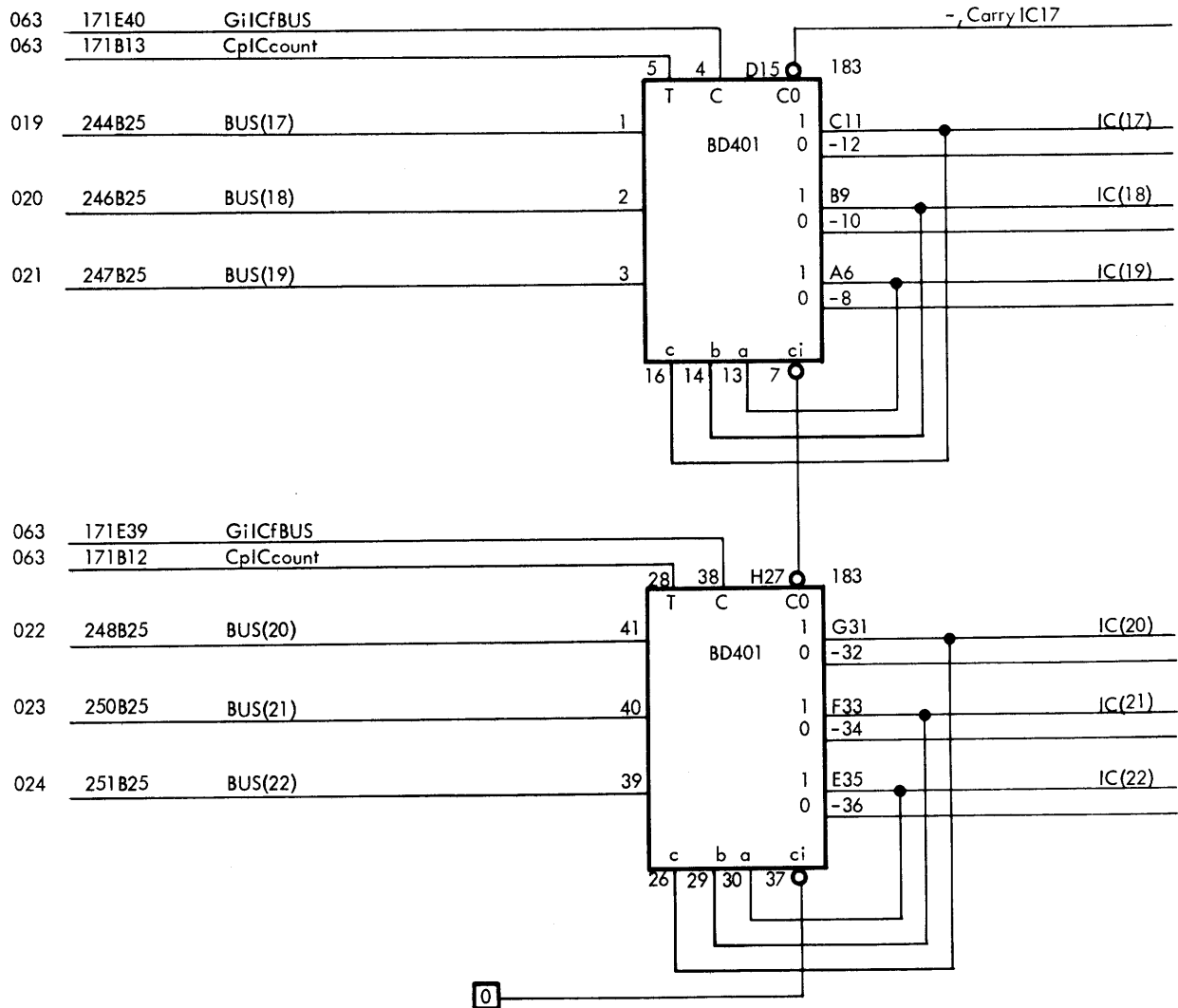


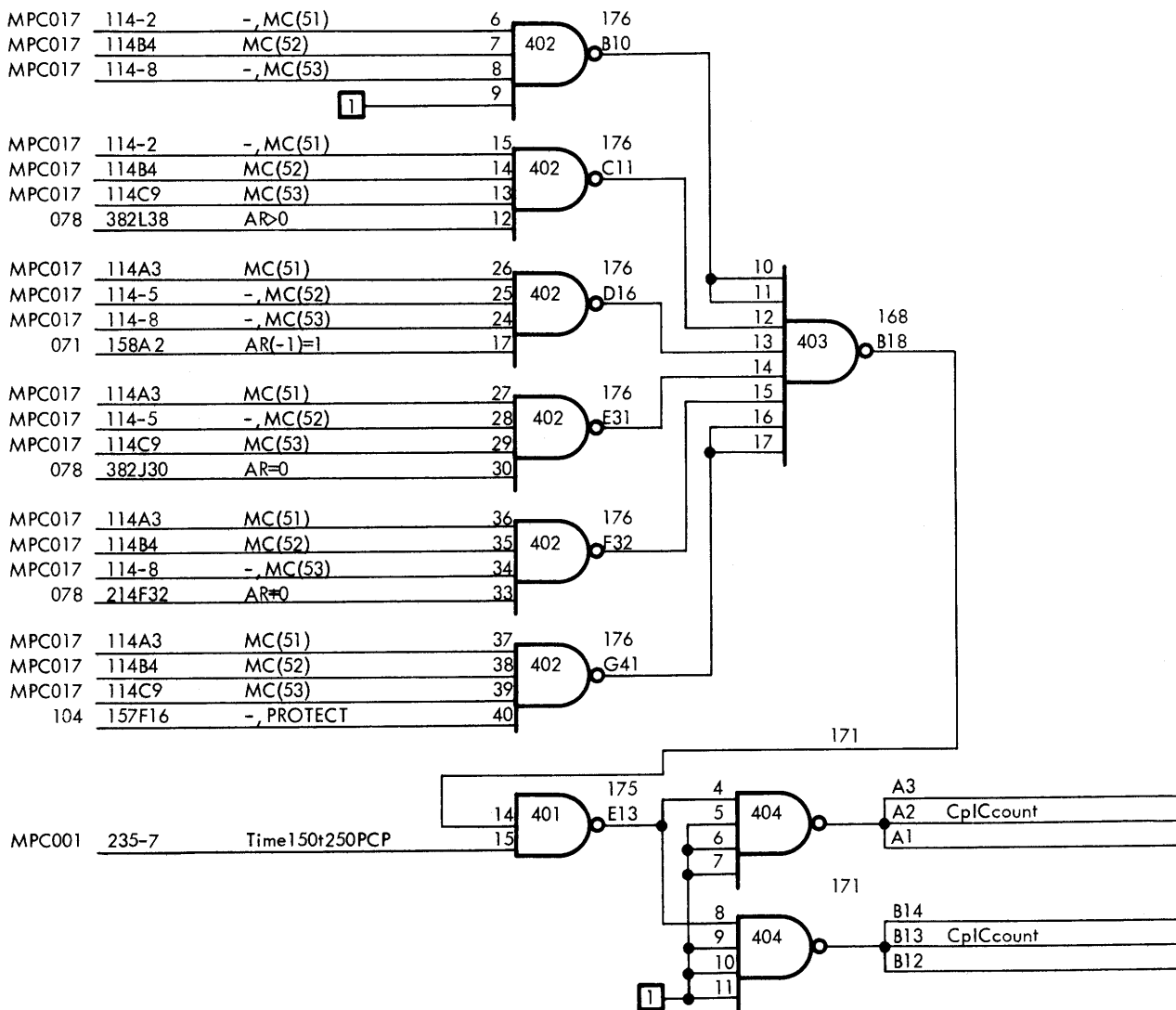
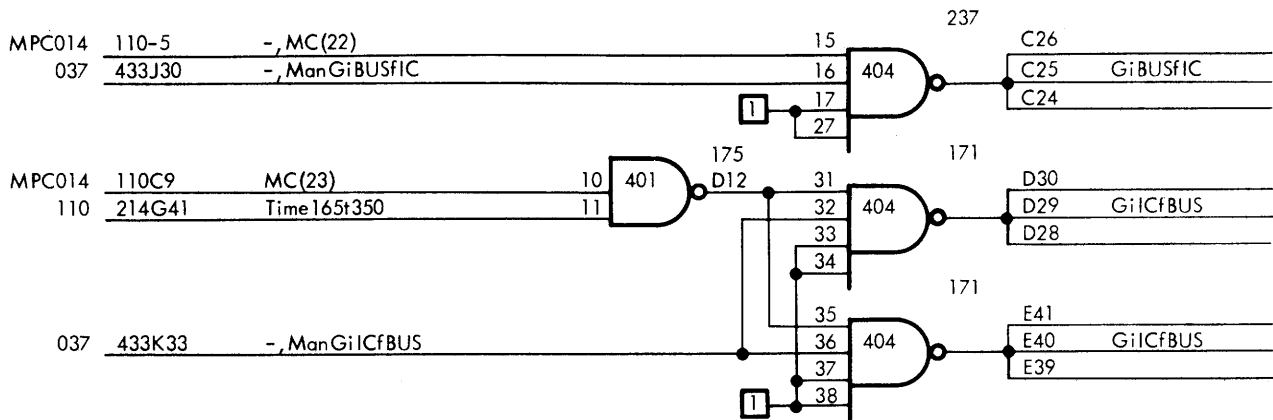


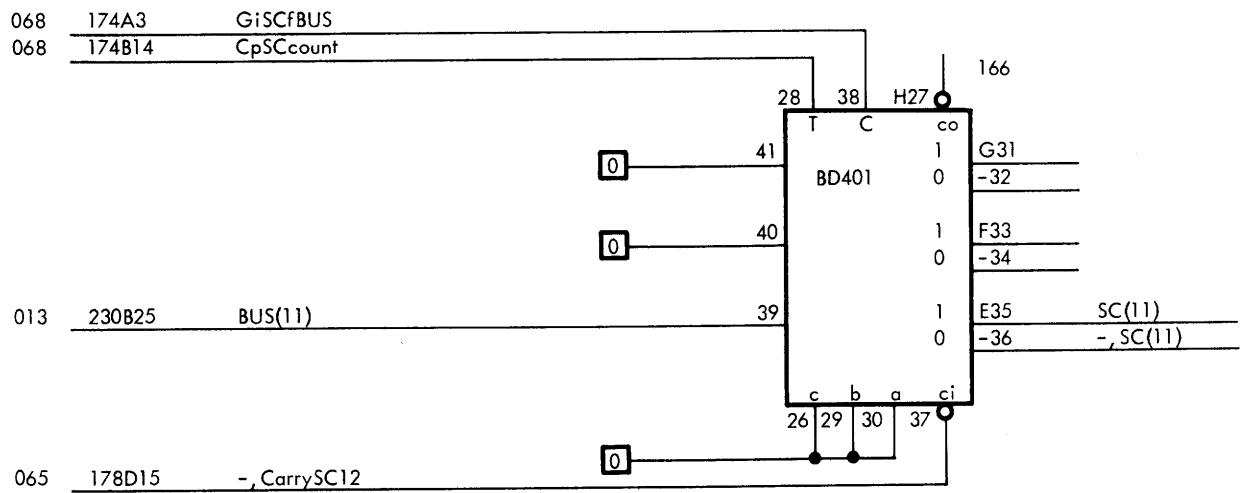


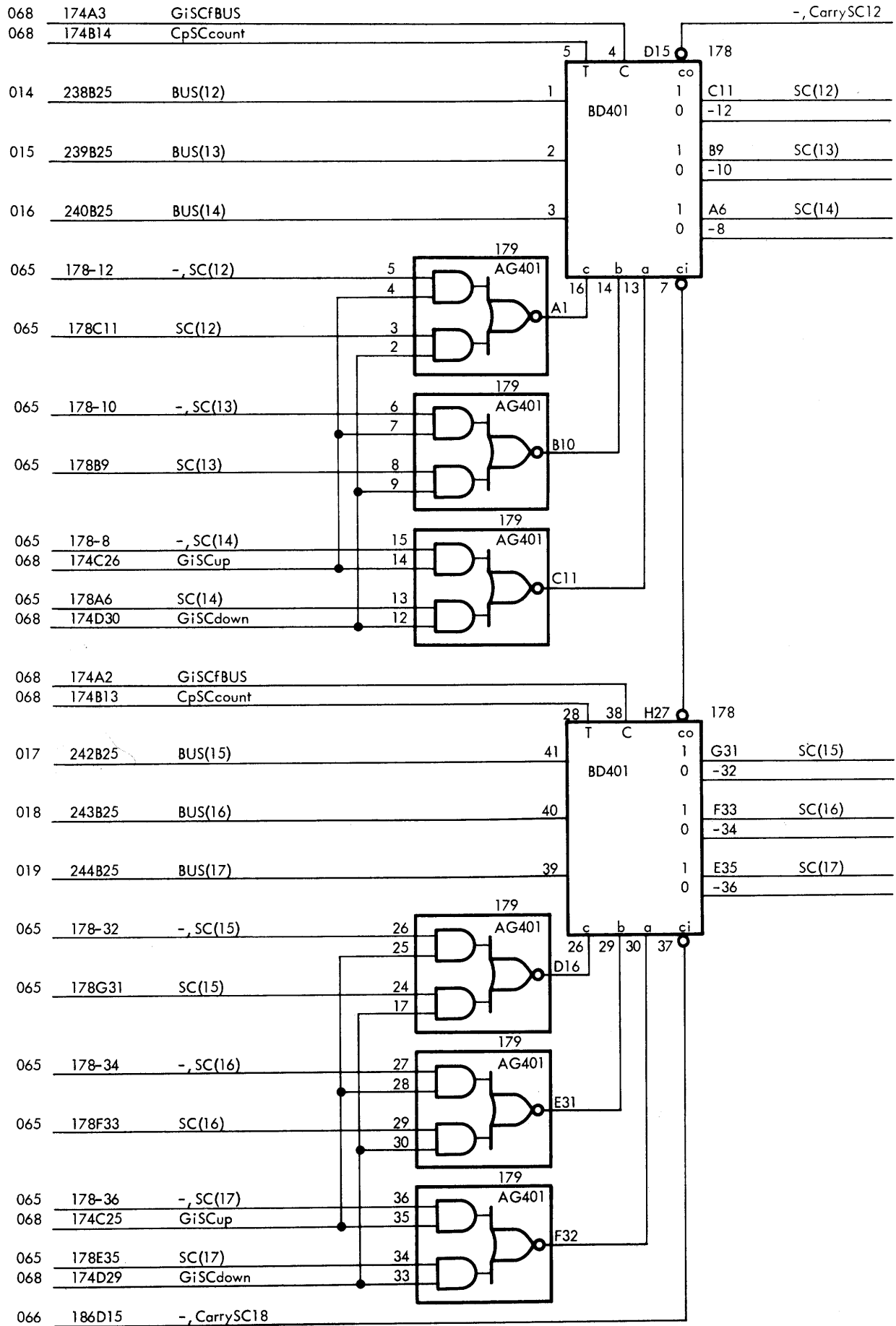


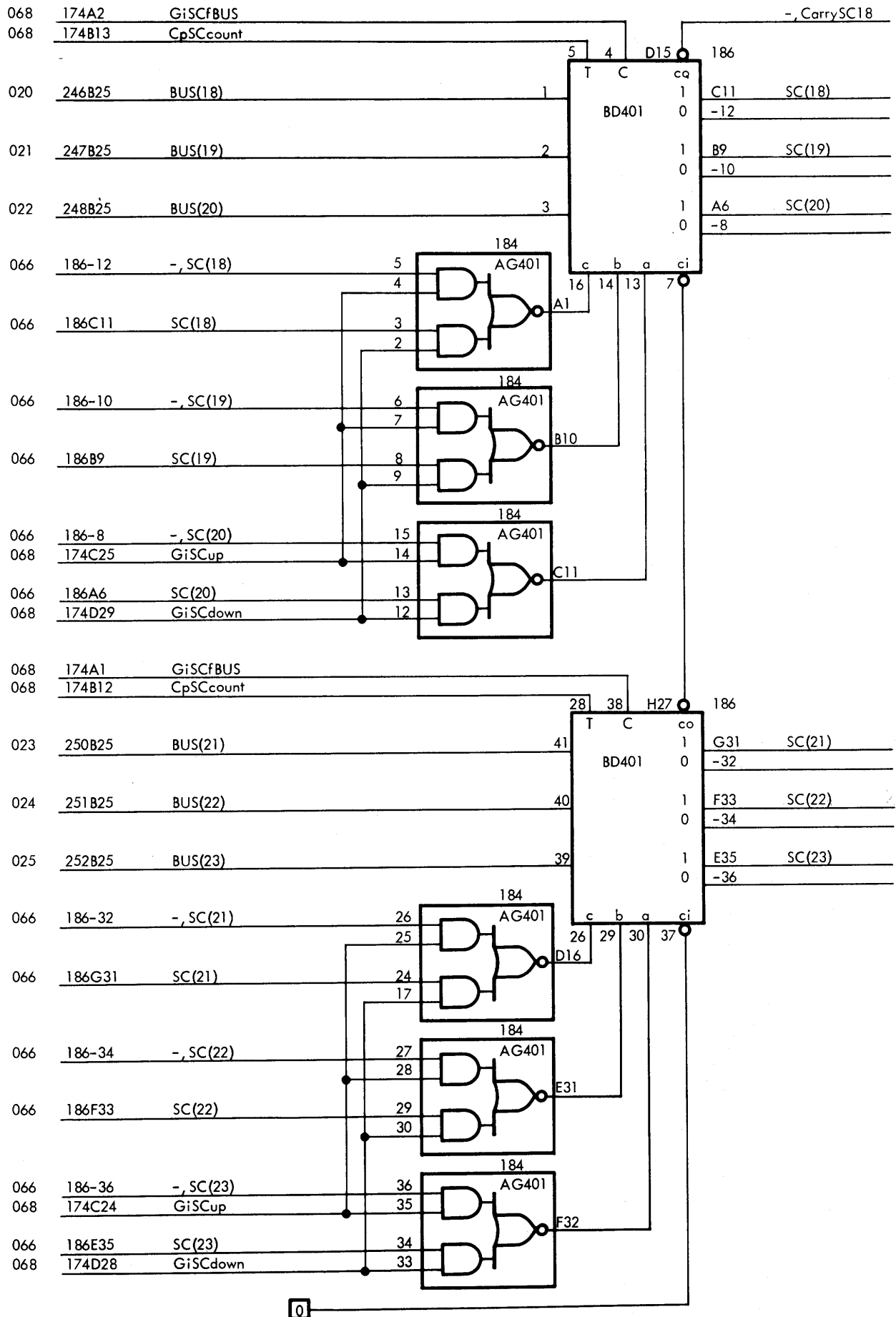


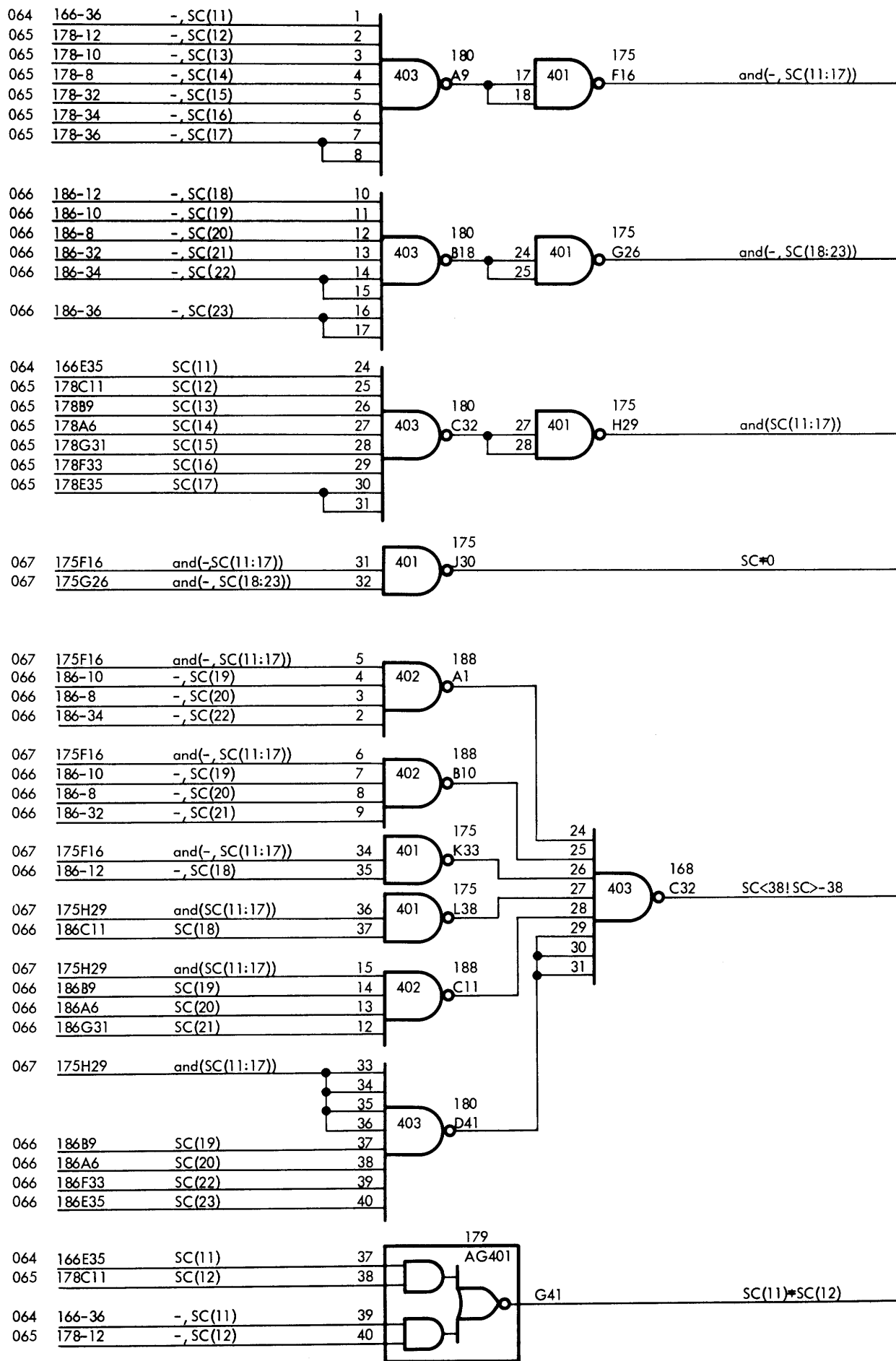


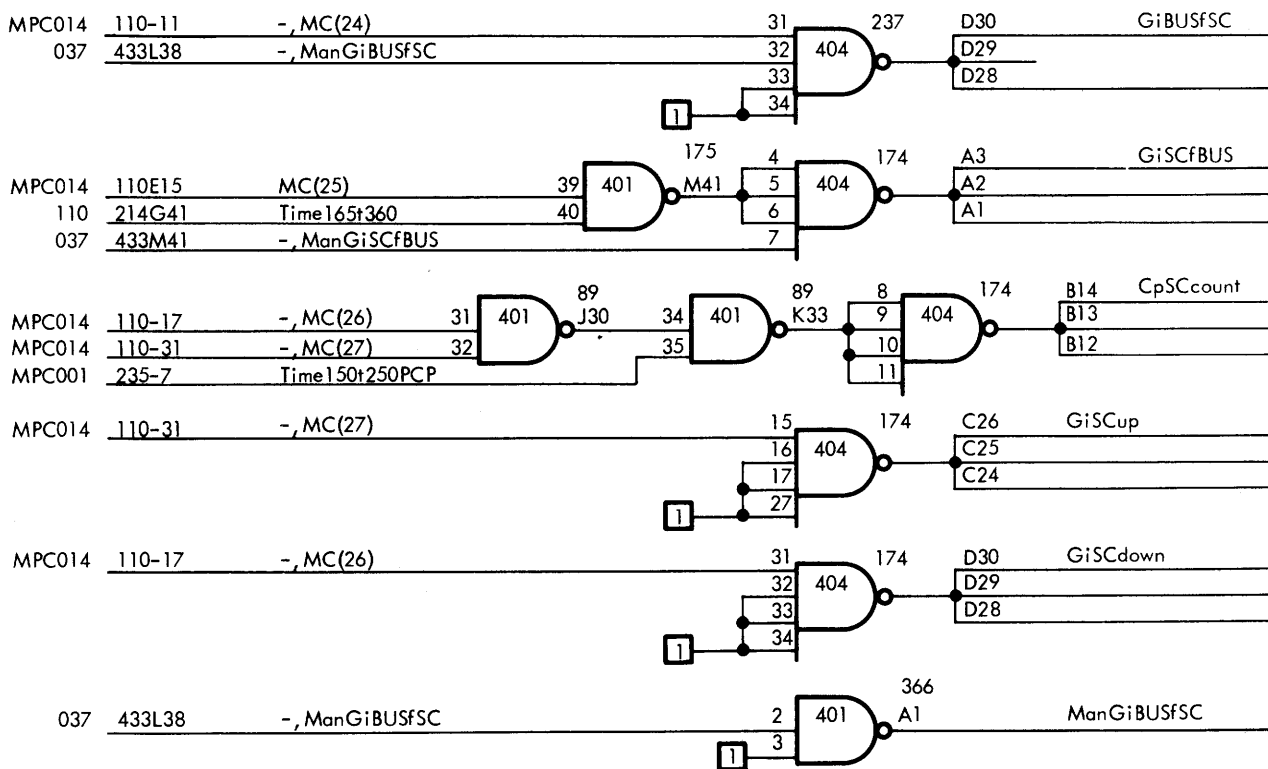


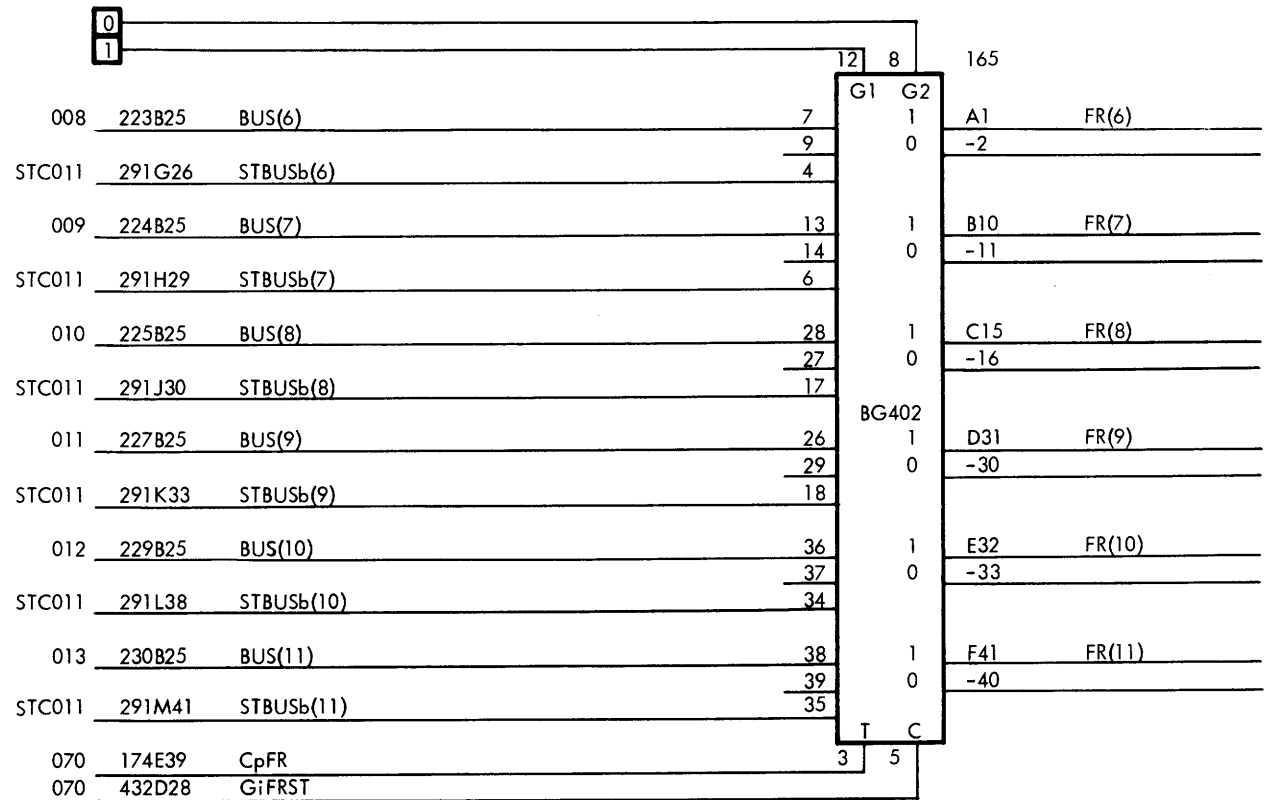
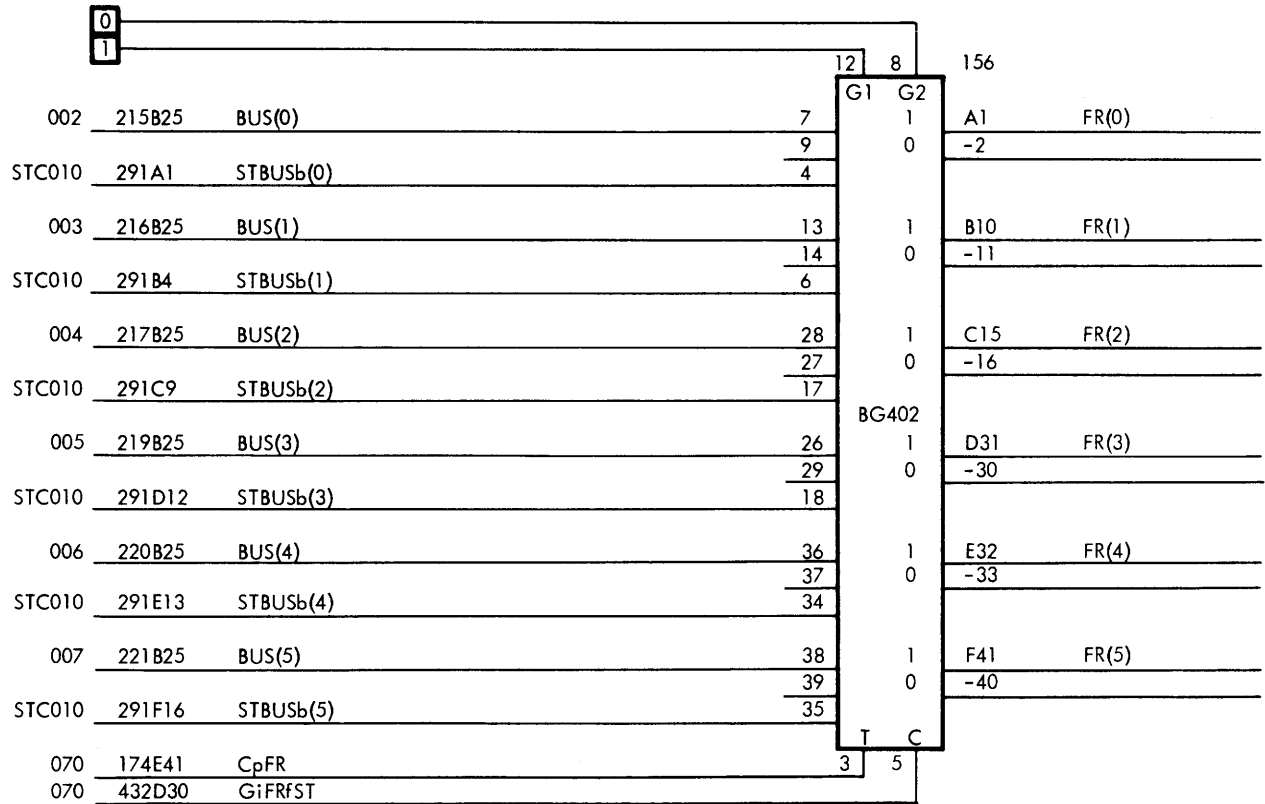


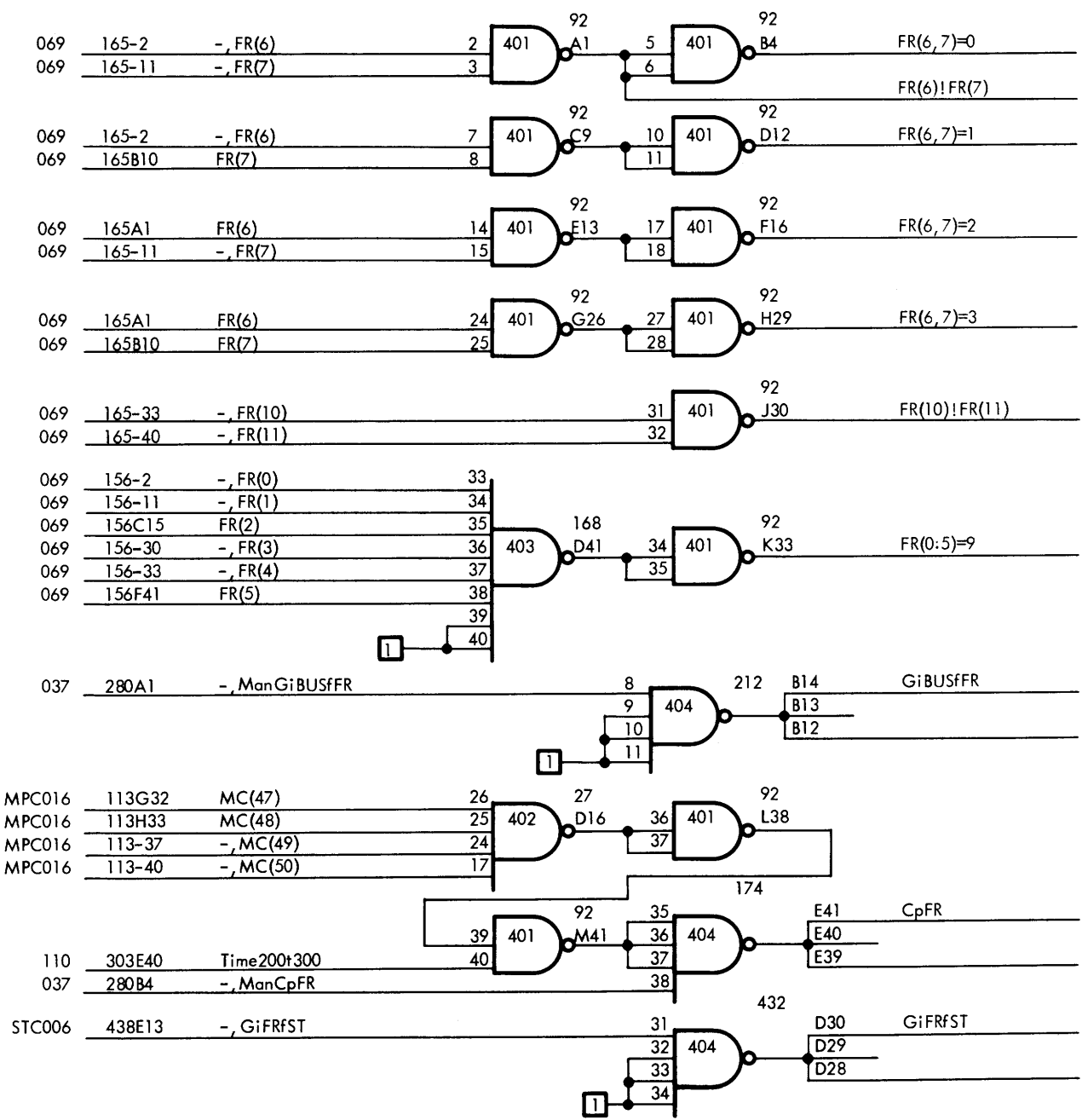


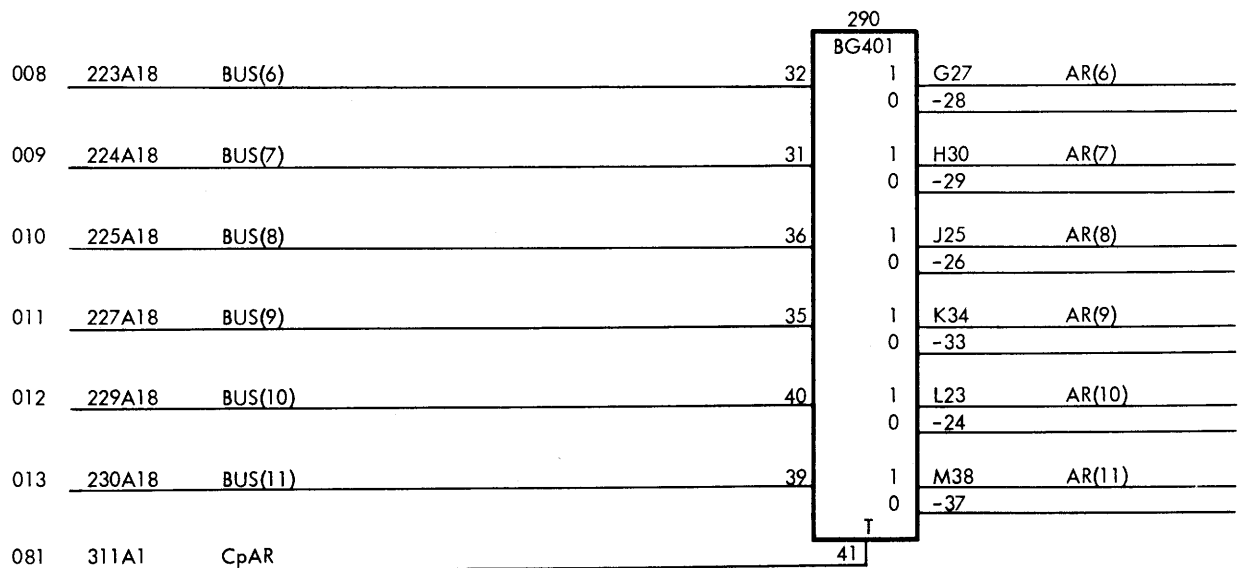
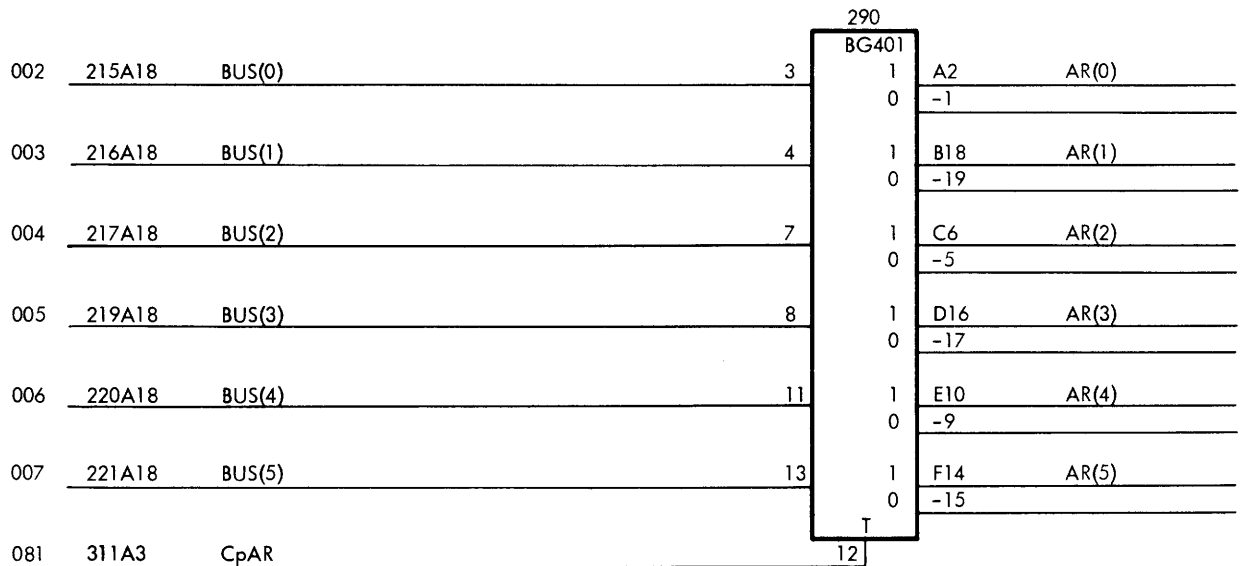
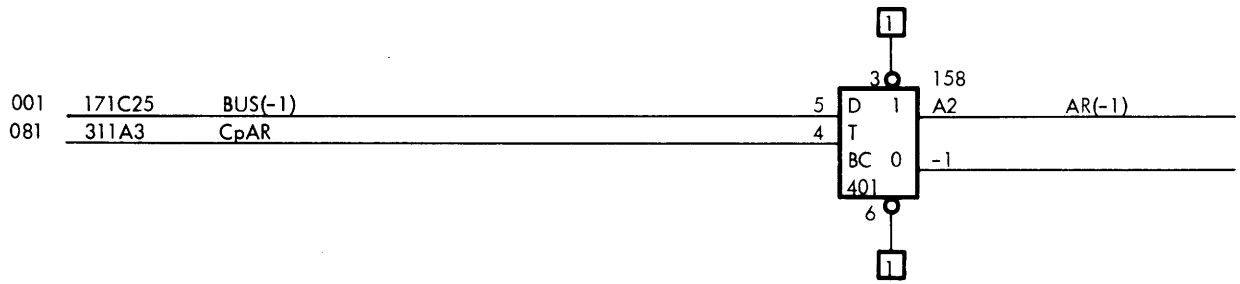


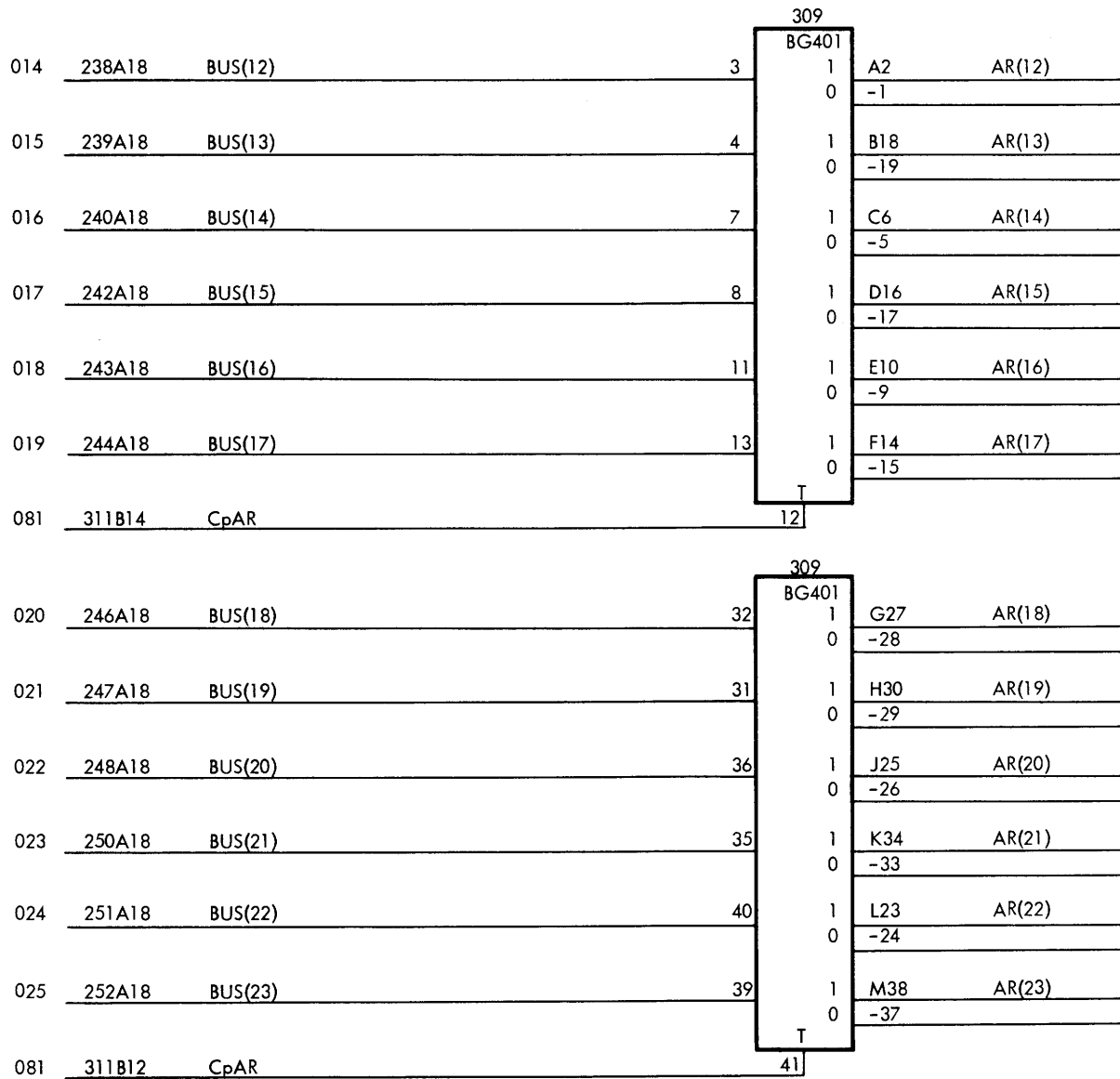


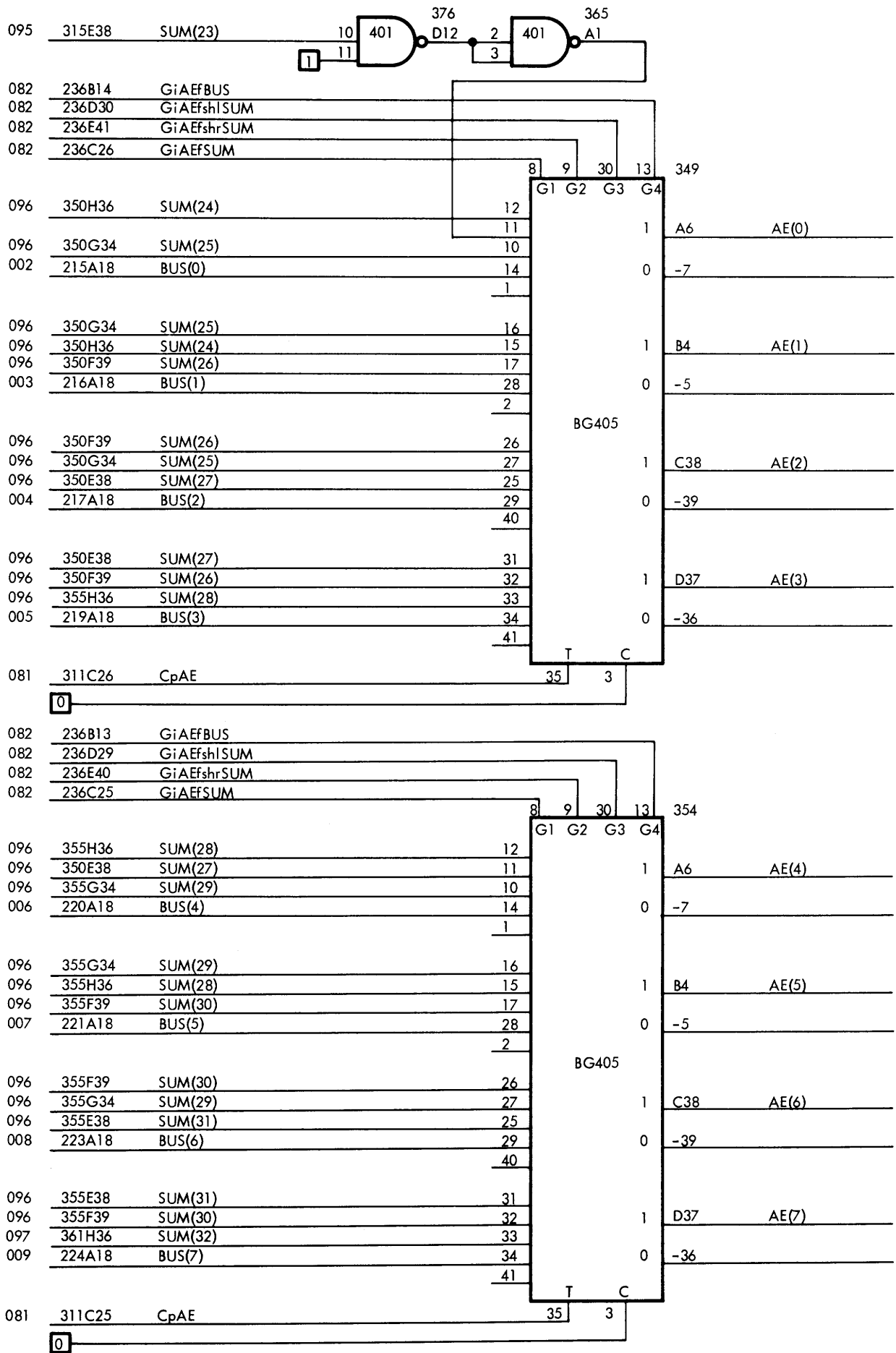












082 236B12 GiAEFBUS
 082 236D28 GiAEfshSUM
 082 236E39 GiAEfshrSUM
 082 236C24 GiAEFSUM

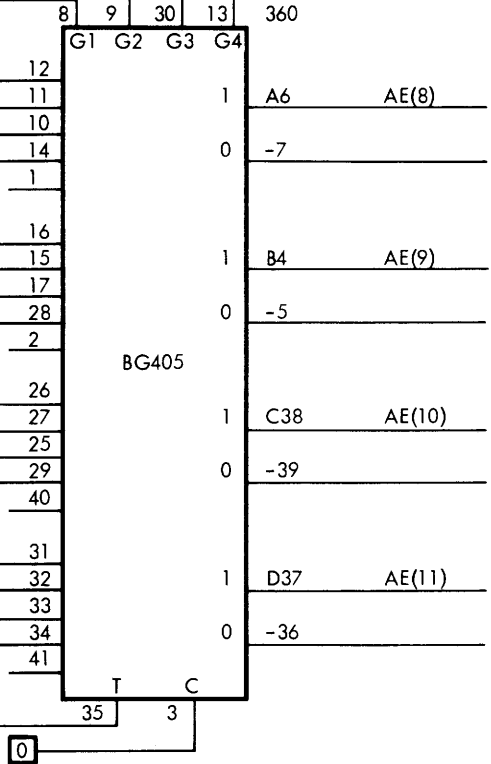
097 361H36 SUM(32) 12
 096 355E38 SUM(31) 11
 097 361G34 SUM(33) 10
 010 225A18 BUS(8) 14

097 361G34 SUM(33) 16
 097 361H36 SUM(32) 15
 097 361F39 SUM(34) 17
 011 227A18 BUS(9) 28

097 361F39 SUM(34) 26
 097 361G34 SUM(33) 27
 097 361E38 SUM(35) 25
 012 229A18 BUS(10) 29

097 361E38 SUM(35) 31
 097 361F39 SUM(34) 32
 097 368H36 SUM(36) 33
 013 230A18 BUS(11) 34

081 311C24 CpAE



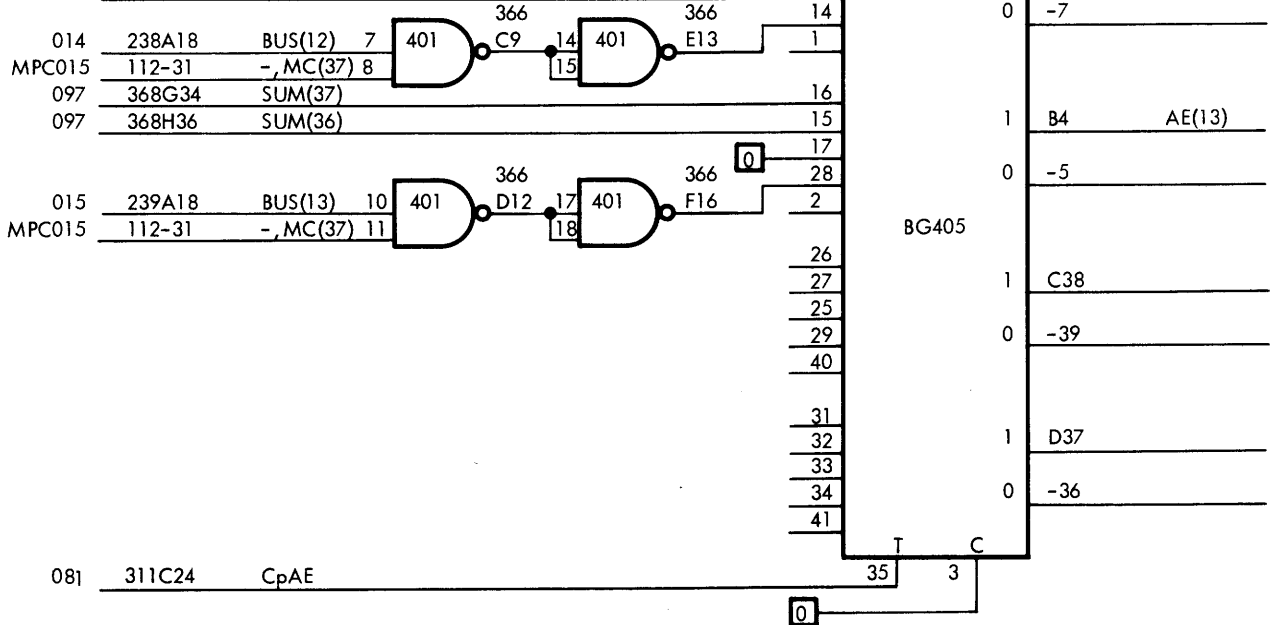
082 236B12 GiAEFBUS
 082 236D28 GiAEfshSUM
 082 236E39 GiAEfshrSUM
 082 232H29 GiAE12and13FSUM

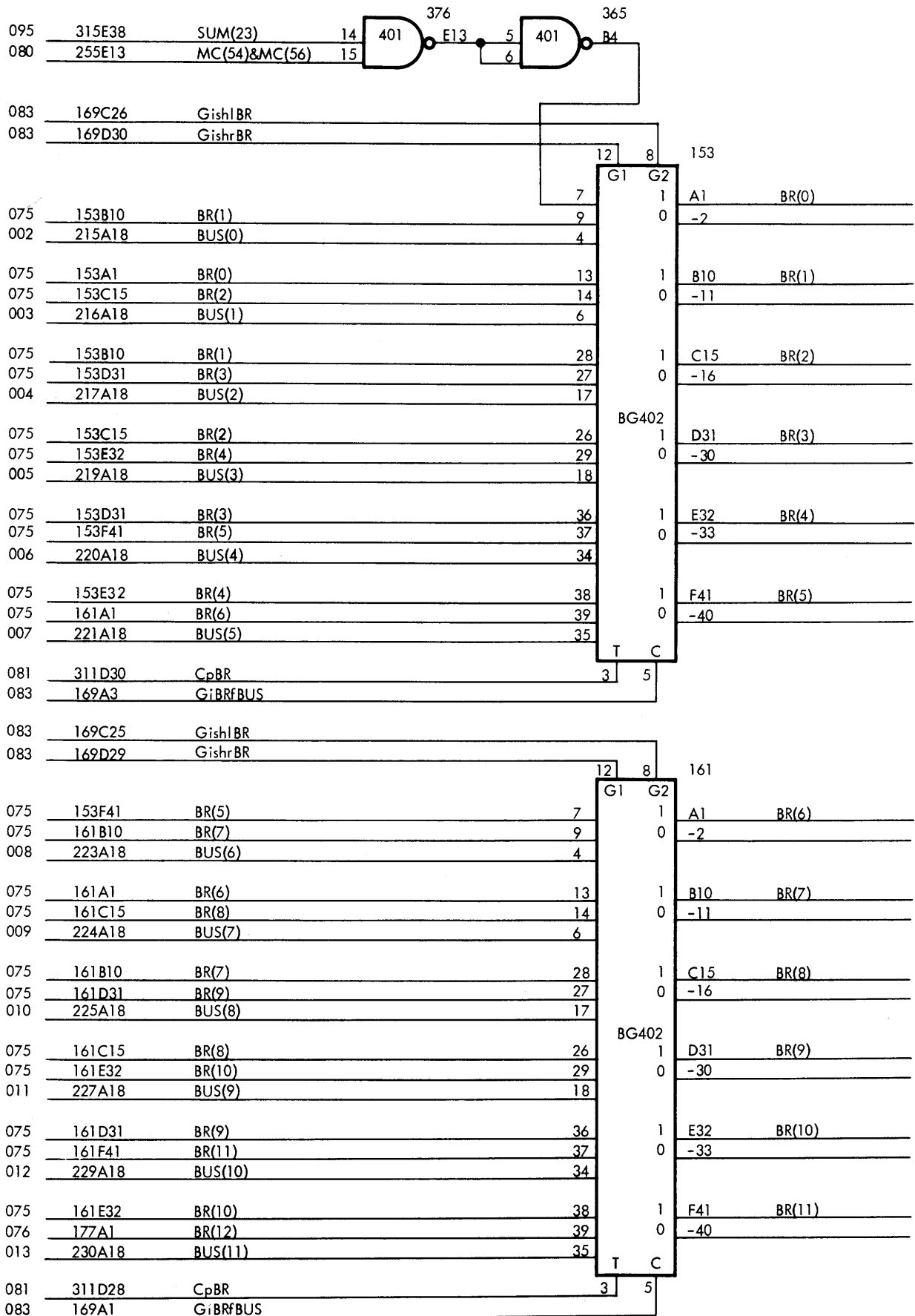
097 368H36 SUM(36) 12
 097 361E38 SUM(35) 11
 097 368G34 SUM(37) 10
 014 238A18 BUS(12) 7

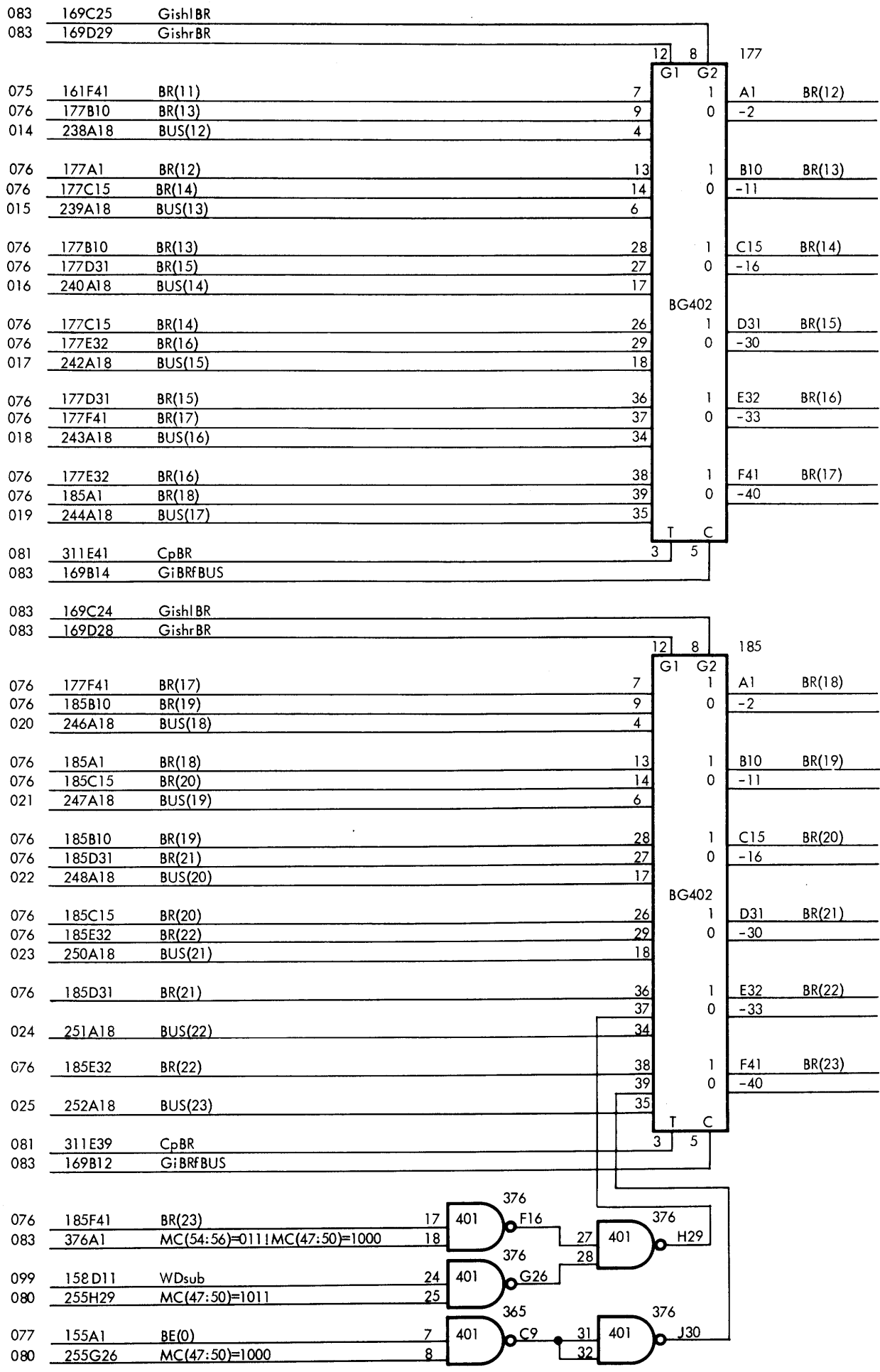
097 368G34 SUM(37) 16
 097 368H36 SUM(36) 15

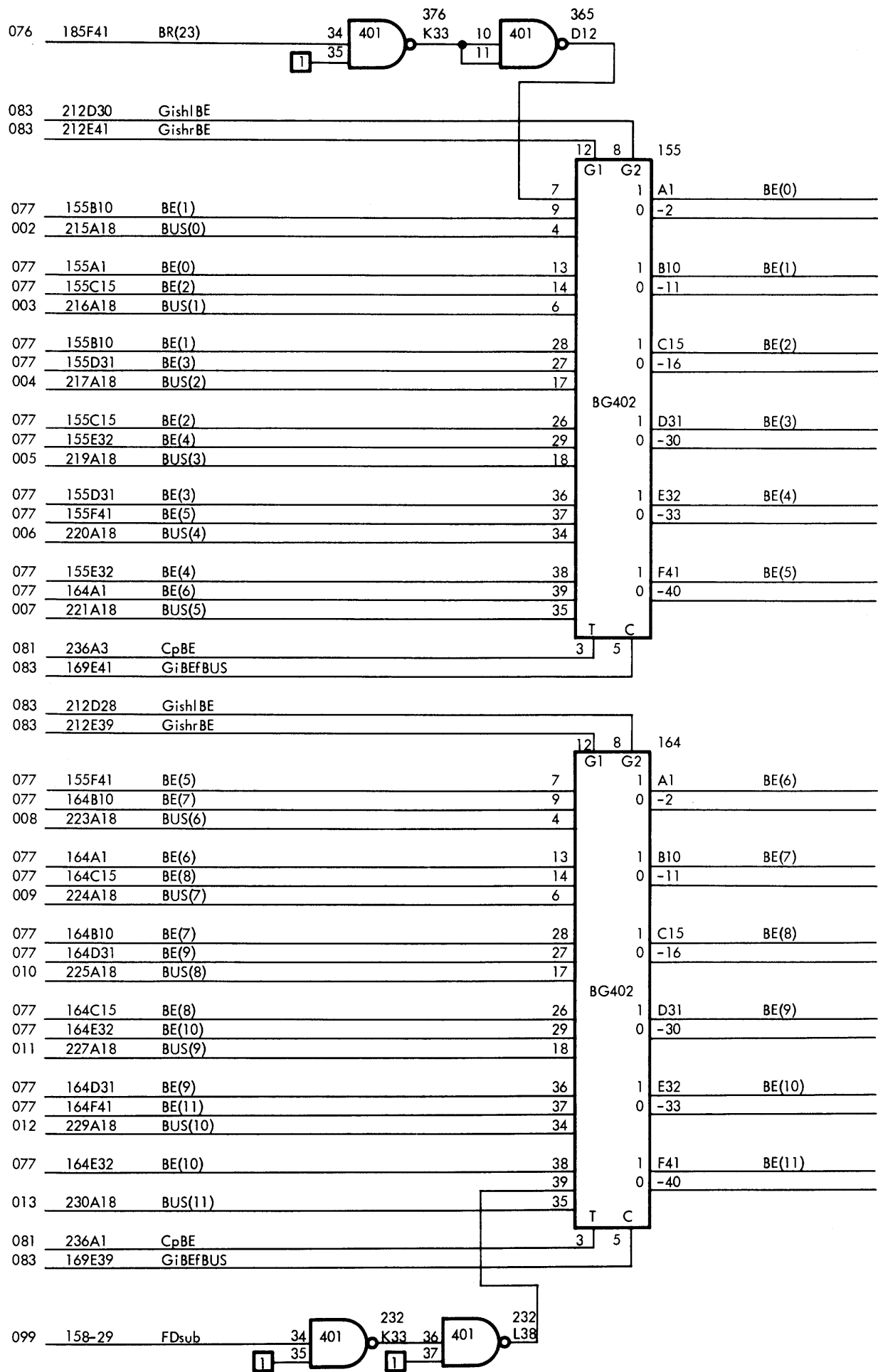
015 239A18 BUS(13) 10
 MPC015 112-31 -,MC(37) 11

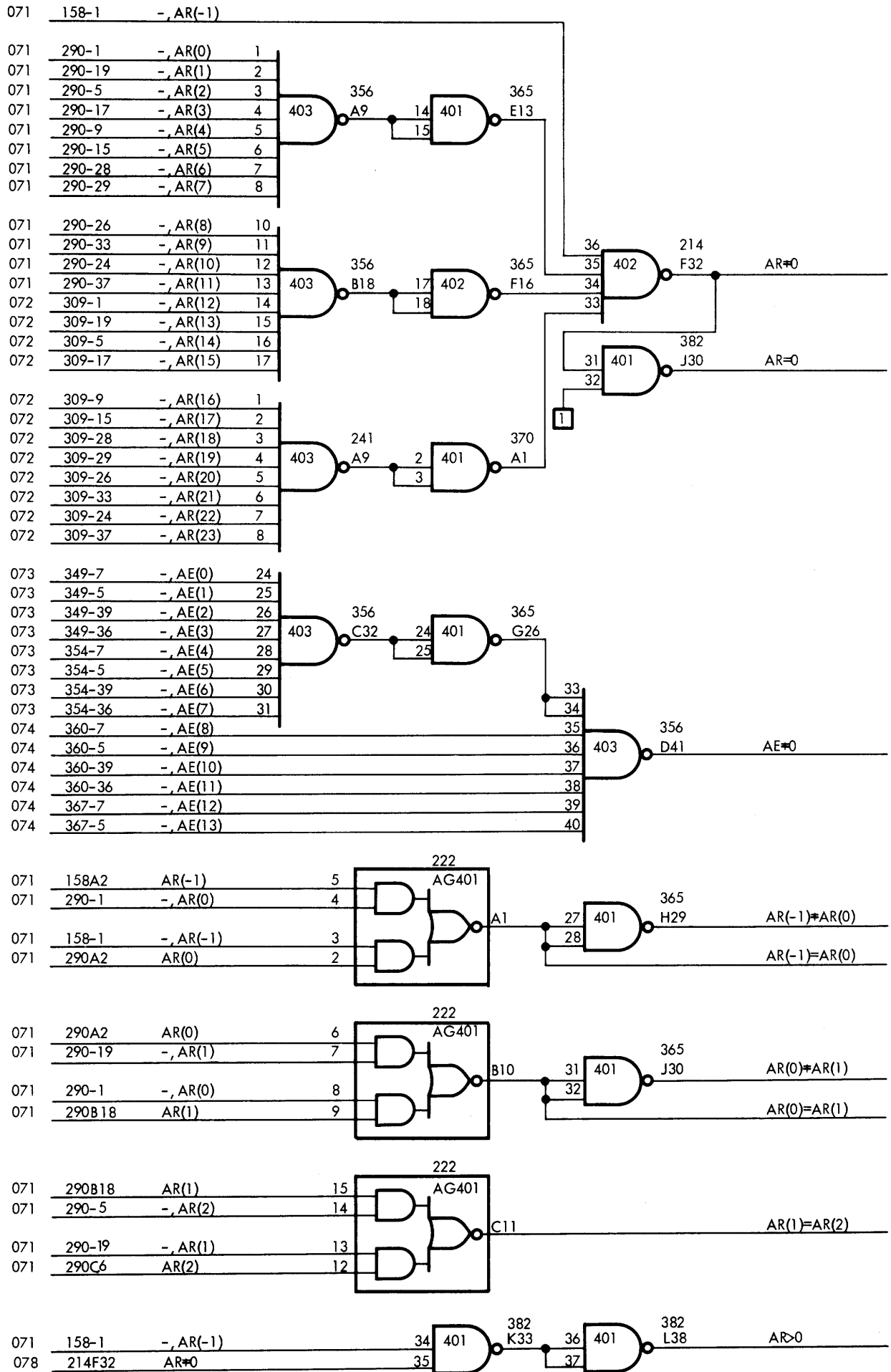
081 311C24 CpAE

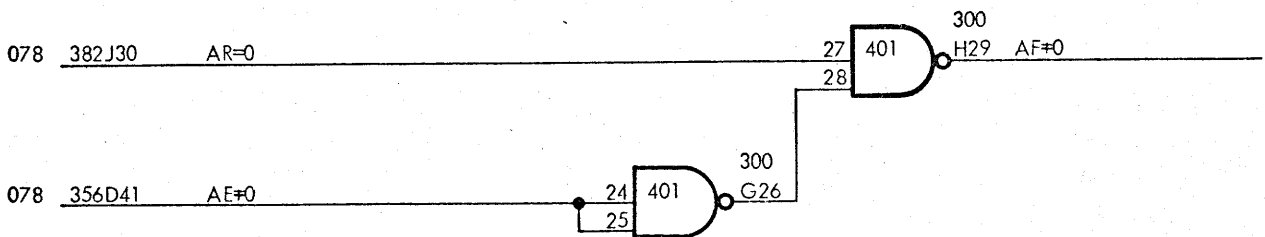
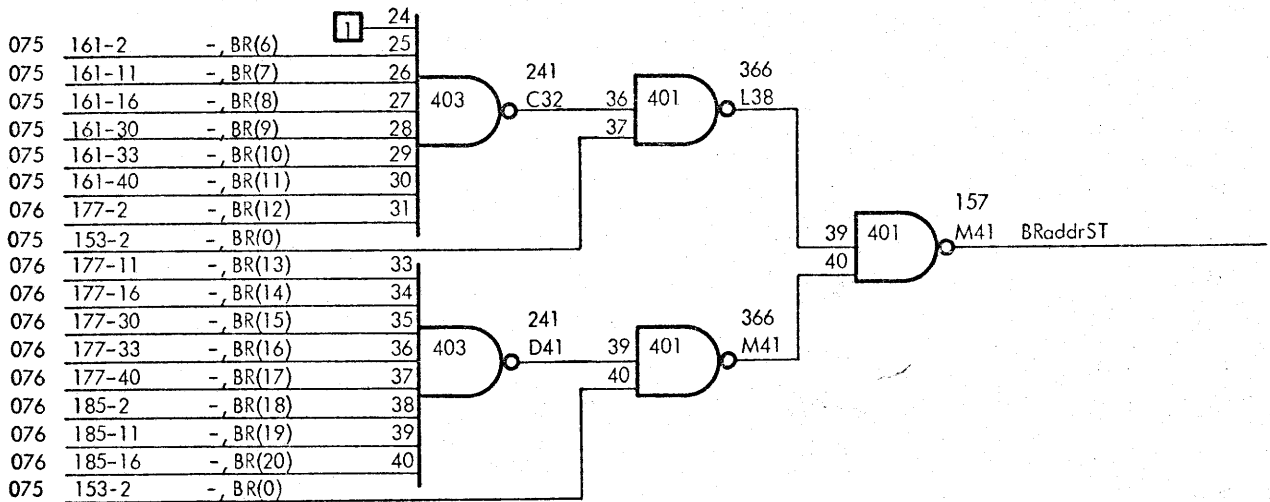
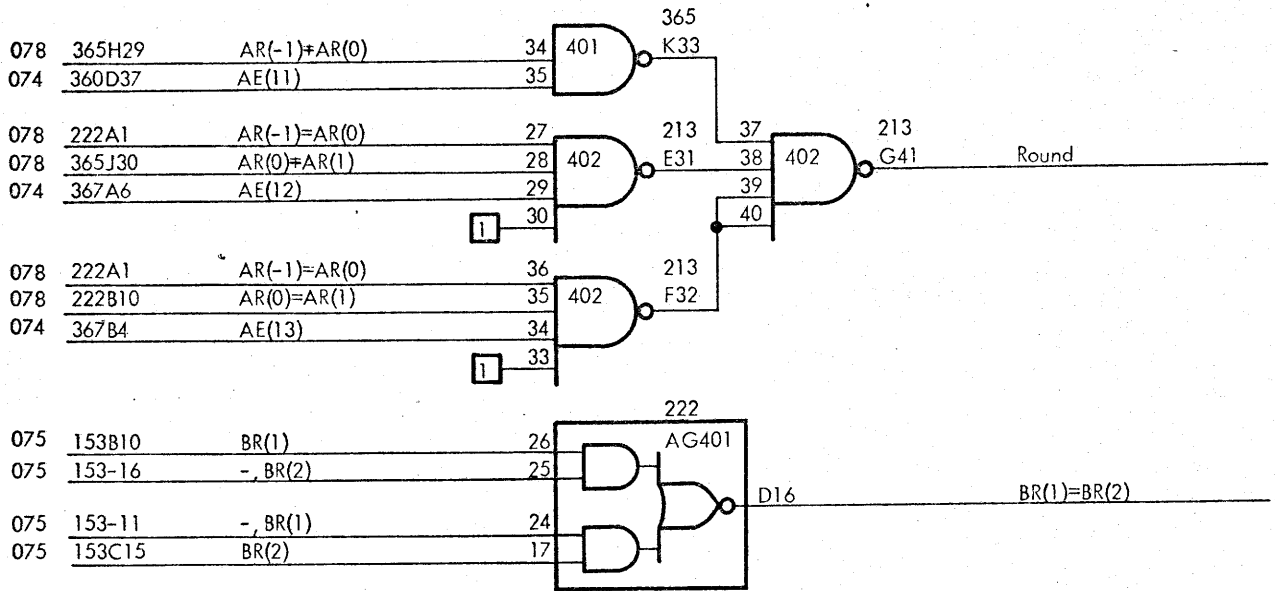


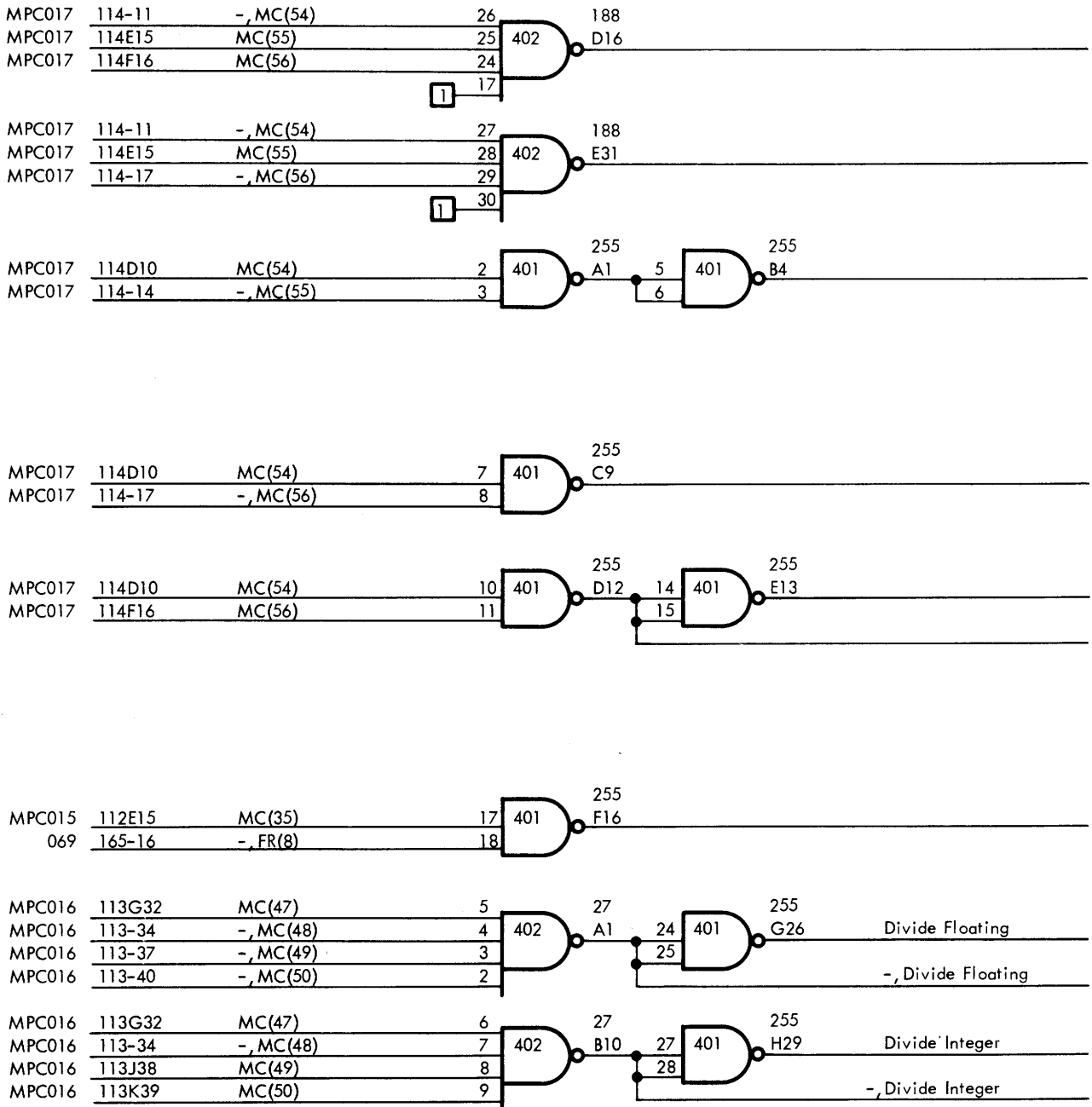






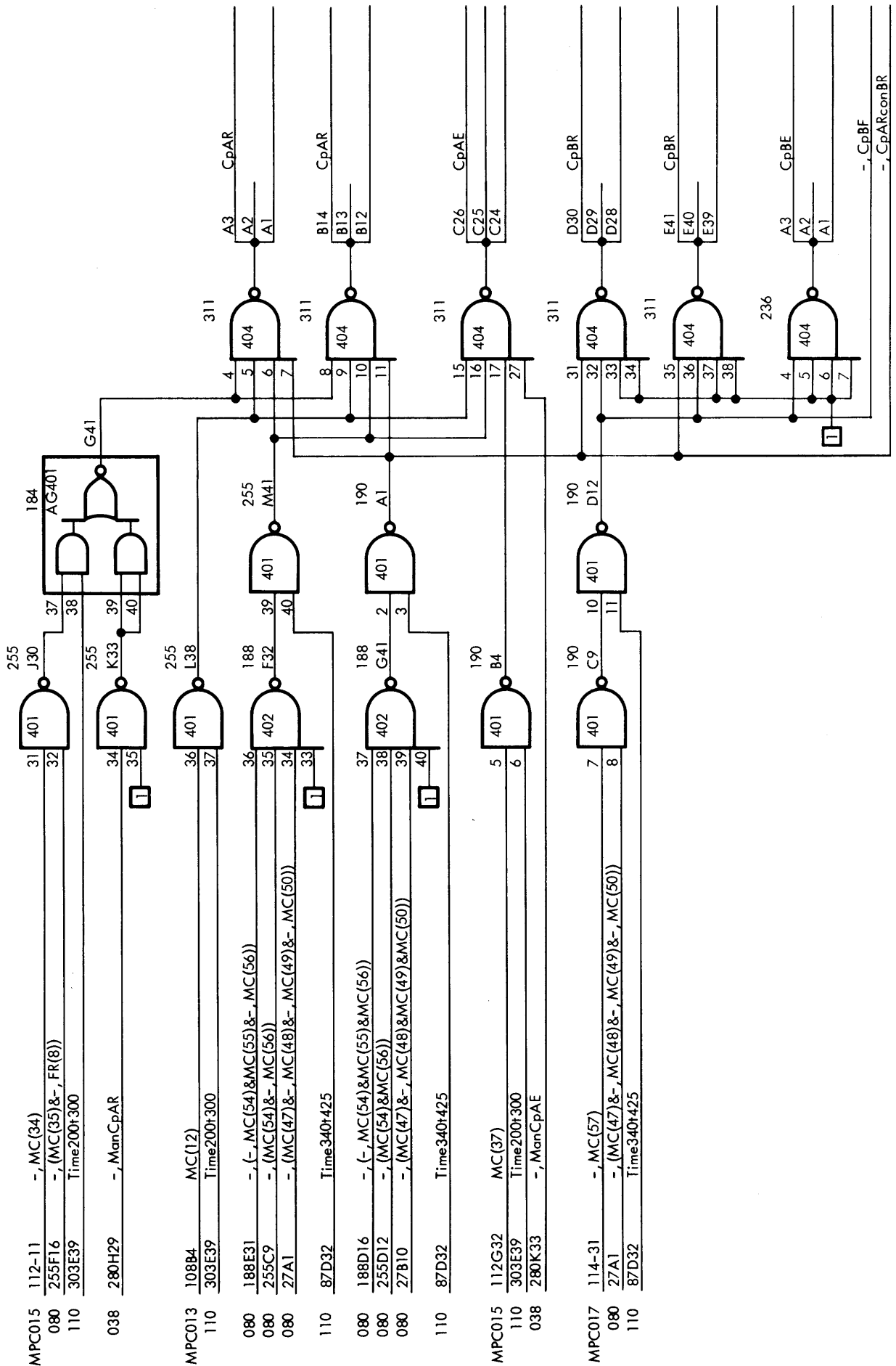


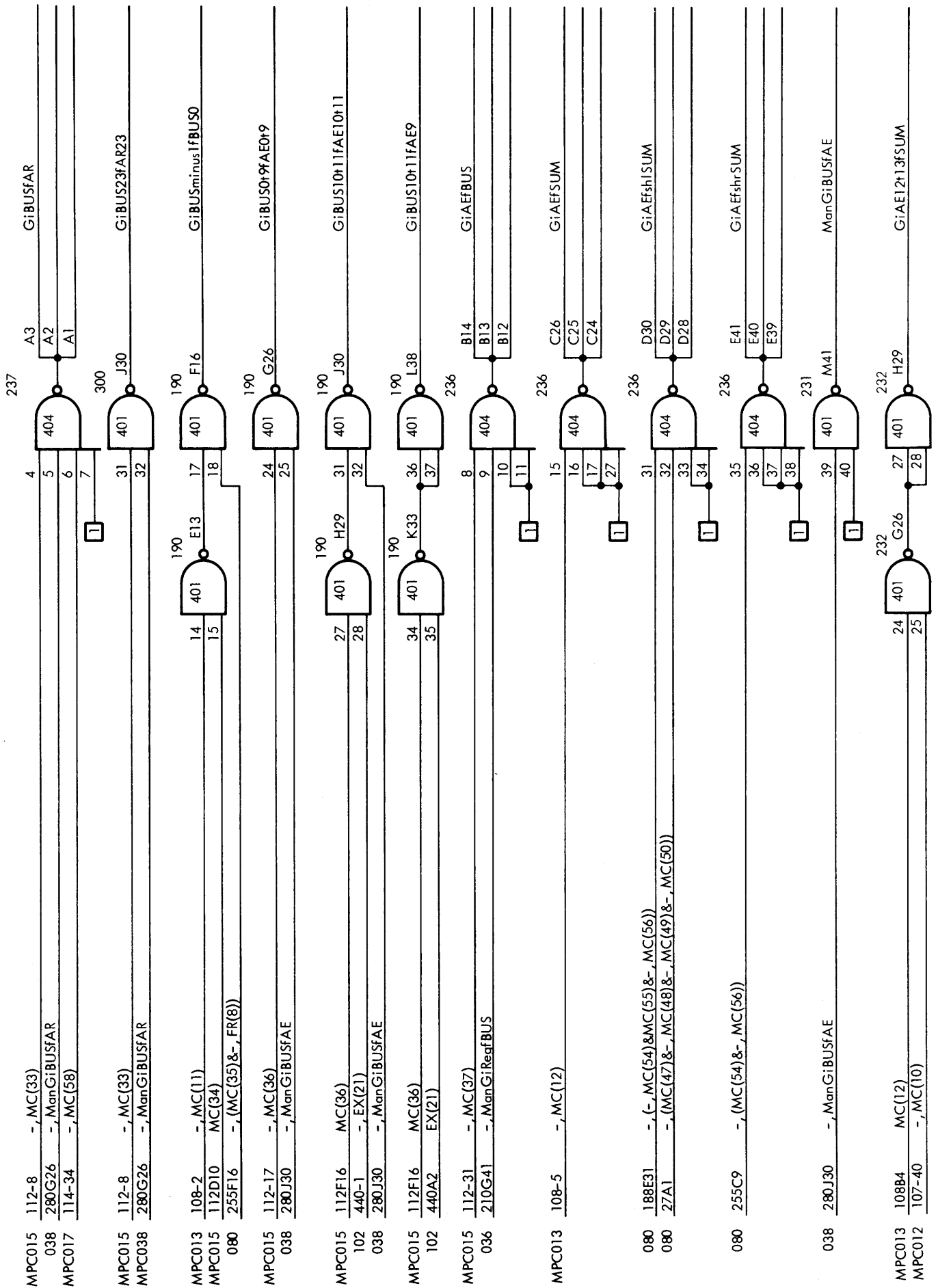


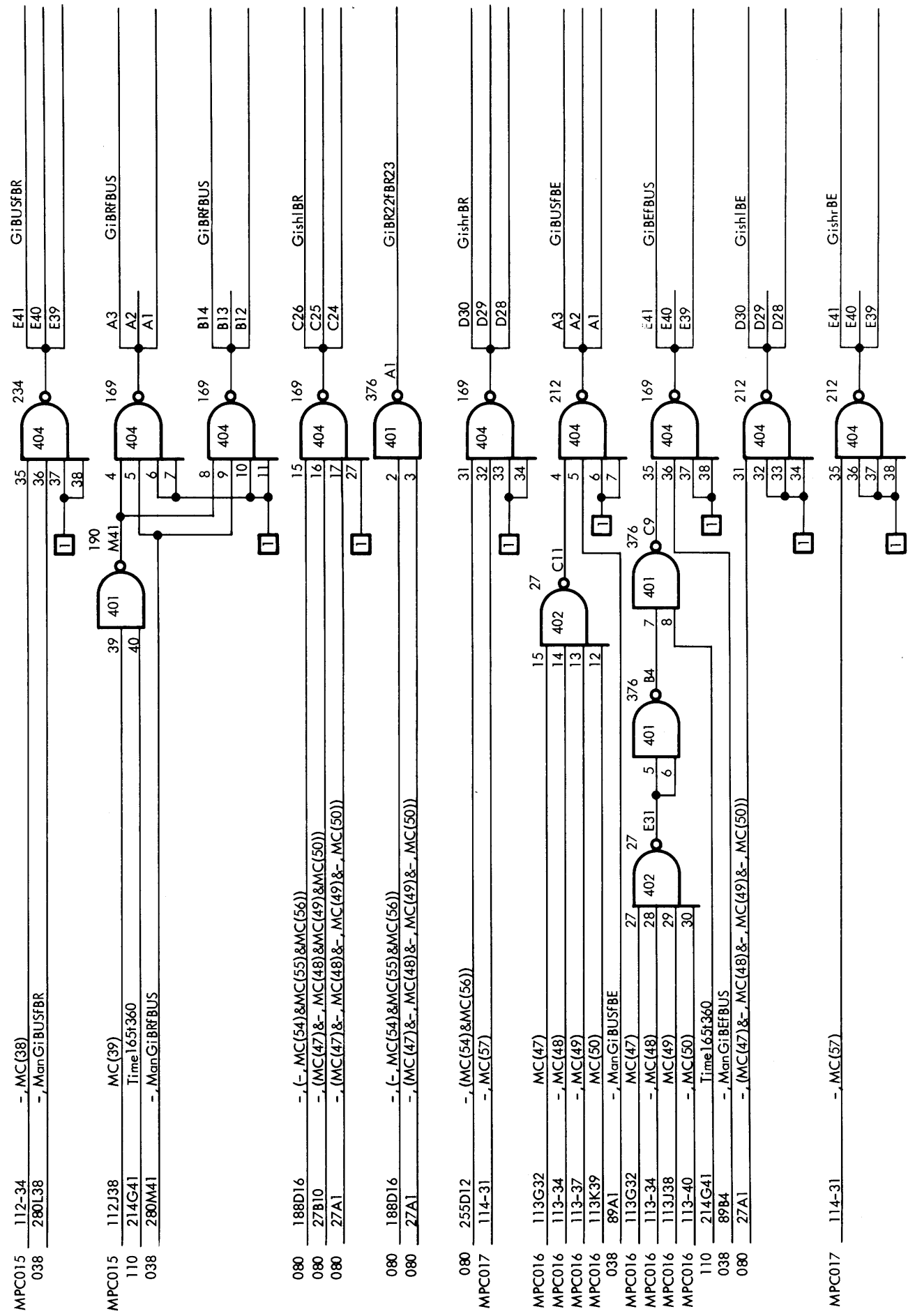


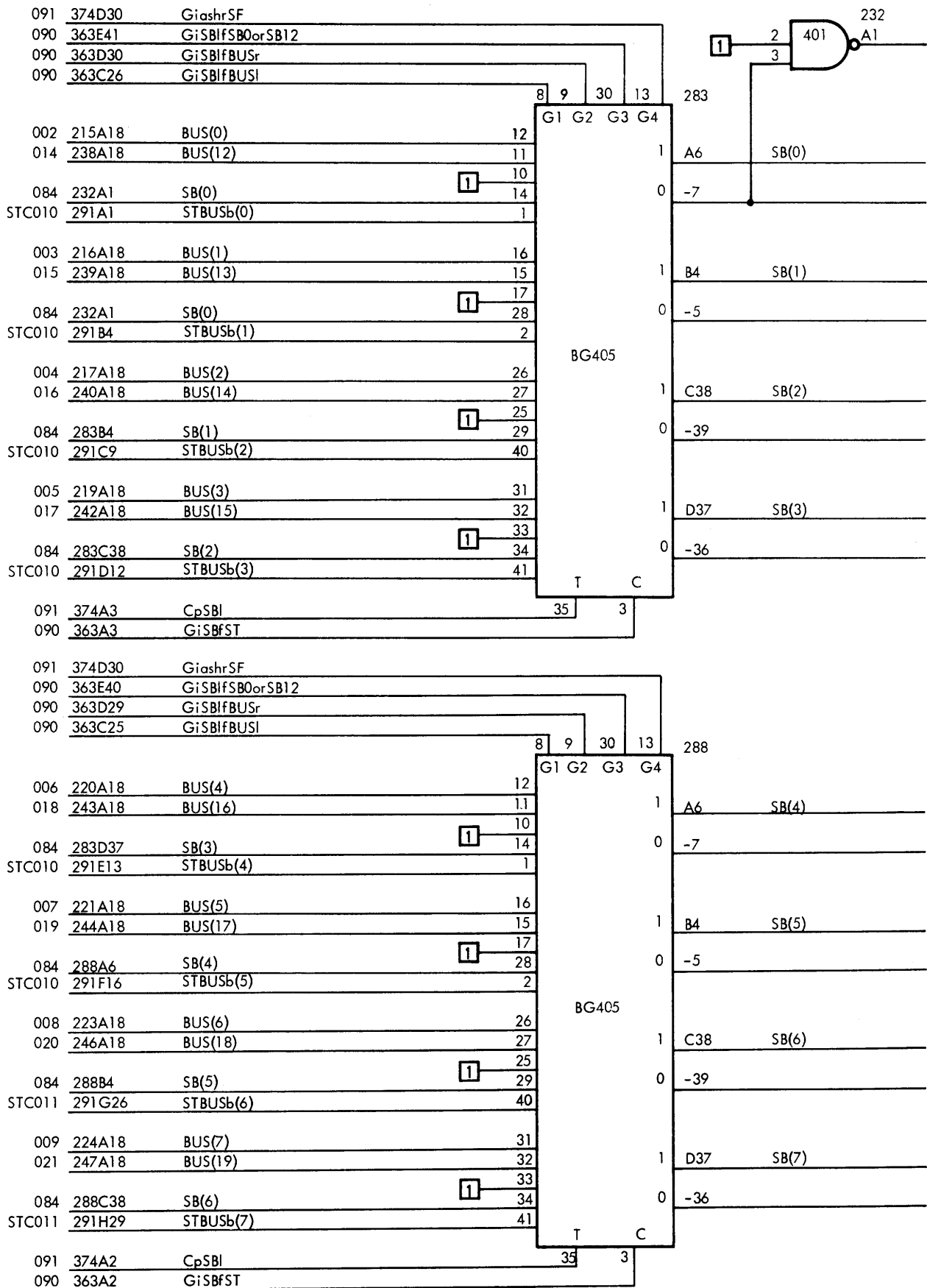
CONTROL OF REGISTERS AR, AE, BR, BE

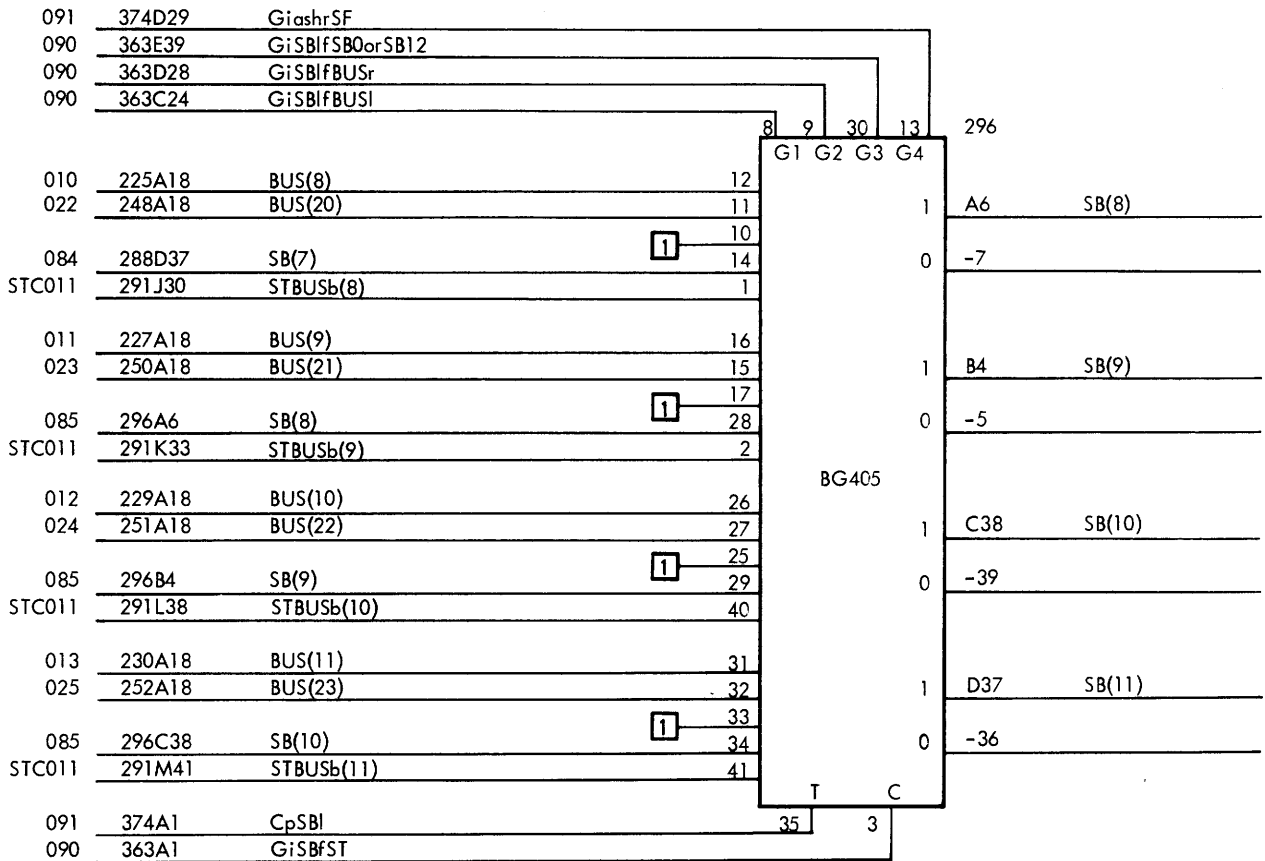
Logic Diagram

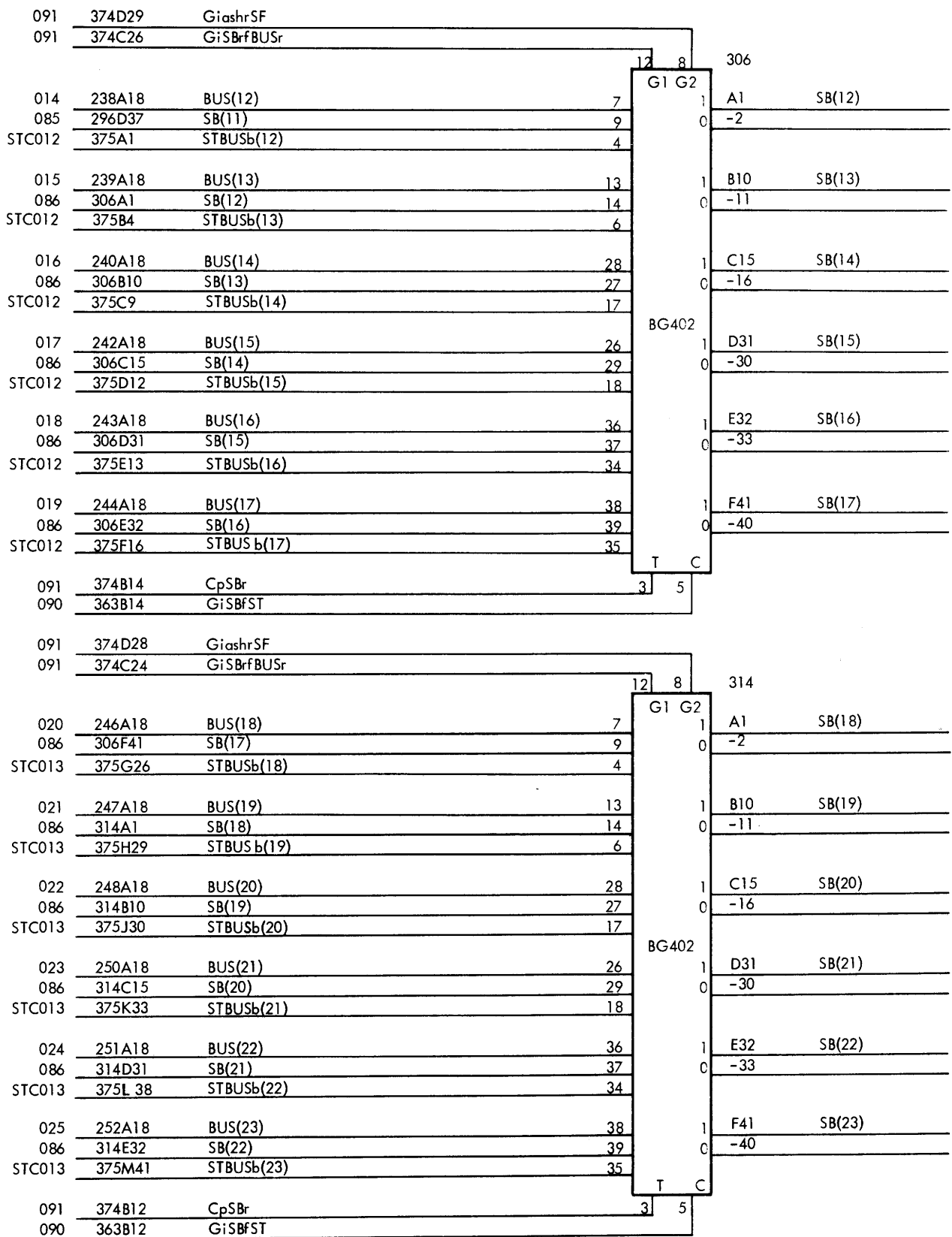


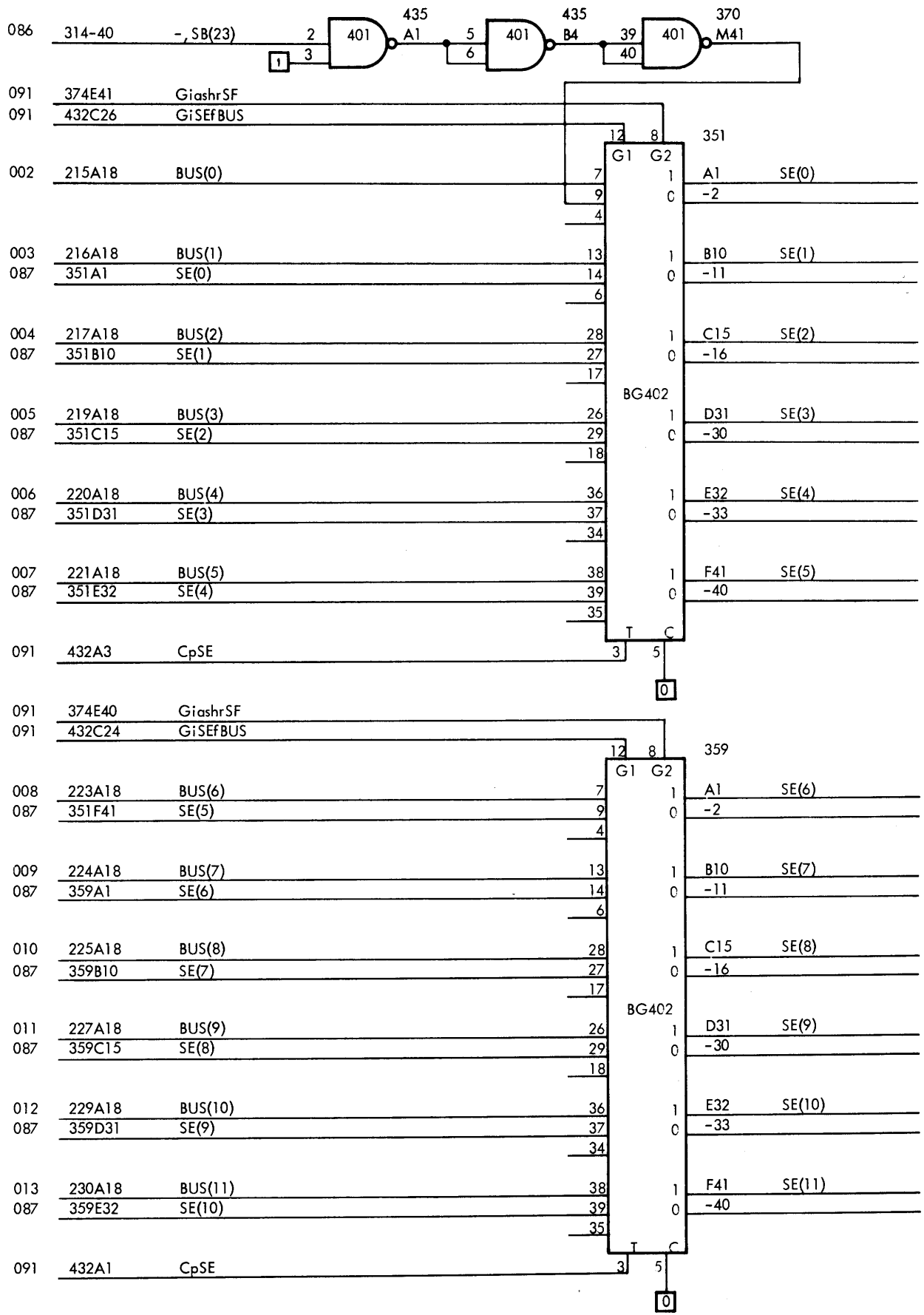


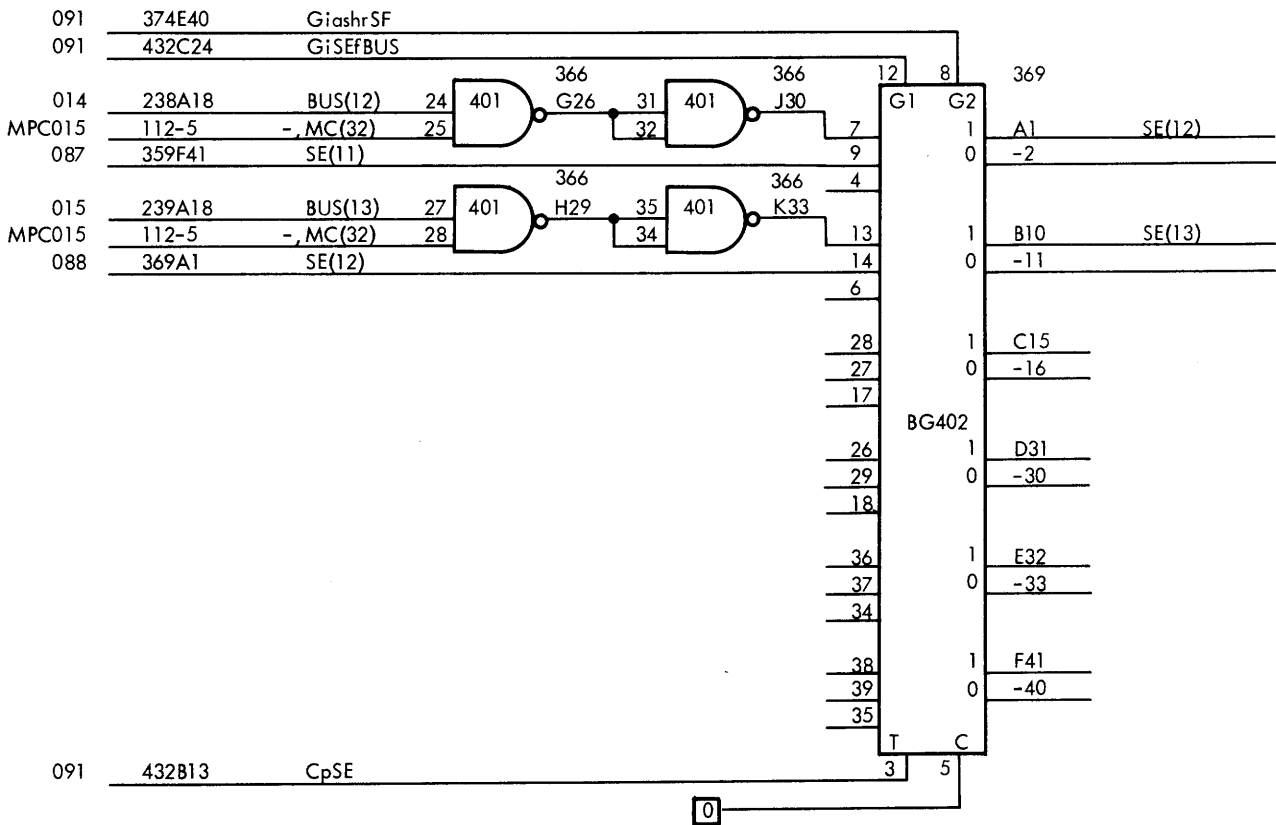


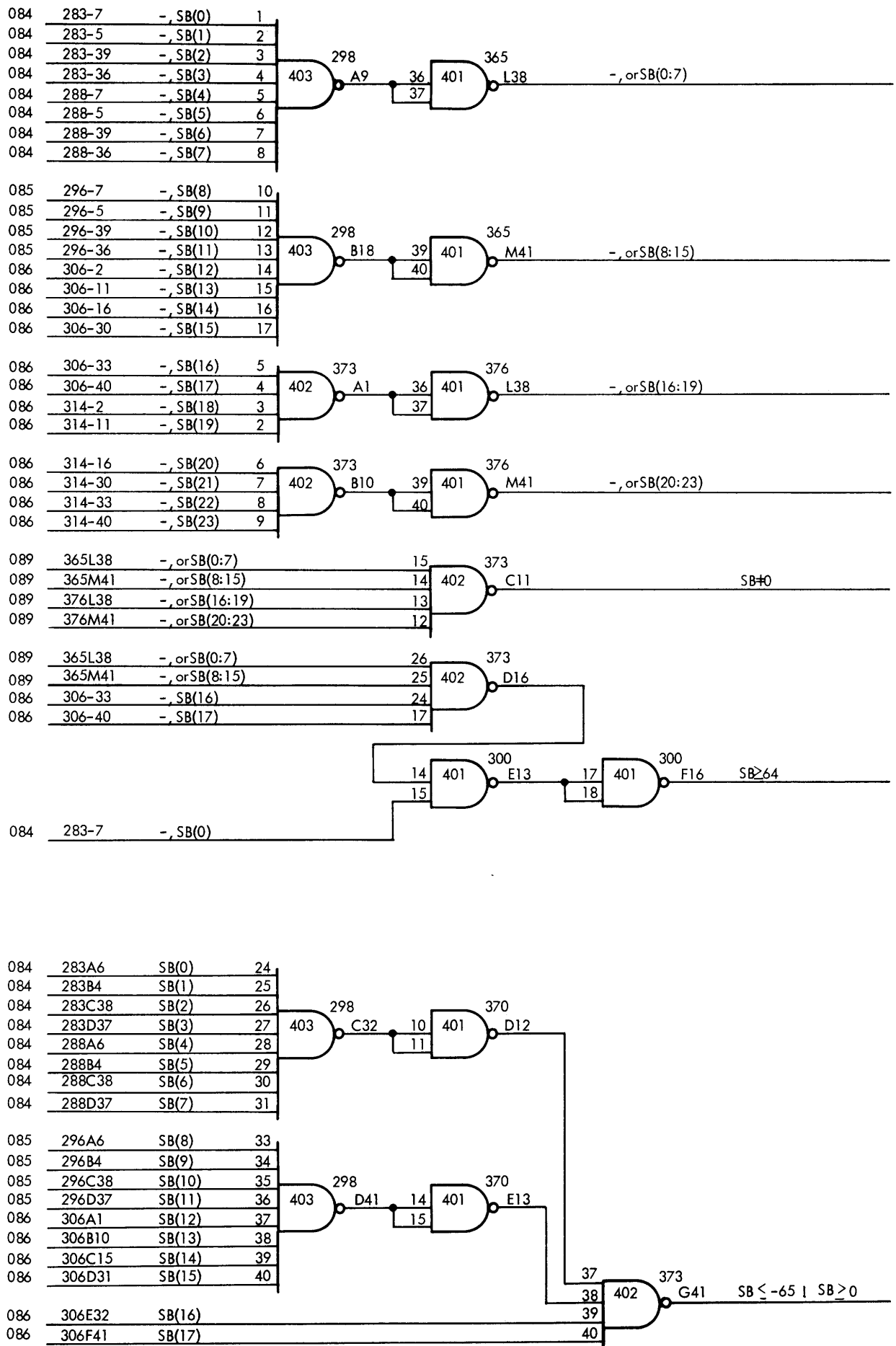


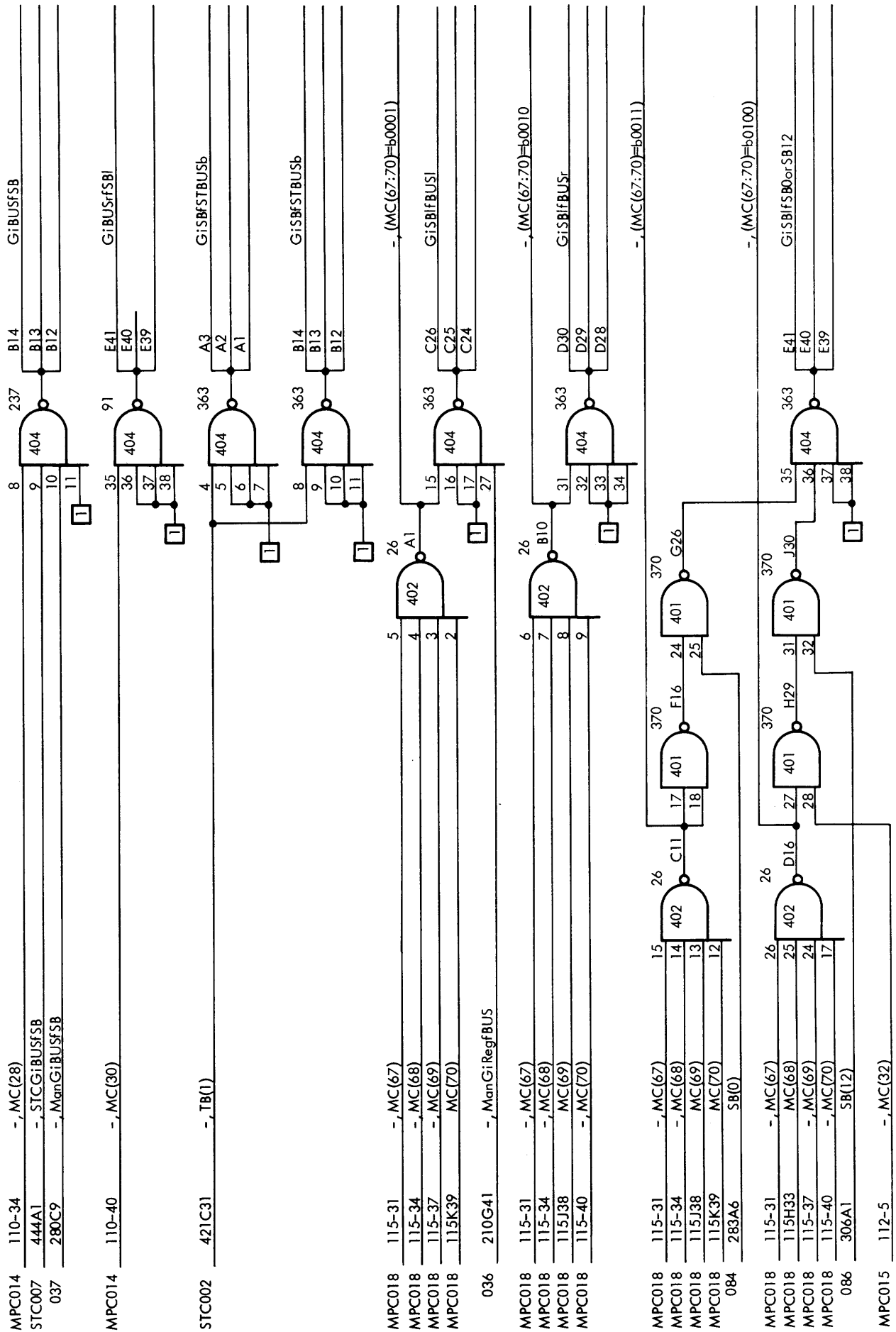


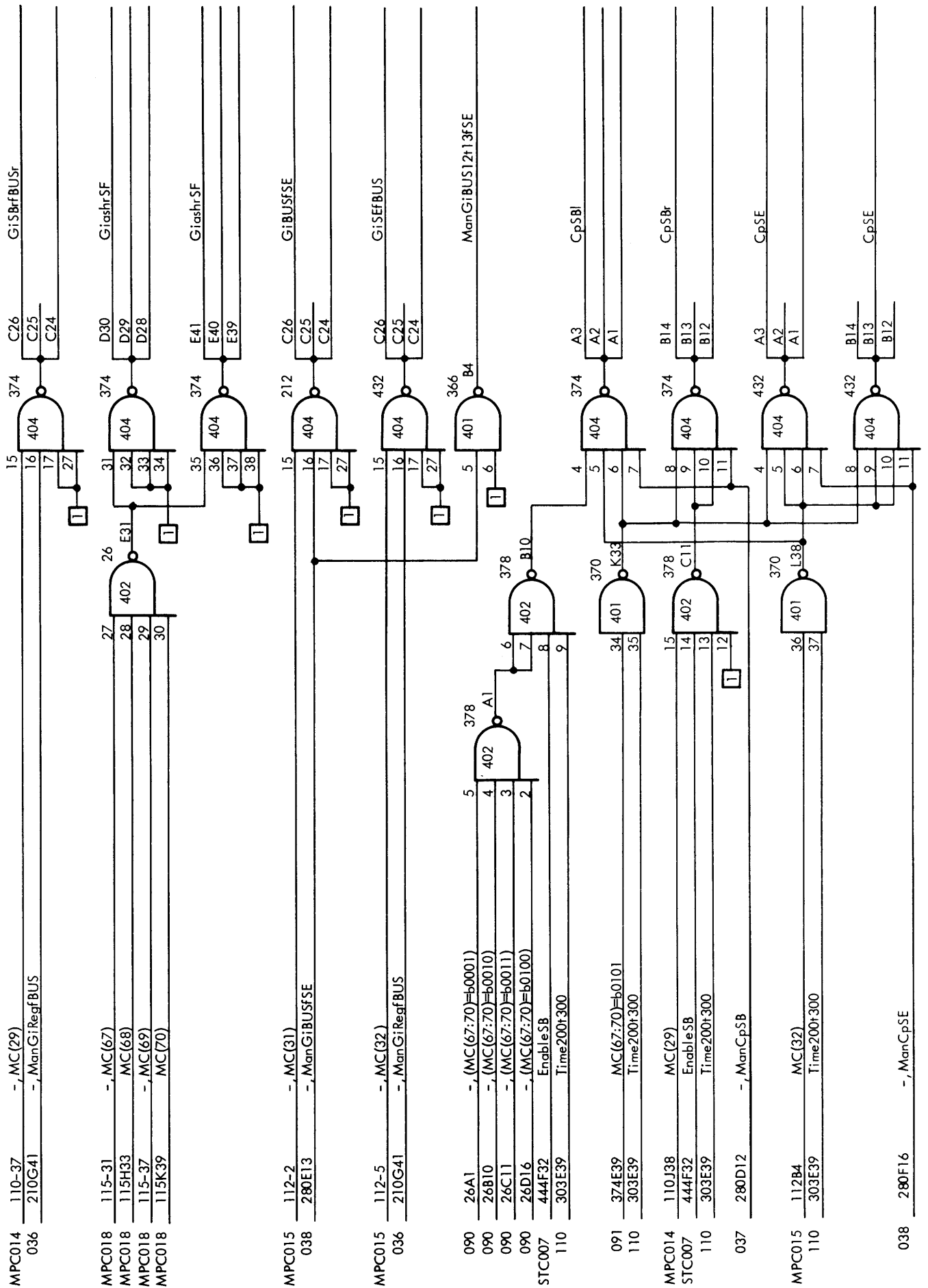


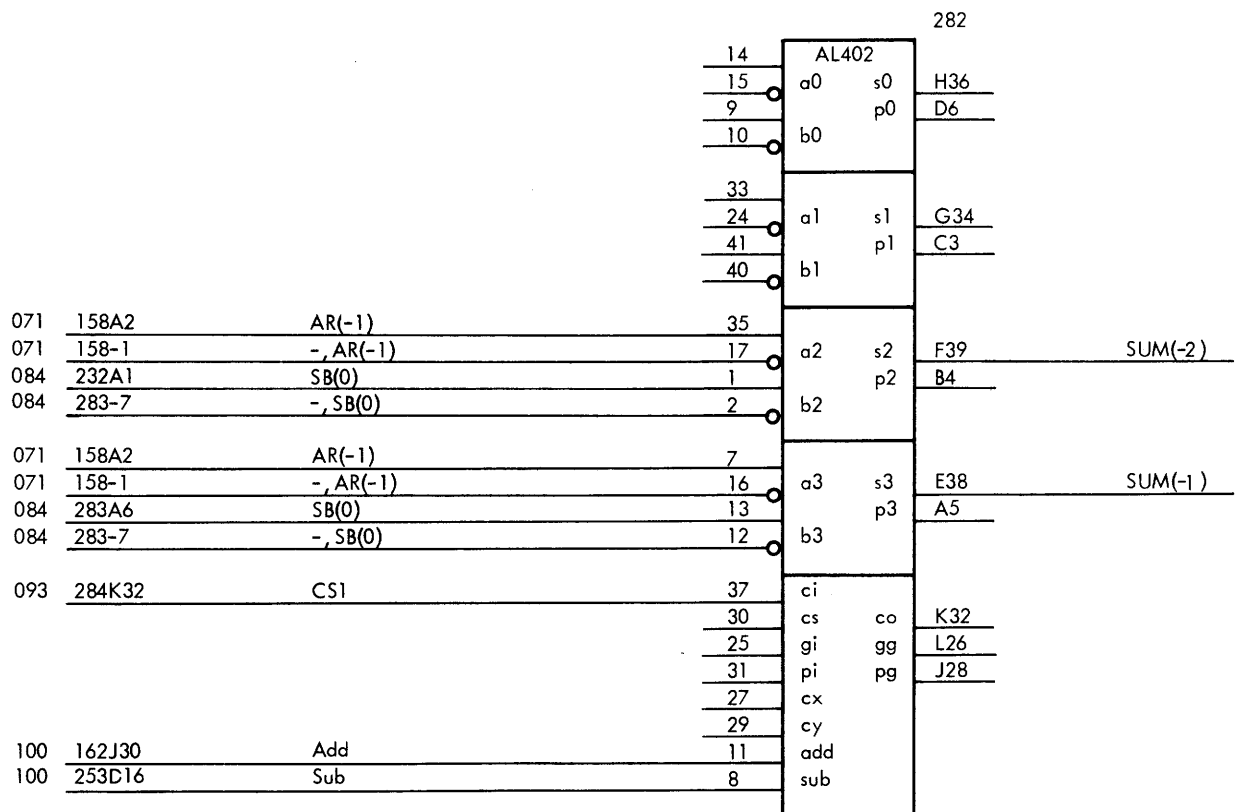












					284			
071	290A2	AR(0)	14		AL402			
071	290-1	-, AR(0)	15	○	a0	s0	H36	SUM(0)
084	283A6	SB(0)	9			p0	D6	AND(0)
084	283-7	-, SB(0)	10	○	b0			
071	290B18	AR(1)	33					
071	290-19	-, AR(1)	24	○	a1	s1	G34	SUM(1)
084	283B4	SB(1)	41			p1	C3	AND(1)
084	283-5	-, SB(1)	40	○	b1			
071	290C6	AR(2)	35					
071	290-5	-, AR(2)	17	○	a2	s2	F39	SUM(2)
084	283C38	SB(2)	1			p2	B4	AND(2)
084	283-39	-, SB(2)	2	○	b2			
071	290D16	AR(3)	7					
071	290-17	-, AR(3)	16	○	a3	s3	E38	SUM(3)
084	283D37	SB(3)	13			p3	A5	AND(3)
084	283-36	-, SB(3)	12	○	b3			
093	289K32	CG2	37		ci			
094	295K32	CS2	30		cs	co	K32	CS1
093	289L26	GG2	25		gi	gg	L26	
093	289J28	PG2	31		pi	pg	J28	
			27		cx			
			29		cy			
100	303A3	Add	11		add			
100	303B14	Sub	8		sub			

					289			
071	290E10	AR(4)	14		AL402			
071	290-9	-, AR(4)	15	○	a0	s0	H36	SUM(4)
084	288A6	SB(4)	9			p0	D6	AND(4)
084	288-7	-, SB(4)	10	○	b0			
071	290F14	AR(5)	33					
071	290-15	-, AR(5)	24	○	a1	s1	G34	SUM(5)
084	288B4	SB(5)	41			p1	C3	AND(5)
084	288-5	-, SB(5)	40	○	b1			
071	290G27	AR(6)	35					
071	290-28	-, AR(6)	17	○	a2	s2	F39	SUM(6)
084	288C38	SB(6)	1			p2	B4	AND(6)
084	288-39	-, SB(6)	2	○	b2			
071	290H30	AR(7)	7					
071	290-29	-, AR(7)	16	○	a3	s3	E38	SUM(7)
084	288D37	SB(7)	13			p3	A5	AND(7)
084	288-36	-, SB(7)	12	○	b3			
094	295K32	CS2	37		ci			
094	295K32	CS2	30		cs	co	K32	CG2
			25		gi	gg	L26	GG2
			31		pi	pg	J28	PG2
			27		cx			
			29		cy			
100	303A3	Add	11		add			
100	303B14	Sub	8		sub			

				295			
071	290J25	AR(8)	14	AL402			
071	290-26	-, AR(8)	15	a0	s0	H36	SUM(8)
085	296A6	SB(8)	9		p0	D6	AND(8)
085	296-7	-, SB(8)	10	b0			
071	290K34	AR(9)	33				
071	290-33	-, AR(9)	24	a1	s1	G34	SUM(9)
085	296B4	SB(9)	41		p1	C3	AND(9)
085	296-5	-, SB(9)	40	b1			
071	290L23	AR(10)	35				
071	290-24	-, AR(10)	17	a2	s2	F39	SUM(10)
085	296C38	SB(10)	1		p2	B4	AND(10)
085	296-39	-, SB(10)	2	b2			
071	290M38	AR(11)	7				
071	290-37	-, AR(11)	16	a3	s3	E38	SUM(11)
085	296D37	SB(11)	13		p3	A5	AND(11)
085	296-36	-, SB(11)	12	b3			
094	305K32	CG4	37	ci			
095	310K32	CS3	30	cs	co	K32	CS2
094	305L26	GG4	25	gi	gg	L26	
094	305J28	PG4	31	pi	pg	J28	
	1		27	cx			
	1		29	cy			
100	303A2	Add	11	add			
100	303B13	Sub	8	sub			

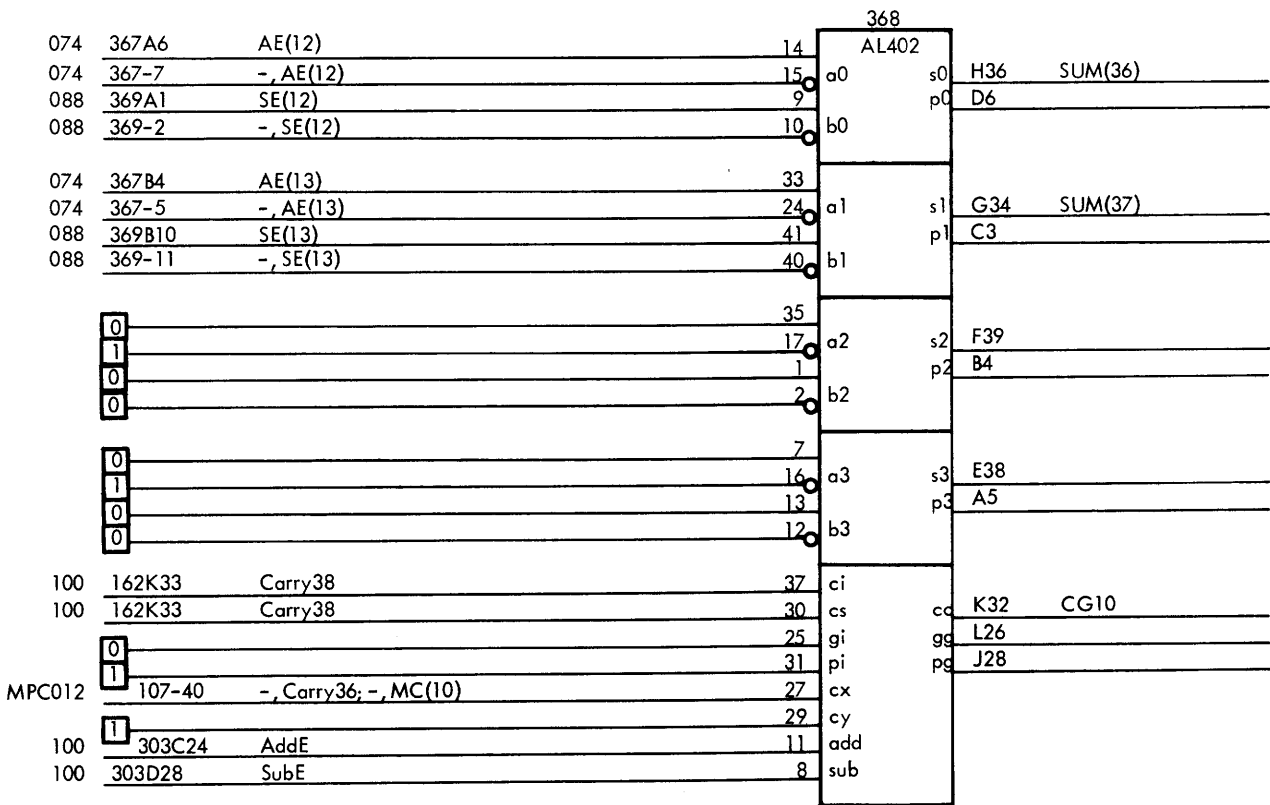
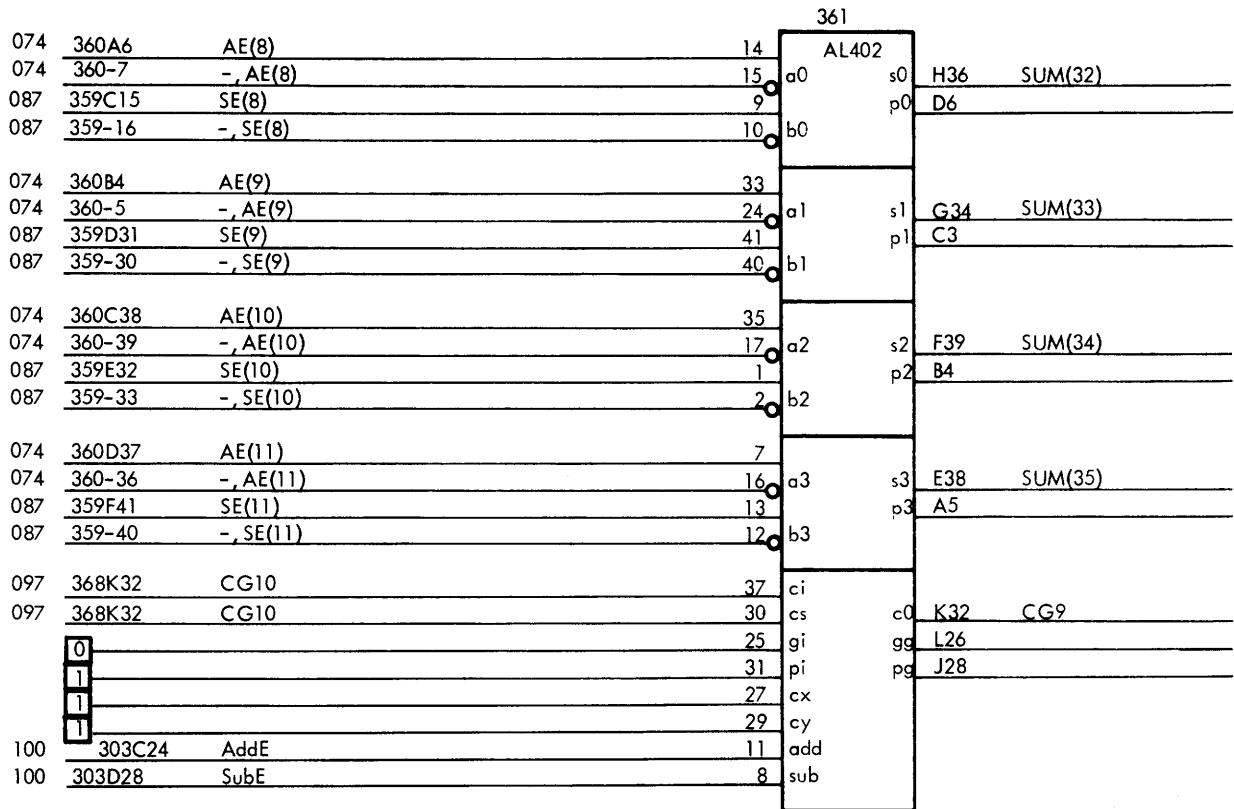
				305			
072	309A2	AR(12)	14	AL402			
072	309-1	-, AR(12)	15	a0	s0	H36	SUM(12)
086	306A1	SB(12)	9		p0	D6	AND(12)
086	306-2	-, SB(12)	10	b0			
072	309B18	AR(13)	33				
072	309-19	-, AR(13)	24	a1	s1	G34	SUM(13)
086	306B10	SB(13)	41		p1	C3	AND(13)
086	306-11	-, SB(13)	40	b1			
072	309C6	AR(14)	35				
072	309-5	-, AR(14)	17	a2	s2	F39	SUM(14)
086	306C15	SB(14)	1		p2	B4	AND(14)
086	306-16	-, SB(14)	2	b2			
072	309D16	AR(15)	7				
072	309-17	-, AR(15)	16	a3	s3	E38	SUM(15)
086	306D31	SB(15)	13		p3	A5	AND(15)
086	306-30	-, SB(15)	12	b3			
095	310K32	CS3	37	ci			
095	310K32	CS3	30	cs	co	K32	CG4
	0		25	gi	gg	L26	GG4
	1		31	pi	pg	J28	PG4
	1		27	cx			
	1		29	cy			
100	303A2	Add	11	add			
100	303B13	Sub	8	sub			

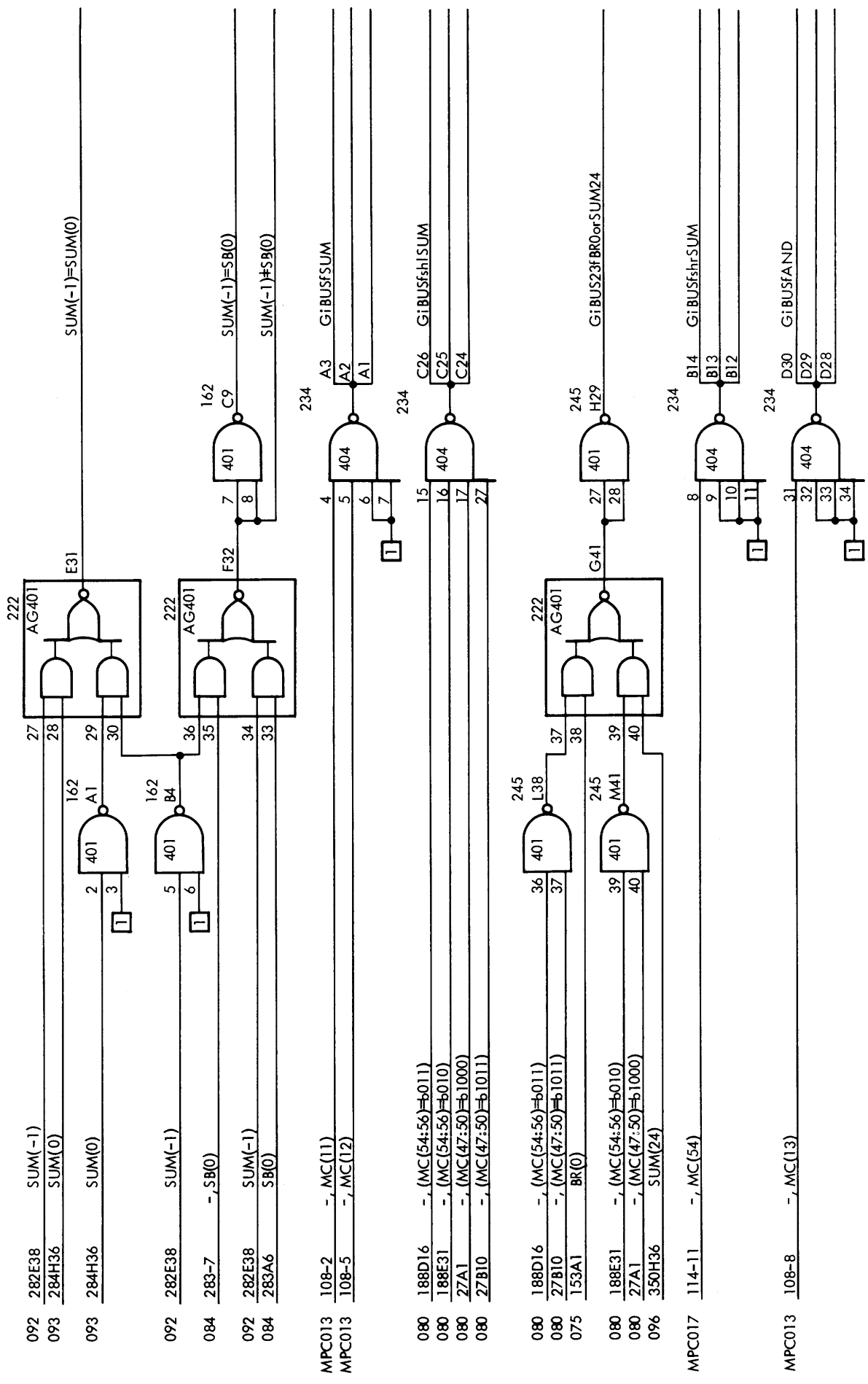
				310			
072	309E10	AR(16)	14	AL402			
072	309-9	-, AR(16)	15	a0	s0	H36	SUM(16)
086	306E32	SB(16)	9		p0	D6	AND(16)
086	306-33	-, SB(16)	10	b0			
072	309F14	AR(17)	33				
072	309-15	-, AR(17)	24	a1	s1	G34	SUM(17)
086	306F41	SB(17)	41		p1	C3	AND(17)
086	306-40	-, SB(17)	40	b1			
072	309G27	AR(18)	35				
072	309-28	-, AR(18)	17	a2	s2	F39	SUM(18)
086	314A1	SB(18)	1		p2	B4	AND(18)
086	314-2	-, SB(18)	2	b2			
072	309H30	AR(19)	7				
072	309-29	-, AR(19)	16	a3	s3	E38	SUM(19)
086	314B10	SB(19)	13		p3	A5	AND(19)
086	314-11	-, SB(19)	12	b3			
095	315K32	CG6	37	ci			
096	350K32	CS4	30	cs	co	K32	CS3
095	315L26	GG6	25	gi	gg	L26	
095	315J28	PG6	31	pi	pg	J28	
			27	cx			
			29	cy			
100	303A1	Add	11	add			
100	303B12	Sub	8	sub			

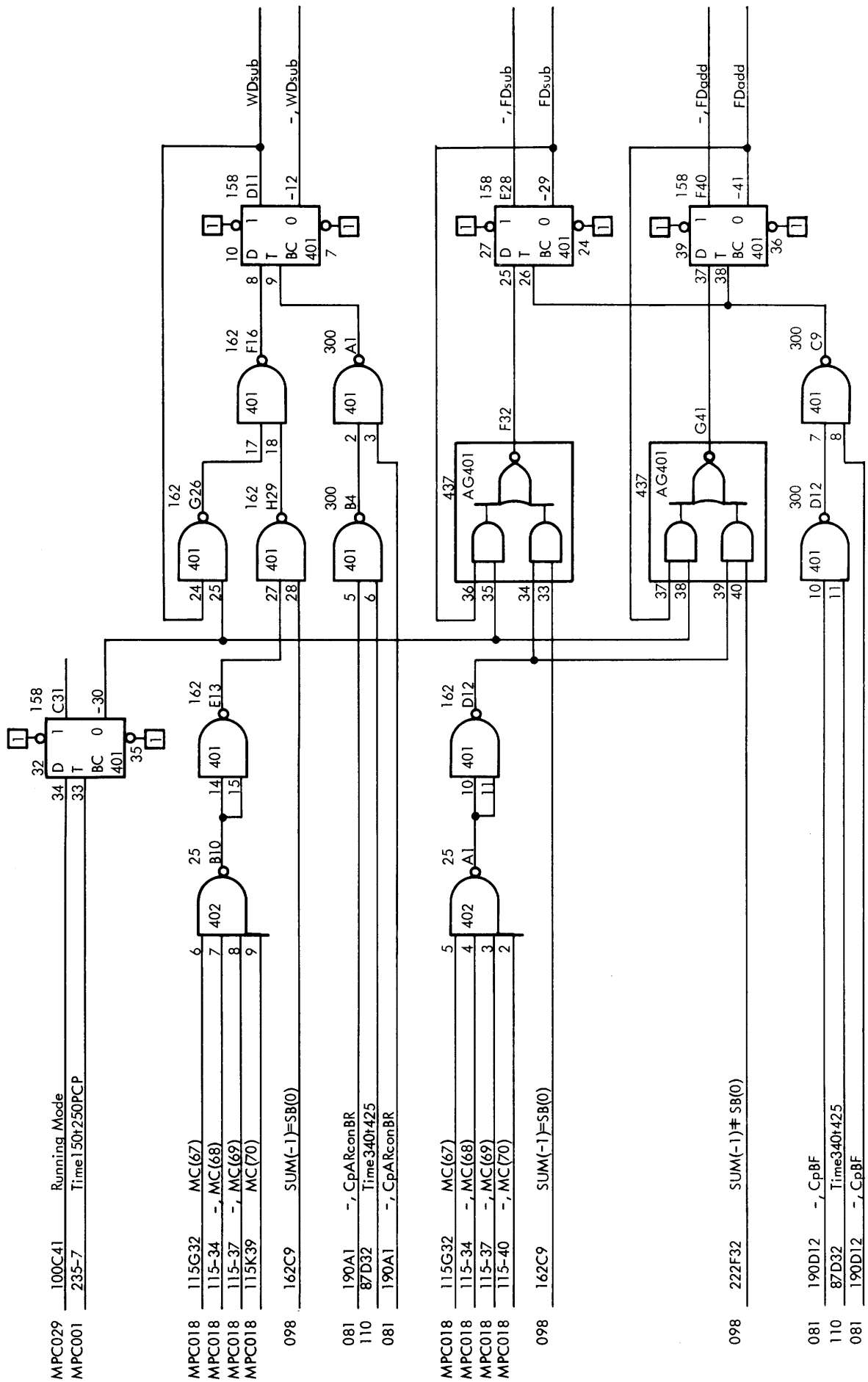
				315			
072	309J25	AR(20)	14	AL402			
072	309-26	-, AR(20)	15	a0	s0	H36	SUM(20)
086	314C15	SB(20)	9		p0	D6	AND(20)
086	314-16	-, SB(20)	10	b0			
072	309K34	AR(21)	33				
072	309-33	-, AR(21)	24	g1	s1	G34	SUM(21)
086	314D31	SB(21)	41		p1	C3	AND(21)
086	314-30	-, SB(21)	40	b1			
072	309L23	AR(22)	35				
072	309-24	-, AR(22)	17	a2	s2	F39	SUM(22)
086	314E32	SB(22)	1		p2	B4	AND(22)
086	314-33	-, SB(22)	2	b2			
072	309M38	AR(23)	7				
072	309-37	-, AR(23)	16	a3	s3	E38	SUM(23)
086	314F41	SB(23)	13		p3	A5	AND(23)
086	314-40	-, SB(23)	12	b3			
096	350K32	CS4	37	ci			
096	350K32	CS4	30	cs	co	K32	CG6
			25	gi	gg	L26	GG6
			31	pi	pg	J28	PG6
			27	cx			
			29	cy			
100	303A1	Add	11	add			
100	303B12	Sub	8	sub			

				350			
073	349A6	AE(0)	14	AL402			
073	349-7	-, AE(0)	15	a0	s0	H36	SUM(24)
087	351A1	SE(0)	9		p0	D6	
087	351-2	-, SE(0)	10	b0			
073	349B4	AE(1)	33				
073	349-5	-, AE(1)	24	a1	s1	G34	SUM(25)
087	351B10	SE(1)	41		p1	C3	
087	351-11	-, SE(1)	40	b1			
073	349C38	AE(2)	35				
073	349-39	-, AE(2)	17	a2	s2	F39	SUM(26)
087	351C15	SE(2)	1		p2	B4	
087	351-16	-, SE(2)	2	b2			
073	349D37	AE(3)	7				
073	349-36	-, AE(3)	16	a3	s3	E38	SUM(27)
087	351D31	SE(3)	13		p3	A5	
087	351-30	-, SE(3)	12	b3			
096	355K32	CG8	37	ci			
097	361K32	CG9	30	cs	co	K32	CS4
096	355L26	GG8	25	gi	gg	L26	
096	355J28	PG8	31	pi	pg	J28	
100	245K33	-, Carry24	27	cx			
			29	cy			
100	1 303C26	AddE	11	add			
100	303D30	SubE	8	sub			

				355			
073	354A6	AE(4)	14	AL402			
073	354-7	-, AE(4)	15	a0	s0	H36	SUM(28)
087	351E32	SE(4)	9		p0	D6	
087	351-33	-, SE(4)	10	b0			
073	354B4	AE(5)	33				
073	354-5	-, AE(5)	24	a1	s1	G34	SUM(29)
087	351F41	SE(5)	41		p1	C3	
087	351-40	-, SE(5)	40	b1			
073	354C38	AE(6)	35				
073	354-39	-, AE(6)	17	a2	s2	F39	SUM(30)
087	359A1	SE(6)	1		p2	B4	
087	359-2	-, SE(6)	2	b2			
073	354D37	AE(7)	7				
073	354-36	-, AE(7)	16	a3	s3	E38	SUM(31)
087	359B10	SE(7)	13		p3	A5	
087	359-11	-, SE(7)	12	b3			
097	361K32	CG9	37	ci			
097	361K32	CG9	30	cs	co	K32	CG8
			25	gi	gg	L26	GG8
			31	pi	pg	J28	PG8
			27	cx			
			29	cy			
100	1 303C25	AddE	11	add			
100	303D29	SubE	8	sub			



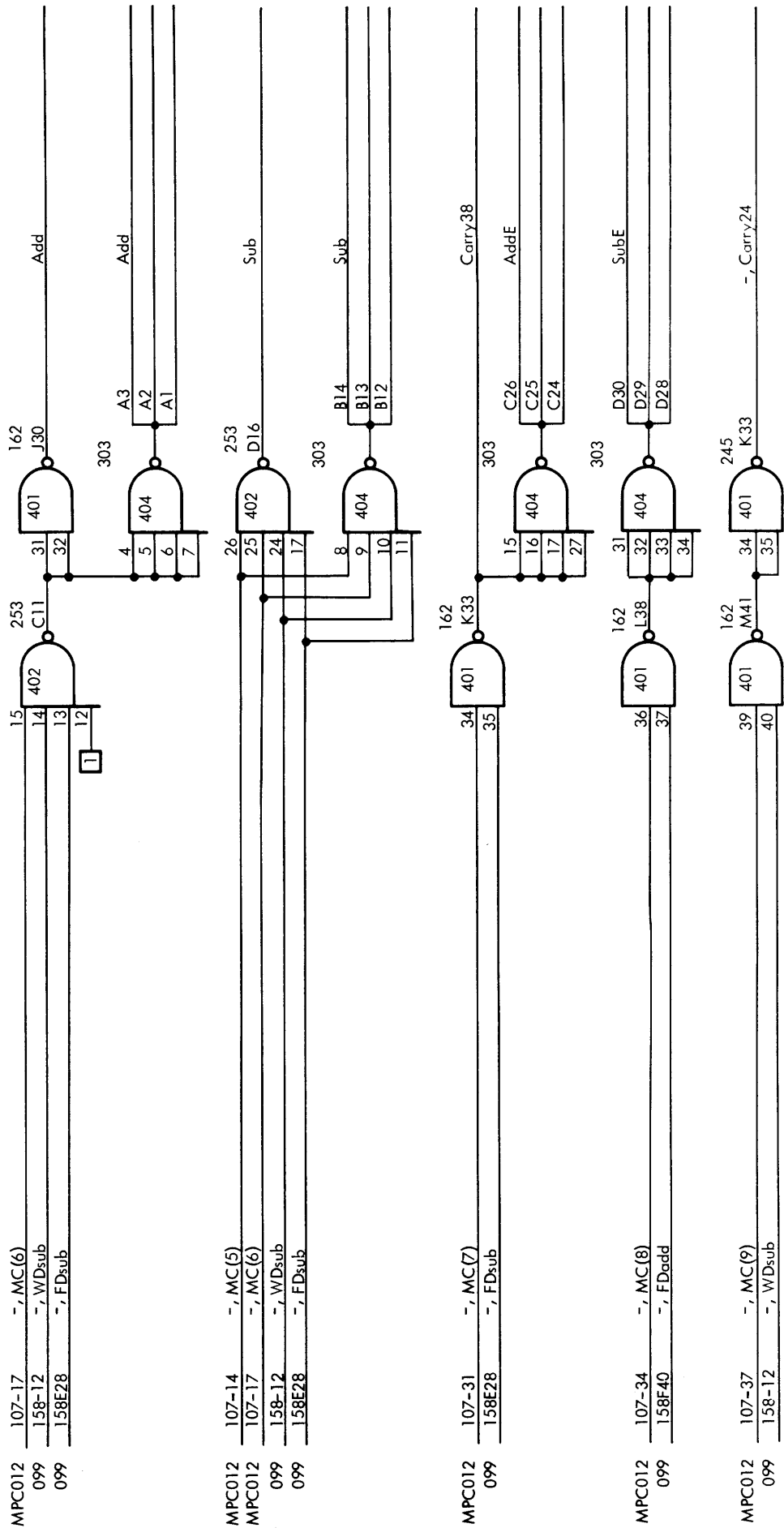


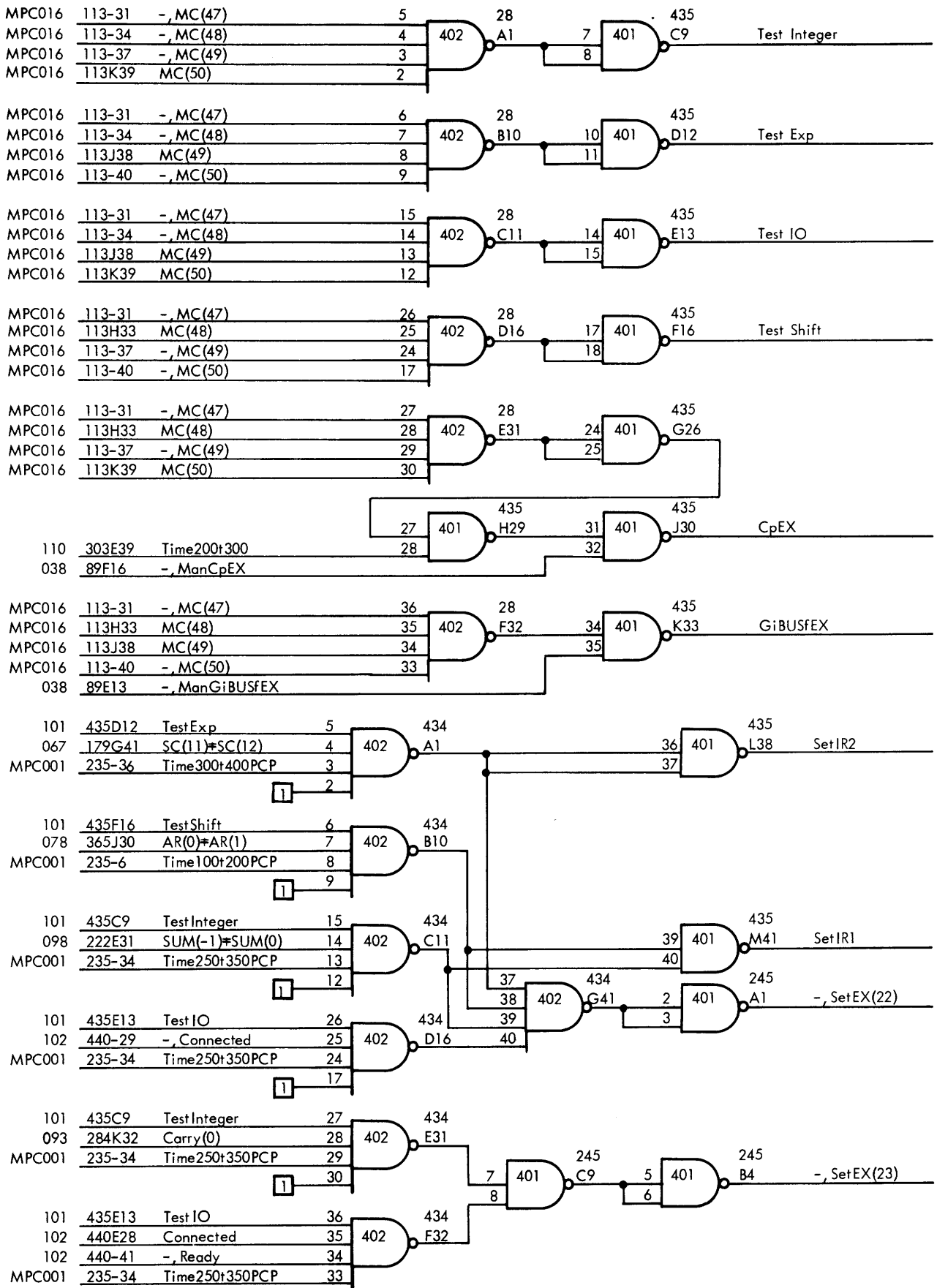


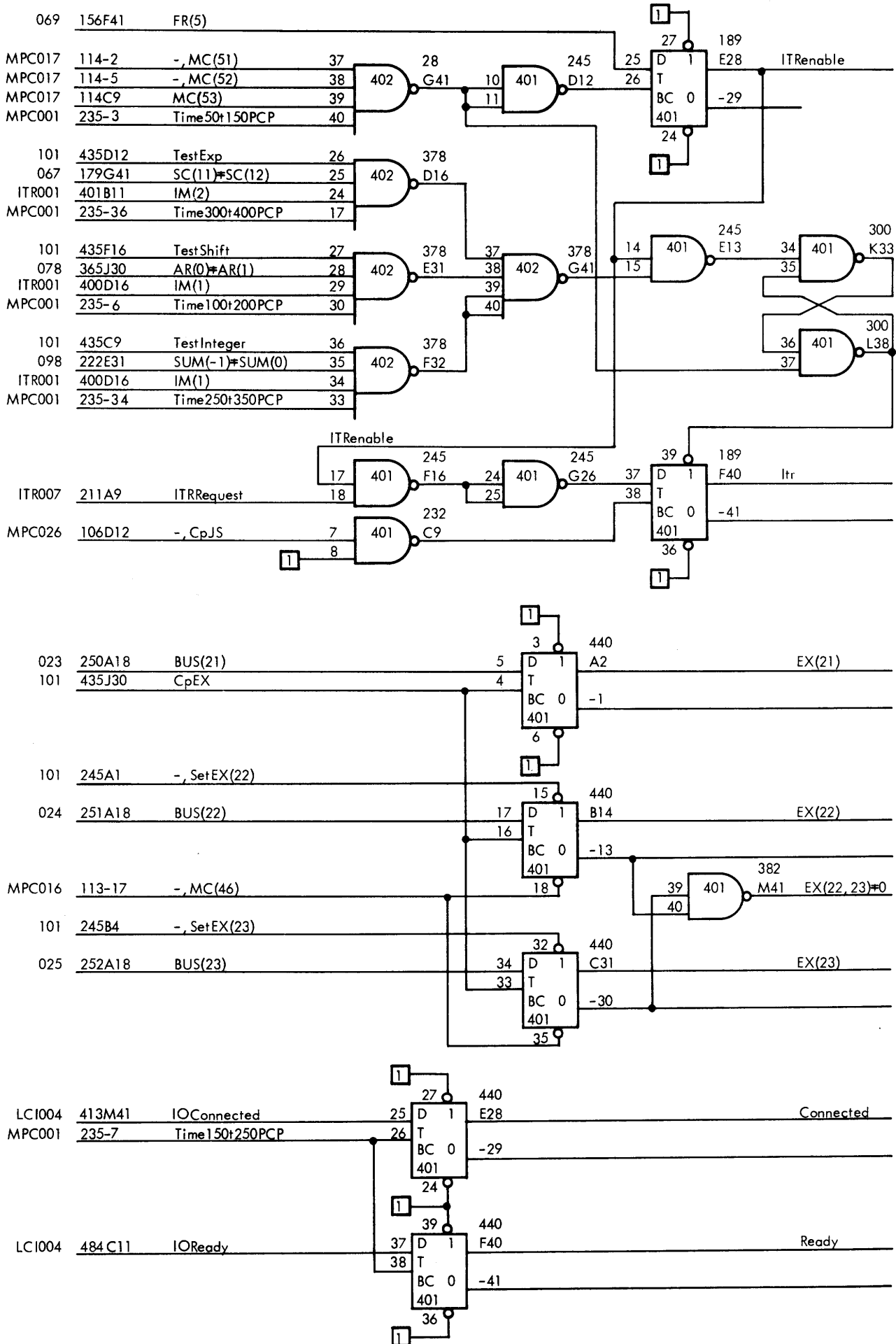
CONTROL OF ADDER

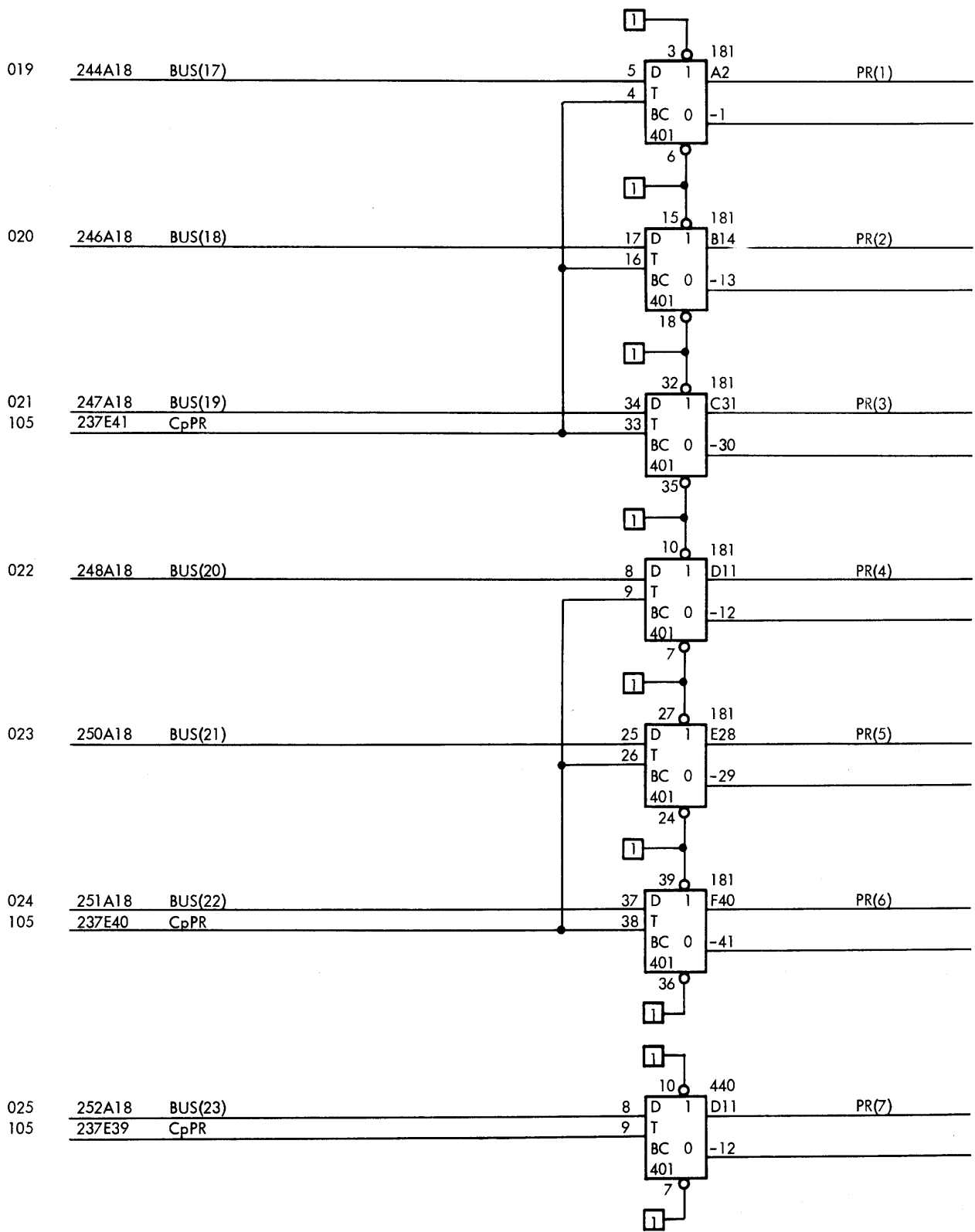
CONTROL OF ADDER

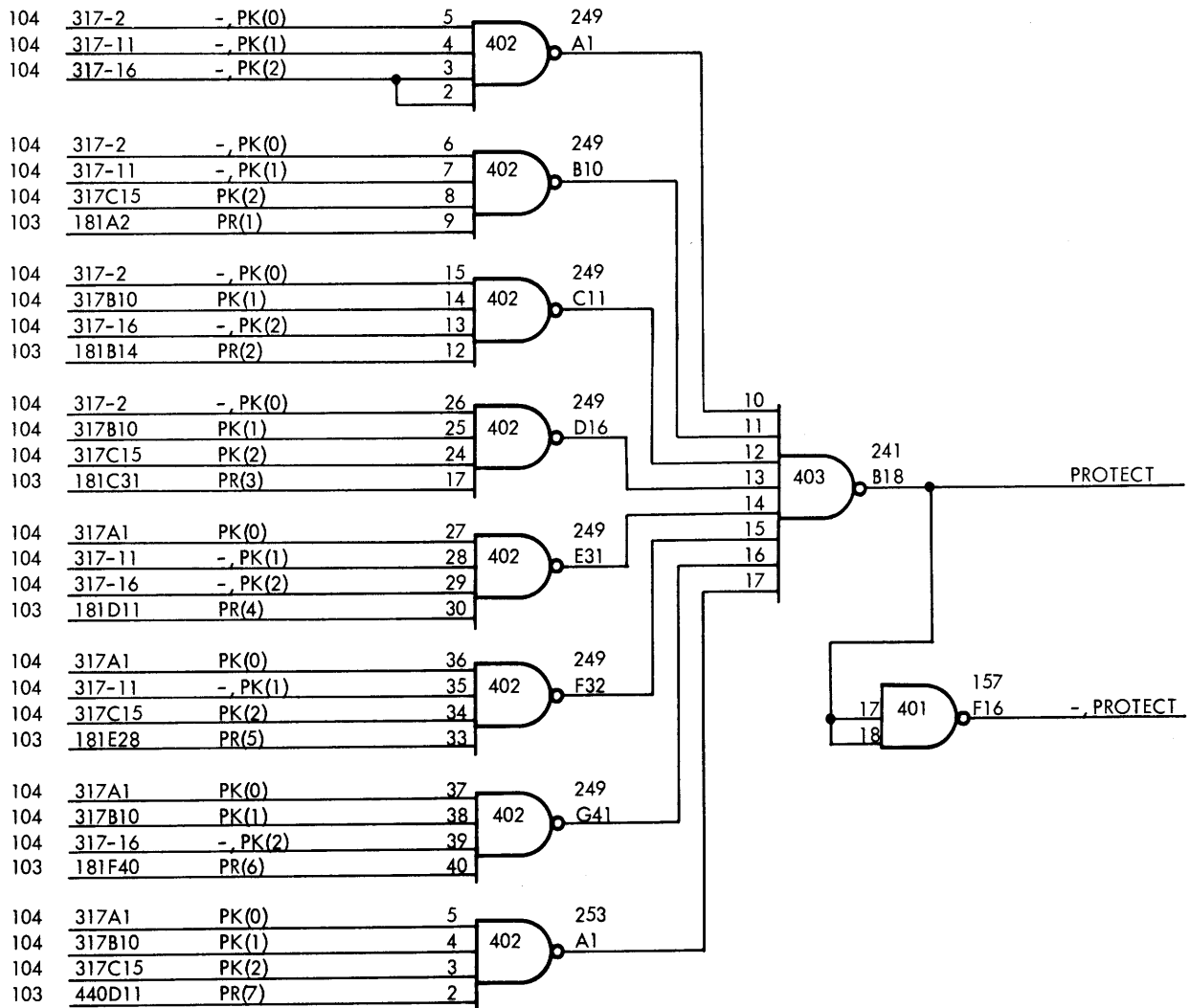
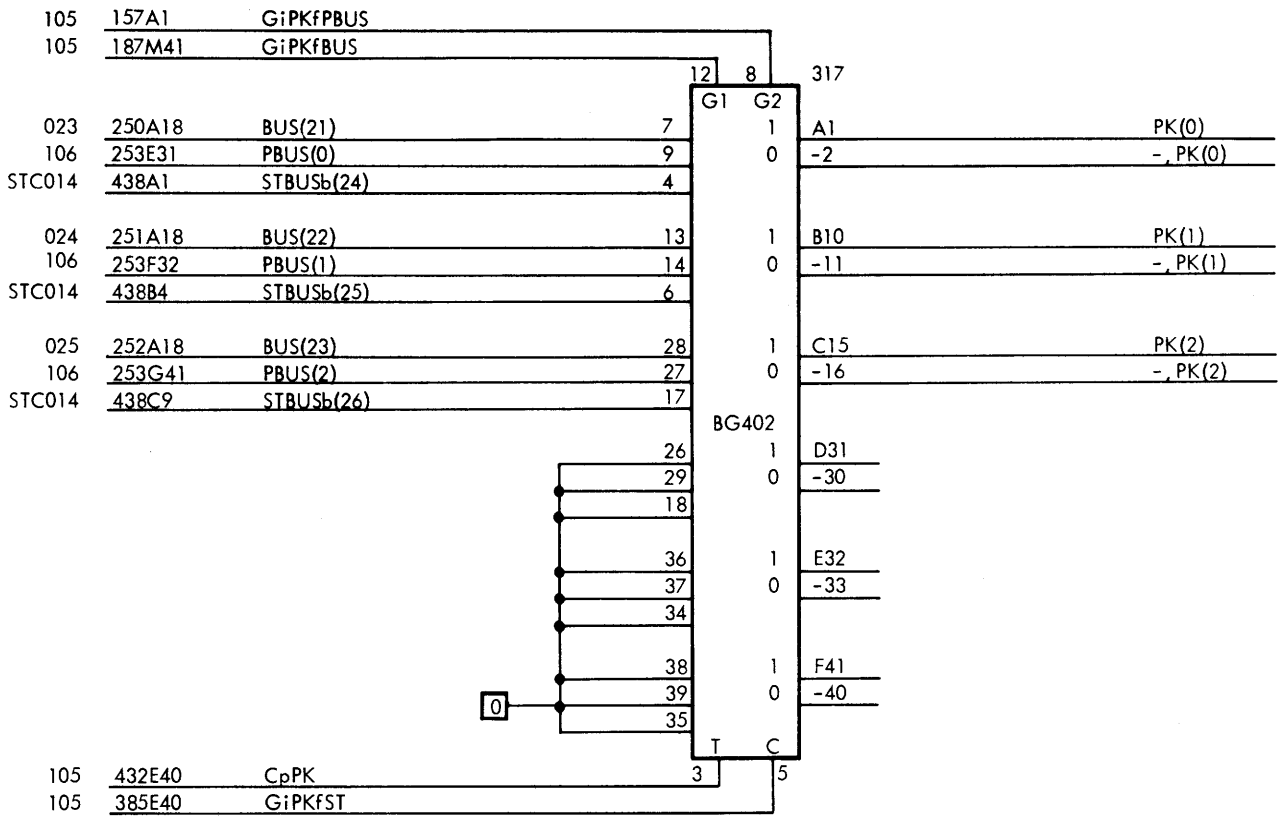
Logic Diagram

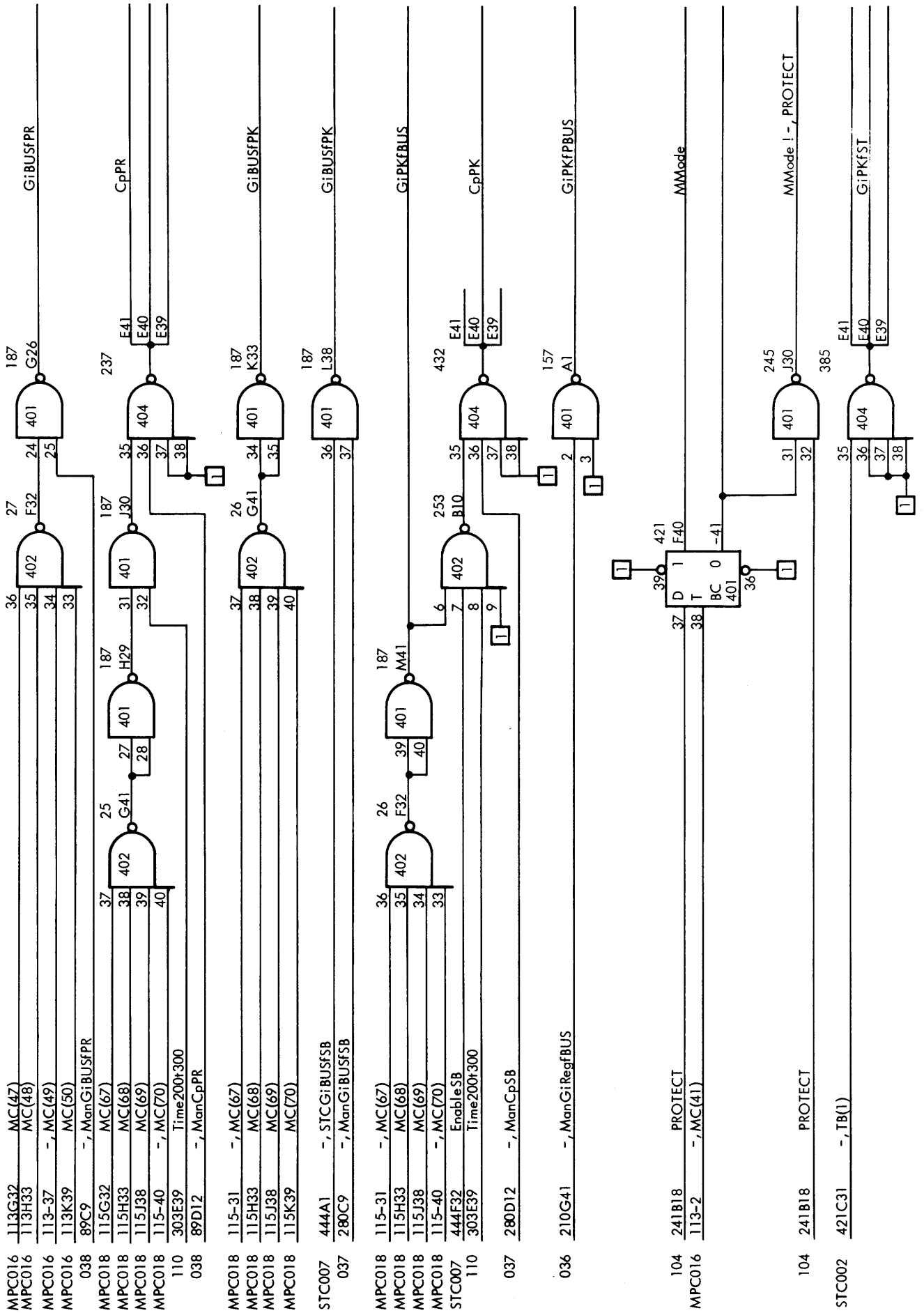










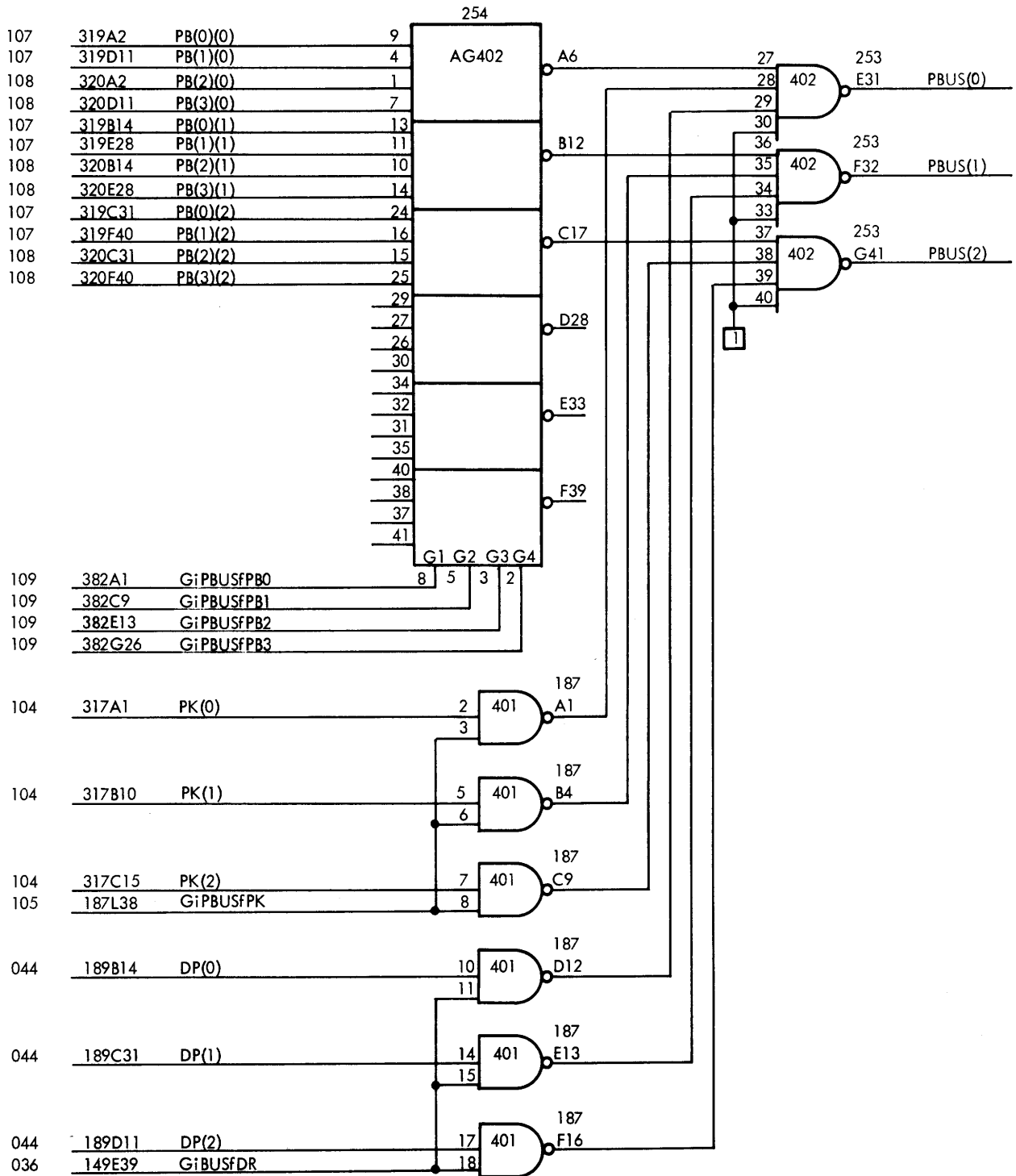


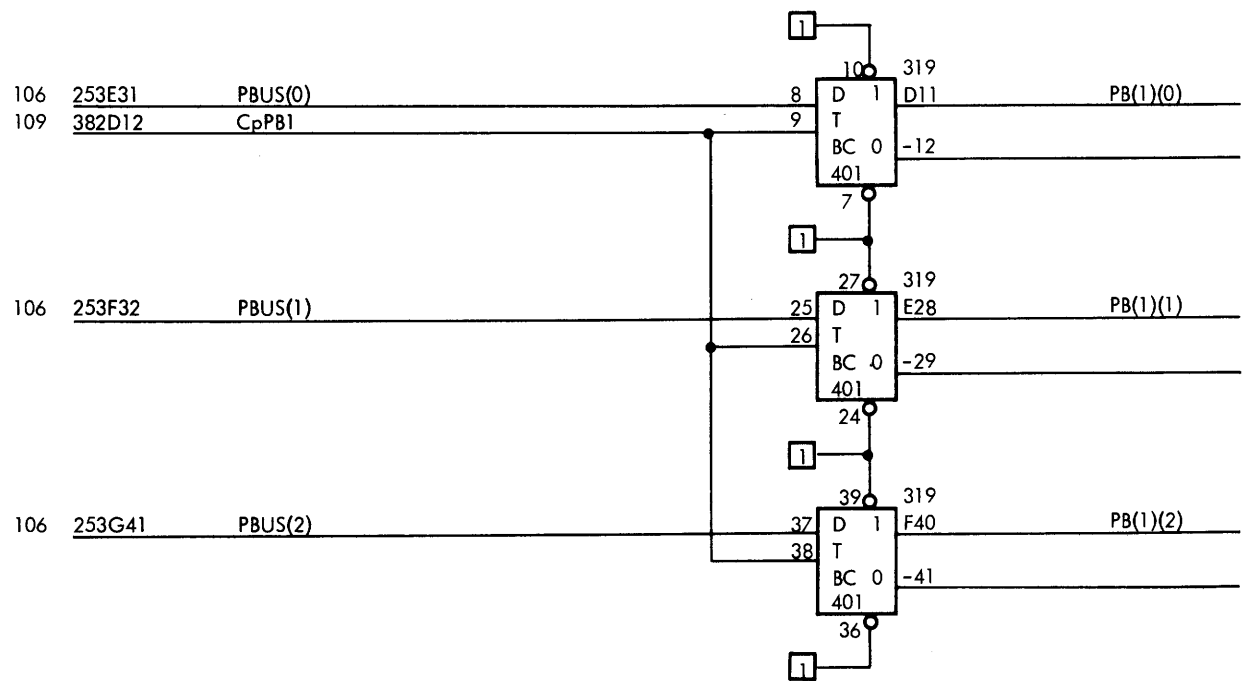
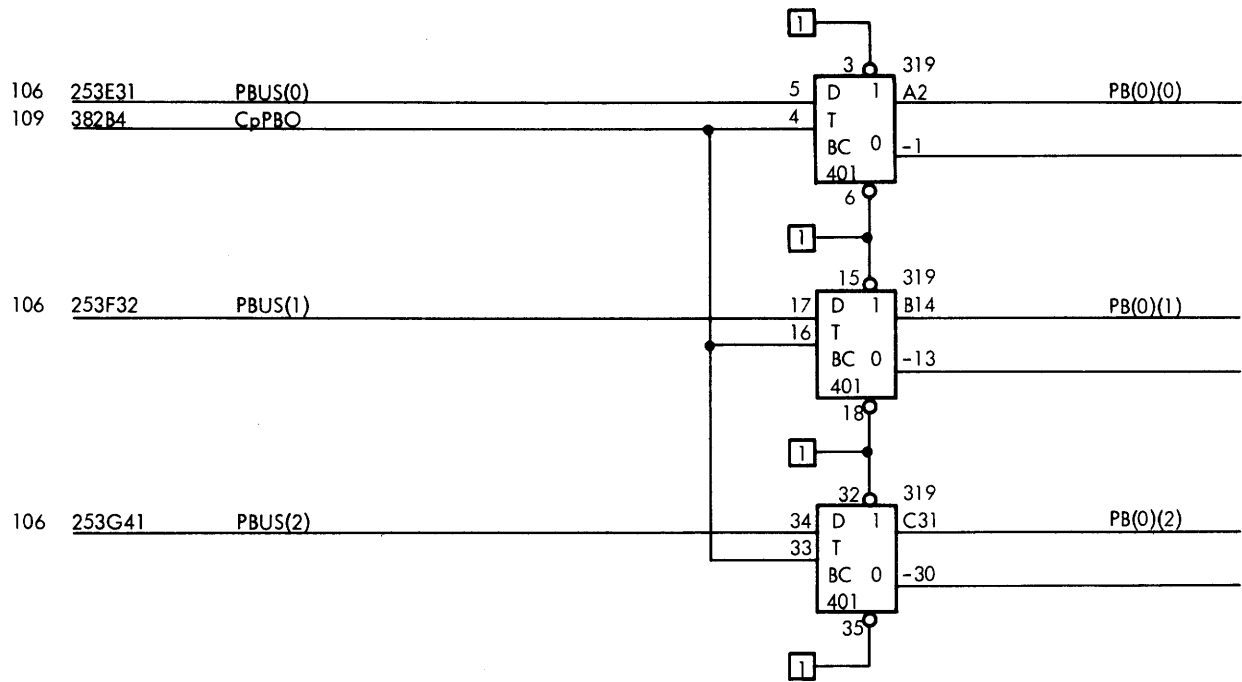
RC4000

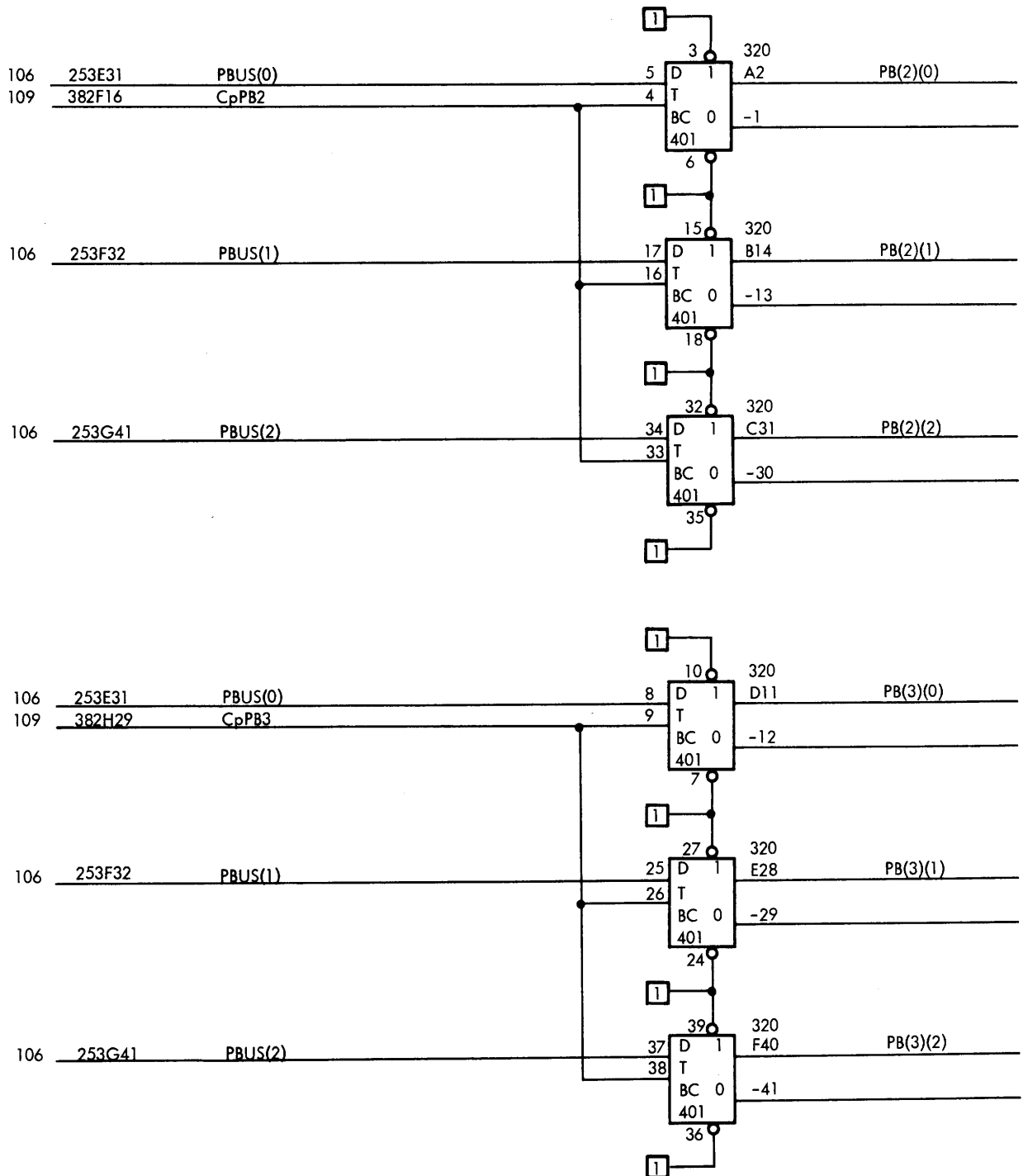
V10564

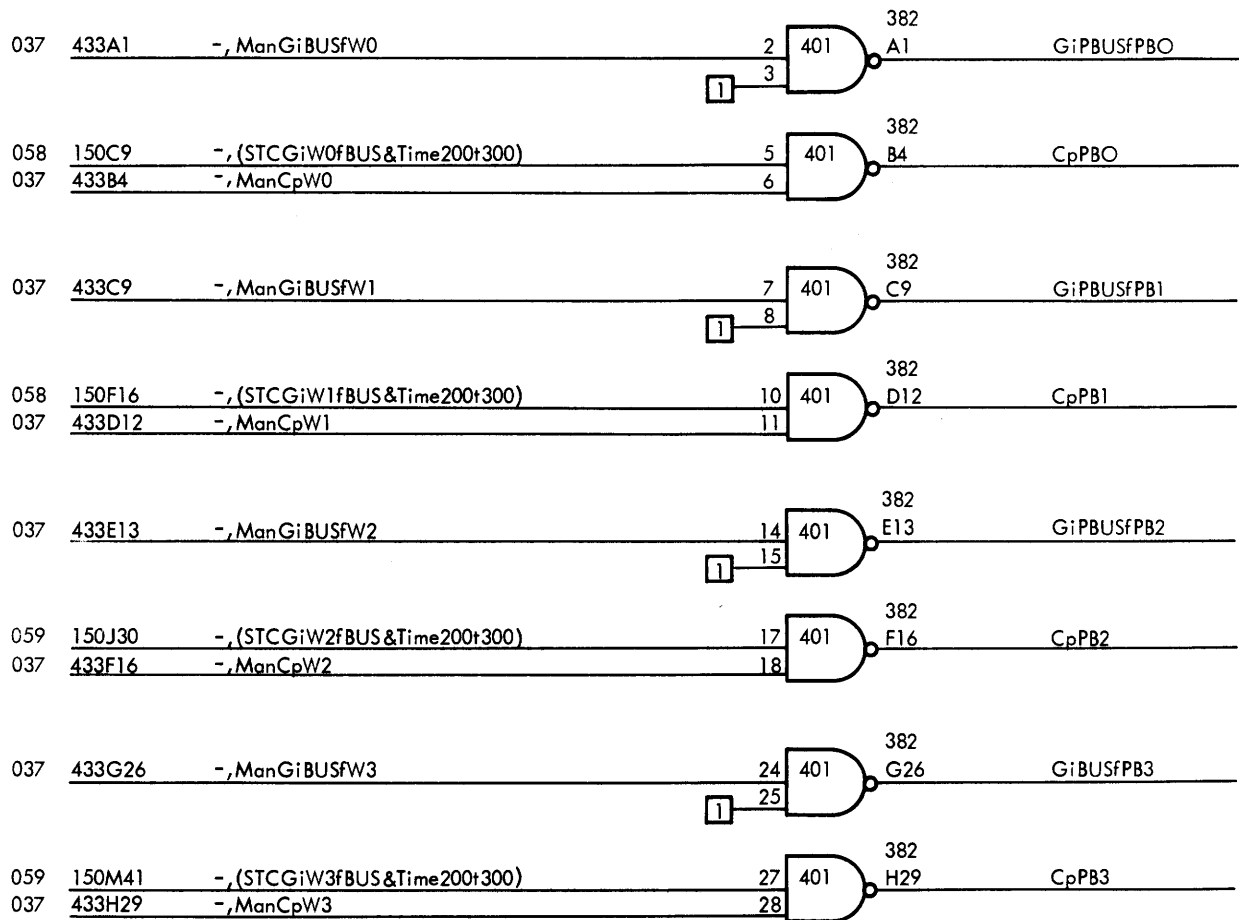
CONTROL OF PR AND PK

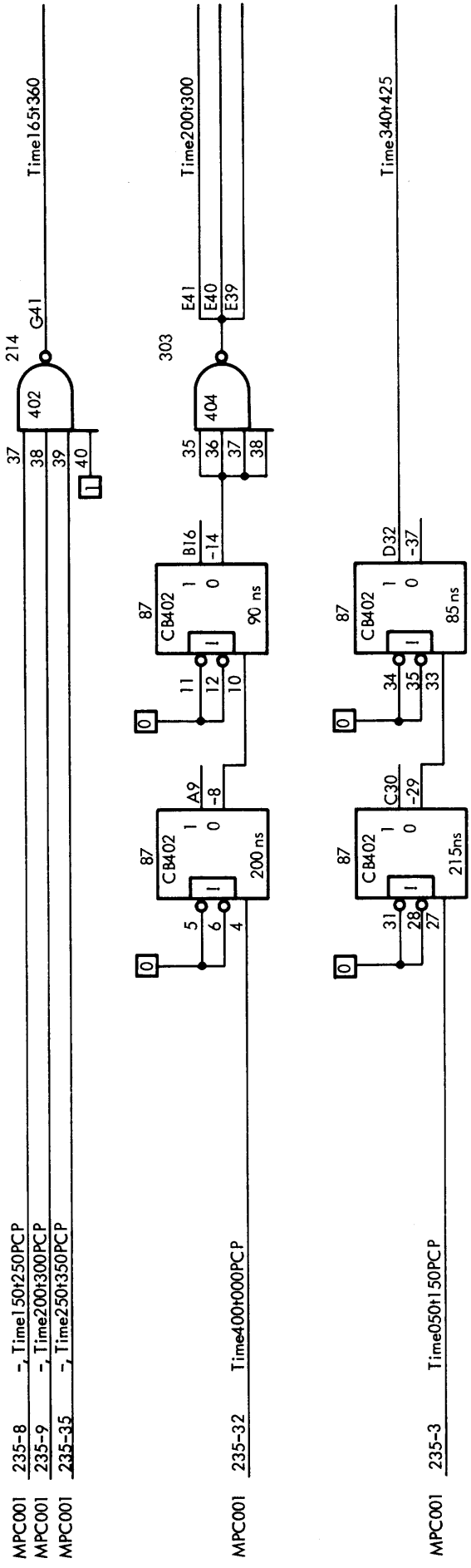
Logic Diagram













REGNECENTRALEN

SCANDINAVIAN INFORMATION PROCESSING SYSTEMS

FALKONERALLE 1 · DK 2000 COPENHAGEN F
DENMARK — TELEPHONE: (01) 10 53 66
CABLES: REGNECENTRALEN · TELEX: 62 82 RC HQ DK