
RCSL No: 44-RT1983
Edition: February 1981
Author: Mogens V. Pedersen

Title:

POW 740 Power Supply
Technical Manual

Keywords:

RC700, RC762, POW 740, Power Supply.

Abstract:

This paper contains the technical manual for POW 740 power supply to RC762 floppy disk drive.

(10 printed pages)

**Copyright © 1981, A/S Regnecentralen af 1979
RC Computer A/S**

Printed by A/S Regnecentralen af 1979, Copenhagen

Users of this manual are cautioned that the specifications contained herein are subject to change by RC at any time without prior notice. RC is not responsible for typographical or arithmetic errors which may appear in this manual and shall not be responsible for any damages caused by reliance on any of the materials presented.

<u>TABLE OF CONTENTS</u>	<u>PAGE</u>
1. DESCRIPTION	1
Power Supply for Diskette Drive, POW740	2
RC899 Cable Lay Out	3
Connection 8" Disc Drive to RC equipment	4

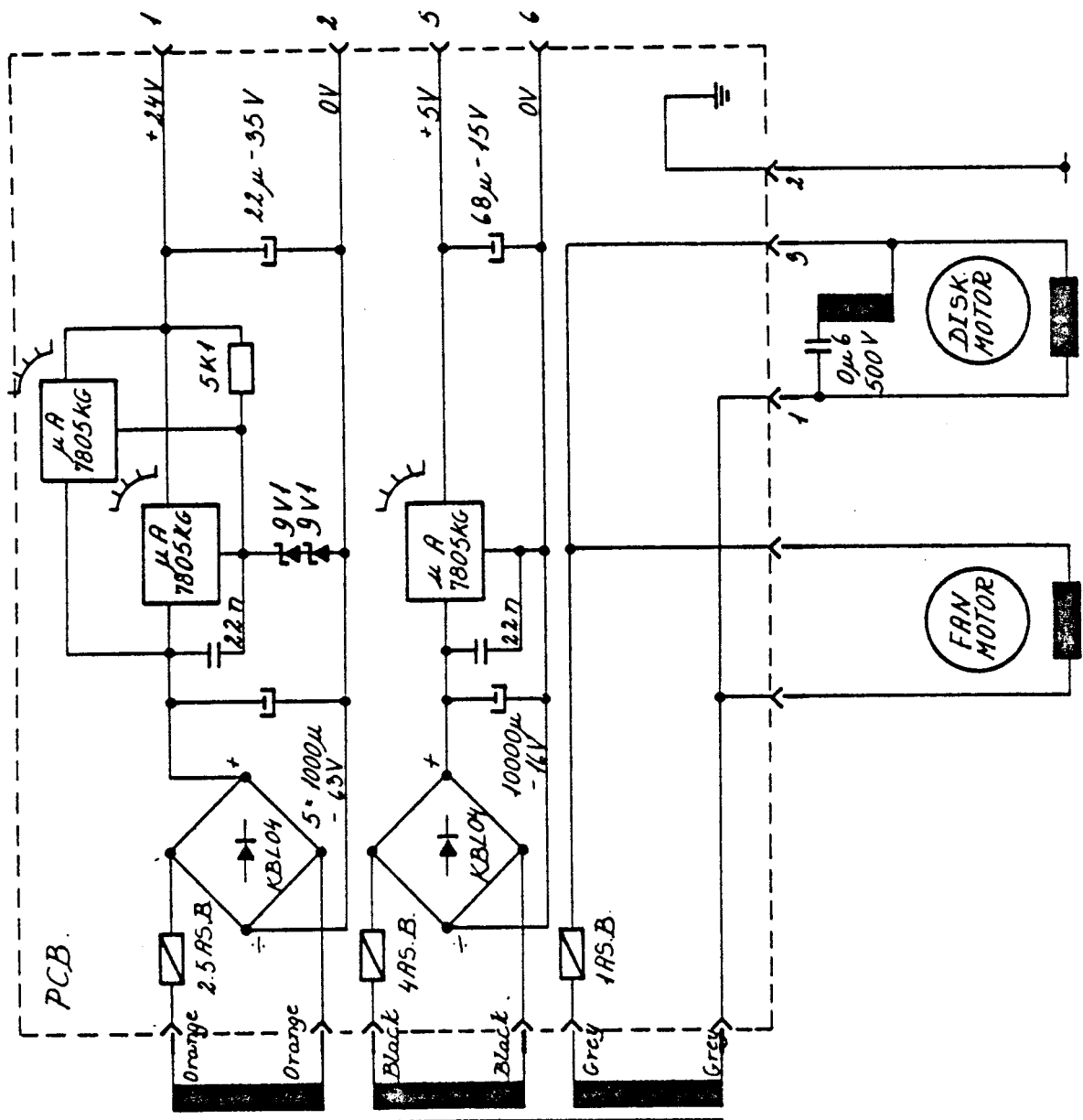
1. DESCRIPTION

1.

This paper contains the circuit diagram for the POW740 power supply used to supply the RC762 Floppy disk drive to RC702 microcomputer system.

The paper also contains a description of the cable connecting the floppy disk to RC702.

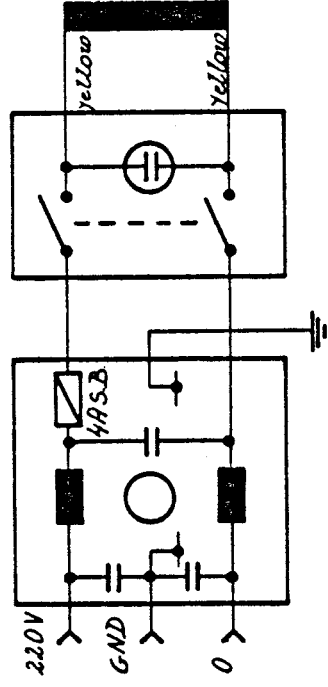
FOR DISKETTE DRIVE.

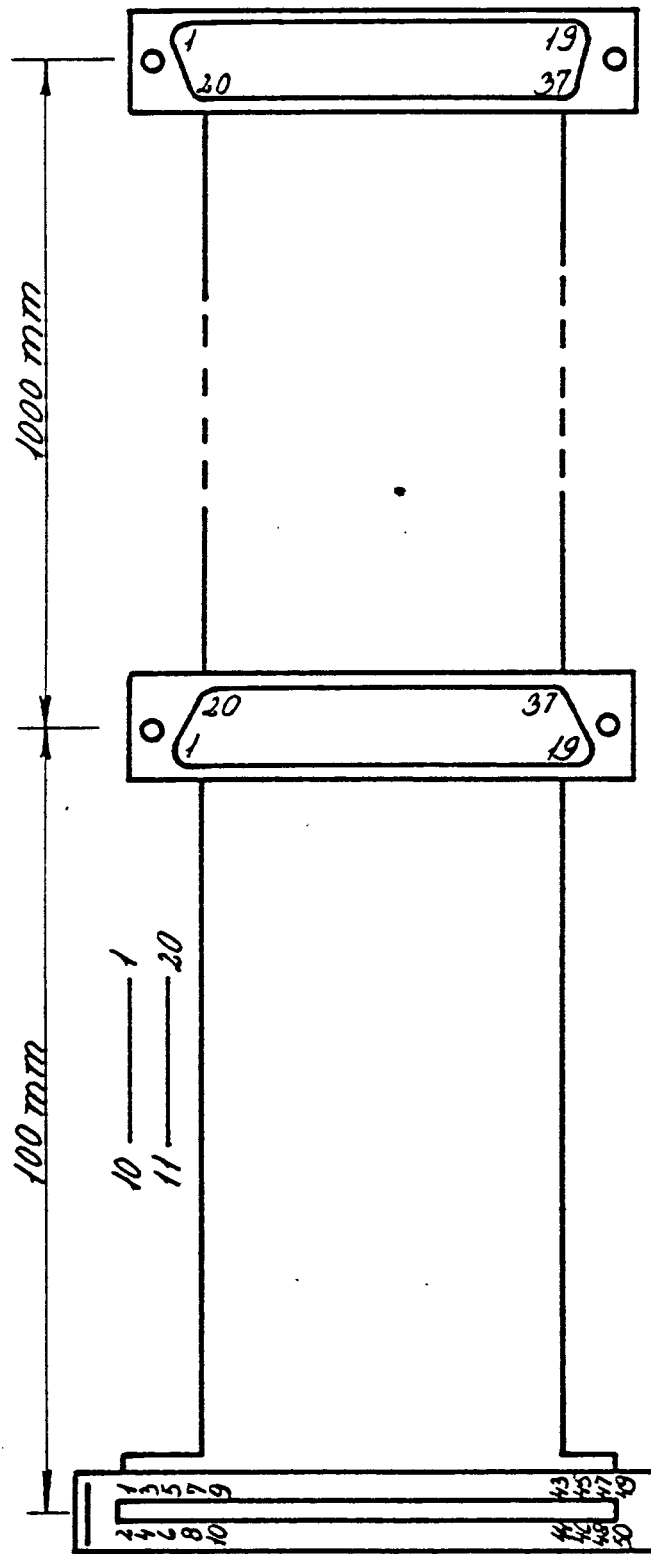


TRANSFORMER
DK 5439

SCAFFNER
FN 365-2/05

DOT 82/626





POW 740

RC 899 CABLE LAY OUT.

R21333

8" DISC DRIVE				37 POL CANNON	
SIGNAL Return	SIGNAL	SIGNALNAME	DIRECTION	SIGNAL Return	SIGNAL
1	2				
3	4				
5	6				
7	8				
9	10	TWO SIDED	→	20	1
11	12			21	2
13	14	SIDE SELECT	←	22	3
15	16	LOW CURRENT	←	23	4
17	18	HEAD LOAD	←	24	5
19	20	INDEX	→	25	6
21	22	READY	→	26	7
23	24	MOTOR EN		27	8
25	26	DRIVE SEL 0	←	28	9
27	28	" " 1	←	29	10
29	30	" " 2	←	30	11
31	32	" " 3	←	31	12
33	34	DIRECTION SEL	←	32	13
35	36	STEP	←	33	14
37	38	WRITE DATA	←	34	15
39	40	WRITE GATE	←	35	16
41	42	TRACK 00	→	36	17
43	44	WRITE PROT	→	37	18
45	46	READ DATA	→		19
47	48				
49	50				

CONNECTION 8" DISK DRIVE TO RC EQUIPMENT

RETURN LETTER

Title: POW 740 Power Supply
Technical Manual

RCSL No.: 44-RT1983

A/S Regnecentralen af 1979/RC Computer A/S maintains a continual effort to improve the quality and usefulness of its publications. To do this effectively we need user feedback, your critical evaluation of this manual.

Please comment on this manual's completeness, accuracy, organization, usability, and readability:

Do you find errors in this manual? If so, specify by page.

How can this manual be improved?

Other comments?

Name: _____ Title: _____

Company: _____

Address: _____

Date: _____

Thank you

..... Fold here

..... Do not tear - Fold here and staple

Affix
postage
here

 **REGNECENTRALEN**
af 1979

Information Department
Lautrupbjerg 1
DK-2750 Ballerup
Denmark