

TOPIC: C-024

YOUR REF.

OUR REF. LEB/CBA

DATE 21st December, 1981

Dear Sirs,

"Bad Sectors" on Floppy Discs in the RC 700-System

Lately we have found that the use of "Dual Density" on the Mini - as well as the Maxi Floppy Discs in the RC 700-Systems may cause "Bad Sectors".

To ensure a safe operation in Dual Density a New Field Change Order (FCO 19-008) will be released. The implementation of this FCO together with FCO 19-009 will ensure a safe operation.

The kit for FCO 19-008 consists of a "Satellite print", DSP 701, a small cable, CBL 980, and some tape. The "satellite print" is to be installed in IC Pos. 7 and Pos. 17 (see fig. 1). The Print consists of a new Data Separator Circuit for the Floppy Disc Controller (see fig. 2 and 3).

The production of the FCO-kits is rather expensive, for which reason we kindly ask you to inform us of the number of kits needed in your area as soon as possible.

A limited number of the FCO-kits will be available in January 1982.

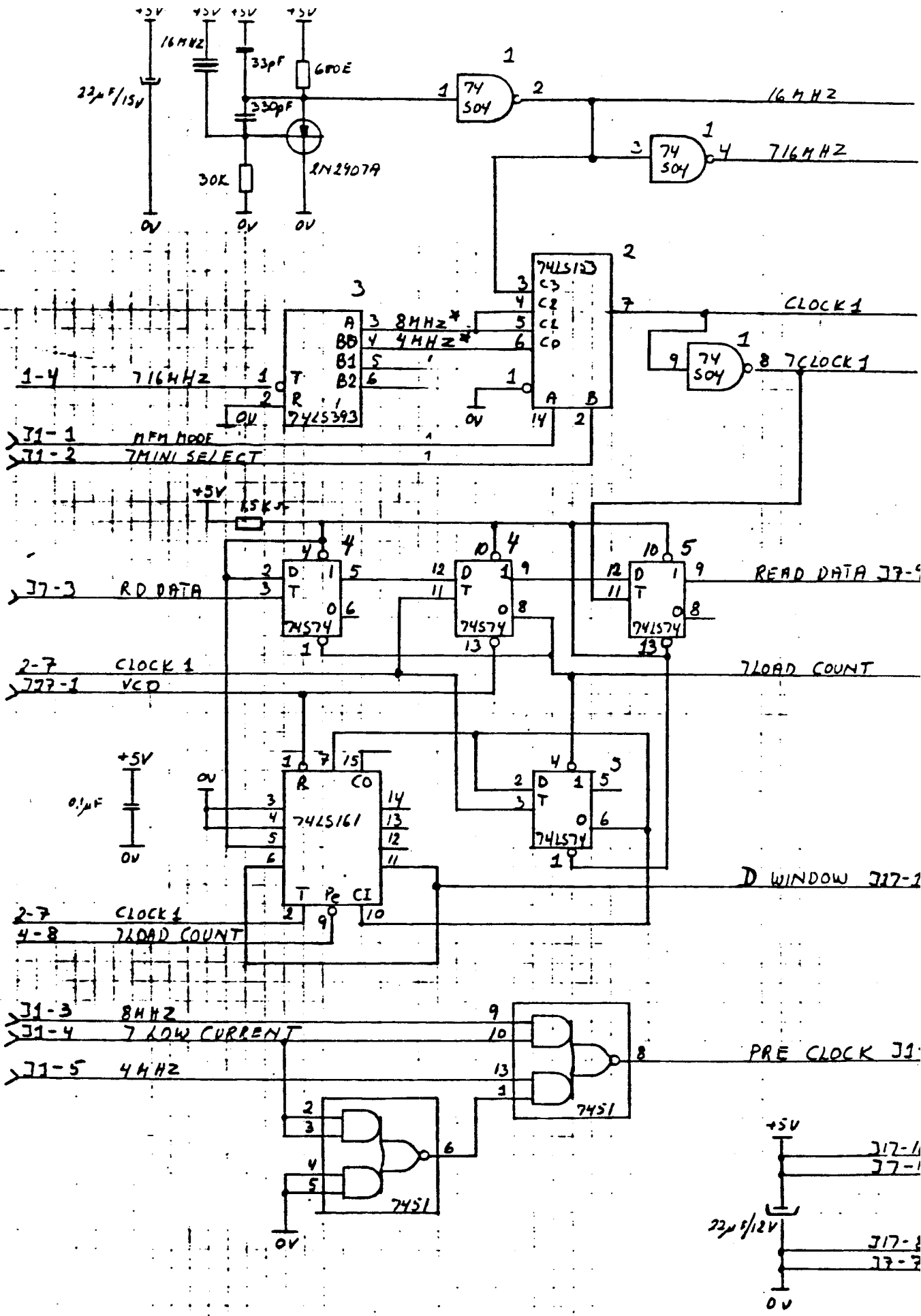
Best regards,  
RC COMPUTER A/S



Leif Braae  
International Technical Service

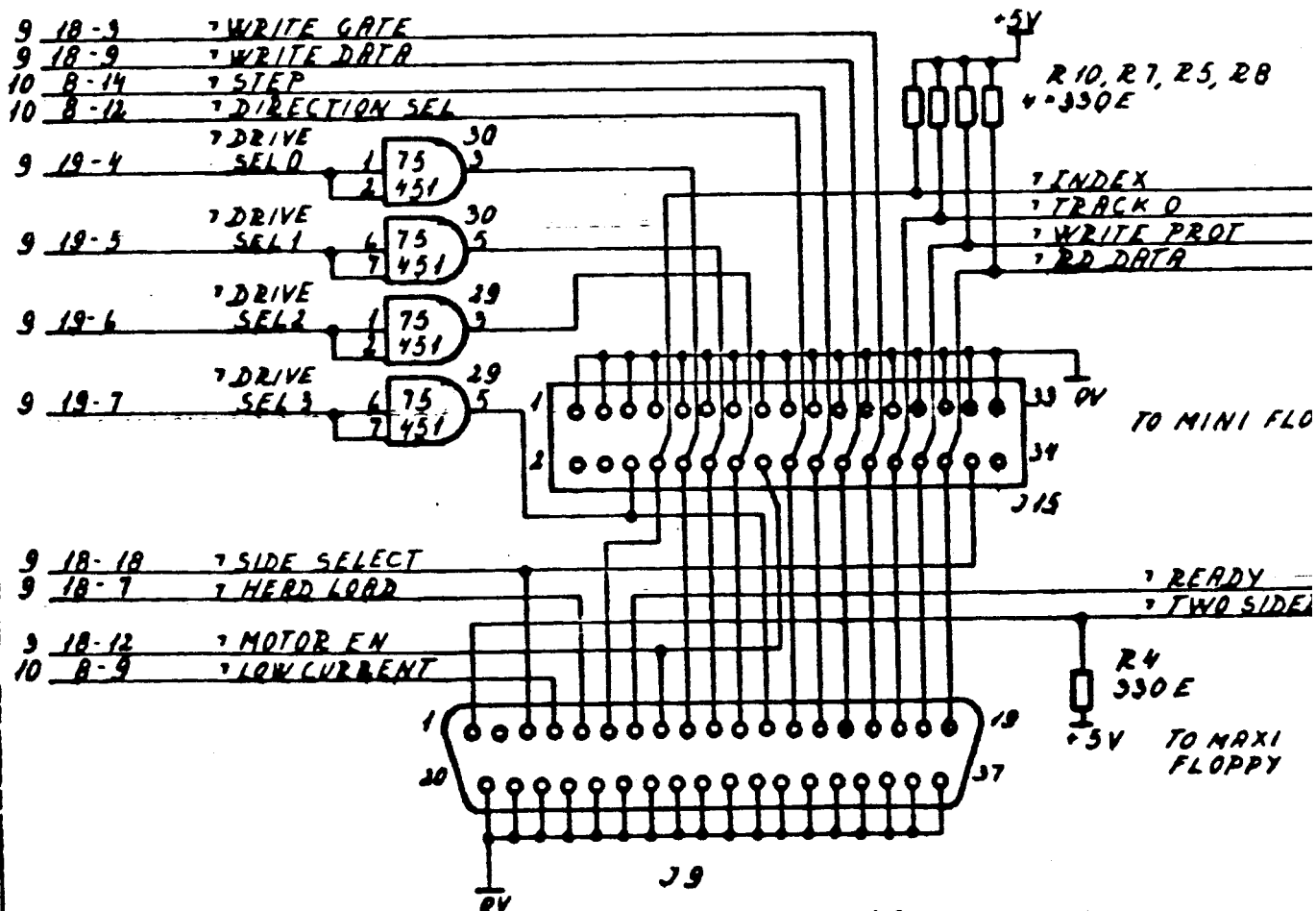
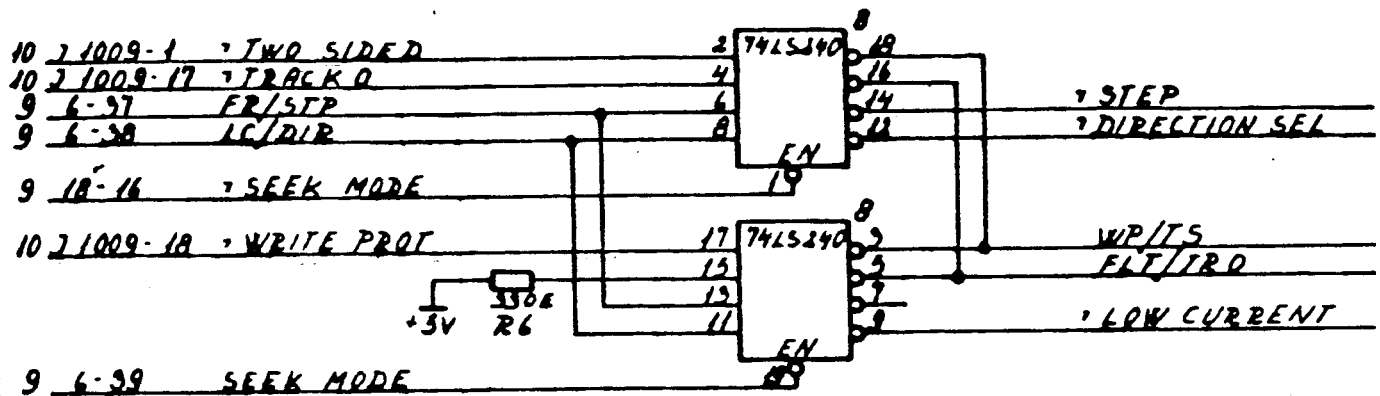
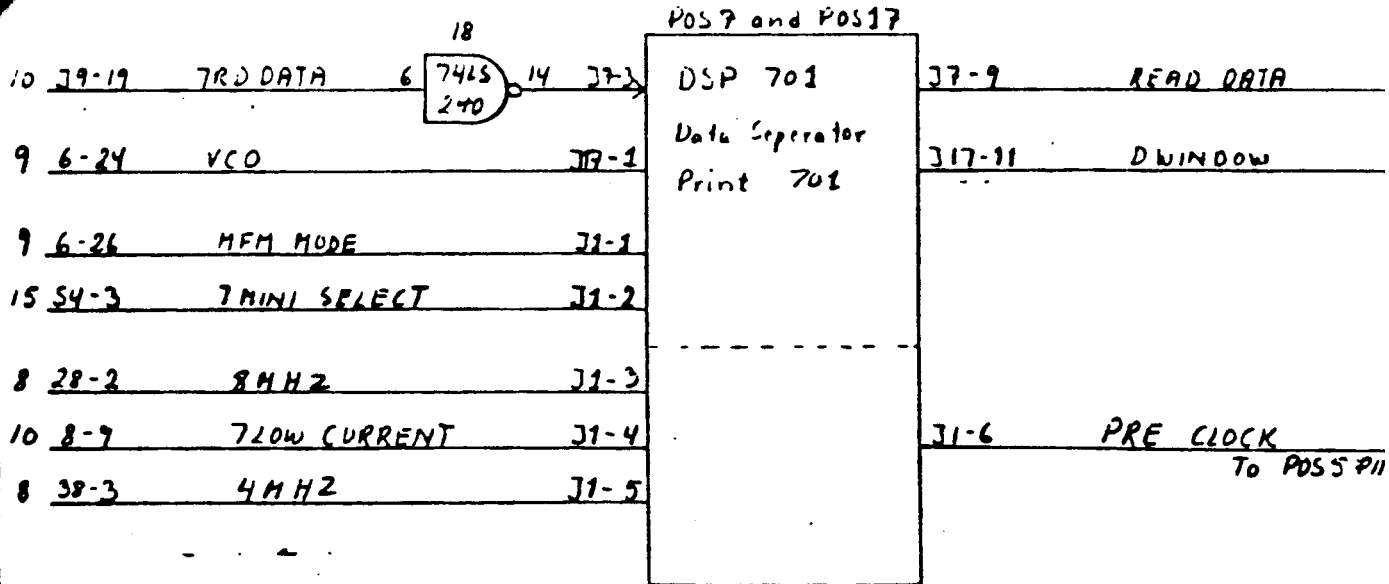
Encl.: fig. 1, DSP 701 Mounted on MIC 703,  
fig. 2, Data Separator Print DSP 701,  
fig. 3, Floppy Disc Read & Select Circuit





A/S REP-CENTRALEN  
 Designed by  
 Drawn by  
 Check  
 Design Check  
 Replaces Desig. No.  
 due to ECM  
 Drawn by Desig. No.

Unit	DATA SEPARATOR PRINT DSP701	
Desig. No.		



MVP RGA  
80.08.14

MIC 702  
R 19086

FLOPPY DISK READER SELECT CIRCUIT

MIC