

Title:

POW 817

 **REGNECENTRALEN**

RC SYSTEM LIBRARY: FALKONERALLE 1 DK-2000 COPENHAGEN F

RCSL No: 52 AA-863

Edition: December 1978

Author: Villy Hansen

Keywords:

POW 817, ADJUSTABLE -5V REGULATOR

Abstract:

This publication contains main
characteristics and drawings for
POW 817

Copyright A/S Regnecentralen, 1978
Printed by A/S Regnecentralen, Copenhagen

Users of this manual are cautioned that the specifications contained herein are subject to change by RC at any time without prior notice. RC is not responsible for typographical or arithmetic errors which may appear in this manual and shall not be responsible for any damages caused by reliance on any of the materials presented.

M A I N C H A R A C T E R I S T I C S

OUTPUT VOLTAGE: -5V dc (adjustable typical
within -1.2V to -5.6V)

INPUT VOLTAGE: -8V dc to -18V dc

POWER DISSIPATION: 1.4W

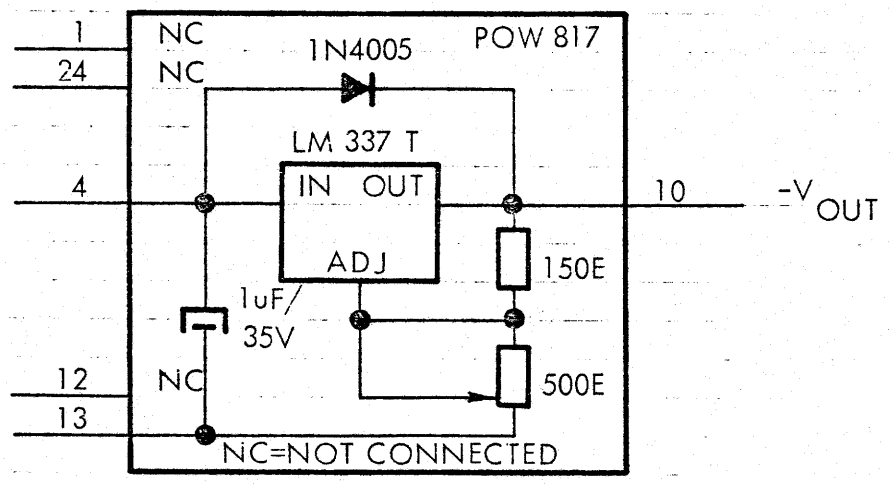
AMBIENT TEMPERATURE: 10 - 40°C

PHYSICAL DIMENSIONS: 24-Pins DIP compatible

Replaces Dwg. No. _____
 due to ECH
 Design Check
 Dwg. Office Check
 781219 ABP
 781207 VH
 POW 817
 -5V ADJUSTABLE REGULATOR

$-V_{IN}$

0 VOLT



POW 817

-5V ADJUSTABLE REGULATOR