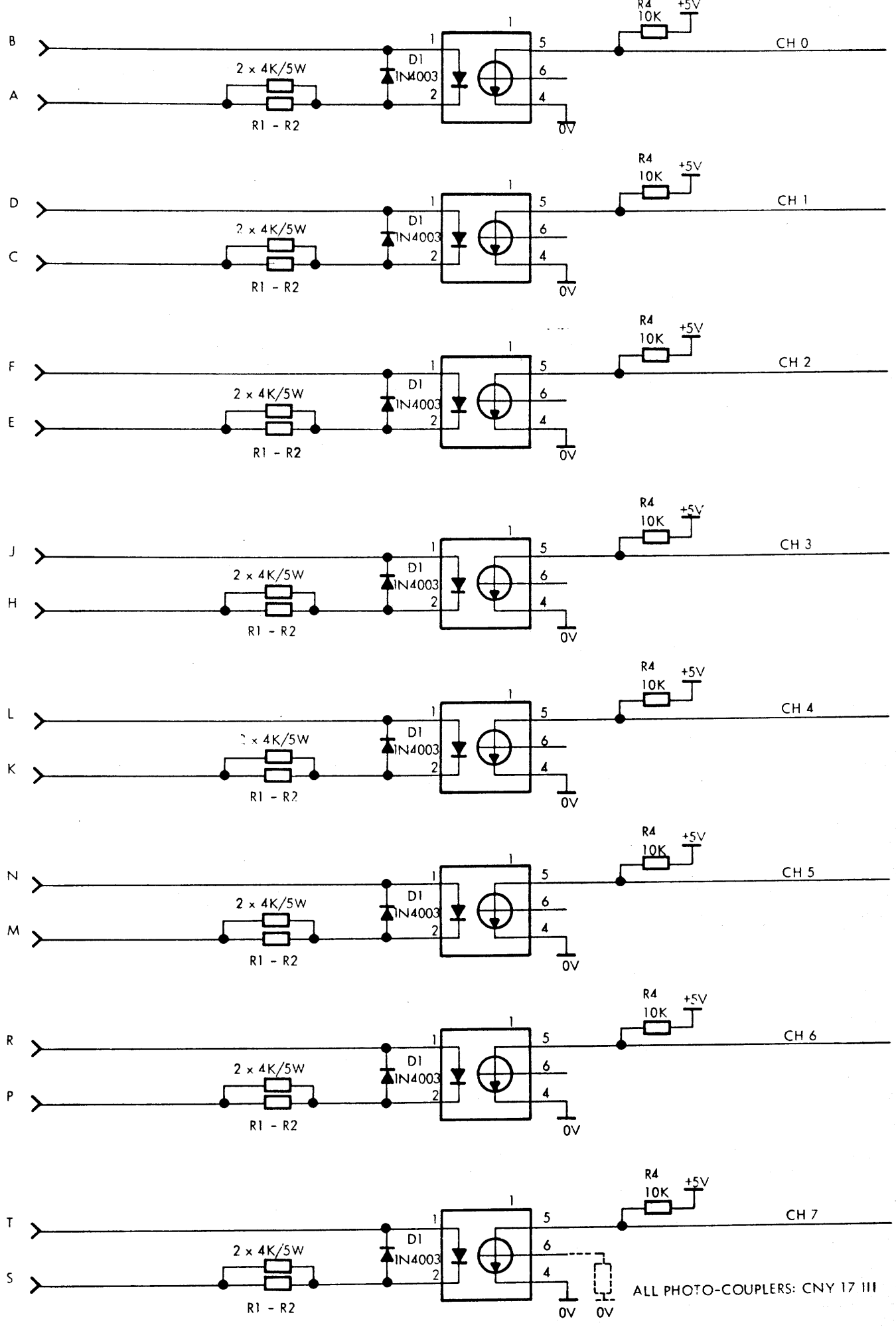
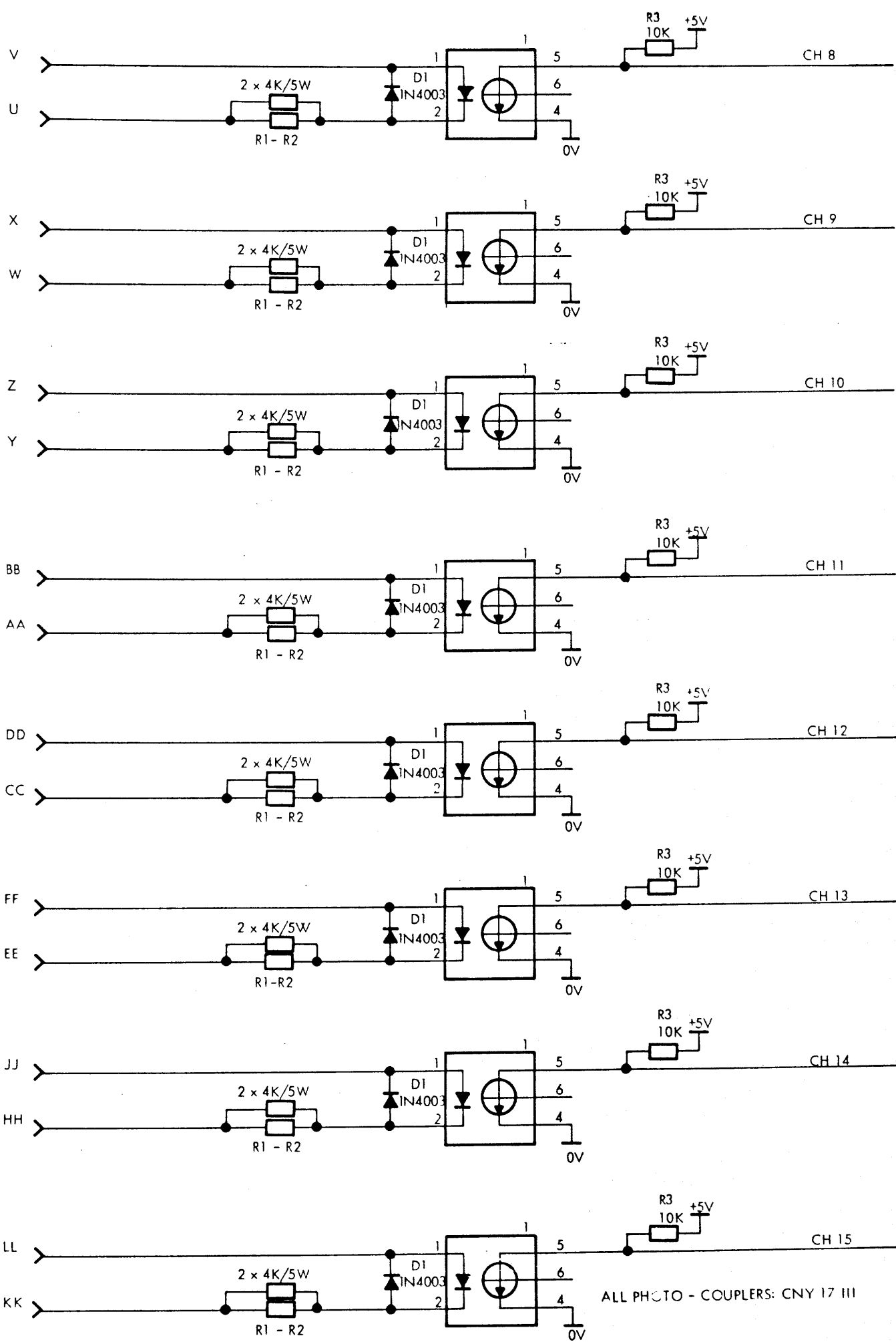


790710 HM 750403 ABP

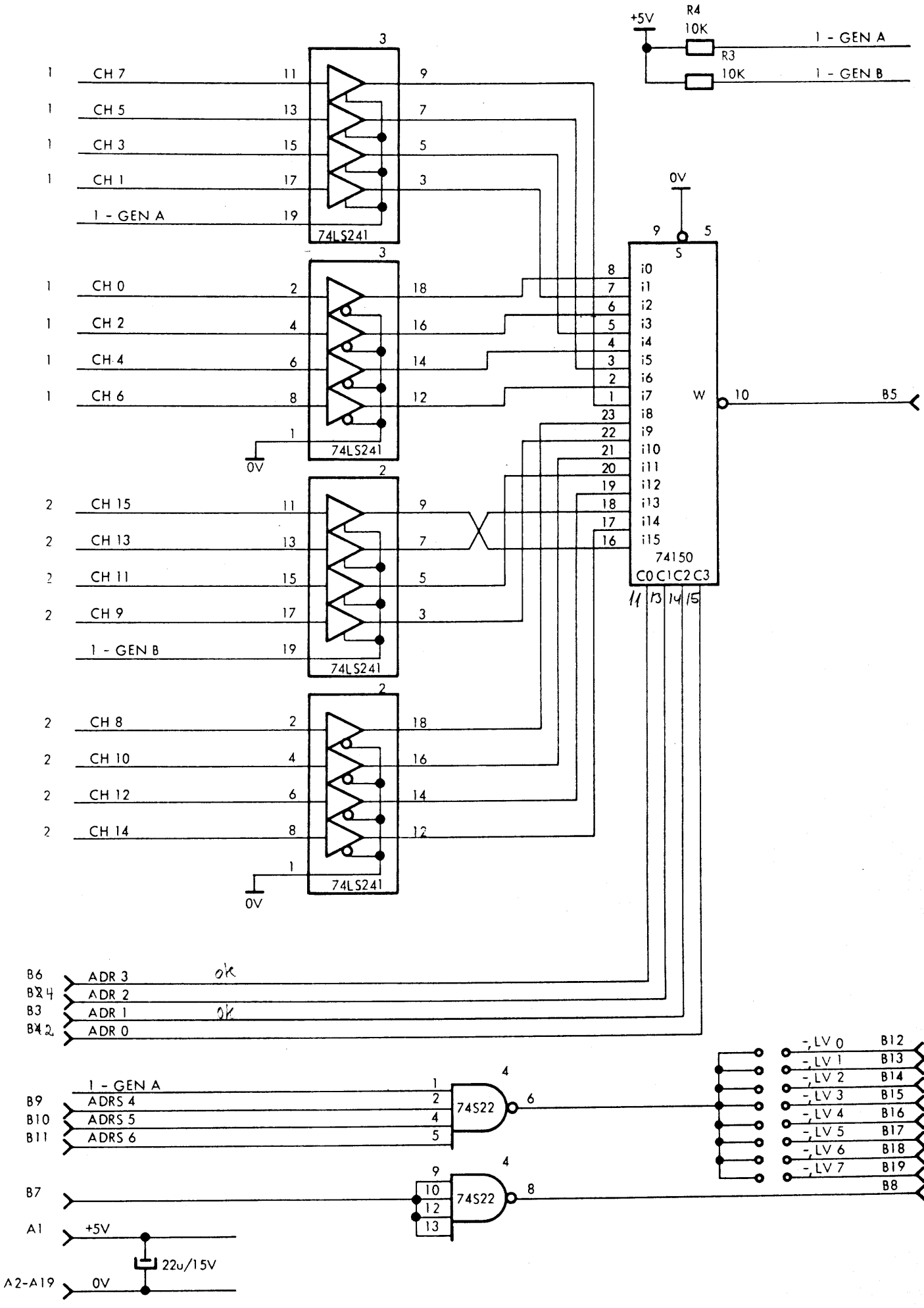


ALL PHOTO-COUPPLERS: CNY 17 III

790210 HM 790402 ABP



790210 HM 7:0402 ABP



EIM 100
A13732

INPUT MODULE
CHANNEL MULTIPLEXER
Circuit Diagram

RCSL:52-AA95
A/S REGNENTRALEN

Designed by 800923 GR
 Drawn by 800923 LLM
 Dwg. Office Check
 Design Check
 Replaces Dwg. No.
 due to ECN
 Replaced by Dwg. No.

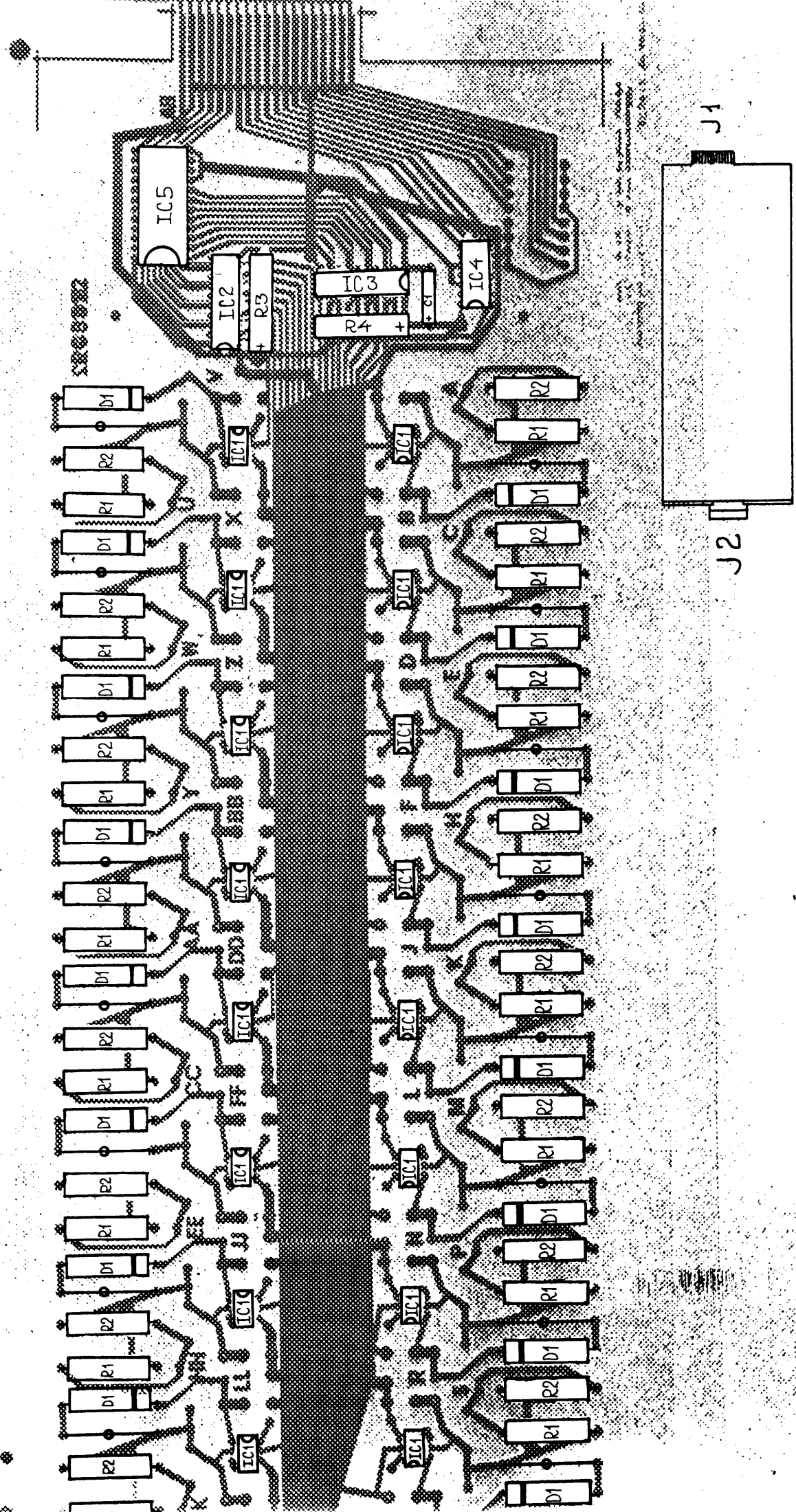
J2
 ELCO Varilock Receptacle, type 8016-038, code -

PIN	GEN_ADR	SIGNAL NAME
A		CH 0 Return
B		CH 0
C		CH 1 Return
D		CH 1
E		CH 2 Return
F		CH 2
H		CH 3 Return
J		CH 3
K		CH 4 Return
L		CH 4
M		CH 5 Return
N		CH 5
P		CH 6 Return
R		CH 6
S		CH 7 Return
T		CH 7
U		CH 8 Return
V		CH 8
W		CH 9 Return
X		CH 9
Y		CH 10 Return
Z		CH 10
AA		CH 11 Return
BB		CH 11
CC		CH 12 Return
DD		CH 12
EE		CH 13 Return
FF		CH 13
HH		CH 14 Return
JJ		CH 14
KK		CH 15 Return
LL		CH 15
MM		
NN		
PP		
RR		
SS		
TT		

Urit	
EIM 100	
Dwg. No.	A 25917

Jacklist

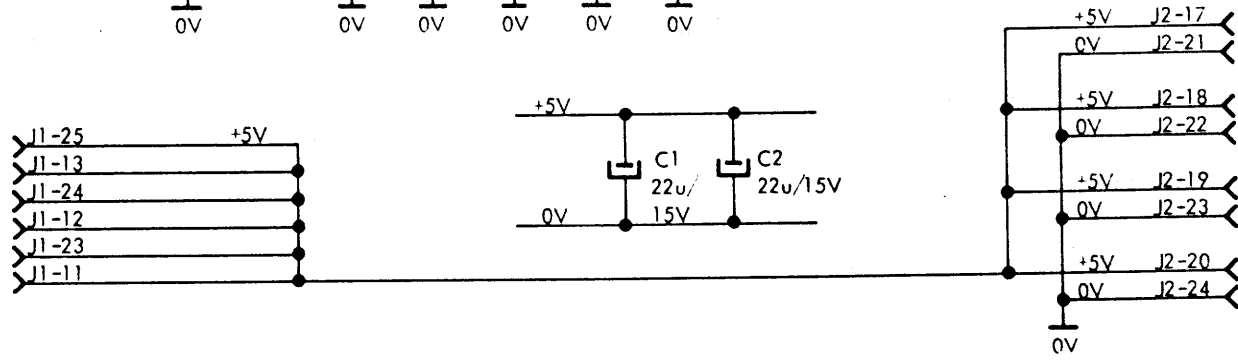
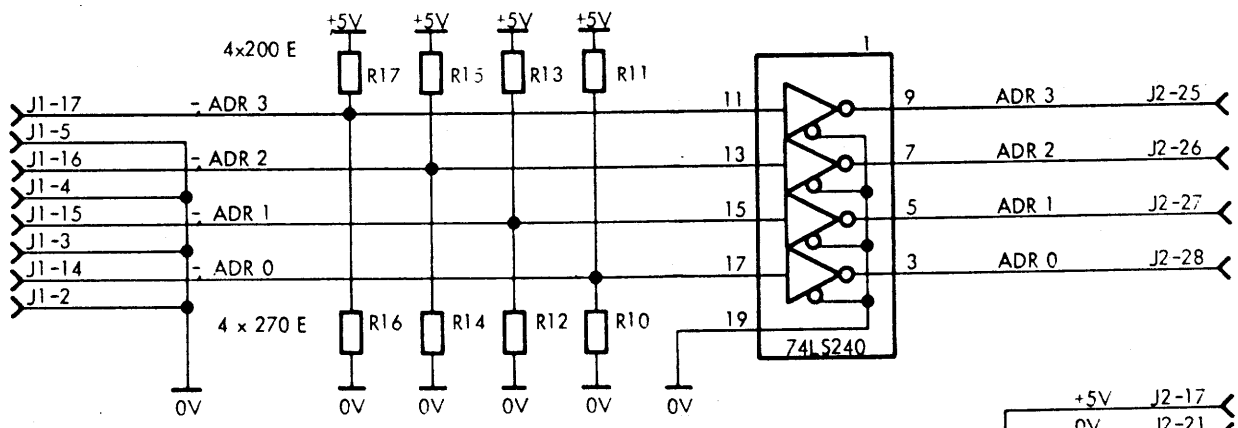
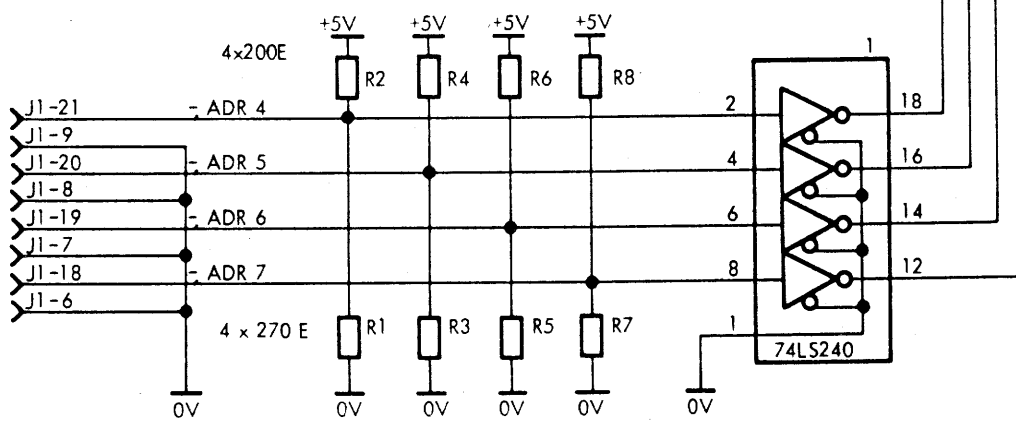
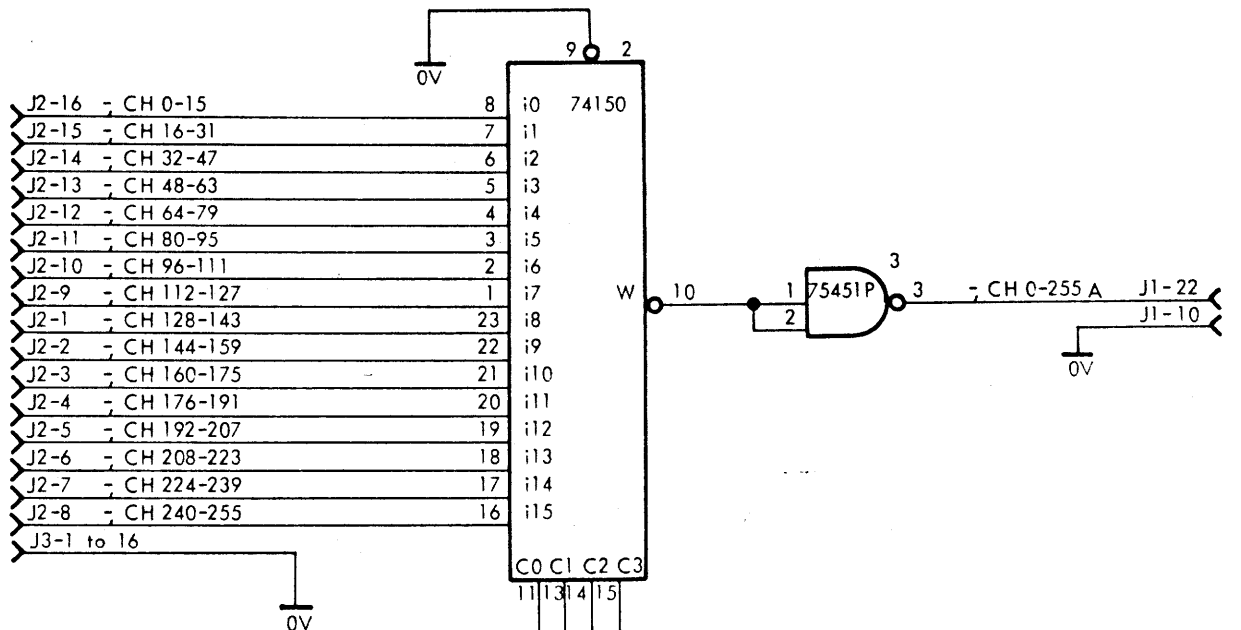
J 2



PCB ASSEMBLY DRAWING RC3422

EIM100

A13628

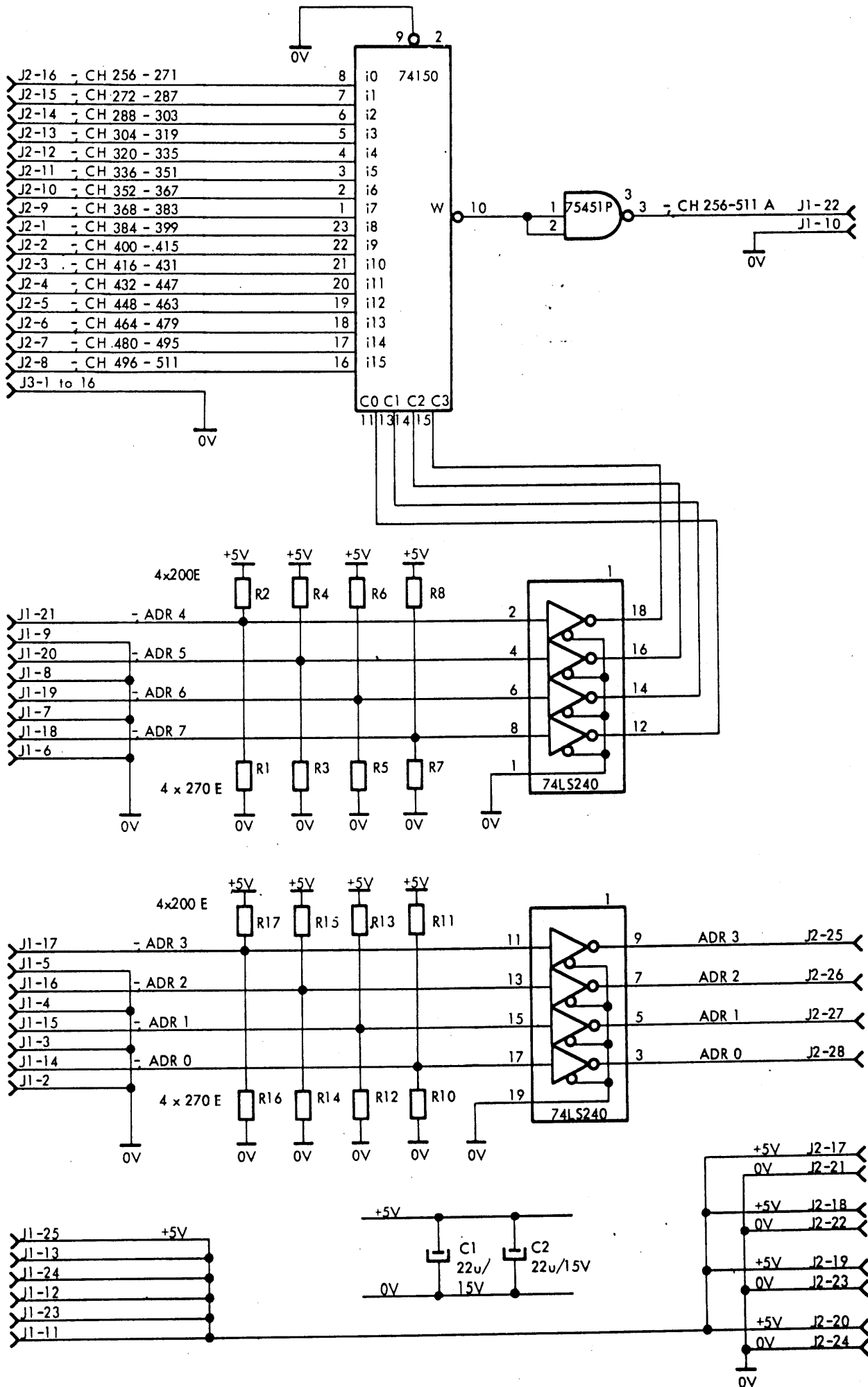


HM/NBL 800822 LLM REV. 810409 LLM

DBSL: 064

800904 GR 800905 LLM REV. 810409 LLM

J1 ITT Cannon, type DB - 25P		
PIN	GEN. ADR.	SIGNAL NAME
1		0V
2		0V
3		0V
4		0V
5		0V
6		0V
7		0V
8		0V
9		0V
10		0V
11		+ 5V
12		+ 5V
13		+ 5V
14		- ADR 0
15		- ADR 1
16		- ADR 2
17		- ADR 3
18		- ADR 7
19		- ADR 6
20		- ADR 5
21		- ADR 4
22		- CH 0 - 255 A
23		+ 5V
24		+ 5V
25		+ 5V

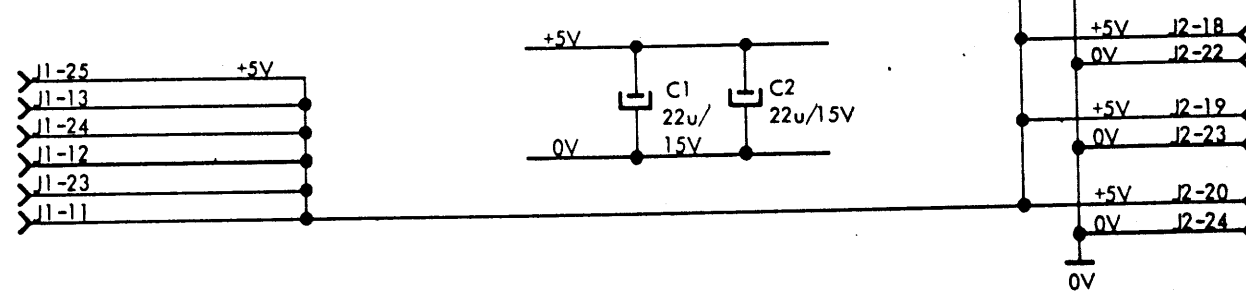
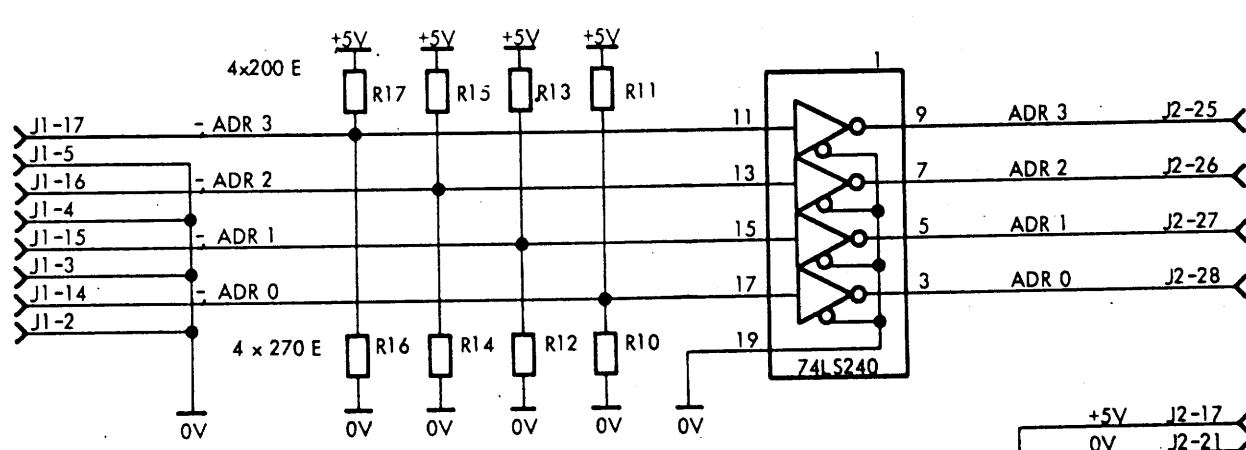
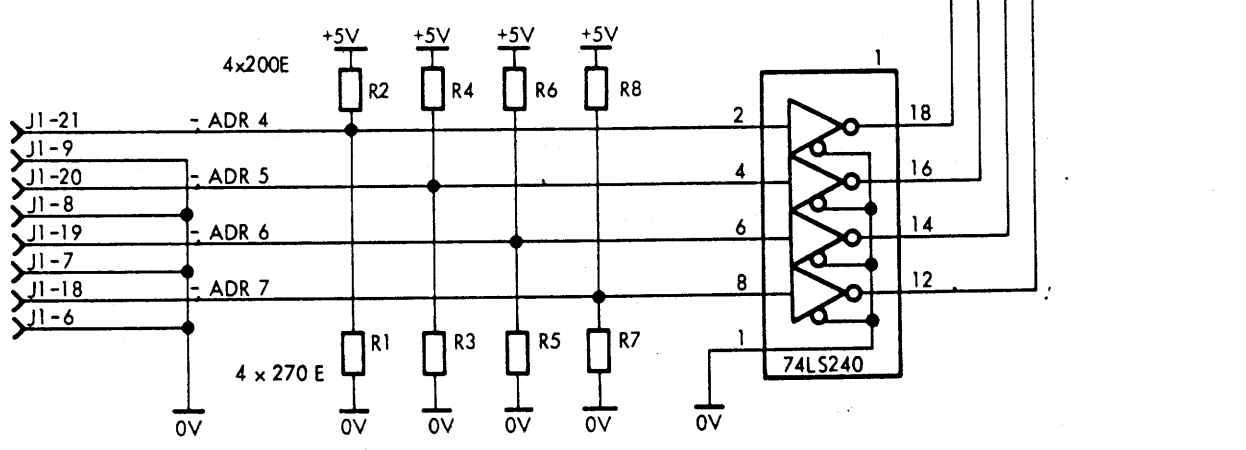
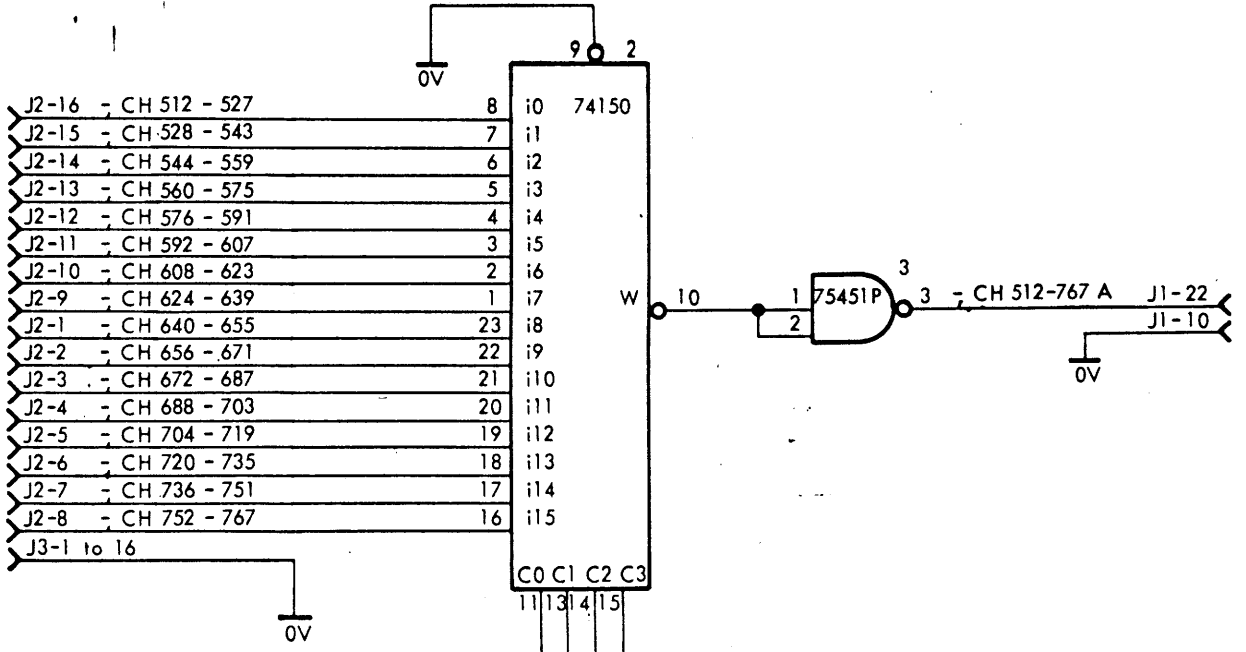


HM/NBL 800822 LLM REV. 810409 LLM

DBSL: 064

800904 GR 800905 LLM REV. 810409 LLM

J1 ITT Cannon, type DB - 25 P		
PIN	GEN. ADR.	SIGNAL NAME
1		0V
2		0V
3		0V
4		0V
5		0V
6		0V
7		0V
8		0V
9		0V
10		0V
11		+ 5V
12		+ 5V
13		+ 5V
14		- ADR 0
15		- ADR 1
16		- ADR 2
17		- ADR 3
18		- ADR 7
19		- ADR 6
20		- ADR 5
21		- ADR 4
22		- CH 256 - 511 A
23		+ 5V
24		+ 5V
25		+ 5V

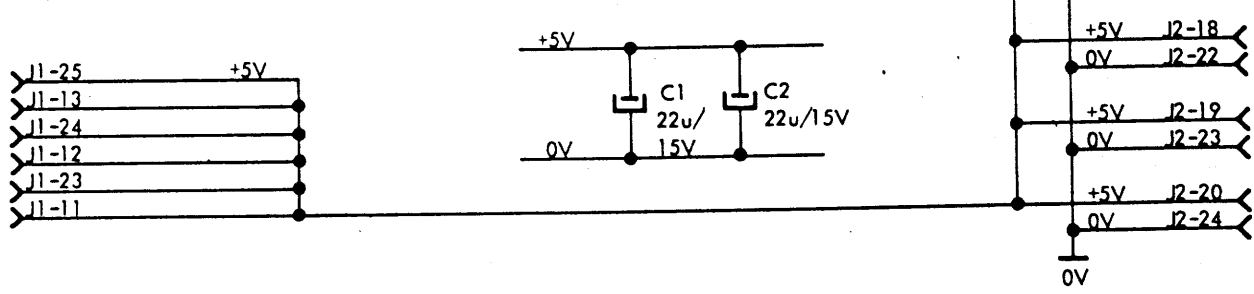
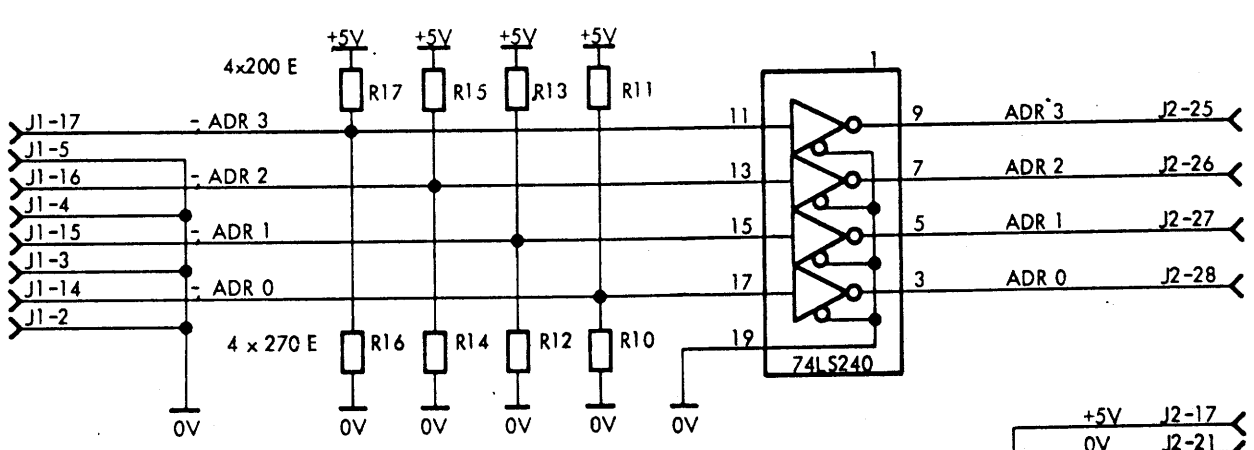
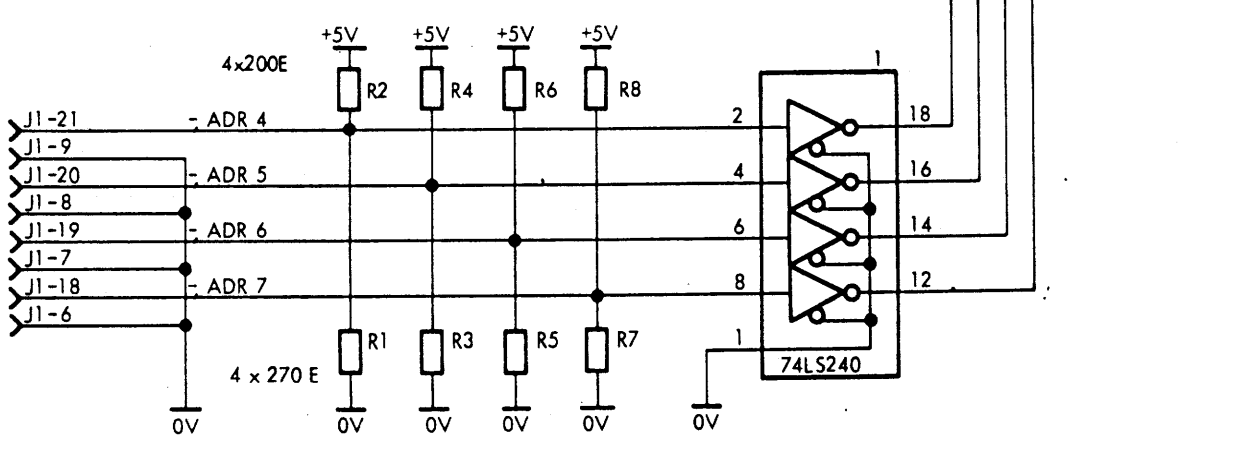
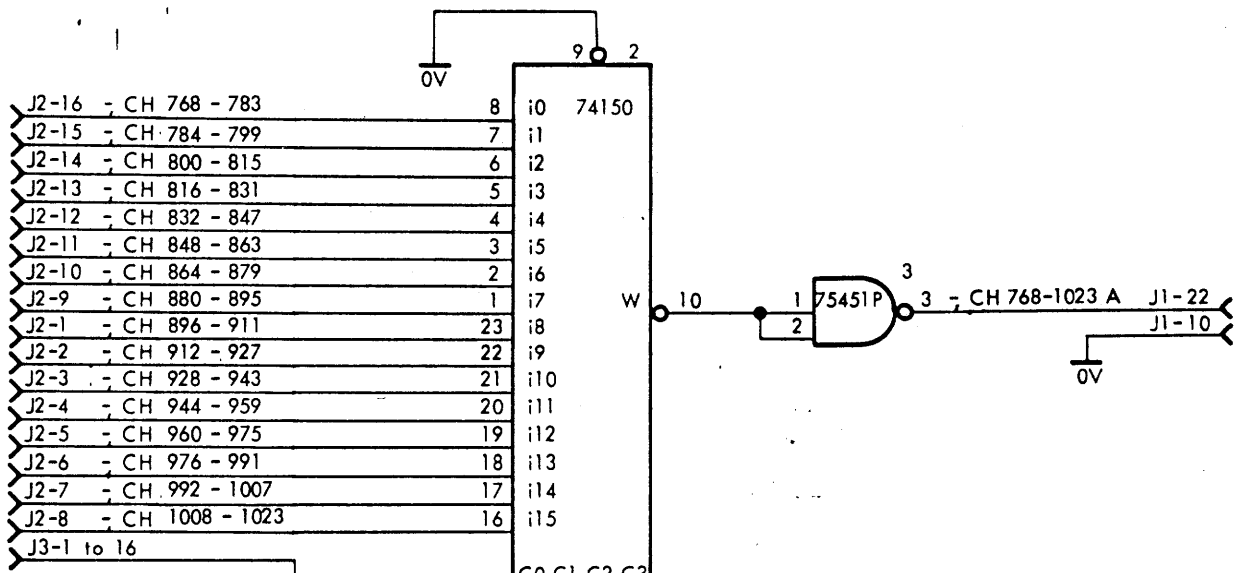


HM/NBL 800822 LLM REV. 810409 LLM

DBSL: 064

800904 GR 800905 LLM REV. 810409 LLM

J1 ITT Cannon, type DB - 25 P		
PIN	GEN. ADR.	SIGNAL NAME
1		0V
2		0V
3		0V
4		0V
5		0V
6		0V
7		0V
8		0V
9		0V
10		0V
11		+ 5V
12		+ 5V
13		+ 5V
14		- ADR 0
15		- ADR 1
16		- ADR 2
17		- ADR 3
18		- ADR 7
19		- ADR 6
20		- ADR 5
21		- ADR 4
22		- CH 512 - 767 A
23		+ 5V
24		+ 5V
25		+ 5V



HM/NBL 800822 LLM REV. 810409 LLM

DBSL: 064

800904 GR

800905 LLM

REV. 810409 LLM

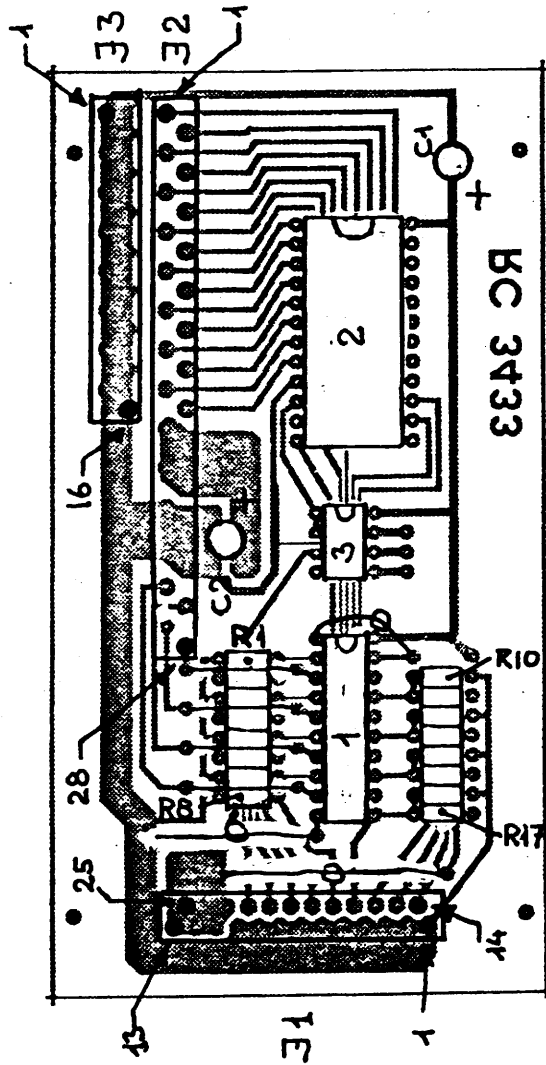
J1 ITT Cannon, type DB - 25 P		
PIN	GEN. ADR.	SIGNAL NAME
1		0V
2		0V
3		0V
4		0V
5		0V
6		0V
7		0V
8		0V
9		0V
10		0V
11		+ 5V
12		+ 5V
13		+ 5V
14		- ADR 0
15		- ADR 1
16		- ADR 2
17		- ADR 3
18		- ADR 7
19		- ADR 6
20		- ADR 5
21		- ADR 4
22		- CH 768 - 1023 A
23		+ 5V
24		+ 5V
25		+ 5V

EIR 103

A 25921

Jacklist

J1



EIR 101-103
A 25922

Channel Multiplexer Board
PCB Assembly Drawing

RC 3433