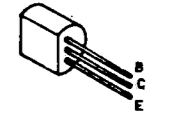
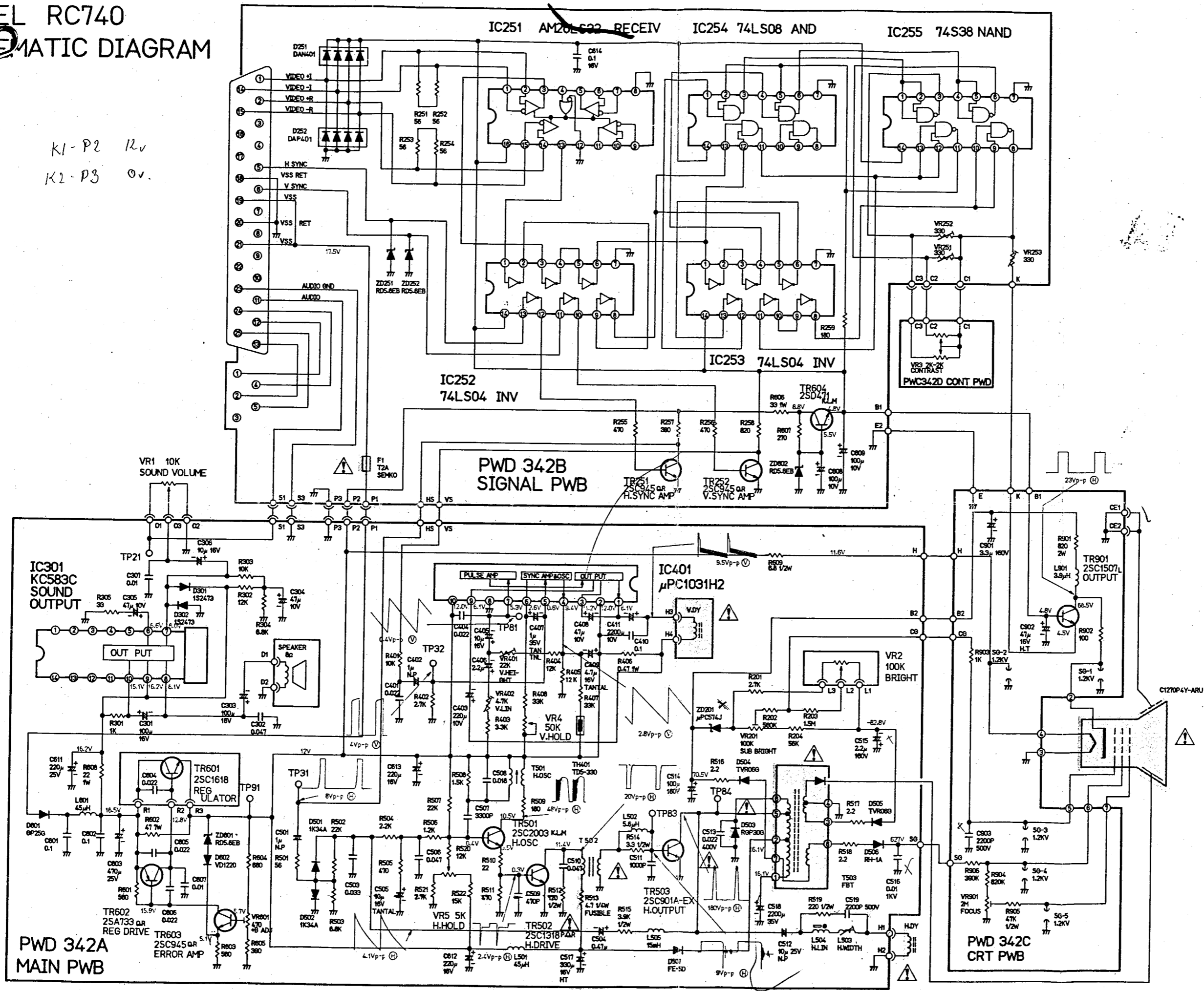


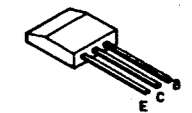
# MODEL RC740 SCHEMATIC DIAGRAM

RUN NO.1

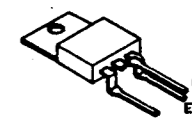
K1-P2 12V  
K2-P3 0V.



2SA733  
2SC945  
2SC1318  
2SC2003



2SD471



2SC1507



2SC1618  
2SC901A-EX

E.EMITTER  
B.BASE  
C.COLLECTOR

- NOTE
1. ALL RESISTORS ARE SHOWN IN OHMS  
K =  $10^3$  M =  $10^6$
  2. ALL RESISTORS ARE 1/4 WATT UNLESS OTHERWISE NOTED.
  3. CAPACITANCE VALUES ARE  $\mu$ F UNLESS OTHERWISE NOTED.
  4. ALL CAPACITORS ARE 50WV UNLESS OTHERWISE NOTED.
- REPLACEMENT PARTS WHICH HAVE SPECIAL SAFETY CHARACTERISTICS ARE IDENTIFIED BY SHADING IN THE SCHEMATICS. REPLACE THESE CRITICAL COMPONENTS WITH RECOMMENDED REPLACEMENT PARTS. DON'T DEGRADE THE SAFETY OF THE SET THROUGH IMPROPER SERVICING.

RC740  
78160951