
RCSL No: 99 0 00824

Edition: 1985.01.07

Author: Knud Erik Hansen

Title:

TECHNICAL MANUAL
for
MEX702

Keywords: RC759, PICCOLINE, MEX702, Technical Manual

Abstract: This paper contains all technical information about MEX702, Memory EXPansion module to RC759.

(12 printed pages)

<u>Table of contents</u>	<u>page</u>
1.0 Introduction.....	1
Fig. 1 Installation of MEX 702.....	2
2.0 Technical Description.....	3
3.0 Logic Diagram.....	3
Circuit Diagram.....Dwg. no. A14811	4
Fig. 3 P13 pluglist.....	5
Fig. 4 Assembly drawing.....	6

1.0

Introduction

1.0

The MEX702 (Memory EXpansion) module expands the ram memory capacity of RC759 with 128 kbytes. This module is placed as a "babyprint" inside to the central unit in connector J13 and power supplied from this connector. Figure 1 shous the installation of MEX702.

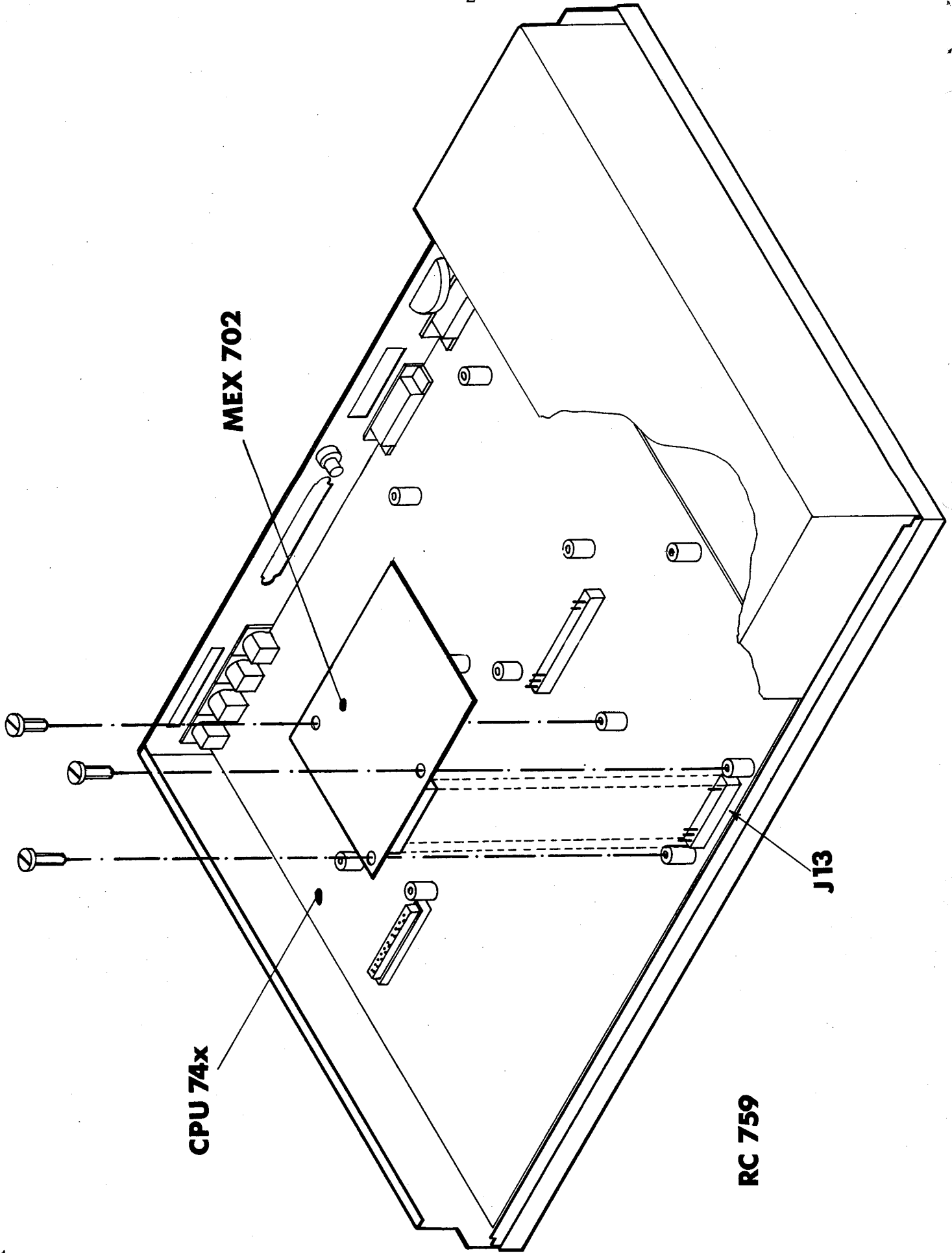


Fig. 1. Installation of MEX 702.

2.0 Technical Description

2.0

This module is placed in the memory address area 40000H - 60000H.

All control circuits for the memory chips are placed on the cpu board.

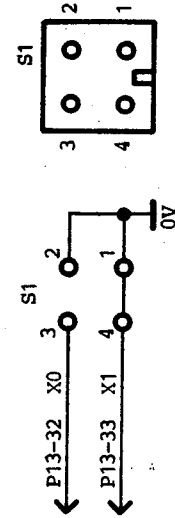
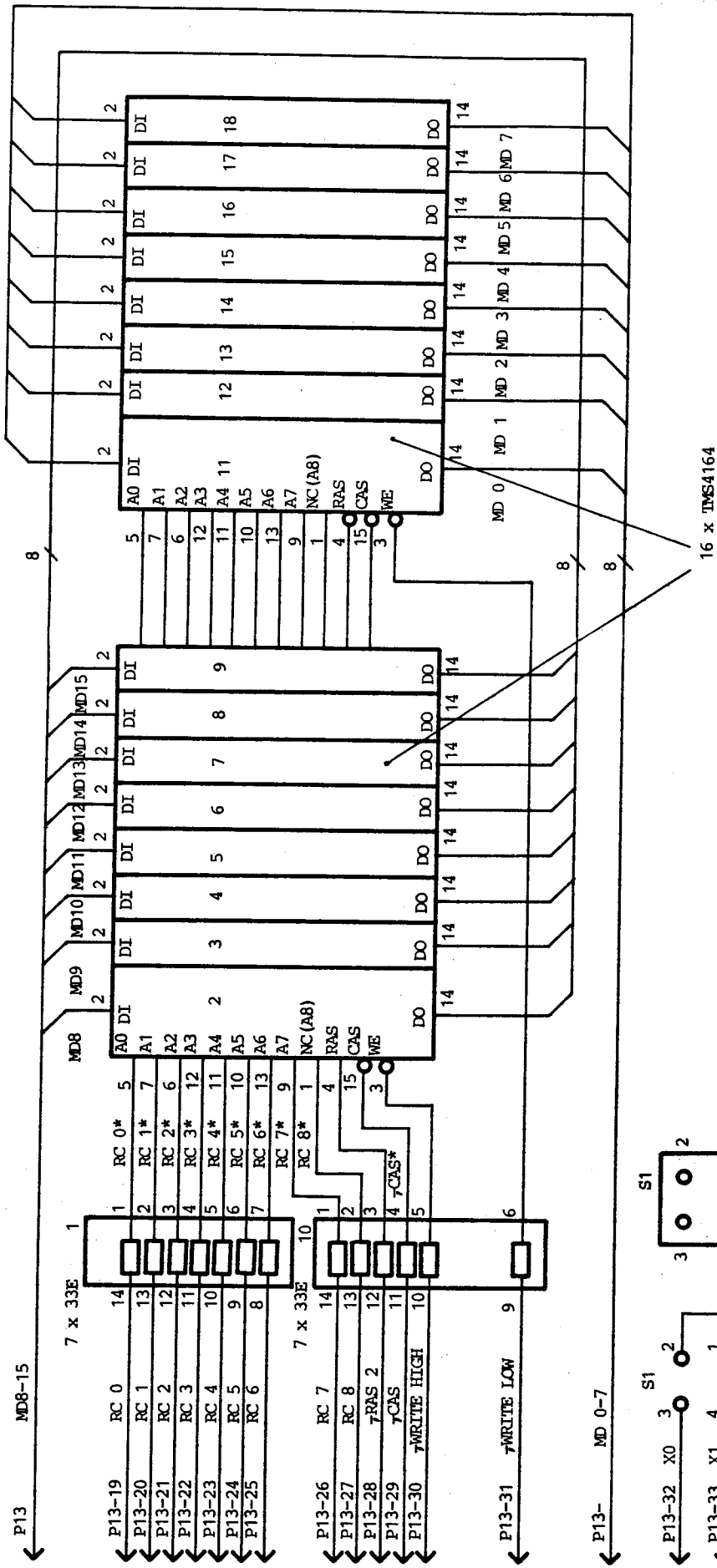
The signals X0 and X1 tells the cpu board which of extension board is installed.

X0	X1	Extension type
1	1	no extension
1	0	128 kbytes ram extension
0	1	512 kbytes ram extension
0	0	not used

fig. 2.0 Extension type table

3.0 Logic diagram

3.0



Pin number	Signal name	Description
1,35	0V	ground
2,36	+5V	power supply
3-18	MD0 - MD15	Memory Data bus bit 0-15
19-27	RC0 - RC8	Row/Column address bit 0-8. RC8 is only used by 256K x 1 bits memory chip.
28	/RAS 2	Row Address Select. Decodes the address area 40000H - 60000H.
29	/CAS	Column Address Select
30	/WRITE HIGH	WRITE Enable HIGH byte
31	/WRITE LOW	WRITE enable low byte.
32	X0	Module type indication
33	X1	

X0	X1	TYPE
1	1	no extension
1	0	128 kbytes extension
0	1	512 kbytes extension
0	0	not used

Fig. 3.0 P13 pluglist

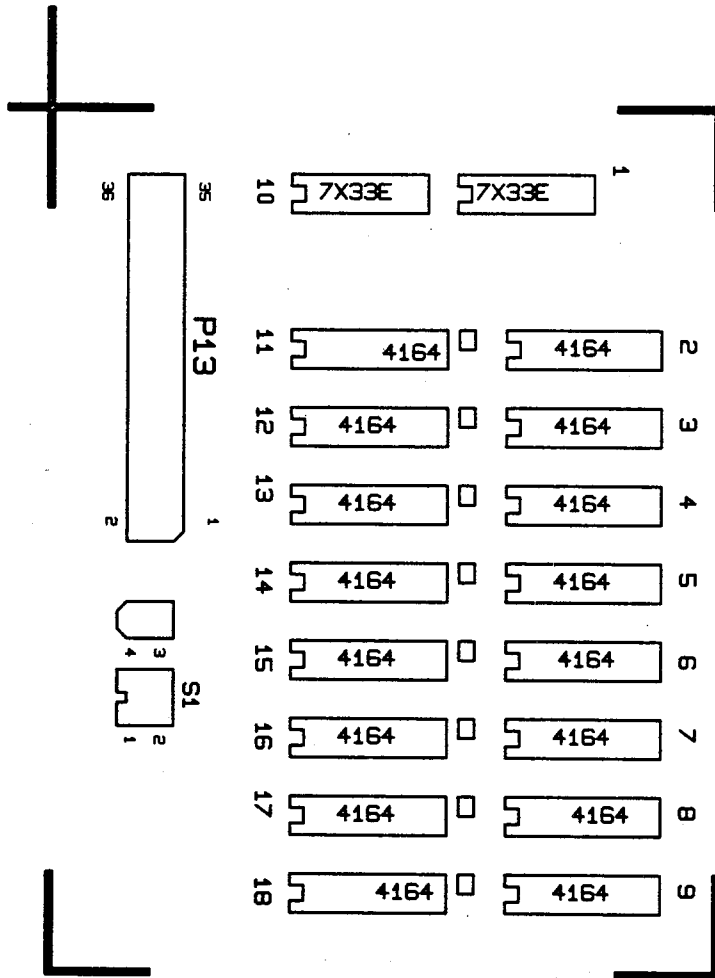


Fig. 4.0 Assembly drawing

RETURN LETTER

Title: Technical Manual for MEX702

RCSL No.: 99 0 00824

A/S Regnecentralen af 1979/RC Computer A/S maintains a continual effort to improve the quality and usefulness of its publications. To do this effectively we need user feedback, your critical evaluation of this manual.

Please comment on this manual's completeness, accuracy, organization, usability, and readability:

Do you find errors in this manual? If so, specify by page.

How can this manual be improved?

Other comments?

Name: _____ Title: _____

Company: _____

Address: _____

Date: _____

Thank you

..... **Fold here**

..... **Do not tear - Fold here and staple**

**Affix
postage
here**

 REGNECENTRALEN
af 1979

**Information Department
Lautrupbjerg 1
DK-2750 Ballerup
Denmark**