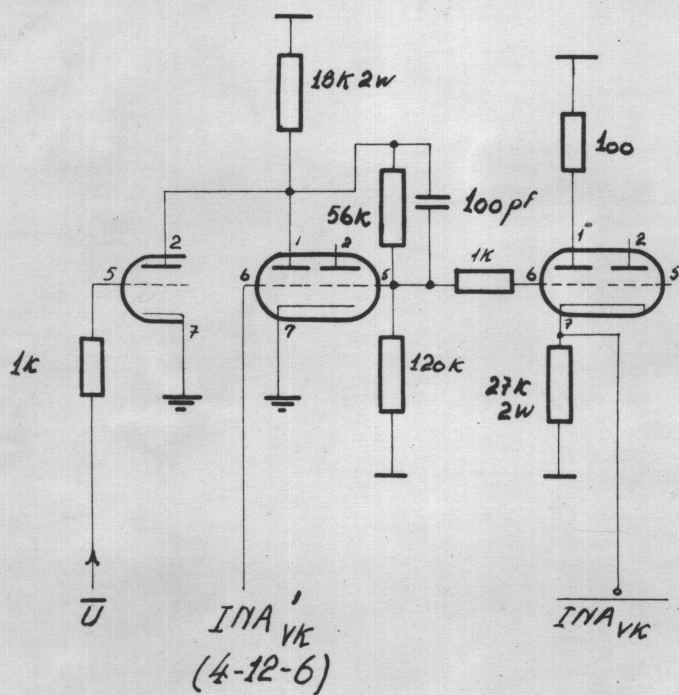


4-13
E90CC

3-12
E90CC

3-10
E90CC



— +225V
— +100V

— -200V

REGNECENTRALEN Dansk Institut for Matematikmaskiner	Tegnet	H.L. 15-8-1958	— INA_{VK}	TR. 1
	Kontrol	TV		DASK
	Godk.			