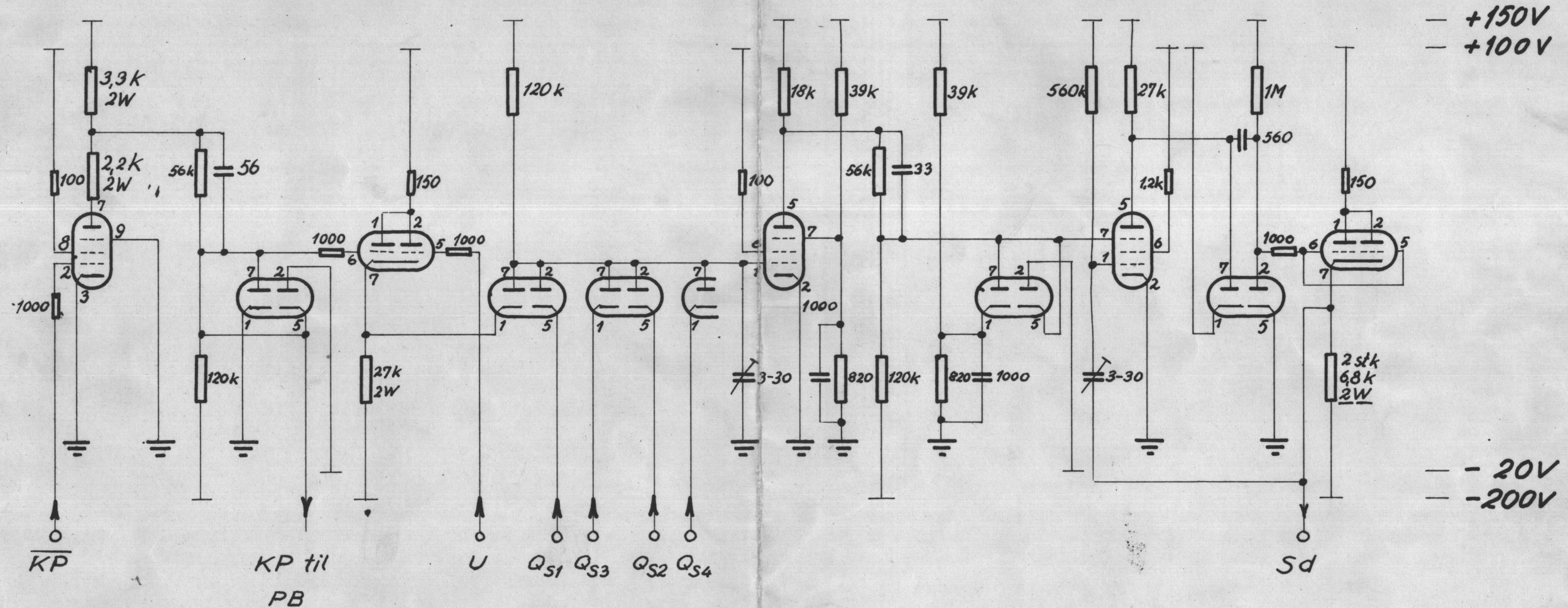


7-11 7-10 7-9 7-8 7-7 7-6 7-5 7-4 7-3 7-2 7-1
 E80L 5726 E90CC 5726 5726 5726 E91H 5726 6AS6 5726 E90CC



REGNECENTRALEN Dansk Institut for Matematikmaskiner	Tegnet	CM-21-6-56	Sd, savtak gene- rator for CP, K1n Principskema	KE-35
	Kontrol	Tk 21-6-56.		
	Godk.			