

• Victor Jorgensen



TECHNICAL MANUAL

DFC 402 8/1-70
KABELFORDELING

ANTAL PLADER = 66
ANTAL KABELSTIK = 8
ANTAL RESERVEREDE POSITIONER = 0

| TYPE | ANTAL | RC-NR. | KREDSLØB |
|------|-------|---------|----------------------|
| 1 | 7 | 834-1 | 12AC401 |
| 2 | 5 | 839-1 | 7AC402 |
| 3 | 2 | 838-1 | 4AC403 |
| 5 | 1 | 860-2 | 4DD402 |
| 14 | 1 | 884-1 | 9BA403/1AA405 |
| 16 | 4 | 835-1 | 6BC401 |
| 17 | 3 | 847-1 | 7AG401 |
| 23 | 1 | 8016-38 | 38 POL ELCO |
| 24 | 7 | 8016-90 | 90 POL ELCO |
| 26 | 1 | 837-1 | 3BB401 |
| 35 | 1 | 836-1 | 5AC404 |
| 37 | 1 | 890-1 | 11DB402/1DB403 |
| 41 | 1 | 894-1 | 4DB404/1DB405 |
| 43 | 1 | 858-1 | 1AG402 |
| 50 | 1 | 893-2 | 1FF402 |
| 55 | 3 | 898-1 | 1DB406 |
| 56 | 6 | 897-1 | 10DC405 |
| 58 | 1 | 901-1 | 1AJ408 |
| 60 | 1 | 903-1/ | 1AJ407/1BG407/1CC406 |
| 69 | 1 | 909-1/ | 6CB402 |
| 72 | 2 | 933-1 | 8DB409 |
| 73 | 8 | 934-1 | 3BF403 |
| 74 | 8 | 935-1 | 3BD404 |
| 75 | 2 | 936-1 | 18DC408 |
| 76 | 1 | 834-2 | 12AM401 |
| 77 | 4 | 3032-1 | 12AD401 |

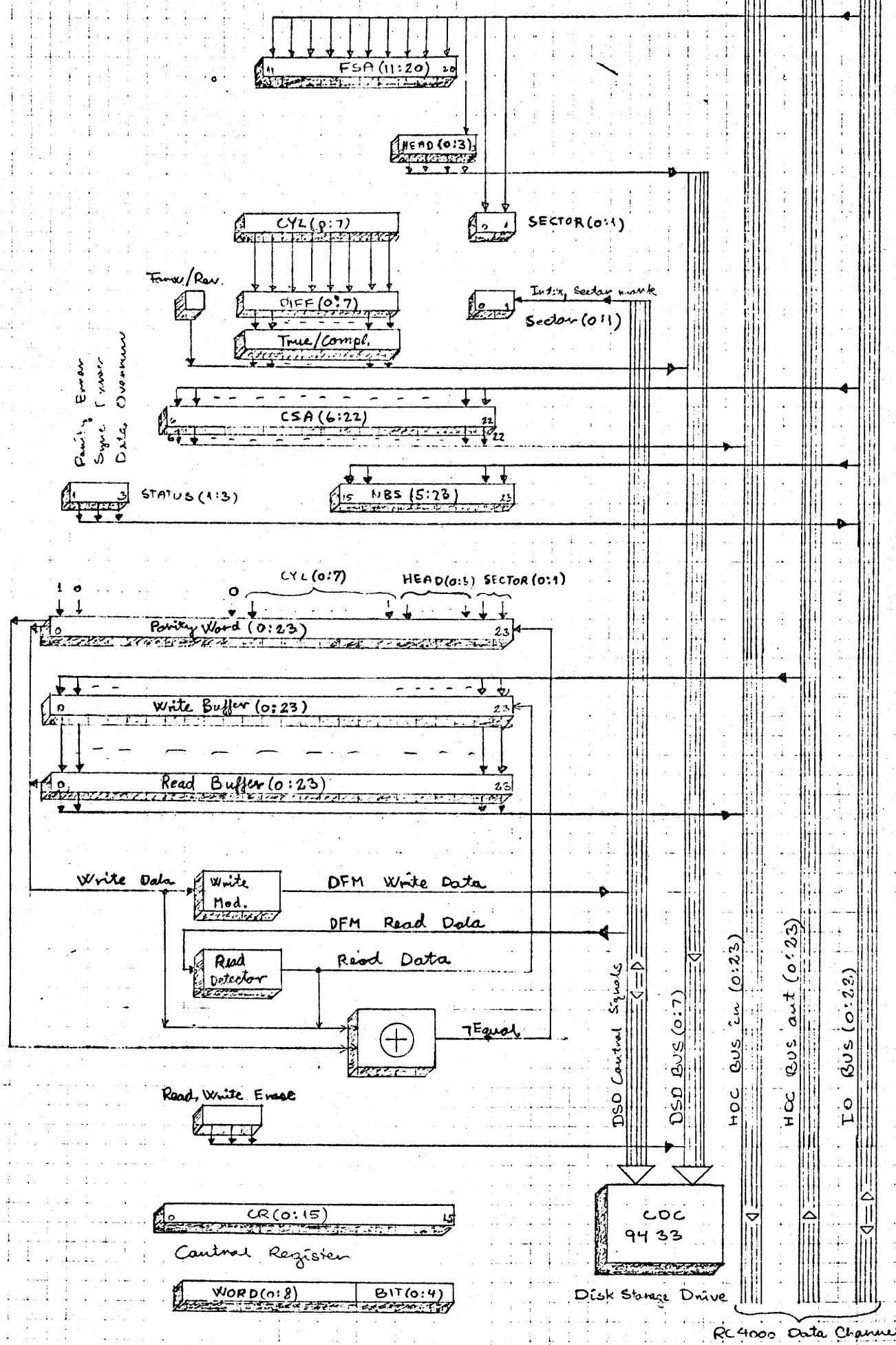
DFC 402 8/1-70
 DOUBLE POSITION LIST

FORMAT = 3 x 26

| IND | AKT | TYP | SYM | TYP |
|-----|-----|-----|-----|-----|
| 1 | 64 | 16 | 49 | 72 |
| 2 | 66 | 16 | 50 | 72 |
| 3 | 62 | 60 | 70 | 56 |
| 4 | 65 | 69 | 52 | 75 |
| 5 | 67 | 1 | 53 | 75 |
| 6 | 21 | 2 | 36 | 37 |
| 7 | 44 | 77 | 23 | 17 |
| 8 | 10 | 14 | 22 | 1 |
| 9 | 9 | 17 | 9 | 17 |
| 10 | 16 | 74 | 8 | 14 |
| 11 | 15 | 74 | 57 | 35 |
| 12 | 45 | 1 | 18 | 77 |
| 13 | 75 | 50 | 19 | 74 |
| 14 | 74 | 5 | 17 | 74 |
| 15 | 23 | 3 | 11 | 74 |
| 16 | 22 | 1 | 10 | 74 |
| 17 | 14 | 74 | 31 | 73 |
| 18 | 12 | 77 | 30 | 73 |
| 19 | 13 | 74 | 21 | 76 |
| 20 | 41 | 74 | 51 | 43 |
| 21 | 19 | 76 | 6 | 2 |
| 22 | 8 | 1 | 16 | 1 |
| 23 | 7 | 17 | 15 | 3 |
| 24 | 42 | 74 | 46 | 17 |
| 25 | 40 | 74 | 44 | 73 |
| 26 | 39 | 74 | 45 | 73 |
| 27 | 70 | 16 | 76 | 55 |
| 28 | 50 | 77 | 77 | 55 |
| 29 | 68 | 26 | 78 | 55 |
| 30 | 18 | 73 | 35 | 73 |
| 31 | 17 | 73 | 34 | 73 |
| 32 | 33 | 73 | 33 | 73 |
| 33 | 32 | 73 | 32 | 73 |
| 34 | 31 | 73 | 71 | 56 |
| 35 | 30 | 73 | 72 | 56 |
| 36 | 6 | 37 | 73 | 56 |
| 37 | 46 | 2 | 74 | 56 |
| 38 | 48 | 1 | 55 | 58 |
| 39 | 47 | 77 | 26 | 74 |
| 40 | 69 | 2 | 25 | 74 |
| 41 | 72 | 16 | 20 | 74 |
| 42 | 49 | 2 | 24 | 74 |
| 43 | 51 | 1 | 56 | 2 |
| 44 | 25 | 73 | 7 | 77 |
| 45 | 26 | 73 | 12 | 1 |
| 46 | 24 | 17 | 37 | 2 |
| 47 | 71 | 3 | 39 | 77 |
| 48 | 52 | 1 | 38 | 1 |
| 49 | 1 | 72 | 42 | 2 |
| 50 | 2 | 72 | 28 | 77 |
| 51 | 20 | 43 | 43 | 1 |
| 52 | 4 | 75 | 48 | 1 |
| 53 | 5 | 75 | | |
| 54 | 73 | 41 | | |

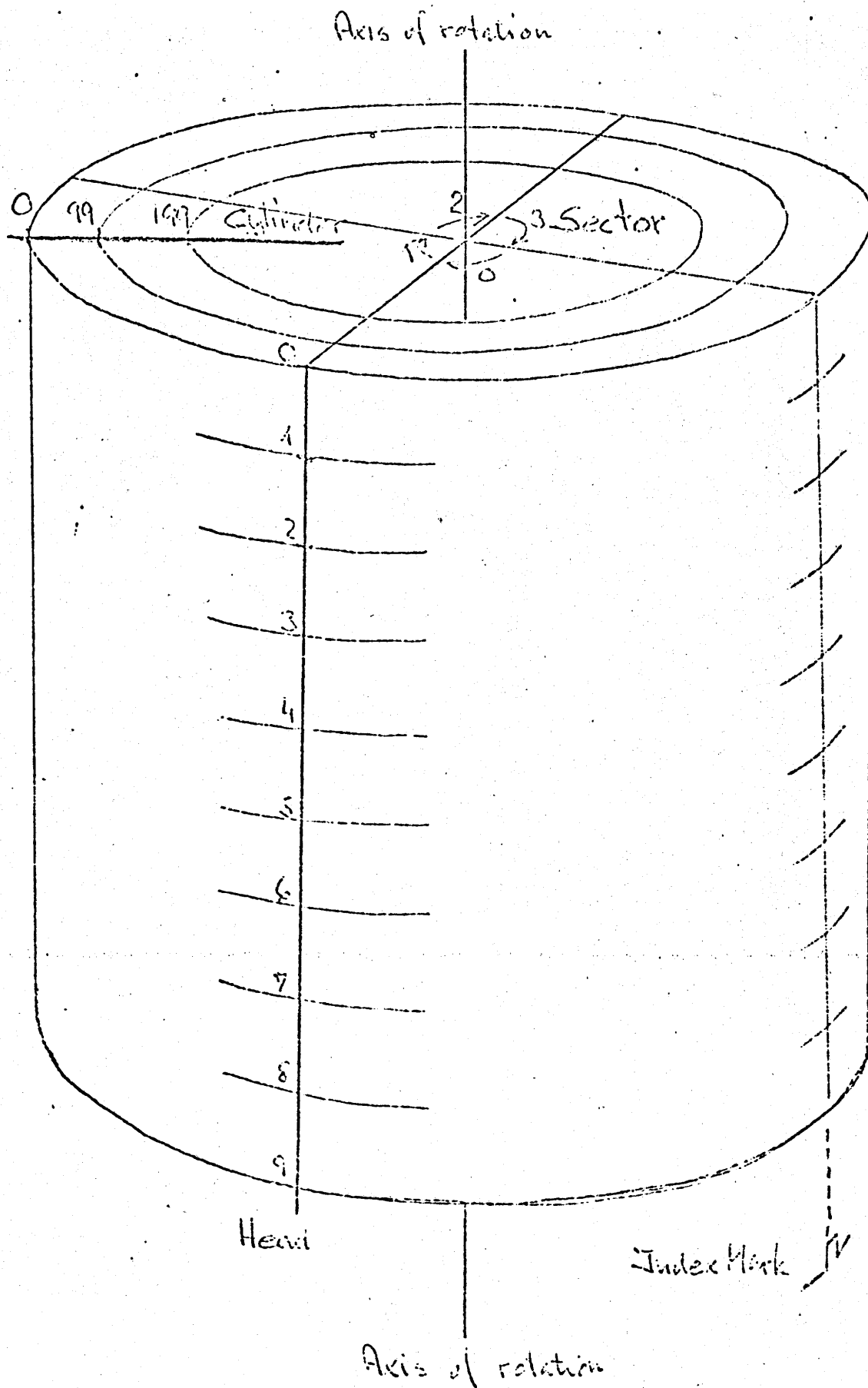
| | | | | |
|----|----|----|----|----|
| 55 | 38 | 58 | | |
| 56 | 43 | 2 | | |
| 57 | 11 | 35 | | |
| 62 | | | 3 | 60 |
| 63 | | | 75 | 56 |
| 64 | | | 1 | 16 |
| 65 | | | 4 | 69 |
| 66 | | | 2 | 16 |
| 67 | | | 5 | 1 |
| 68 | | | 29 | 26 |
| 69 | | | 40 | 2 |
| 70 | 3 | 56 | 27 | 16 |
| 71 | 34 | 56 | 47 | 3 |
| 72 | 35 | 56 | 41 | 16 |
| 73 | 36 | 56 | 54 | 41 |
| 74 | 37 | 56 | 14 | 5 |
| 75 | 63 | 56 | 13 | 50 |
| 76 | 27 | 55 | | |
| 77 | 28 | 55 | | |
| 78 | 29 | 55 | | |

| <u>KABP</u> | X | Y | TYPE |
|-------------|-----|-----|------|
| 1360 | 37 | 393 | 24 |
| 1361 | 37 | -30 | 24 |
| 1362 | 195 | 395 | 24 |
| 1363 | 195 | -30 | 24 |
| 1364 | 350 | 395 | 24 |
| 1365 | 350 | -30 | 24 |
| 1366 | -60 | 55 | 24 |
| 1369 | -60 | 105 | 23 |



RC 4000 Data Channels

| | |
|----------|-----------------------------------|
| Unit | RC 4000 |
| Dwg. No. | OFC 402 DATA CHANNEL STRUCTURE |

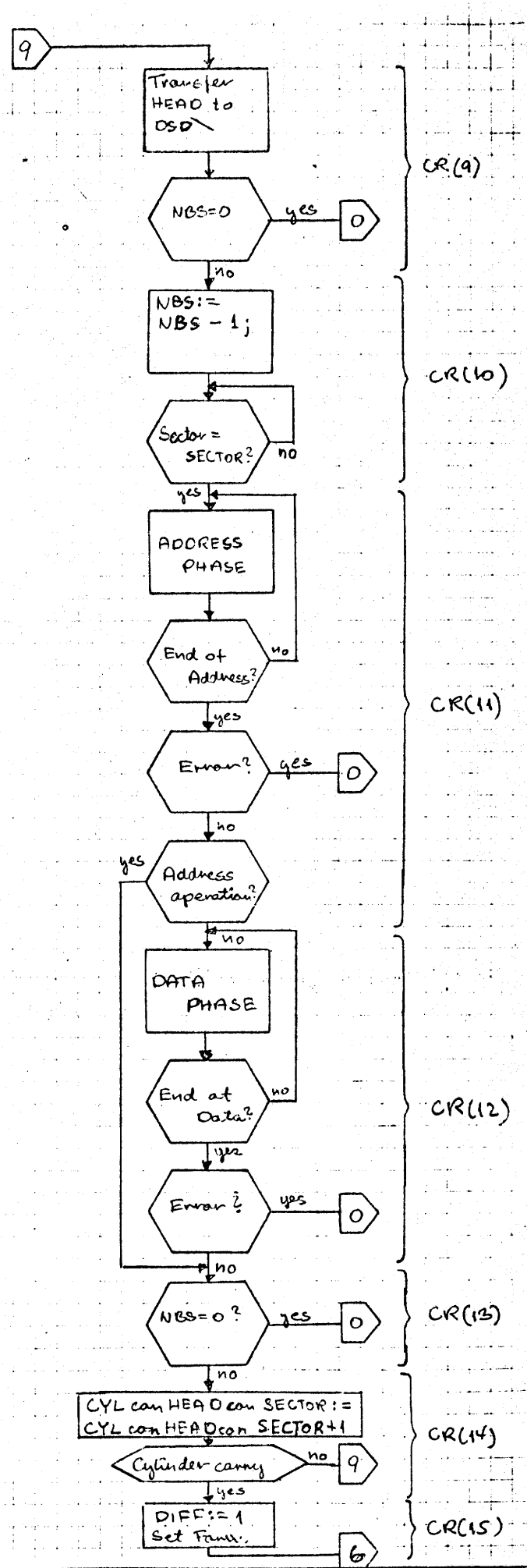
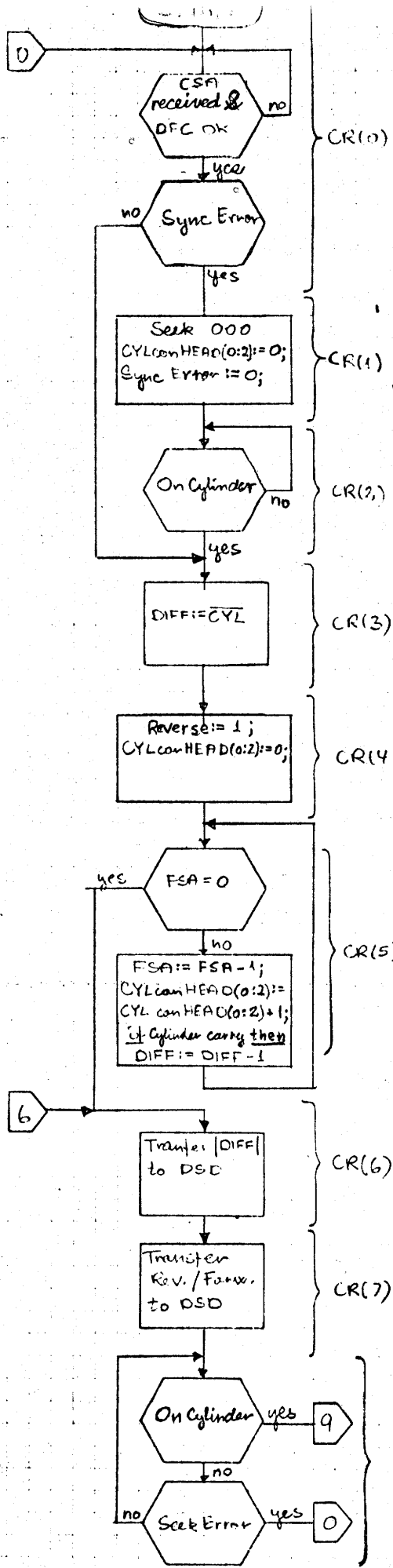


Figure

location of Cylinders, Heads, and Sectors on a Disc Kit.

The Disc Segment divisions is $40 \times \text{Cylinder} + 4 \times \text{Head} + \text{Sector}$

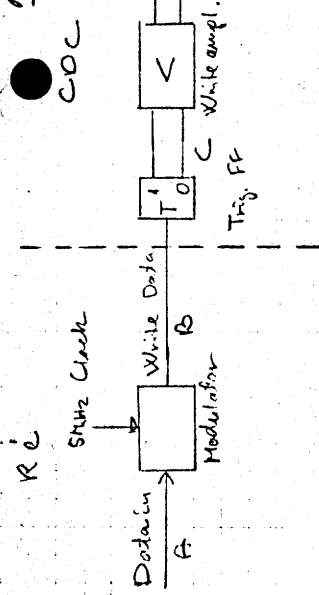
AC doc. VS No.
 A/S REG No. 040270 F6P
 Designed by
 Drawn by
 Dwg. Office
 Design Check
 Replaces Dwg. No. due to ECN
 Reported by Dwg. No.



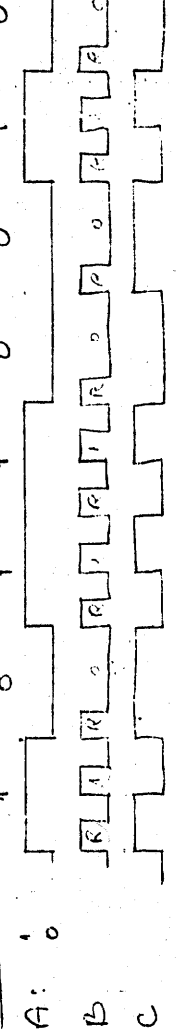
DFC 402
FLOW DIAGRAM

Unit
Dwg. No.

base - signal systems CDC Clock unit.

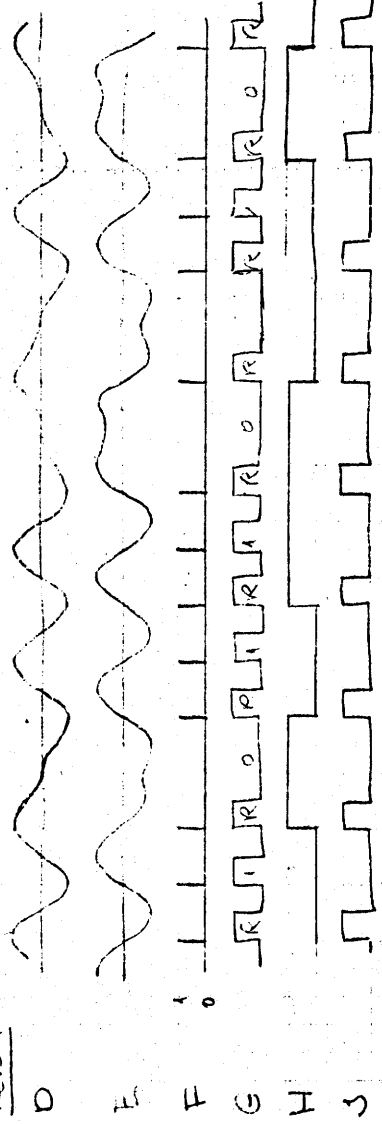


Write:



Data in
Write Data (CDC input)
Write Command

Read:



Playback signal
diff. playback signal
peaks on playback signal
Read Data (CDC output)
Data out
Clock

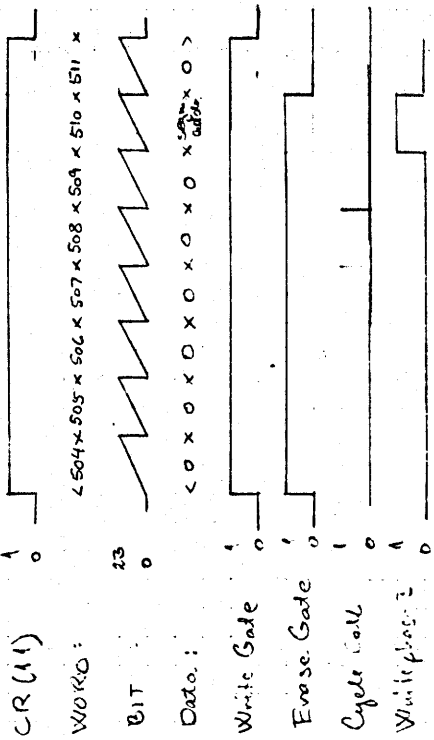
| | | | |
|-----------|------------------|-------------------------|------------|
| Unit: DFC | Designed 7.10.69 | Read - Write signals | Drawing No |
| | Approved | | Drawn by |
| CENTRALEN | Checked | | Checked |
| | Last Revision | | Sheet |
| | | | Sheet |

04070 F&F

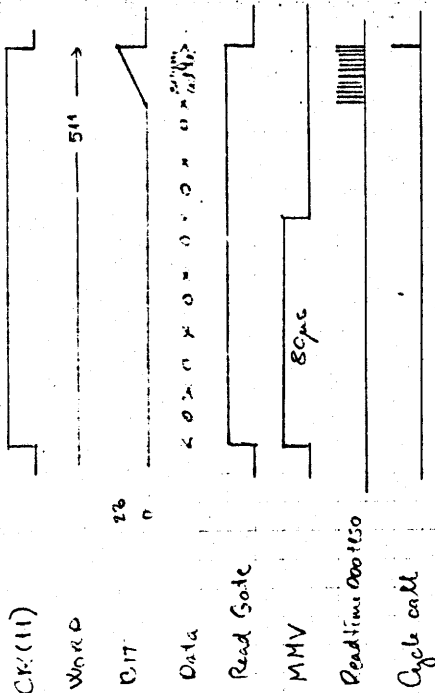
Unit
Dwg. No.

1. Write segment address

1 word time = 19.2ns



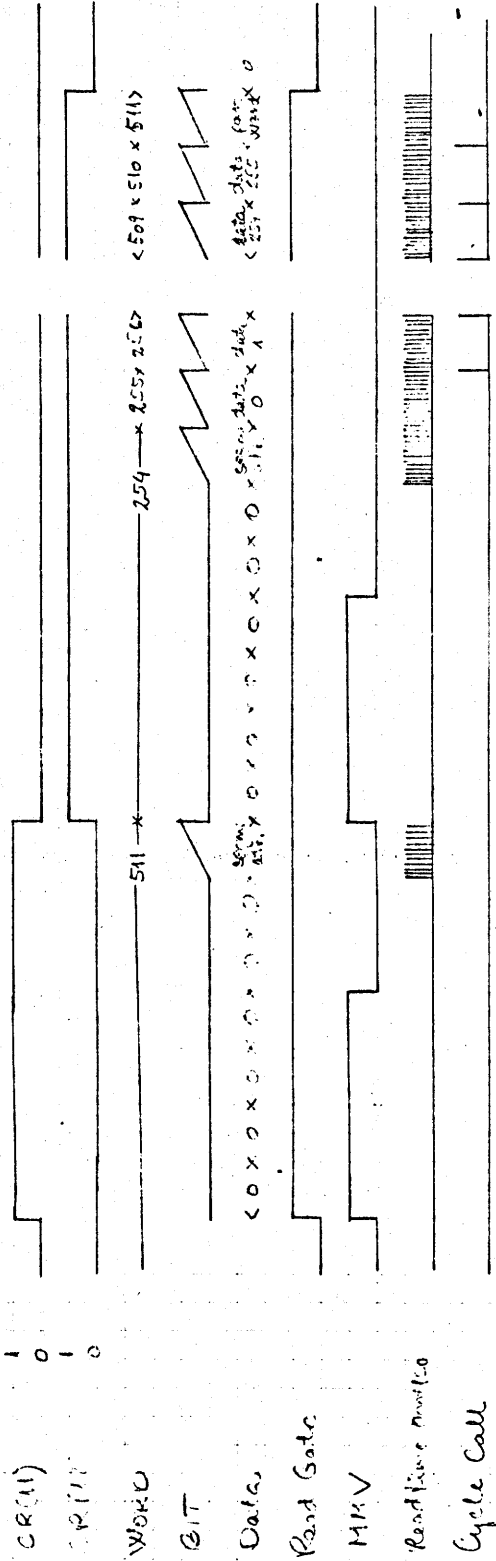
2. Read segment address



Segment address format:

1 0 0 0 0 0 0 0 0 0 < cyl. address > head > sect >

4. Part A Data.

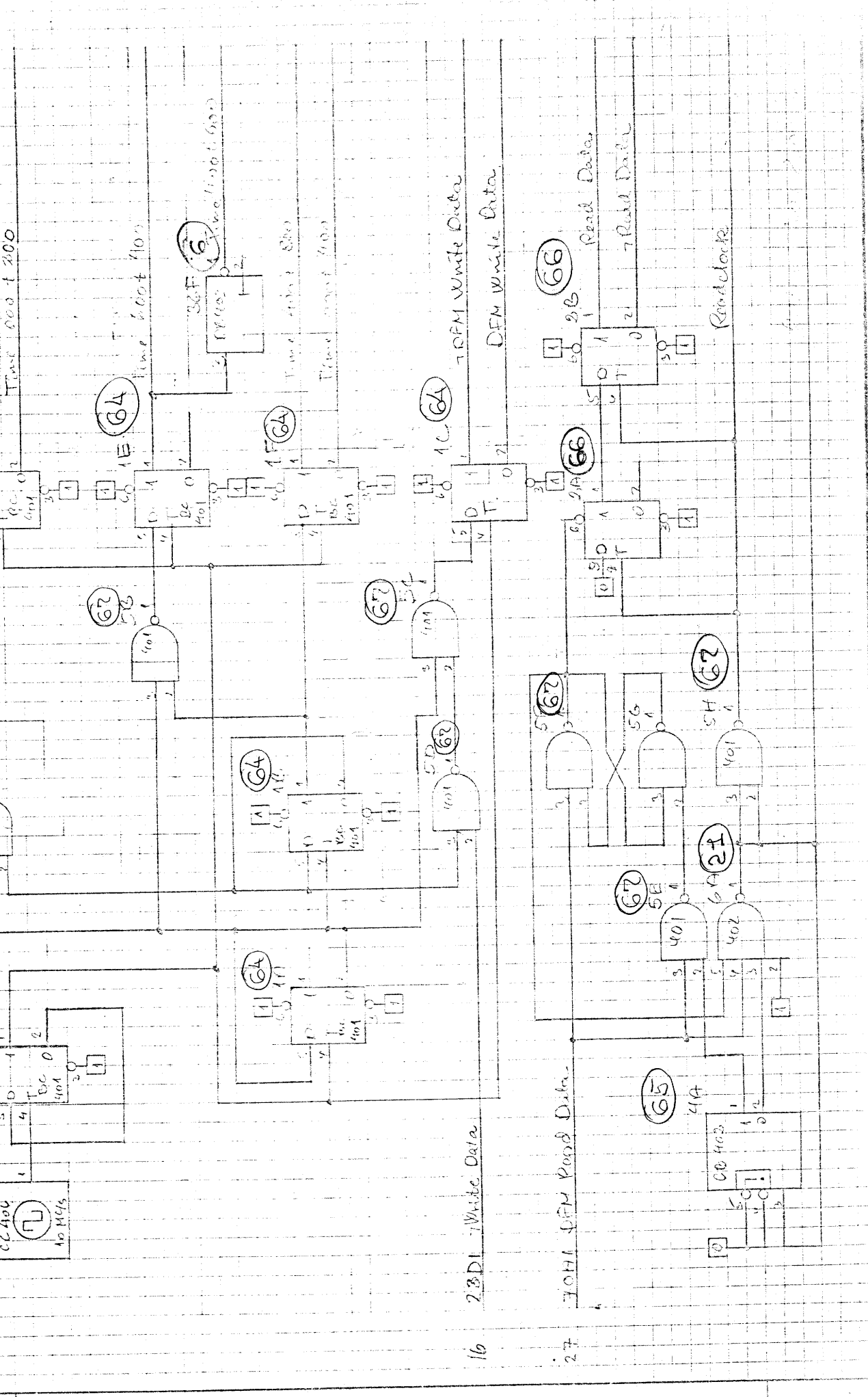


Unit

Dwg. No.

READ DATA
TIMING DIAGRAM

CLOCK GENERATION, WRITE MODULATOR AND READ DETECTOR



16

27

Unit

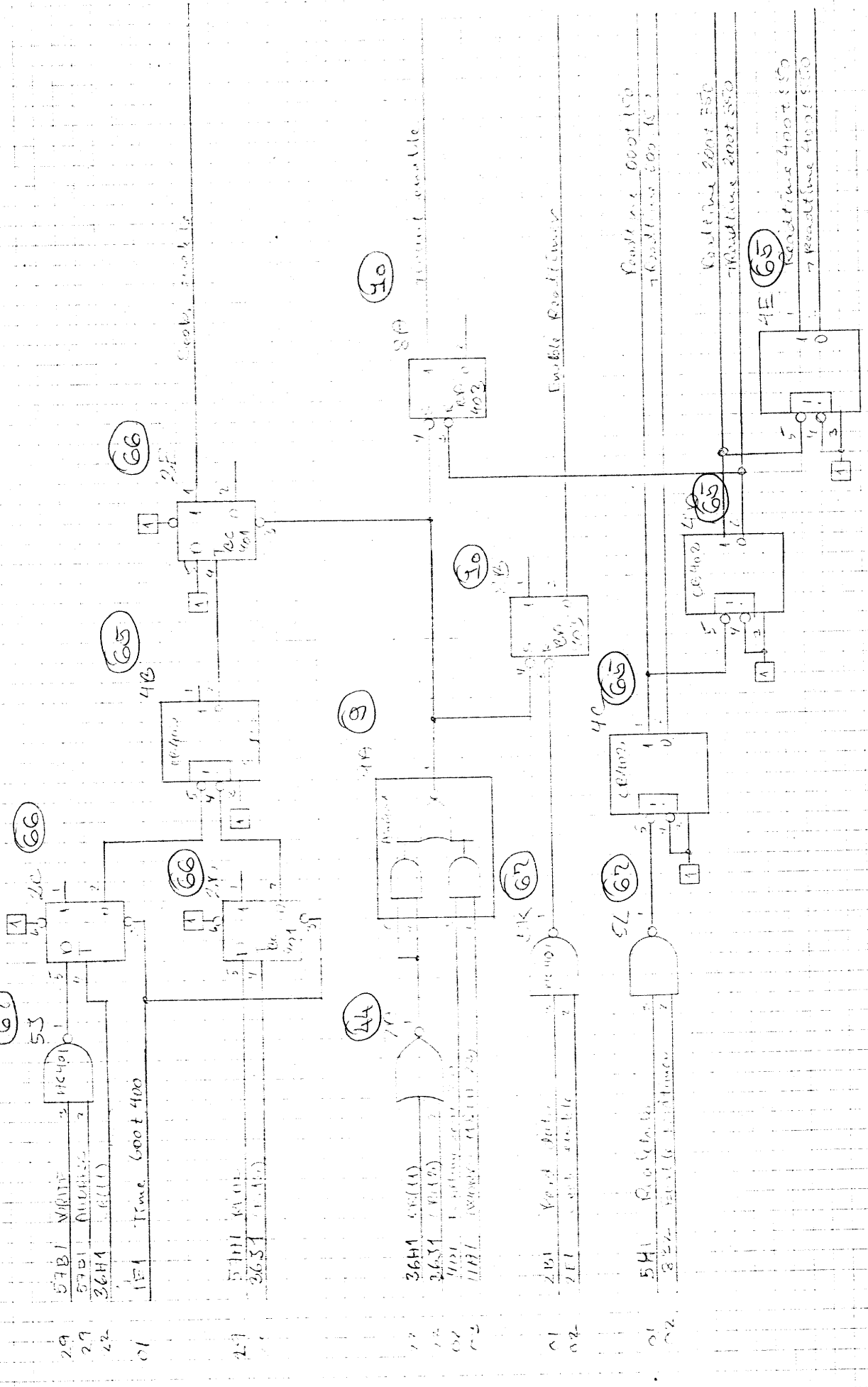
RC4000

Dwg. No.

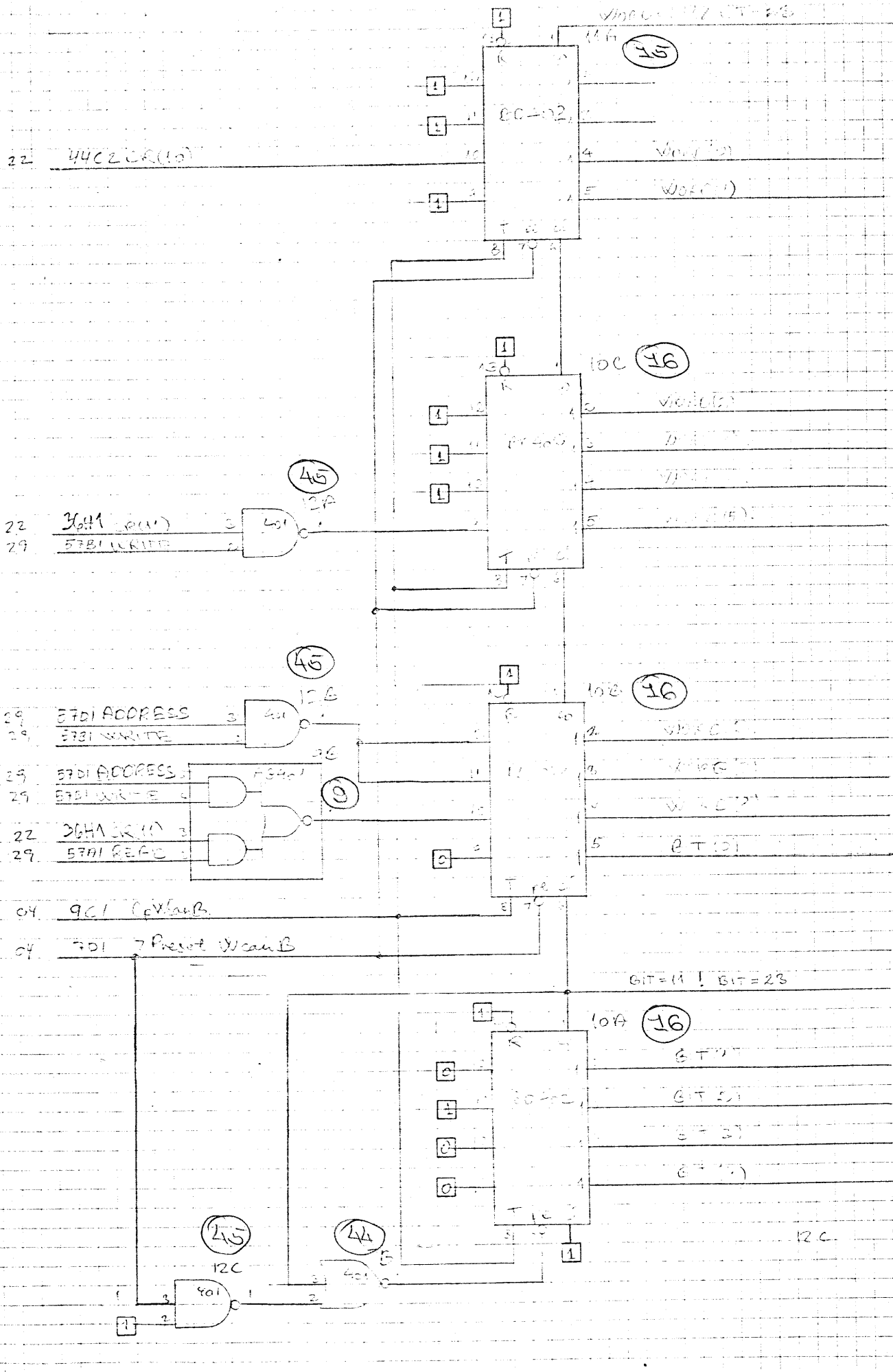
V11802

REFL SYNCHRONIZING
per Diagram

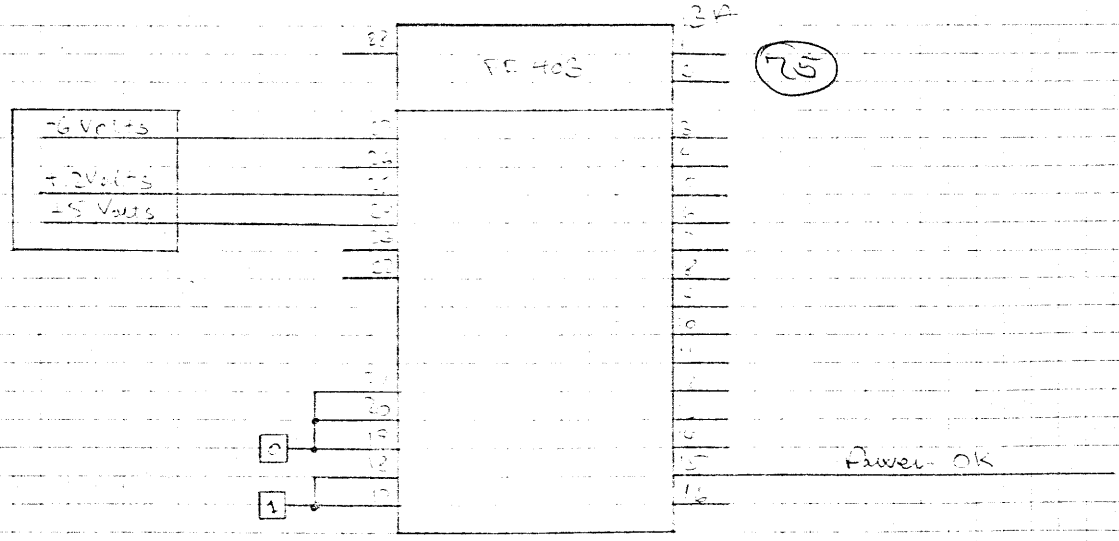
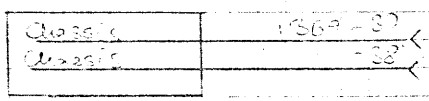
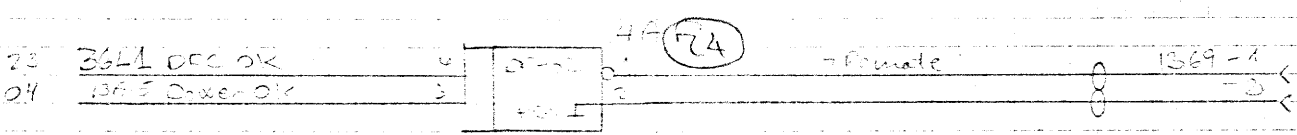
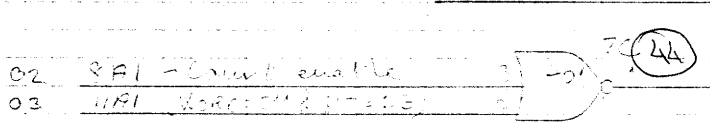
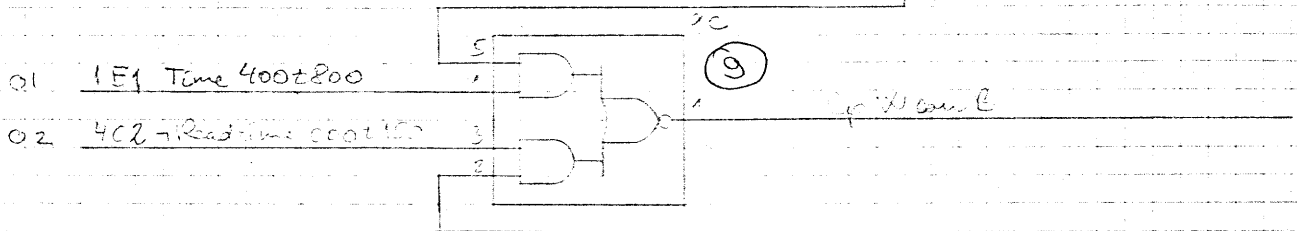
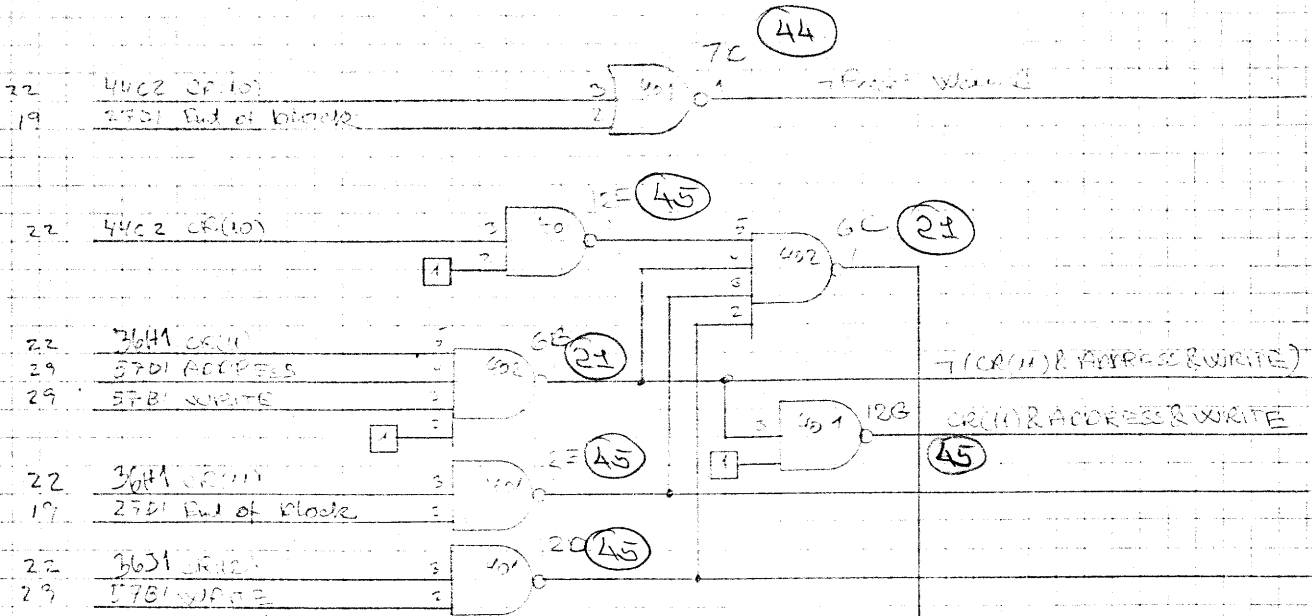
OPC-2



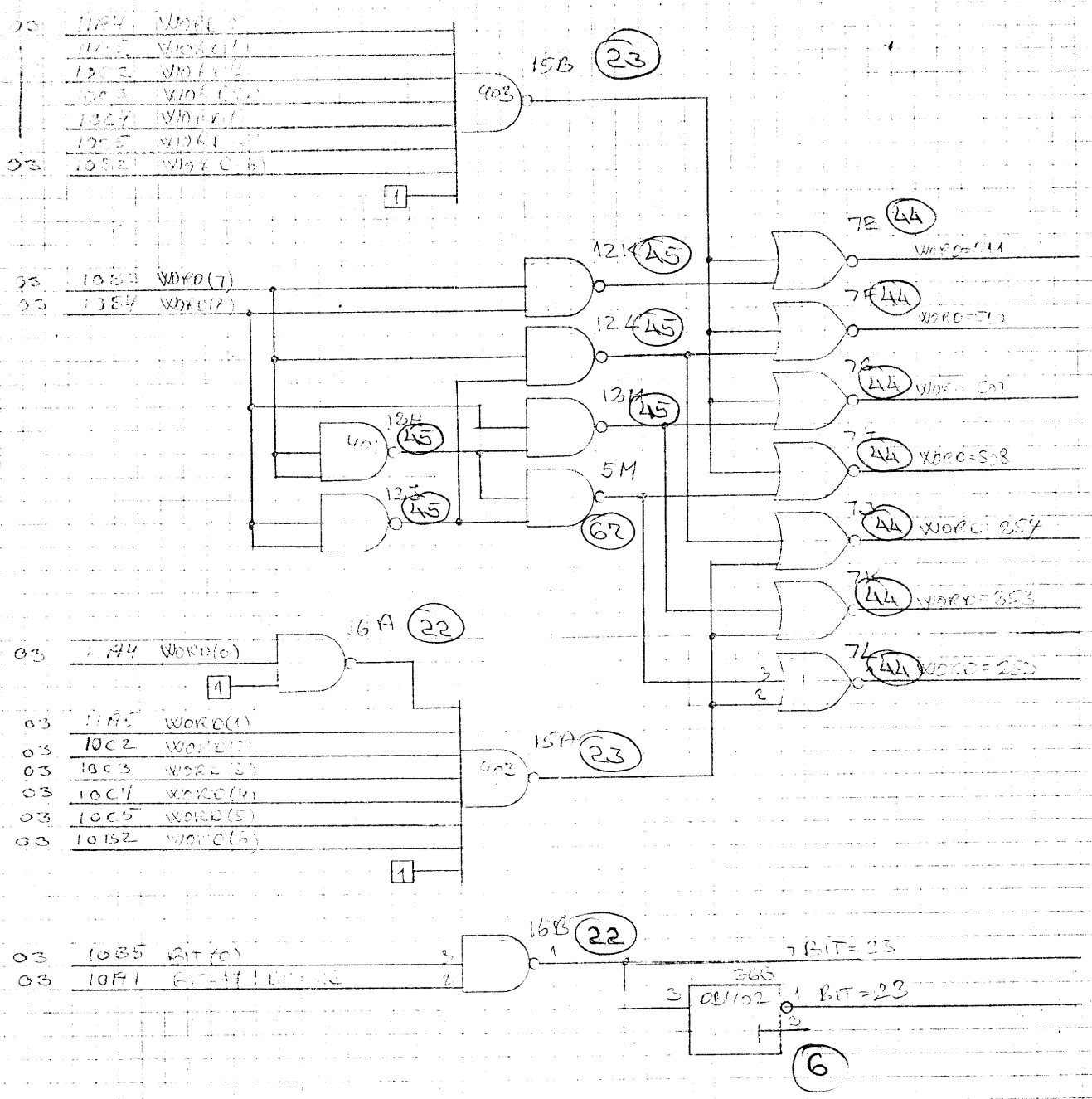
A/S REGENTRALEN
 Designed by
 Drawn by
 Dwg. Office
 Design Check
 Replaces Dwg. No.
 due to ECN
 Rec. by Dwg. No.



| | | |
|-------------------|---|---------|
| Unit R4000 | W03C - 40 BIT COUNTER, W03C 0 3) BIT 0 4) | DRG - 3 |
| Dwg. No. V1803 | | |

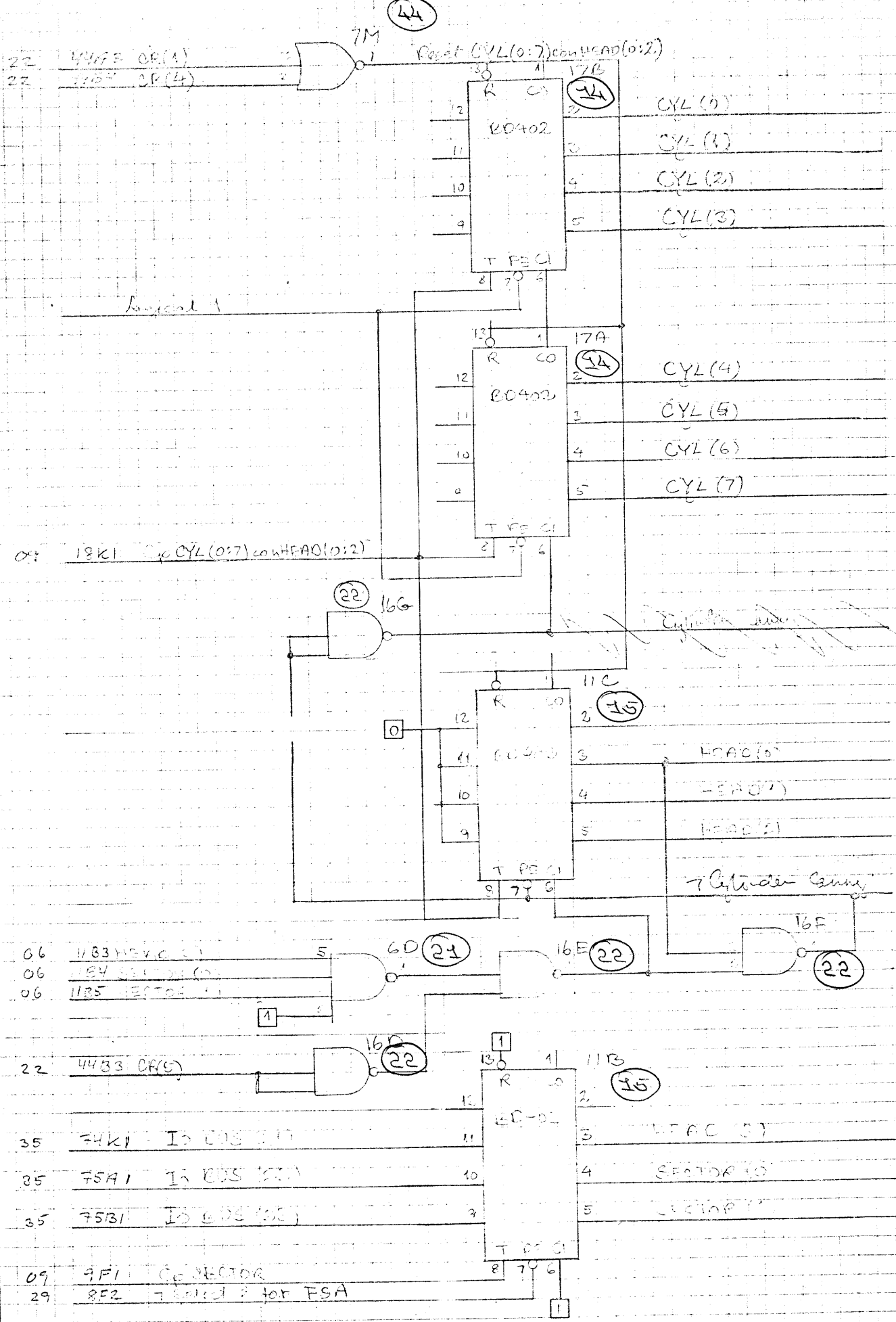


Dwg. No. Replaces Dwg. No. due to ECN Design Check Dwg. Office Cl. Drawn by Designed by STRALEN



PC doc VB 140
 A/S REGNECENTRALEN
 Designed by
 Drawn by
 Dwg. Office
 Design Check
 Replaces Dwg. No.
 due to ECN
 Ref. by Dwg. No.

Replaces Dwg. No. due to ECN
 Replaces Dwg. No.
 Design Check
 Dwg. Office Checked
 Drawn by
 Designed by
 Unit
 Dwg. No.



| | | | |
|----------|--------|---------------------------------|-------|
| Unit | RC4000 | SECTOR(0:1), HEAD(0:3) CYL(0:7) | DPL-3 |
| Dwg. No. | V11806 | Logic Diagram | |

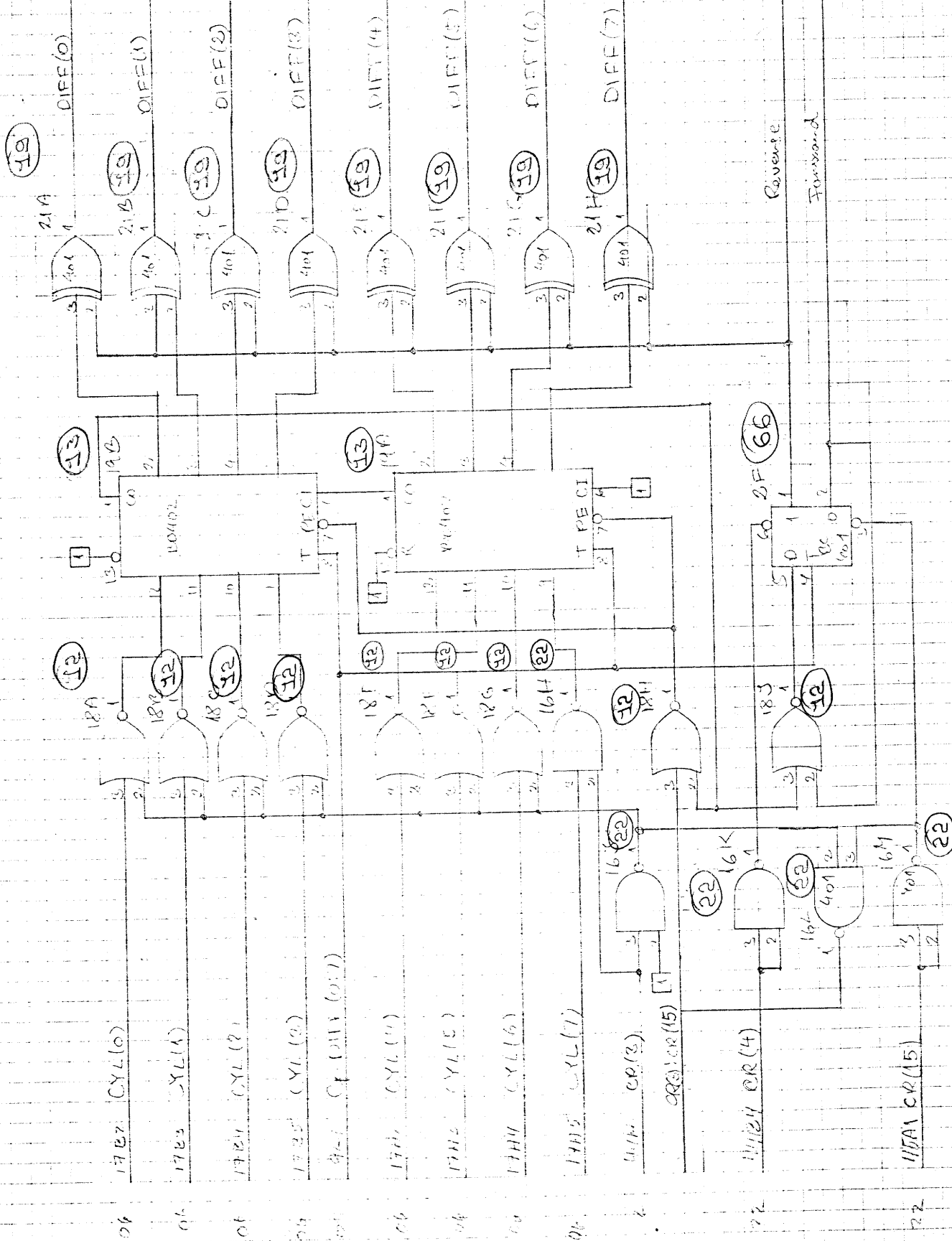
Unit

Dwg. No. VM1807

CYLINDER DIFFERENTIAL DIFF (0-7)

See also Drawing

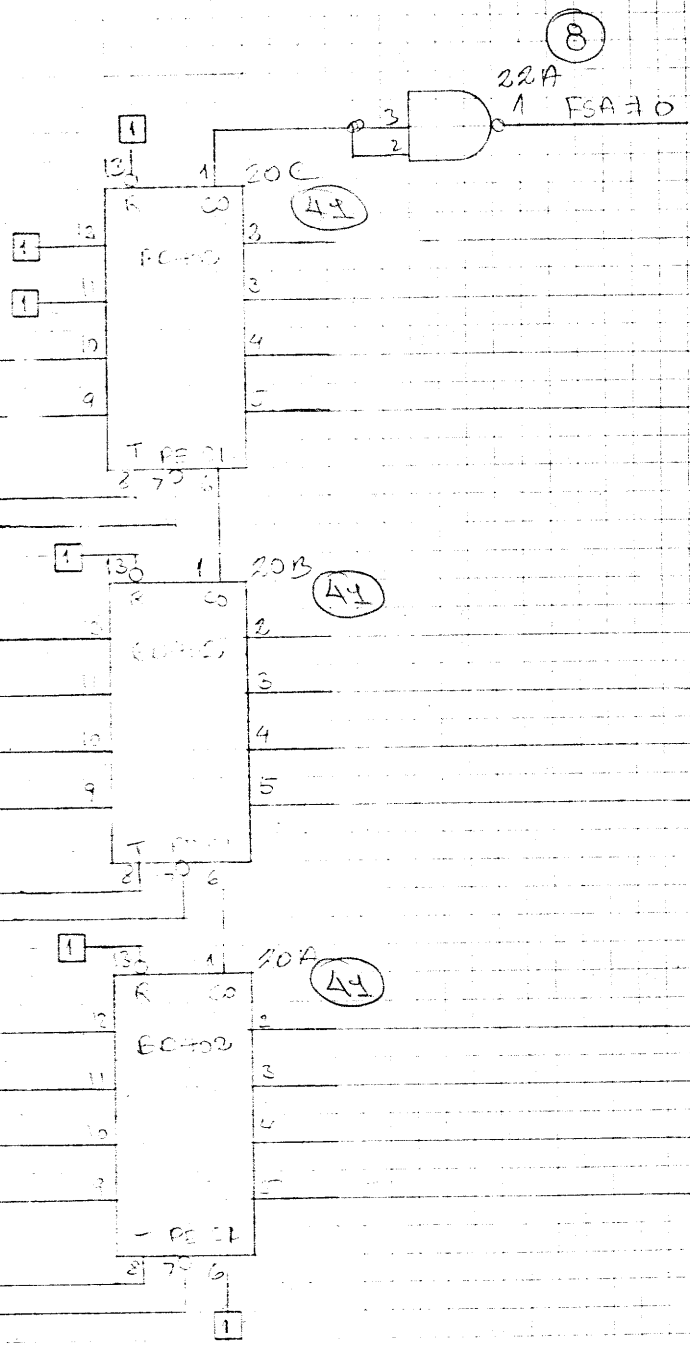
0-7



Handwritten notes at the top left of the page.

1. Unit
 2. Dwg. No.
 3. Replaces Dwg. No.
 4. Design Check
 5. Dwg. Office C
 6. Drawn by
 7. Designed by
 8. Unit

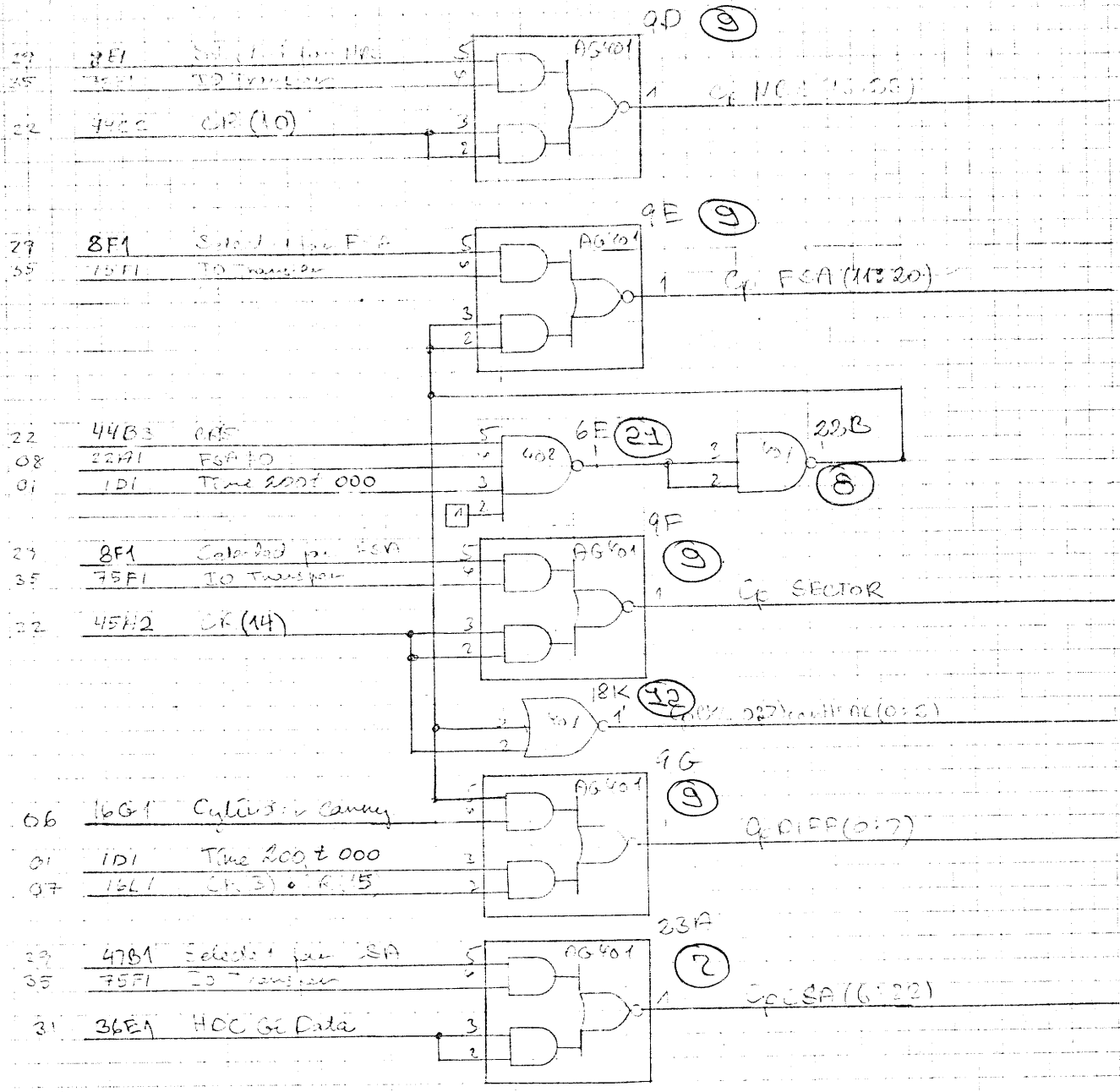
- 27 55H16 - IO BUS (14)
- 29 55H17 - IO BUS (10)
- 29 55H18 - IO BUS (10)
- 29 55H19 - IO BUS (10)
- 29 55H20 - IO BUS (10)
- 29 55H21 - IO BUS (10)
- 29 55H22 - IO BUS (10)
- 29 55H23 - IO BUS (10)
- 09 9E1 Co FCR
- 29 2F3 75010200000000



Unit: R4000
 Dwg. No.: V11808

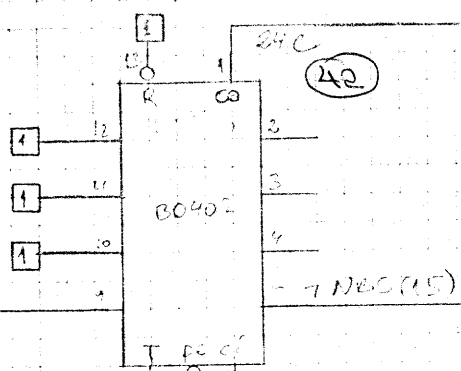
07-2

A/S REGISTRATION CENTRALEN
 Designed by
 Drawn by
 Dwg. Office
 Design Check
 Replaces Dwg. No. due to ECN
 Rev. by Dwg. No.

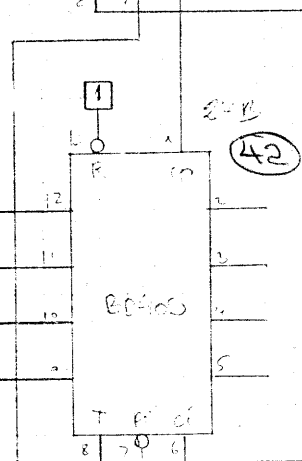


PC 400, VB 140
 A/S REGN
 Designed by
 Drawn by
 Dwg. Office
 Design Check
 Replaces Dwg. No.
 due to ECN
 Re by Dwg. No.

28 55H12 - TO BUS (15)



28 55H11 - TO BUS (16)



28 55H12 - TO BUS (17)

28 55H13 - TO BUS (18)

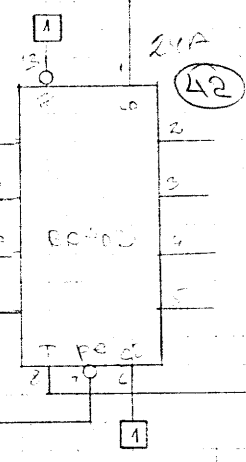
28 55H14 - TO BUS (19)

28 55H15 - TO BUS (20)

28 55H16 - TO BUS (21)

28 55H17 - TO BUS (22)

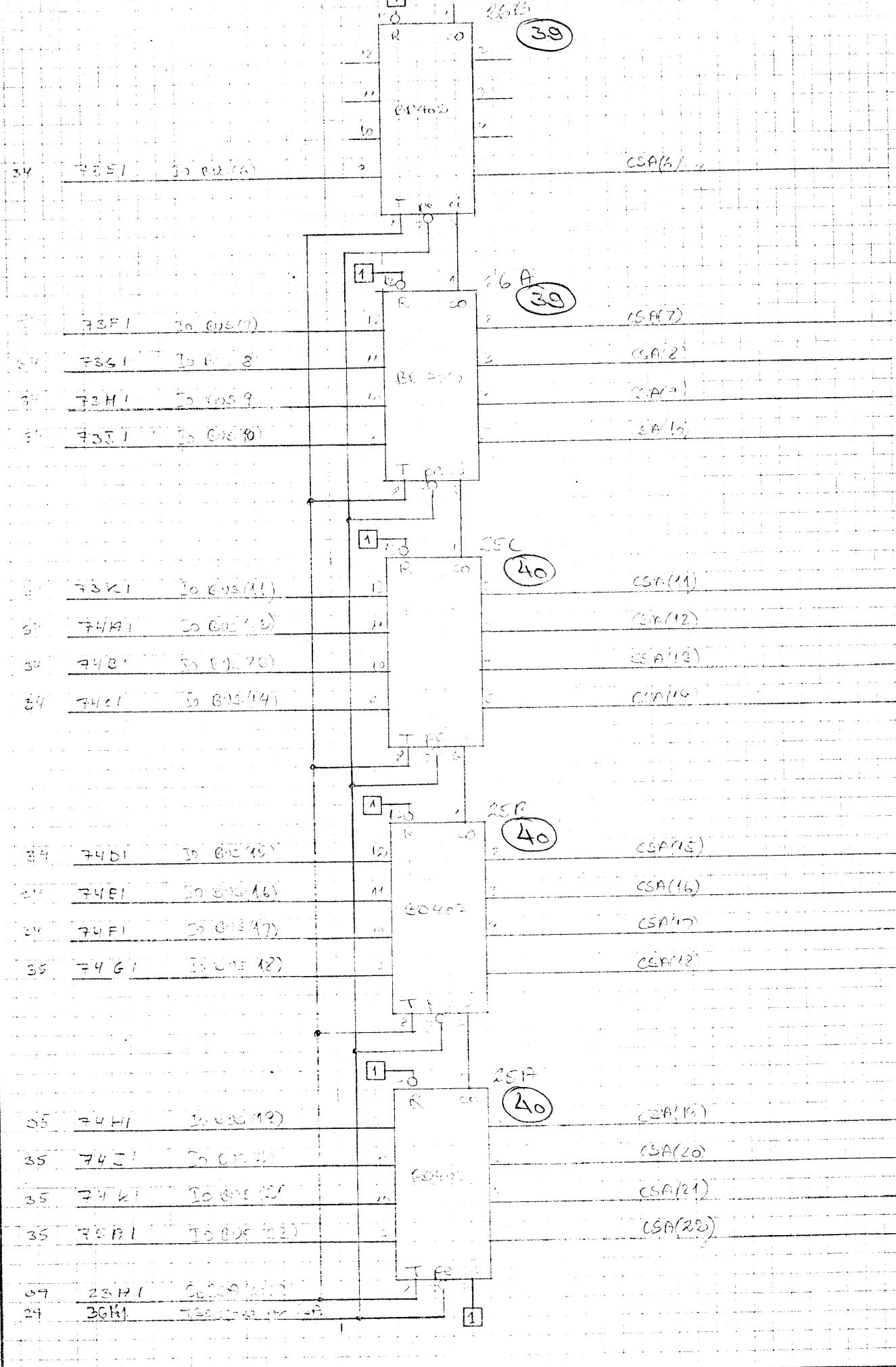
28 55H18 - TO BUS (23)



29 55H19 - TO BUS (24)

30 55H20 - TO BUS (25)

| | | | |
|----------|--------|---------------------------------|--------|
| Unit | K0400 | NUMBER OF SEGMENTS, NBS (15:23) | DPC-10 |
| Dwg. No. | V11810 | Logic Diagram | |

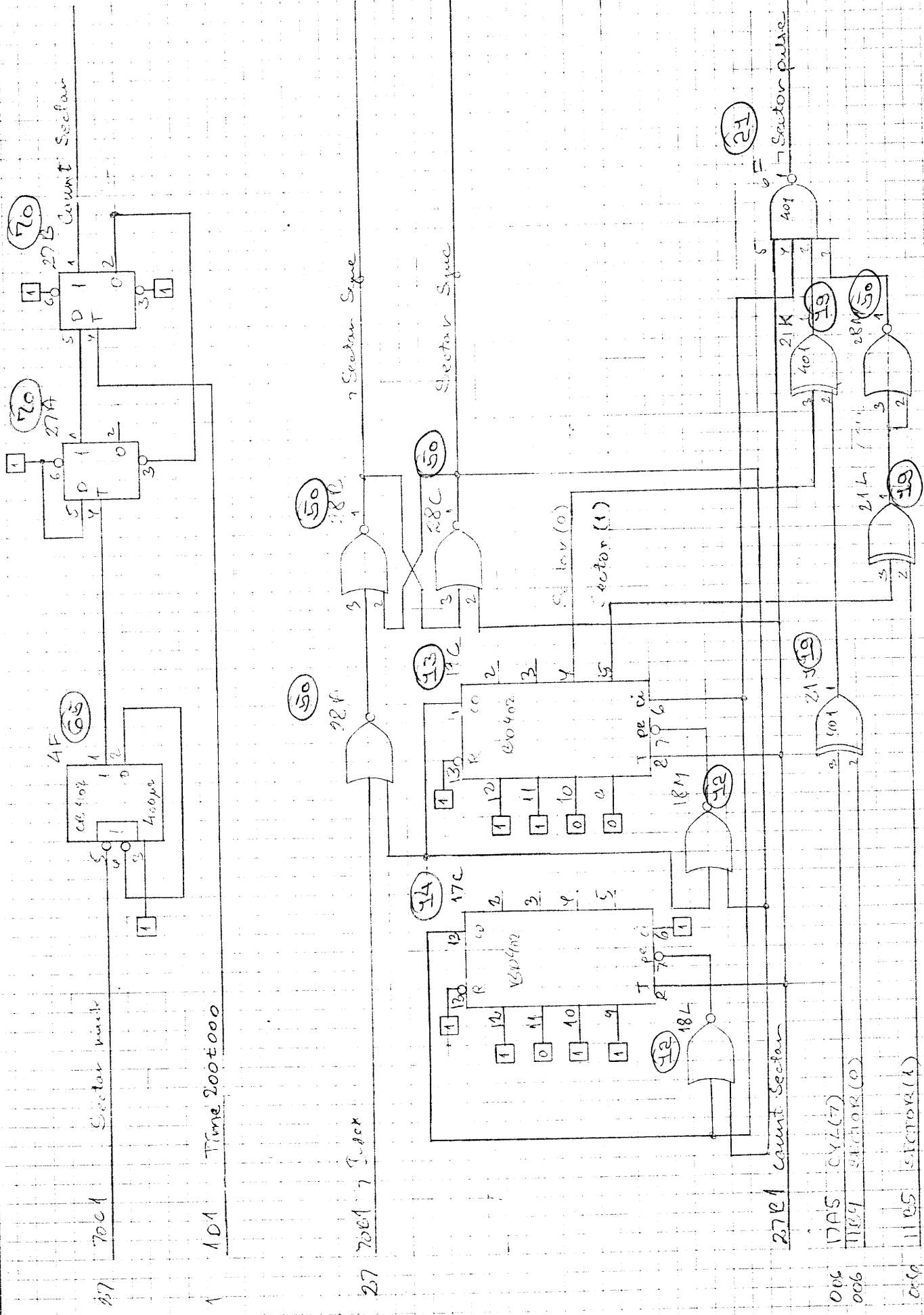


| | | | |
|----------|---------|-------------------------------|-----|
| Unit | RC 4000 | Core Core ADDRESS, CSA (6:22) | DTC |
| Dwg. No. | V11811 | David D... | |

Unit

Dwg. No. V11812

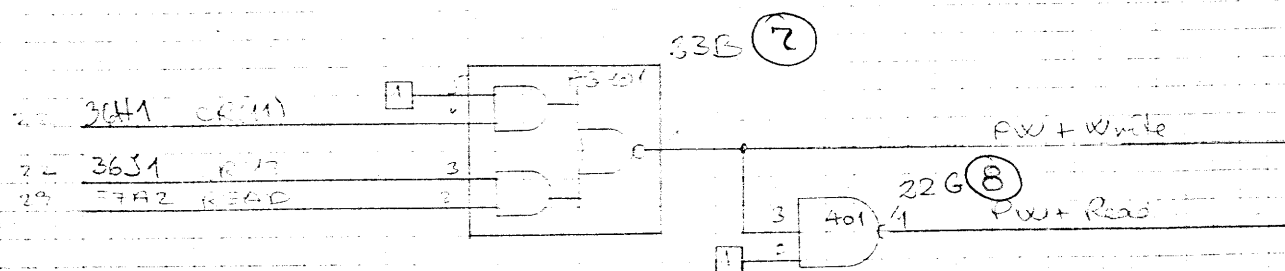
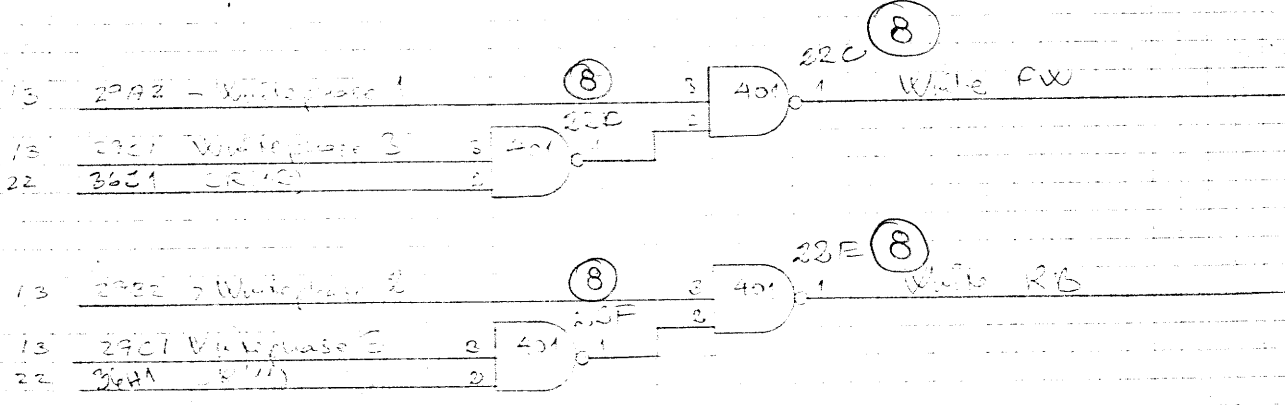
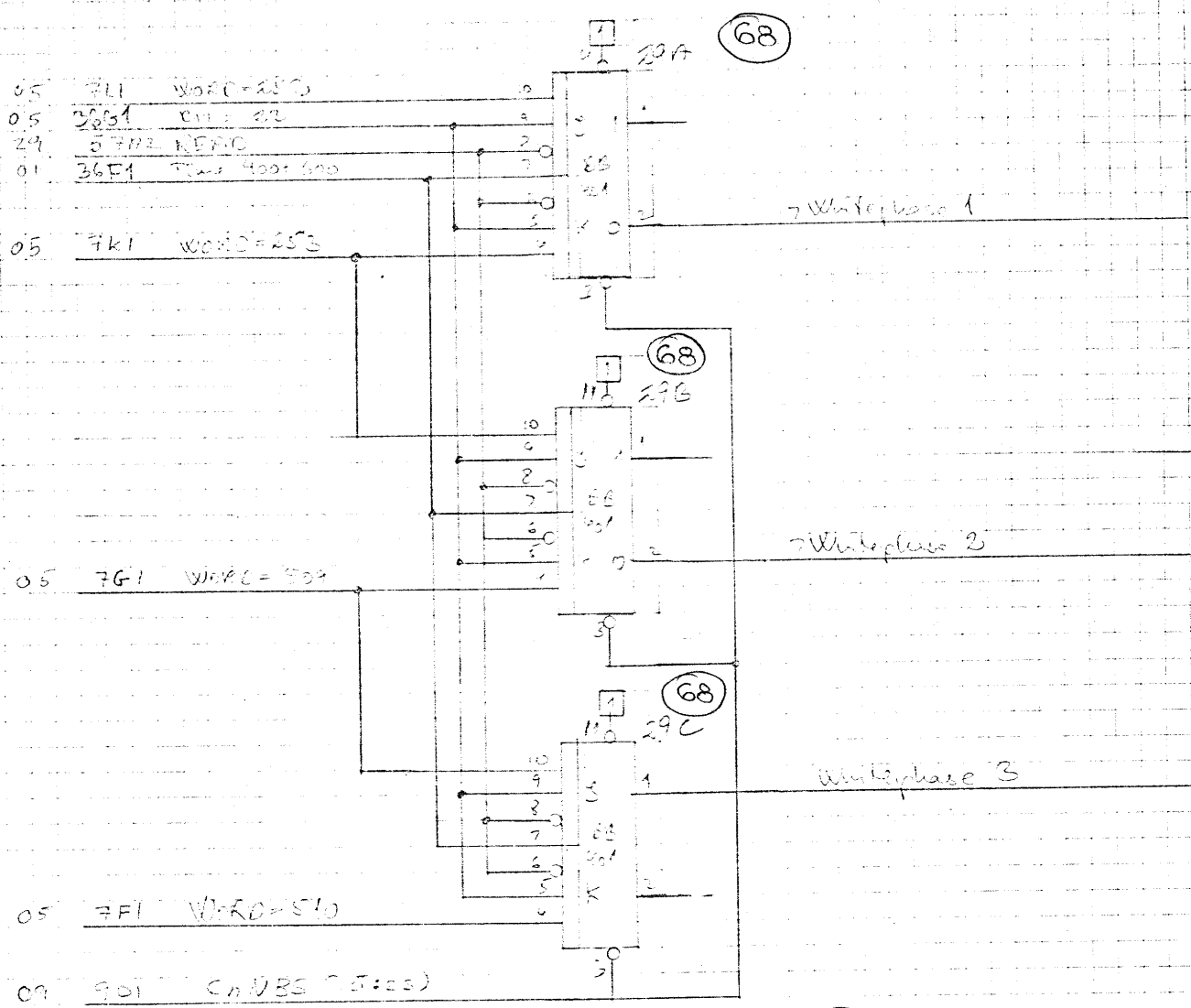
Sector Counter



006 17A5 CYL(7)
 006 11B9 SECTOR(0)
 006 11B5 SECTOR(1)

878-12

Replaces Dwg. No. due to ECN Replaces Dwg. No. Design Check Dwg. Office Drawn by Designed by
 AIS REGISTRATION CENTRALEN



3001 3002 PW
3003 3004 PW

47

Unit
R4000
Dwg. No.
V11814

Designed by
B.M.G. F.B.P.

Drawn by

Dwg. Office

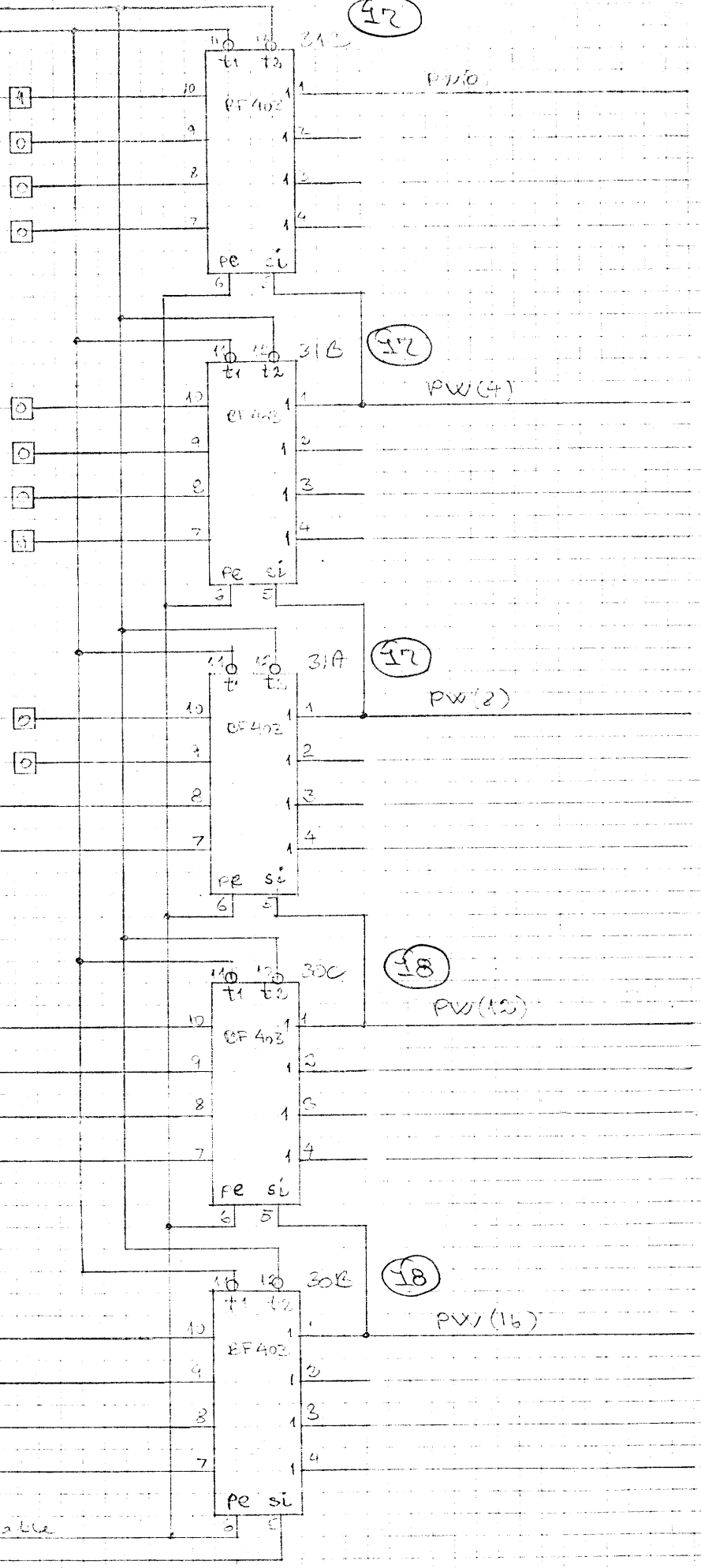
Design Check

Replaces Dwg. No.

due to ECN

Revised by Dwg. No.

- 06 17B2 CYL(0)
- 06 17B3 CYL(1)
- 06 17B4 CYL(2)
- 06 17B5 CYL(3)
- 06 17A2 CYL(4)
- 06 17A3 CYL(5)
- 06 17A4 CYL(6)
- 06 17A5 CYL(7)
- 06 11C3 HEAD(8)
- 06 11C4 HEAD(9)
- 18 3001 OW present enable
- 15 3001 PW(20)

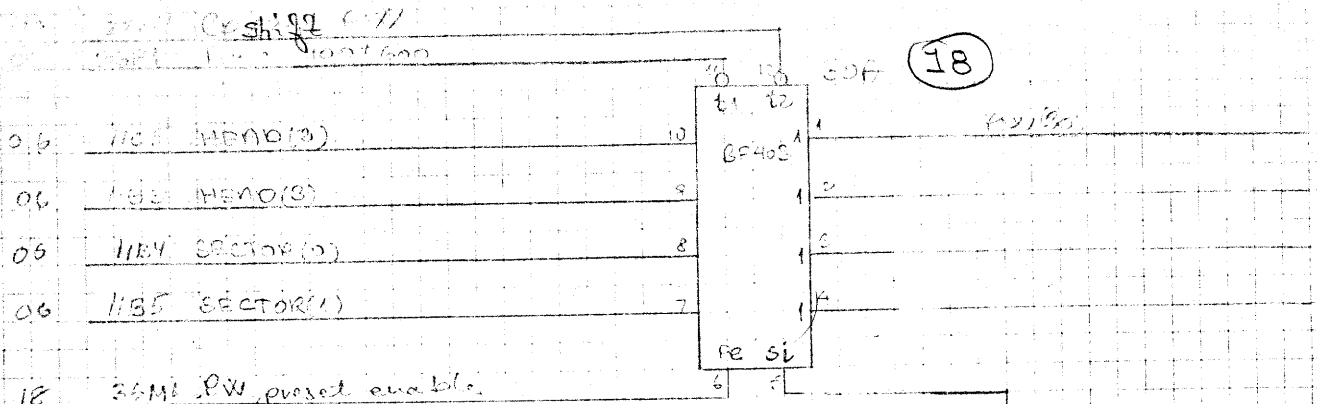


47

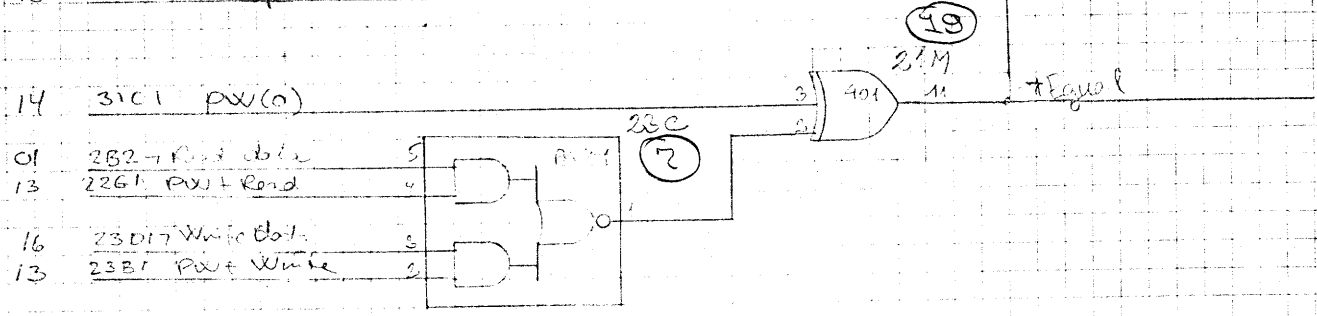
47

48

48



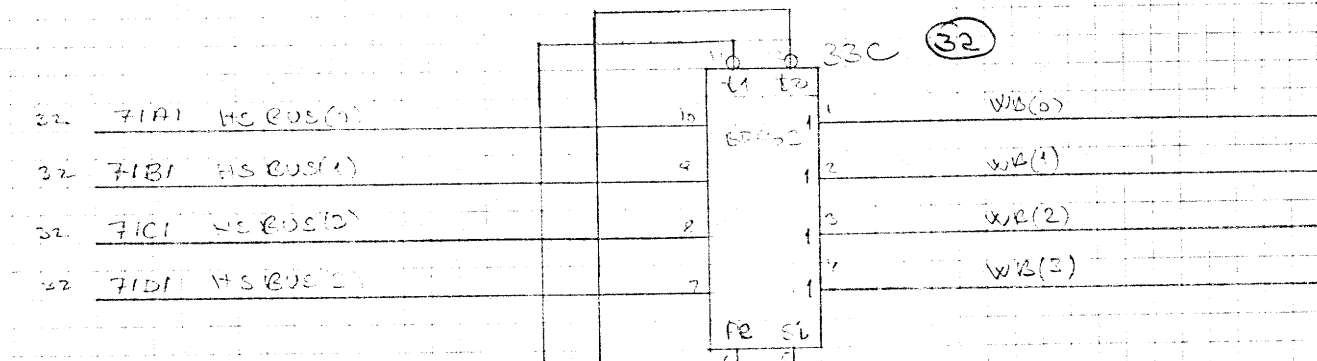
18



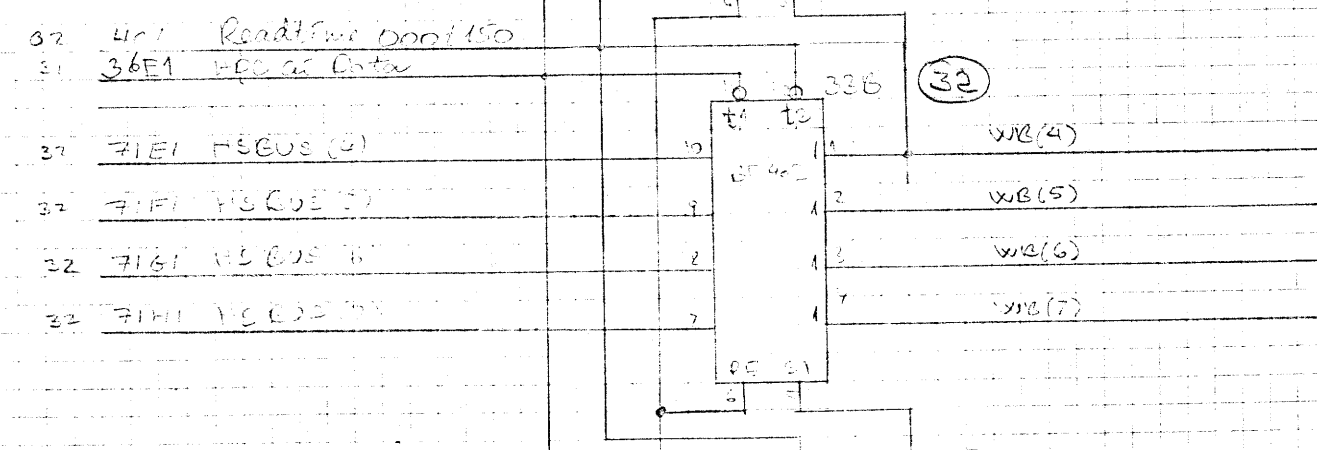
14

23C

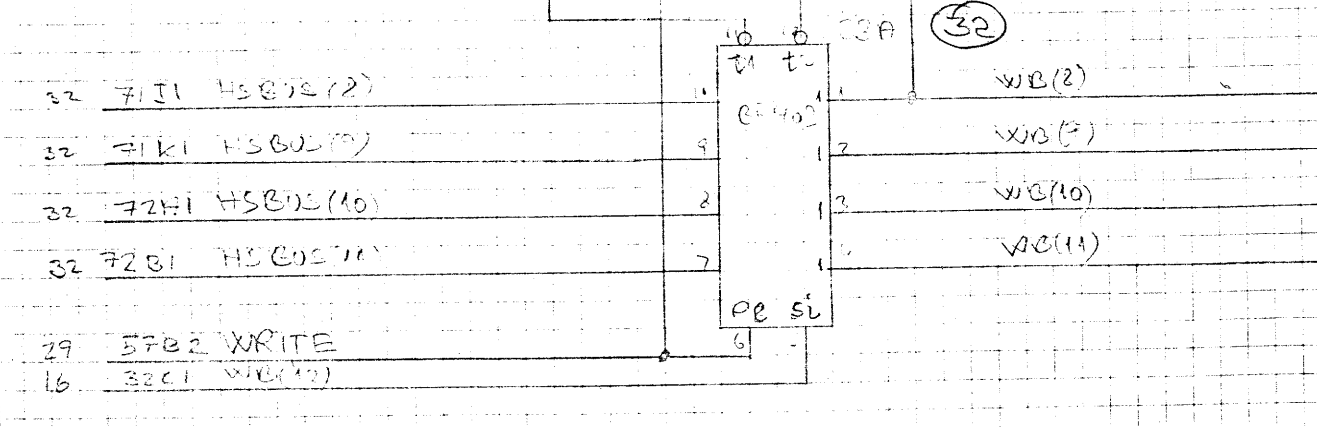
Replaces Dwg. No. due to ECN Design Check Dwg. Office Drawn by Designed by 12/169 FEP NTRALEN A/S REGN



32



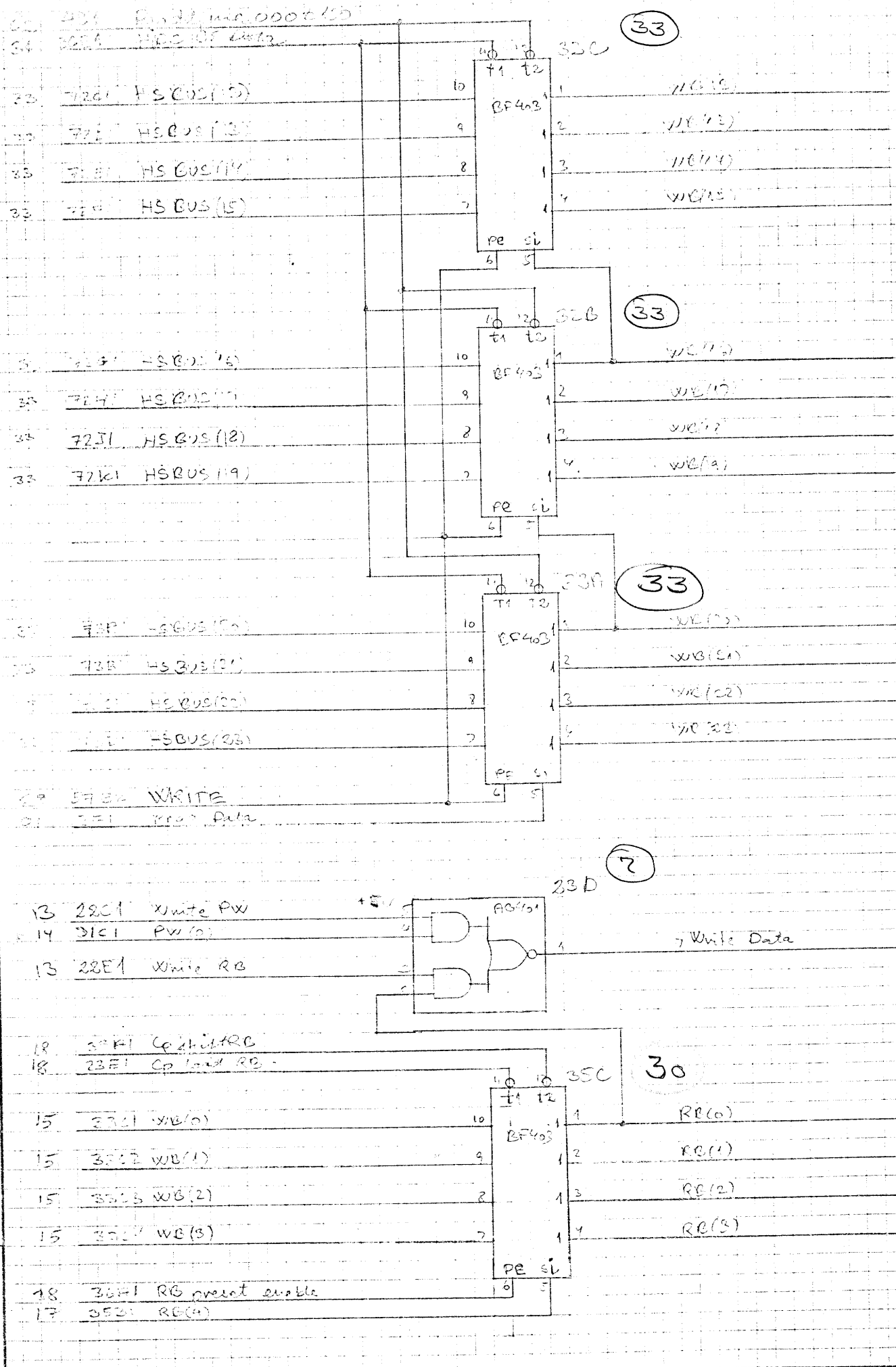
32



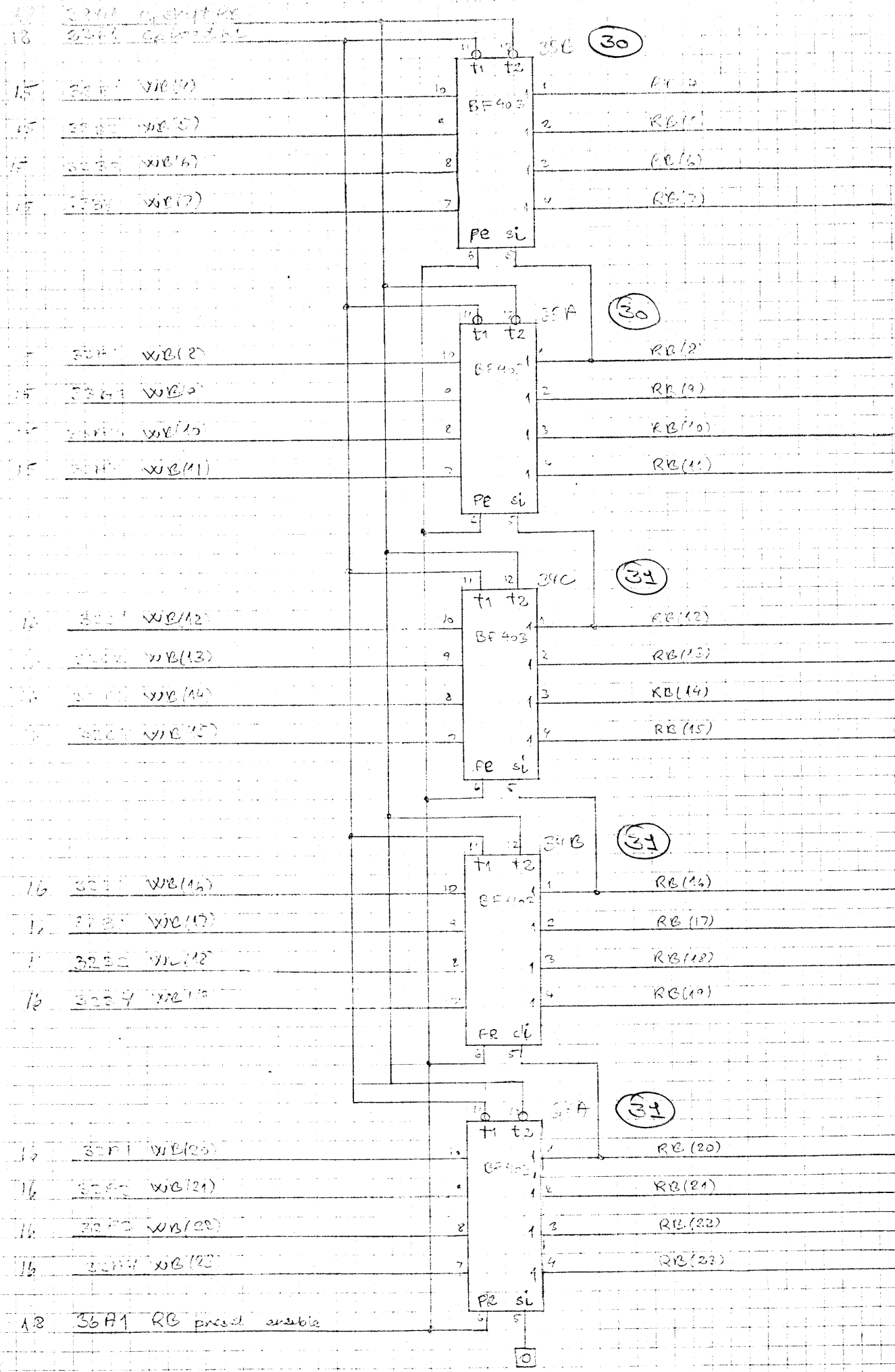
32

| | | |
|--------------------|--|--------|
| Unit RC4000 | WRITE BUFFER, WB(0-11), PARITY WORD, PW(20-23) | DFC-15 |
| Dwg. No. VM1815 | Logic Diagram | |

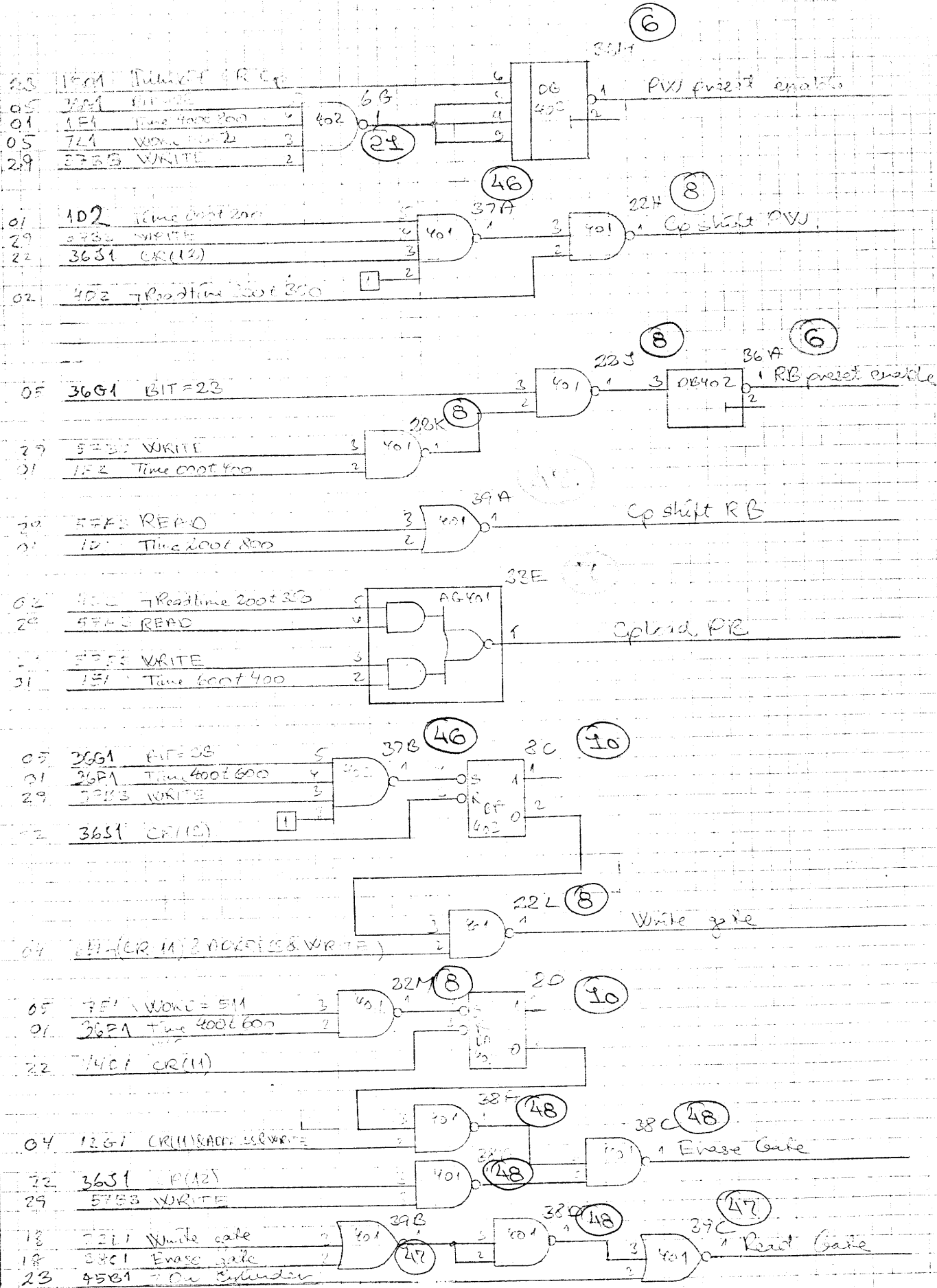
Unit
 RC4000
 Dwg. No.
 V11816



Unit No. 100
 A/S REGNL. CONTROL
 Drawn by
 Dwg. Office
 Design Check
 Replaces Dwg. No.
 due to ECN
 Ref. Dwg. No.



A/S REGNENTRALEN
 Designed by
 Drawn by
 Dwg. Office
 Design Check
 Replaces Dwg. No.
 due to ECN
 Ref. Dwg. No.



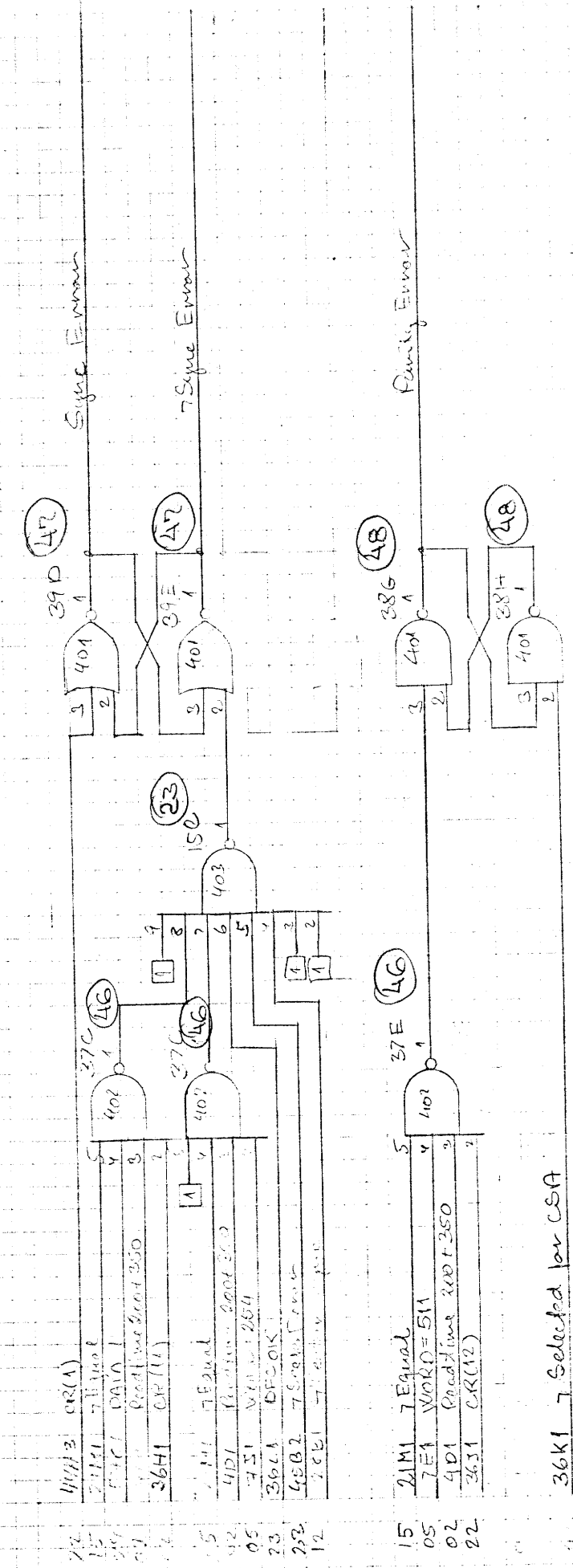
| | | |
|--------------------|--|--------|
| Unit RC 4000 | RW, RE CONTROL, OSD READ-WRITE CONTROL | DPC-10 |
| Dwg. No. V11818 | | |

Unit R 4000

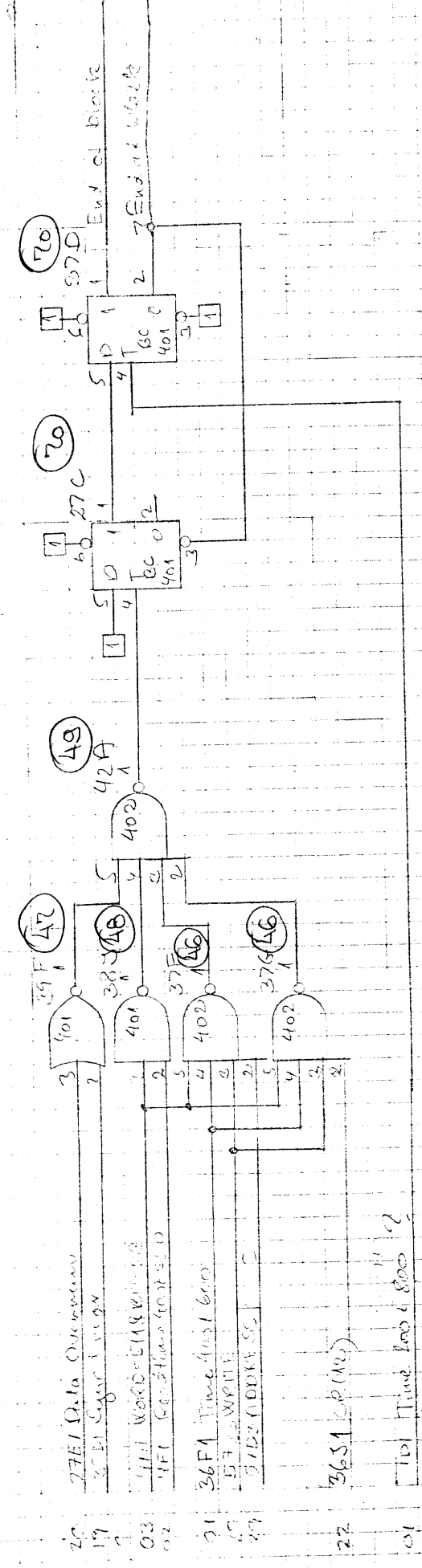
Dwg. No. V11819

SYNCHRONIZATION AND FAMILY ERROR, END OF BLOCK

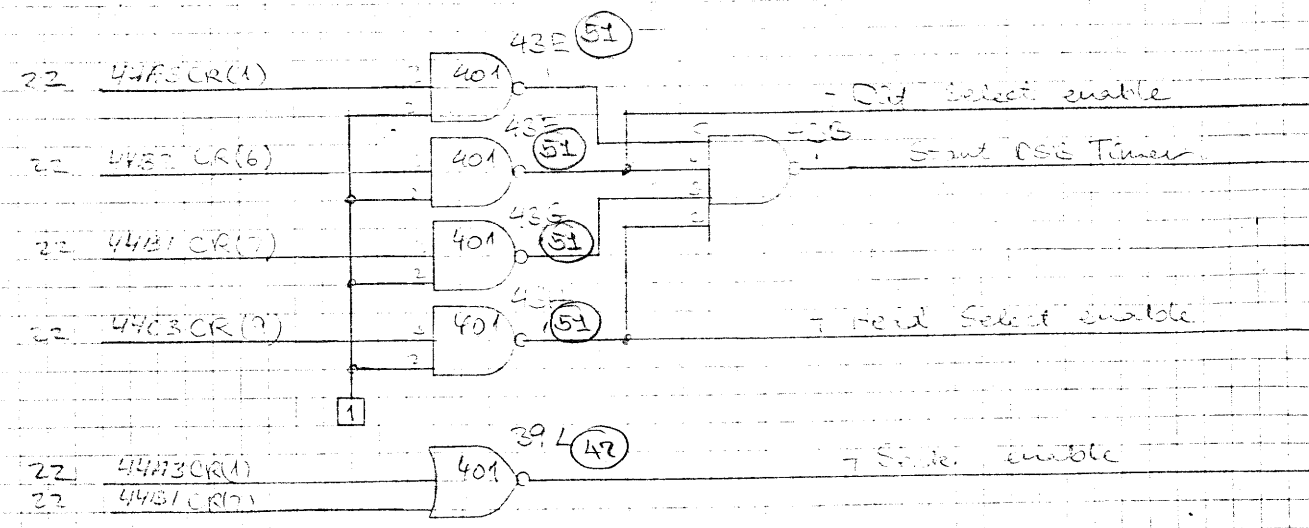
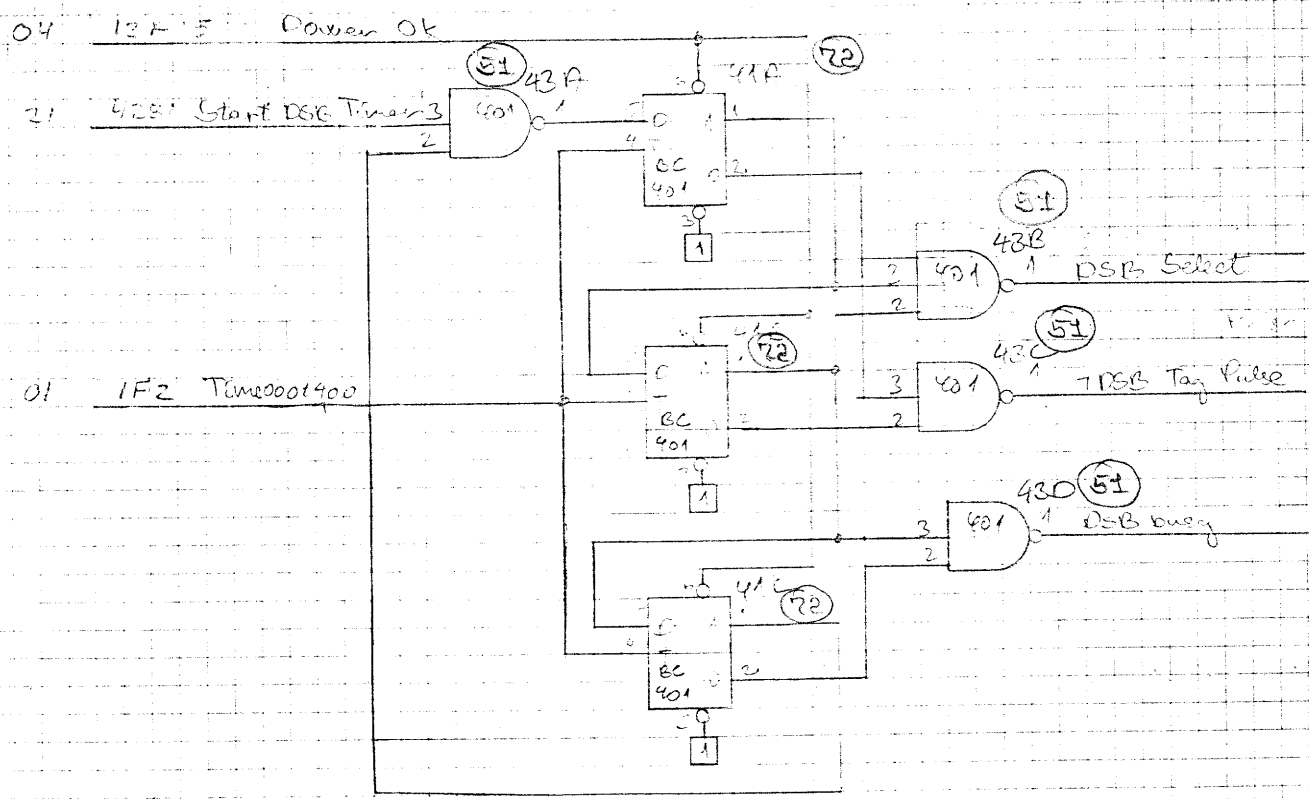
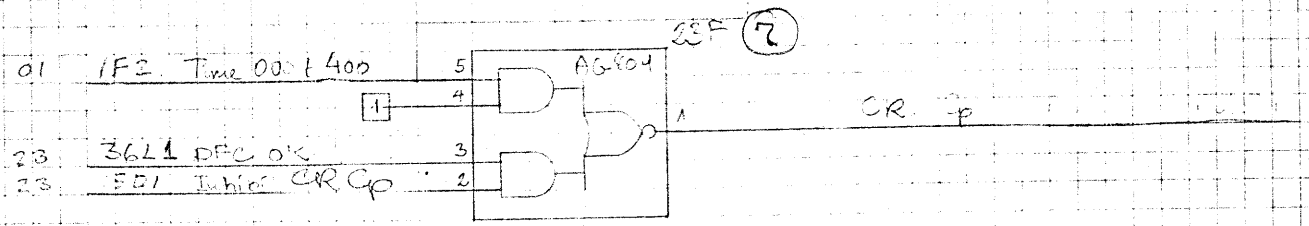
Logic Diagram



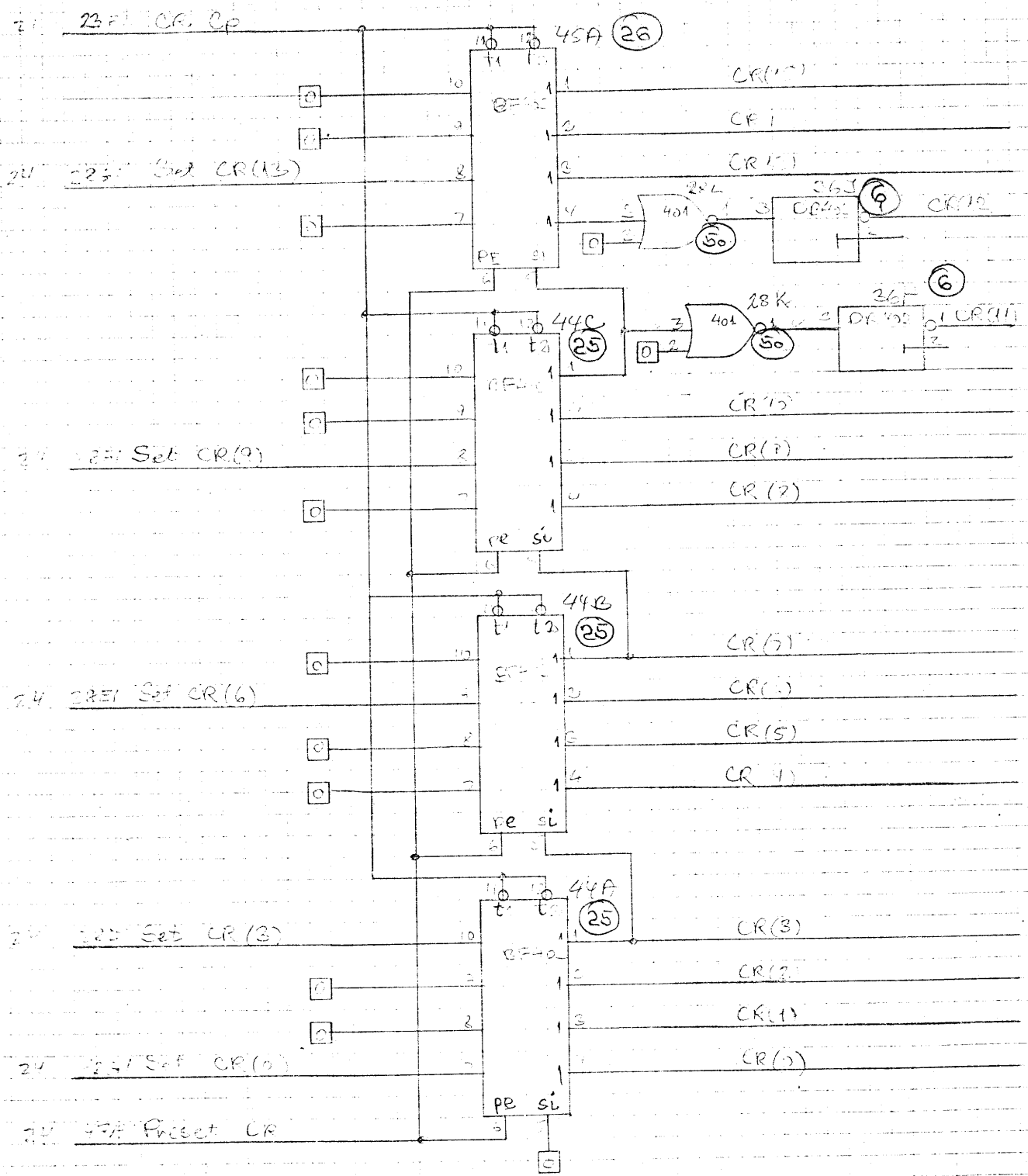
36K1 7 Selected for CSA



Dwg. No.
 Replaces Dwg. No.
 due to ECN
 Design Check
 Dwg. Office C.
 Drawn by
 Designed by
 TRALEN
 A/S REGNE

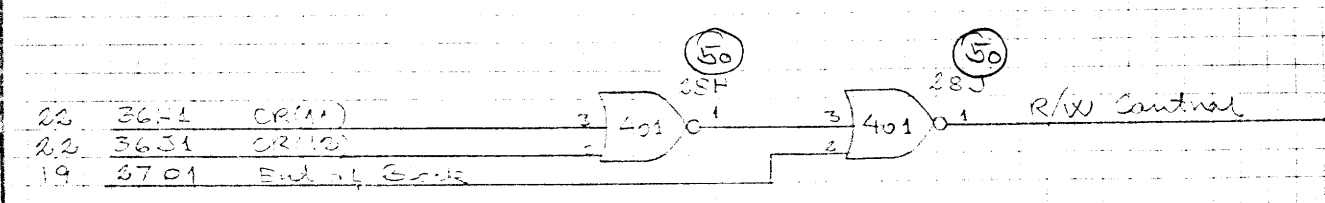
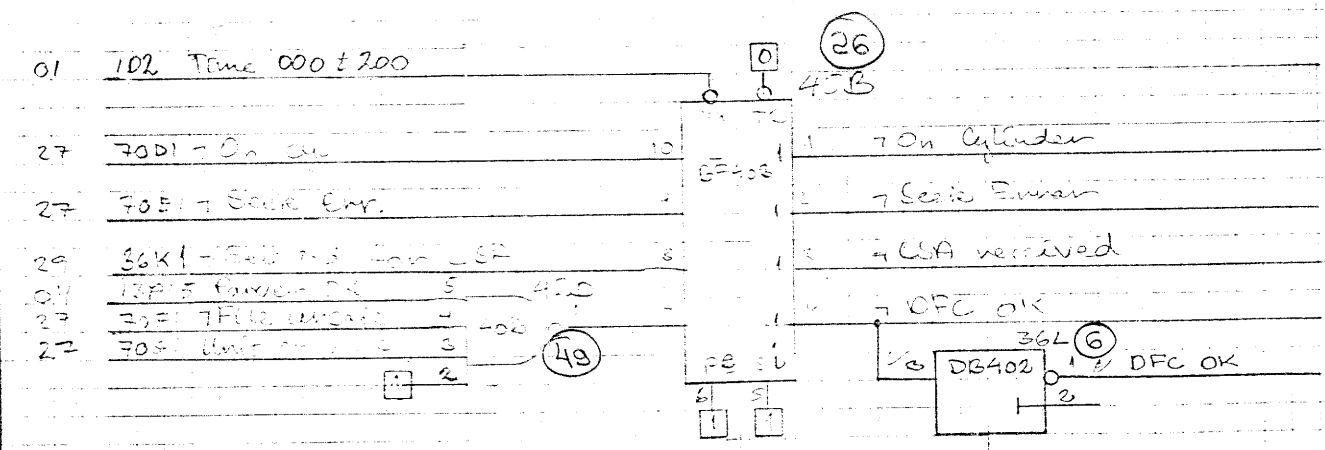
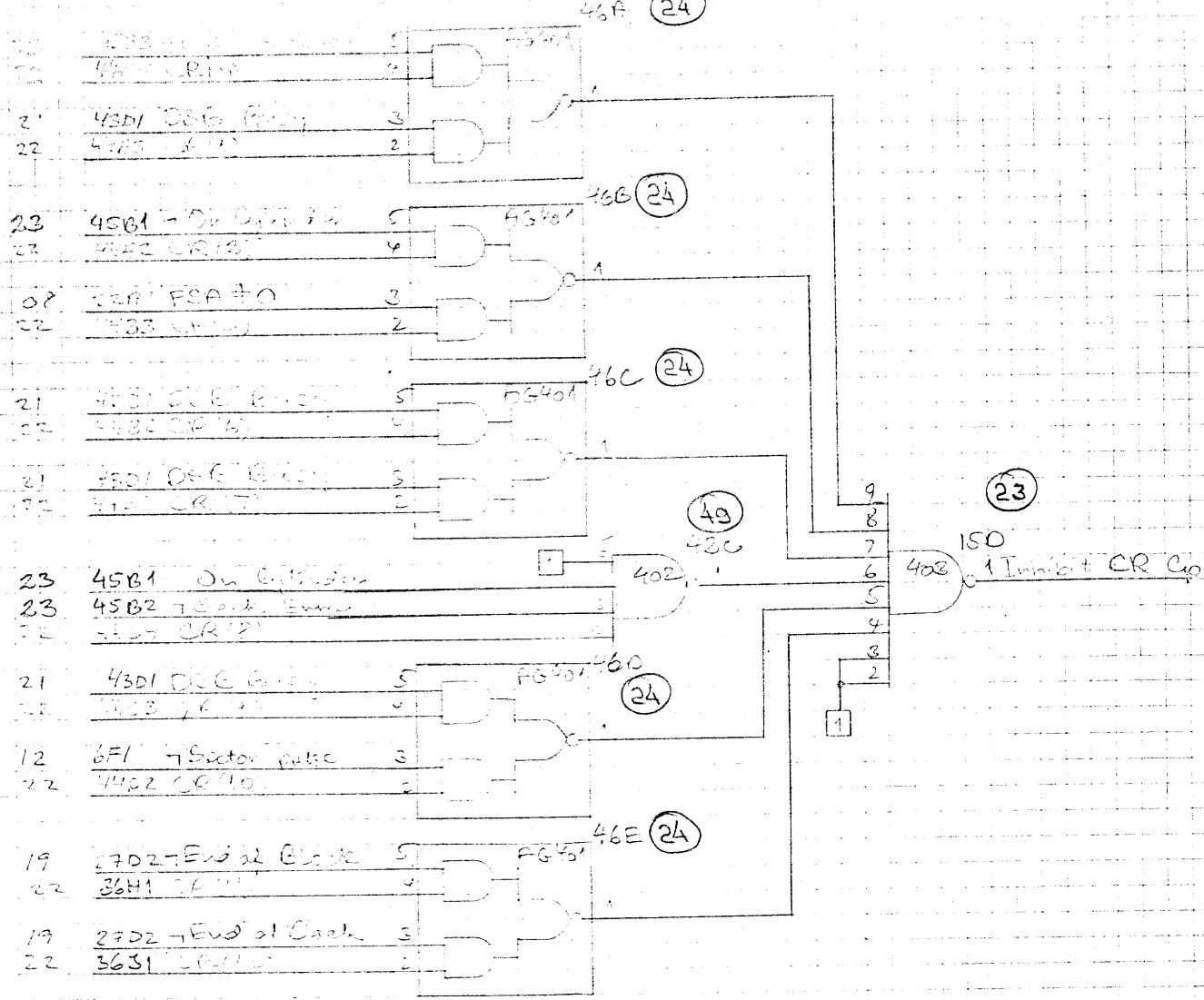


Designed by B.11.69 FCF
 Drawn by
 Dwg. Office
 Design Check
 Replaces Dwg. No. due to ECN
 by Dwg. No.



| | | |
|--------------------|------------------------------|-----|
| Unit RC4000 | CONTROL REGISTER, CR(0)-(15) | DPC |
| Dwg. No. V11822 | Logic Diagram | |

DESIGNED BY: **STRALEN**
 DRAWN BY: **STRALEN**
 DWG. OFFICE C. NO.: **191167 A 04**
 DESIGN CHECK: **STRALEN**
 REPLACES DWG. NO.: **4000**
 DUE TO ECN: **4000**
 REP. 7 DWG. NO.: **4000**



| | | | | | |
|----|------|----------------|---|-----|------|
| 23 | 45B1 | On Cyl. Error | 5 | 46A | (24) |
| 23 | 45B2 | 7 Sector Error | 2 | 46A | (24) |
| 22 | 45B3 | CR 10 | 2 | 46A | (24) |
| 21 | 43D1 | DEC Error | 5 | 46B | (24) |
| 22 | 43D2 | CR 10 | 2 | 46B | (24) |
| 21 | 45D1 | DEC Error | 5 | 46C | (24) |
| 22 | 45D2 | CR 10 | 2 | 46C | (24) |
| 21 | 45D3 | CR 10 | 2 | 46C | (24) |
| 21 | 45D4 | DEC Error | 5 | 46C | (24) |
| 22 | 45D5 | CR 10 | 2 | 46C | (24) |
| 21 | 45D6 | DEC Error | 5 | 46C | (24) |
| 22 | 45D7 | CR 10 | 2 | 46C | (24) |
| 23 | 45B1 | On Cyl. Error | 5 | 46E | (24) |
| 23 | 45B2 | 7 Sector Error | 2 | 46E | (24) |
| 22 | 45B3 | CR 10 | 2 | 46E | (24) |
| 19 | 27D2 | End of Cycle | 5 | 46E | (24) |
| 22 | 36H1 | CR 10 | 2 | 46E | (24) |
| 19 | 27D2 | End of Cycle | 5 | 46E | (24) |
| 22 | 36J1 | CR 10 | 2 | 46E | (24) |

| | | | | | |
|----|--------|----------------|----|-----|------|
| 01 | 102 | Time 000 + 200 | | 45B | (26) |
| 27 | 70D1 | On cyl | 10 | 45B | (26) |
| 27 | 70E1 | 7 Sector Err. | | 45B | (26) |
| 29 | 36K1 | End of Cycle | 5 | 45B | (26) |
| 04 | 13P5 | CR 10 | 2 | 45B | (26) |
| 27 | 70E1 | 7 Sector Err. | | 45B | (26) |
| 27 | 70E2 | 7 Sector Err. | | 45B | (26) |
| 27 | 70E3 | 7 Sector Err. | | 45B | (26) |
| 27 | 70E4 | 7 Sector Err. | | 45B | (26) |
| 27 | 70E5 | 7 Sector Err. | | 45B | (26) |
| 27 | 70E6 | 7 Sector Err. | | 45B | (26) |
| 27 | 70E7 | 7 Sector Err. | | 45B | (26) |
| 27 | 70E8 | 7 Sector Err. | | 45B | (26) |
| 27 | 70E9 | 7 Sector Err. | | 45B | (26) |
| 27 | 70E10 | 7 Sector Err. | | 45B | (26) |
| 27 | 70E11 | 7 Sector Err. | | 45B | (26) |
| 27 | 70E12 | 7 Sector Err. | | 45B | (26) |
| 27 | 70E13 | 7 Sector Err. | | 45B | (26) |
| 27 | 70E14 | 7 Sector Err. | | 45B | (26) |
| 27 | 70E15 | 7 Sector Err. | | 45B | (26) |
| 27 | 70E16 | 7 Sector Err. | | 45B | (26) |
| 27 | 70E17 | 7 Sector Err. | | 45B | (26) |
| 27 | 70E18 | 7 Sector Err. | | 45B | (26) |
| 27 | 70E19 | 7 Sector Err. | | 45B | (26) |
| 27 | 70E20 | 7 Sector Err. | | 45B | (26) |
| 27 | 70E21 | 7 Sector Err. | | 45B | (26) |
| 27 | 70E22 | 7 Sector Err. | | 45B | (26) |
| 27 | 70E23 | 7 Sector Err. | | 45B | (26) |
| 27 | 70E24 | 7 Sector Err. | | 45B | (26) |
| 27 | 70E25 | 7 Sector Err. | | 45B | (26) |
| 27 | 70E26 | 7 Sector Err. | | 45B | (26) |
| 27 | 70E27 | 7 Sector Err. | | 45B | (26) |
| 27 | 70E28 | 7 Sector Err. | | 45B | (26) |
| 27 | 70E29 | 7 Sector Err. | | 45B | (26) |
| 27 | 70E30 | 7 Sector Err. | | 45B | (26) |
| 27 | 70E31 | 7 Sector Err. | | 45B | (26) |
| 27 | 70E32 | 7 Sector Err. | | 45B | (26) |
| 27 | 70E33 | 7 Sector Err. | | 45B | (26) |
| 27 | 70E34 | 7 Sector Err. | | 45B | (26) |
| 27 | 70E35 | 7 Sector Err. | | 45B | (26) |
| 27 | 70E36 | 7 Sector Err. | | 45B | (26) |
| 27 | 70E37 | 7 Sector Err. | | 45B | (26) |
| 27 | 70E38 | 7 Sector Err. | | 45B | (26) |
| 27 | 70E39 | 7 Sector Err. | | 45B | (26) |
| 27 | 70E40 | 7 Sector Err. | | 45B | (26) |
| 27 | 70E41 | 7 Sector Err. | | 45B | (26) |
| 27 | 70E42 | 7 Sector Err. | | 45B | (26) |
| 27 | 70E43 | 7 Sector Err. | | 45B | (26) |
| 27 | 70E44 | 7 Sector Err. | | 45B | (26) |
| 27 | 70E45 | 7 Sector Err. | | 45B | (26) |
| 27 | 70E46 | 7 Sector Err. | | 45B | (26) |
| 27 | 70E47 | 7 Sector Err. | | 45B | (26) |
| 27 | 70E48 | 7 Sector Err. | | 45B | (26) |
| 27 | 70E49 | 7 Sector Err. | | 45B | (26) |
| 27 | 70E50 | 7 Sector Err. | | 45B | (26) |
| 27 | 70E51 | 7 Sector Err. | | 45B | (26) |
| 27 | 70E52 | 7 Sector Err. | | 45B | (26) |
| 27 | 70E53 | 7 Sector Err. | | 45B | (26) |
| 27 | 70E54 | 7 Sector Err. | | 45B | (26) |
| 27 | 70E55 | 7 Sector Err. | | 45B | (26) |
| 27 | 70E56 | 7 Sector Err. | | 45B | (26) |
| 27 | 70E57 | 7 Sector Err. | | 45B | (26) |
| 27 | 70E58 | 7 Sector Err. | | 45B | (26) |
| 27 | 70E59 | 7 Sector Err. | | 45B | (26) |
| 27 | 70E60 | 7 Sector Err. | | 45B | (26) |
| 27 | 70E61 | 7 Sector Err. | | 45B | (26) |
| 27 | 70E62 | 7 Sector Err. | | 45B | (26) |
| 27 | 70E63 | 7 Sector Err. | | 45B | (26) |
| 27 | 70E64 | 7 Sector Err. | | 45B | (26) |
| 27 | 70E65 | 7 Sector Err. | | 45B | (26) |
| 27 | 70E66 | 7 Sector Err. | | 45B | (26) |
| 27 | 70E67 | 7 Sector Err. | | 45B | (26) |
| 27 | 70E68 | 7 Sector Err. | | 45B | (26) |
| 27 | 70E69 | 7 Sector Err. | | 45B | (26) |
| 27 | 70E70 | 7 Sector Err. | | 45B | (26) |
| 27 | 70E71 | 7 Sector Err. | | 45B | (26) |
| 27 | 70E72 | 7 Sector Err. | | 45B | (26) |
| 27 | 70E73 | 7 Sector Err. | | 45B | (26) |
| 27 | 70E74 | 7 Sector Err. | | 45B | (26) |
| 27 | 70E75 | 7 Sector Err. | | 45B | (26) |
| 27 | 70E76 | 7 Sector Err. | | 45B | (26) |
| 27 | 70E77 | 7 Sector Err. | | 45B | (26) |
| 27 | 70E78 | 7 Sector Err. | | 45B | (26) |
| 27 | 70E79 | 7 Sector Err. | | 45B | (26) |
| 27 | 70E80 | 7 Sector Err. | | 45B | (26) |
| 27 | 70E81 | 7 Sector Err. | | 45B | (26) |
| 27 | 70E82 | 7 Sector Err. | | 45B | (26) |
| 27 | 70E83 | 7 Sector Err. | | 45B | (26) |
| 27 | 70E84 | 7 Sector Err. | | 45B | (26) |
| 27 | 70E85 | 7 Sector Err. | | 45B | (26) |
| 27 | 70E86 | 7 Sector Err. | | 45B | (26) |
| 27 | 70E87 | 7 Sector Err. | | 45B | (26) |
| 27 | 70E88 | 7 Sector Err. | | 45B | (26) |
| 27 | 70E89 | 7 Sector Err. | | 45B | (26) |
| 27 | 70E90 | 7 Sector Err. | | 45B | (26) |
| 27 | 70E91 | 7 Sector Err. | | 45B | (26) |
| 27 | 70E92 | 7 Sector Err. | | 45B | (26) |
| 27 | 70E93 | 7 Sector Err. | | 45B | (26) |
| 27 | 70E94 | 7 Sector Err. | | 45B | (26) |
| 27 | 70E95 | 7 Sector Err. | | 45B | (26) |
| 27 | 70E96 | 7 Sector Err. | | 45B | (26) |
| 27 | 70E97 | 7 Sector Err. | | 45B | (26) |
| 27 | 70E98 | 7 Sector Err. | | 45B | (26) |
| 27 | 70E99 | 7 Sector Err. | | 45B | (26) |
| 27 | 70E100 | 7 Sector Err. | | 45B | (26) |

Unit
 RC4000
 Dwg. No.
 V11824

A/S REGENCENTRALEN

Designed by
 271167 EBF

Drawn by

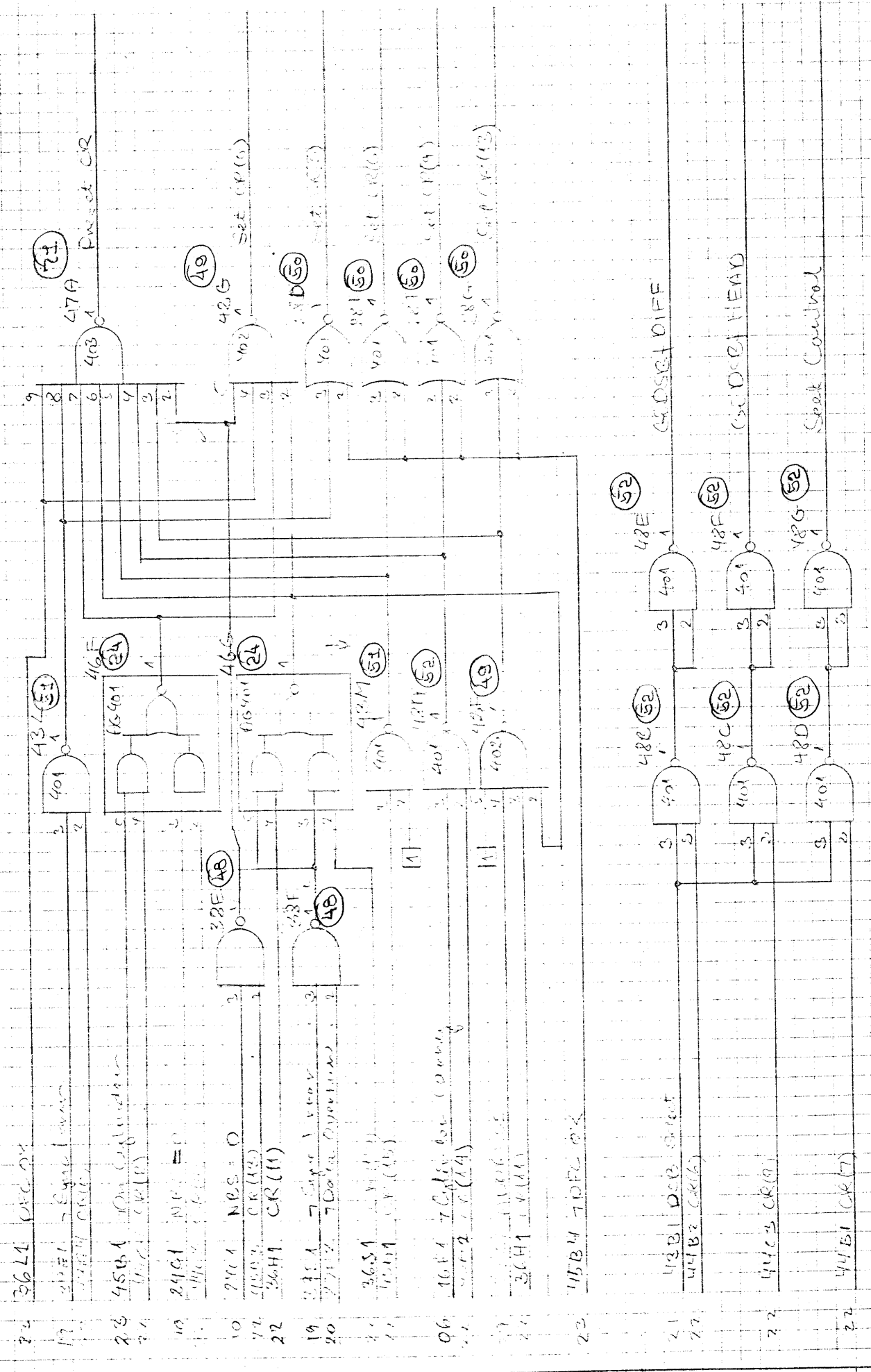
Dwg. Office Check

Design Check

Replaces Dwg. No.

due to ECN

ed by Dwg. No.



DPC-27

Unit
RC4000
 Dwg. No.
V11825

Designed by
27162 FCB

Drawn by

Dwg. Office

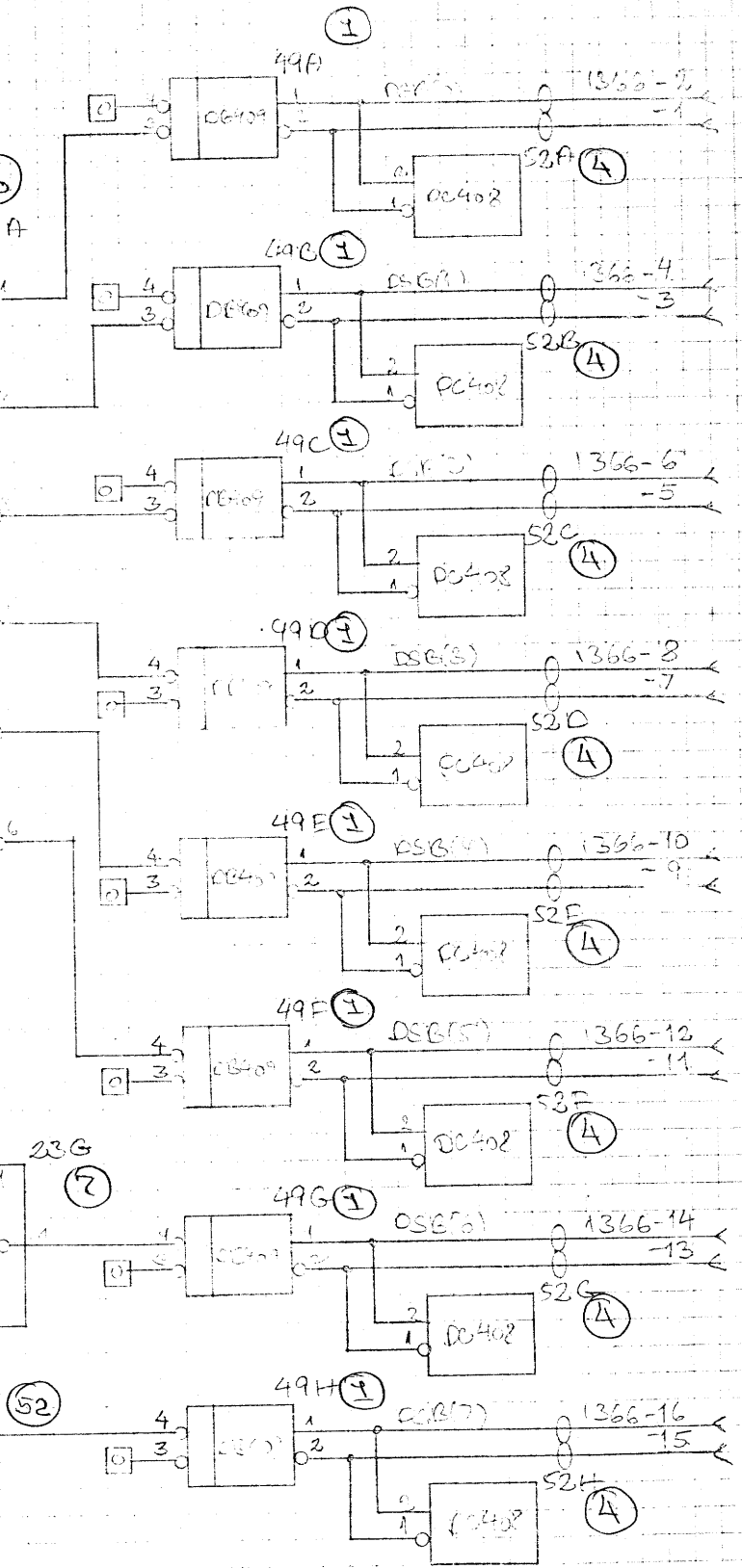
Design Check

Replaces Dwg. No.

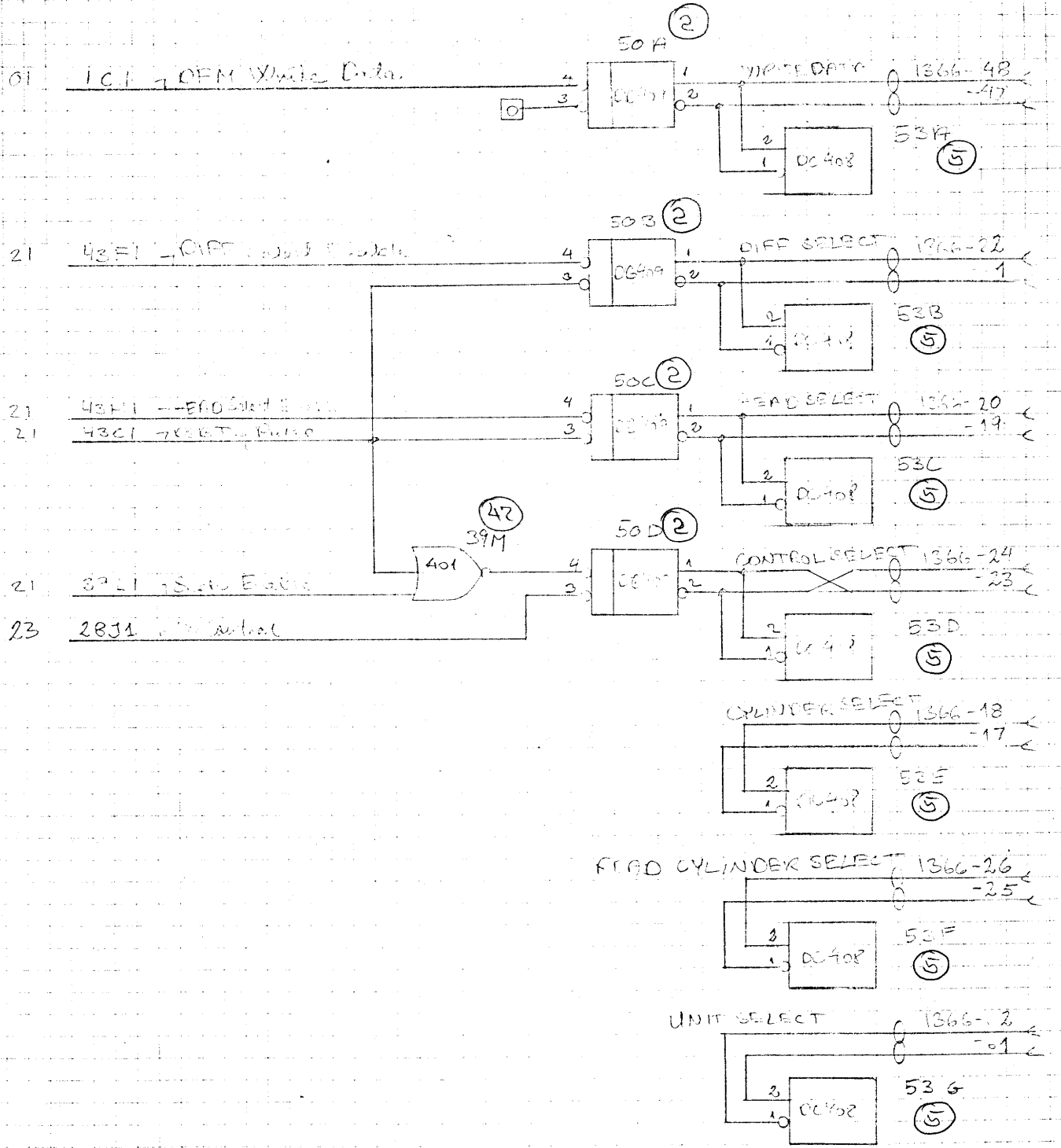
due to ECN

Rep. of Dwg. No.

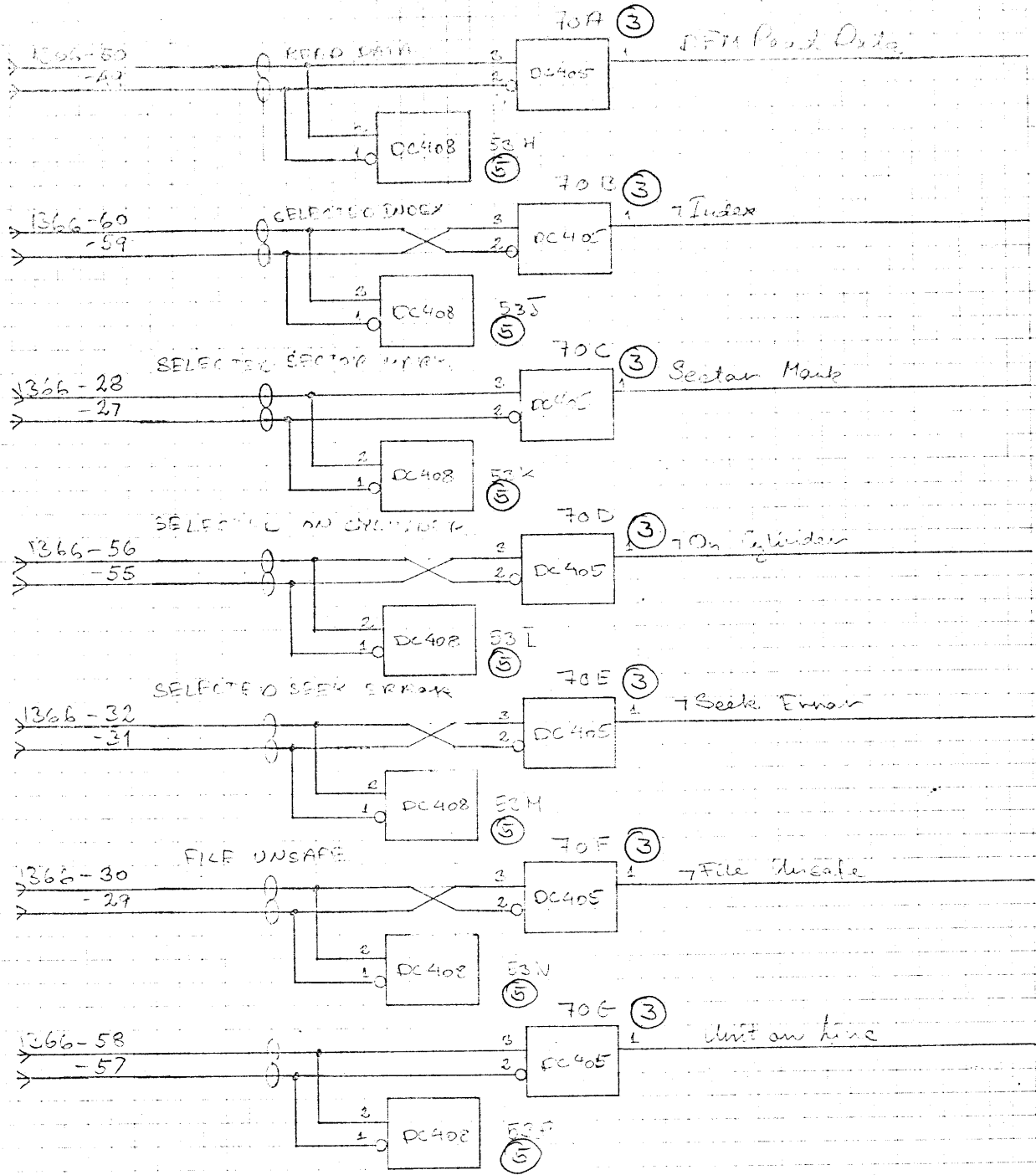
| | | | | |
|----|------|----------------|---|----|
| 18 | 22L1 | Write Bus | 0 | 12 |
| 06 | 11B3 | HEAD(2) | 0 | 11 |
| 07 | 21H1 | DIFF(2) | 0 | 12 |
| 18 | 39C1 | Read Bus | 0 | 12 |
| 06 | 11C5 | HEAD(2) | 0 | 12 |
| 07 | 21G1 | DIFF(2) | 0 | 12 |
| 07 | 21F2 | Forward | 0 | 12 |
| 06 | 11C4 | HEAD(1) | 0 | 12 |
| 07 | 21F1 | DIFF | 0 | 12 |
| 06 | 11C3 | HEAD(1) | 0 | 12 |
| 07 | 21E1 | DIFF | 0 | 12 |
| 18 | 39C1 | Erase Bus | 0 | 12 |
| 07 | 21D1 | DIFF(3) | 0 | 12 |
| 07 | 21F1 | Reverse | 0 | 12 |
| 07 | 21C1 | DIFF(2) | 0 | 11 |
| 24 | 4861 | Serial Control | 0 | 10 |
| 23 | 4833 | R/W Control | 0 | 10 |
| 24 | 4821 | ADDRESS HEAD | 0 | 10 |
| 24 | 4851 | ADDRESS DIFF | 0 | 10 |



Unit: A/S RECNECENTRALEN
 Designed by: 2/11/68 J.R.P.
 Drawn by:
 Dwg. Office Check:
 Design Check:
 Replaces Dwg. No.:
 due to ECN:
 Repro of Dwg. No.:

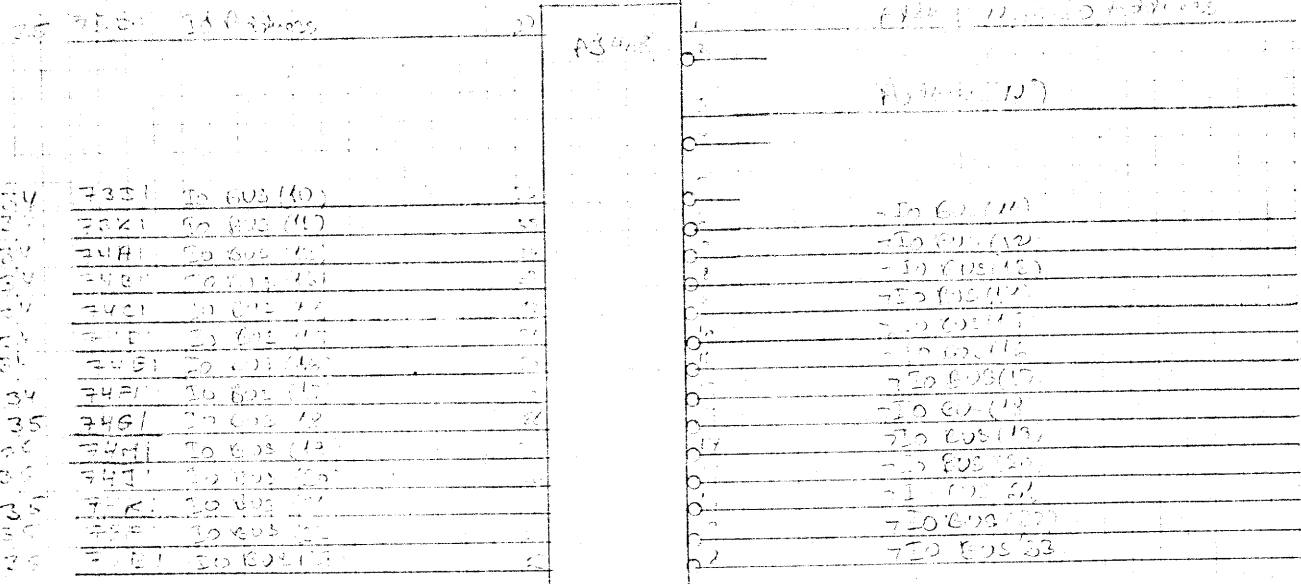


Designed by: 20.10.69 F.B.C.
 Drawn by:
 Dwg. Office:
 Design Check:
 Replaces Dwg. No. due to E.C.N.
 Issued by Dwg. No.

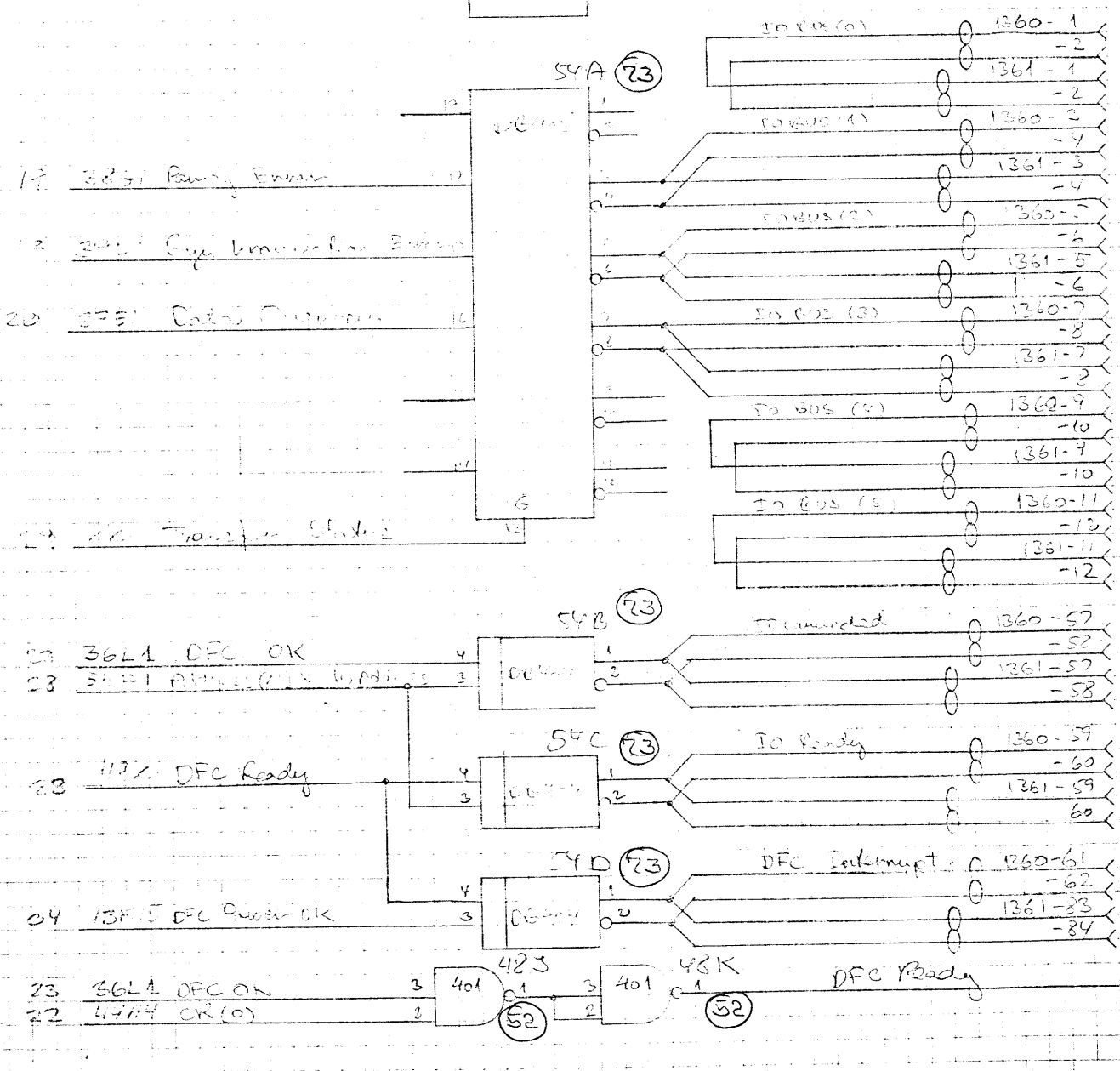


| | |
|--------|---------|
| 0 Volt | 1366-86 |
| 0 Volt | 1366-87 |
| 5V | 1366-88 |
| Mass | 1366-89 |
| Mass | 1366-90 |

38



FC doc: V8 110
A/S REGN. CENTRALEN
Designed by
Drawn by
Design Check
Replaces Dwg. No.
due to EGN
by Dwg. No.



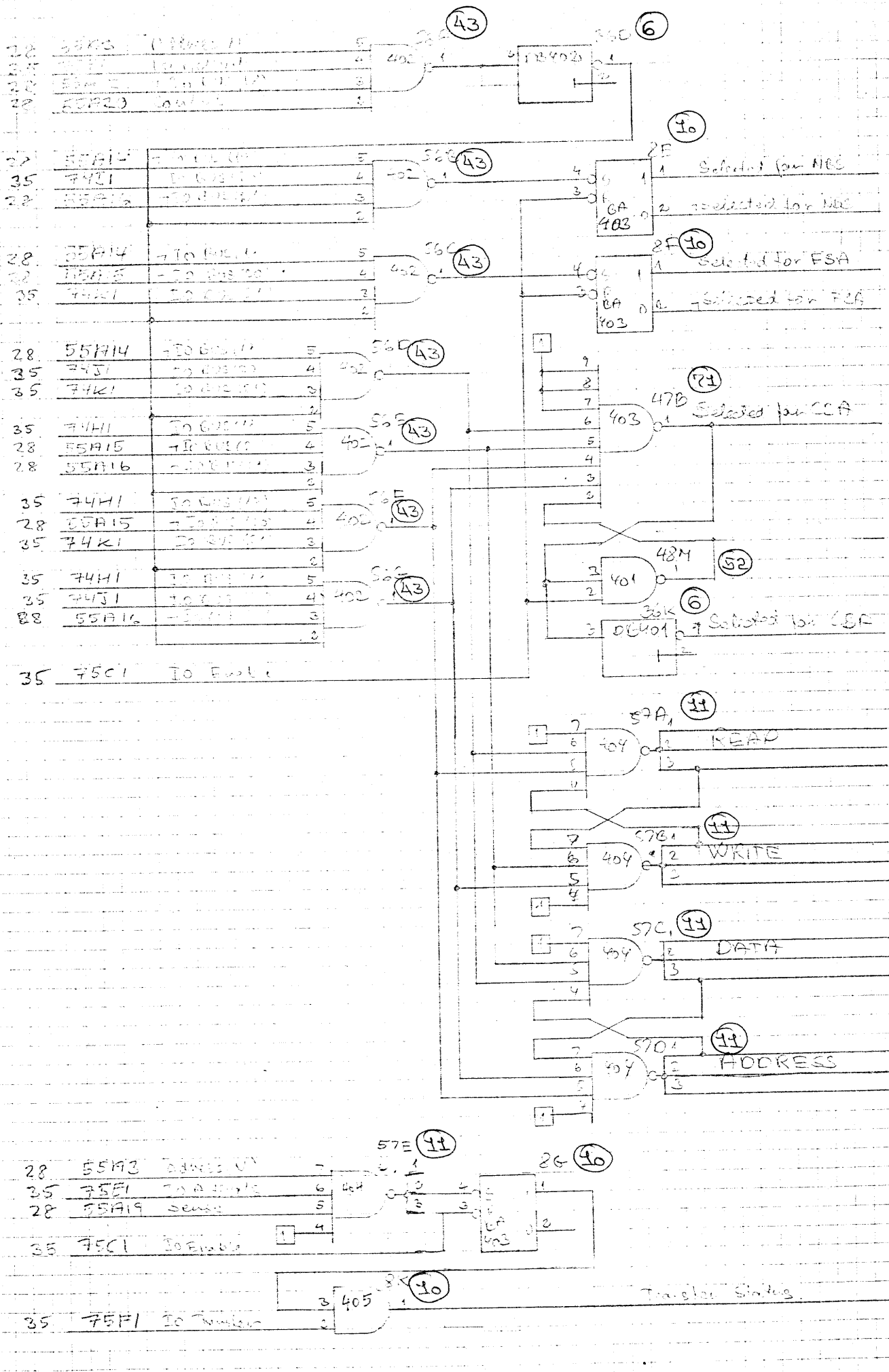
DFC OK, IO READY, DFC INTERRUPT, DFC READY

DFC-22

Logic Diagram

Dwg No. V11828

Rep. by Dwg. No. due to ECN Replaces Dwg. No. Design Check Dwg. Office Check Drawn by Designed by
 A/S REGNENTRALEN

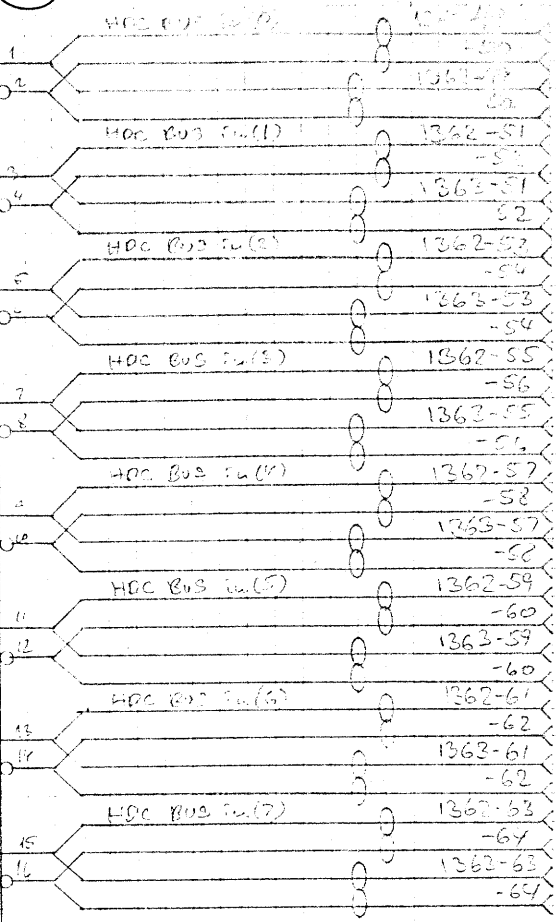
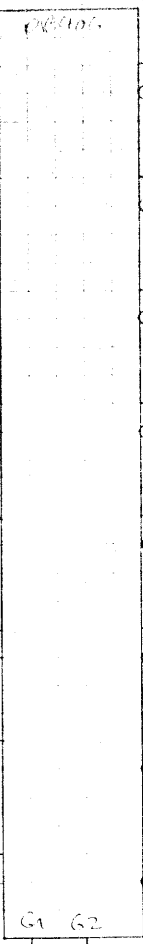


| | | |
|----------|---------------------|------------|
| Unit | LOC CONTROL DEBOARD | DATE |
| Dwg. No. | V11829 | DATE DRAWN |

76A

27

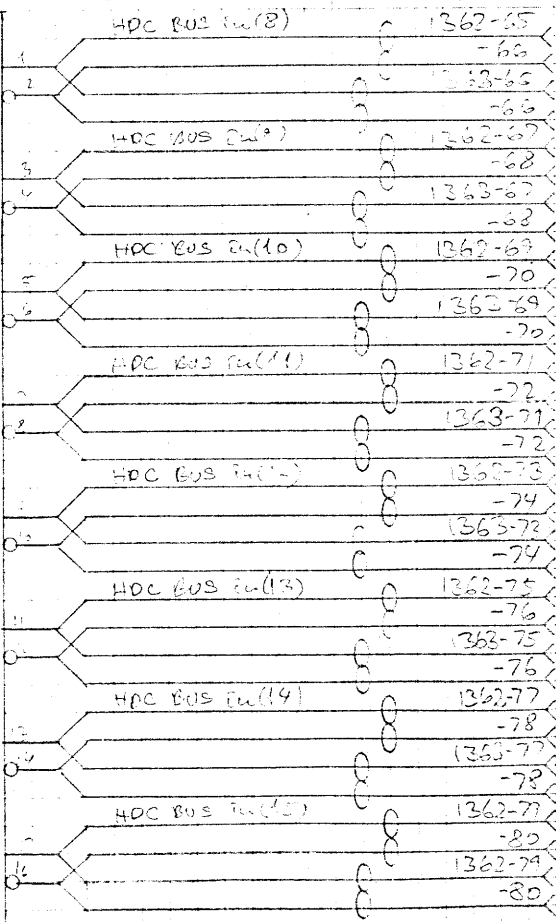
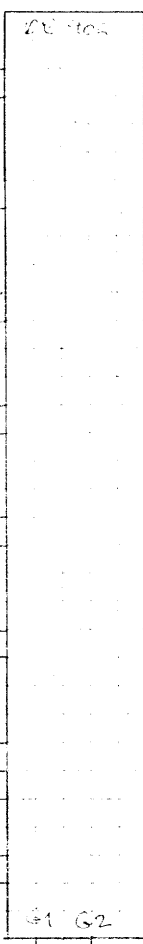
| | | | |
|----|------|-----------------|----|
| 13 | 3521 | RB(5) | 17 |
| 14 | 3522 | RB(1) | 22 |
| 15 | 3523 | RB(2) | 24 |
| 16 | 3524 | RB(3) | 27 |
| 17 | 3521 | RB(4) | 26 |
| 17 | 35B2 | RB(5) | 23 |
| 17 | 35B5 | CS(6) | 22 |
| 17 | 35B2 | RB(6) | 21 |
| 17 | 35B7 | CS(7) | 20 |
| 17 | 35B4 | RB(7) | 19 |
| 31 | 36C1 | HOC Bus Address | 12 |
| 31 | 36B1 | Transmit Data | 17 |



77A

28

| | | | |
|----|------|-----------------|----|
| 17 | 3525 | CS(8) | 24 |
| 17 | 3521 | RB(9) | 23 |
| 17 | 3524 | CS(9) | 22 |
| 17 | 3522 | RB(9) | 21 |
| 17 | 3525 | CS(10) | 20 |
| 17 | 3523 | RB(10) | 19 |
| 17 | 3525 | CS(11) | 22 |
| 17 | 3524 | RB(11) | 21 |
| 17 | 3525 | CS(12) | 26 |
| 17 | 3521 | RB(12) | 25 |
| 17 | 3527 | CS(13) | 24 |
| 17 | 3525 | RB(13) | 23 |
| 17 | 3525 | CS(14) | 22 |
| 17 | 3523 | RB(14) | 21 |
| 17 | 35B2 | CS(15) | 20 |
| 17 | 3521 | RB(15) | 19 |
| 31 | 36C1 | HOC Bus Address | 12 |
| 31 | 36B1 | Transmit Data | 17 |



Unit
R4000
Dwg. No.
V11830

Replaces Dwg. No.
due to ECN

Design Check

Dwg. Office

Drawn by

Designed by

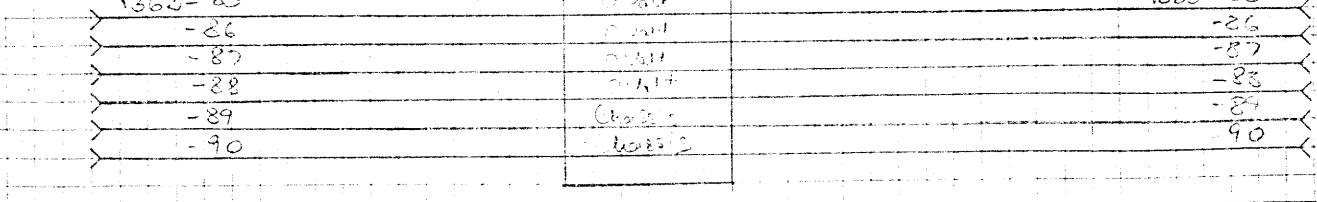
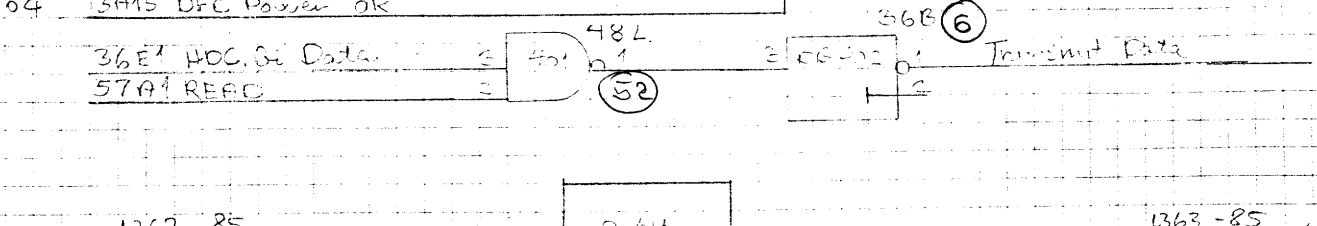
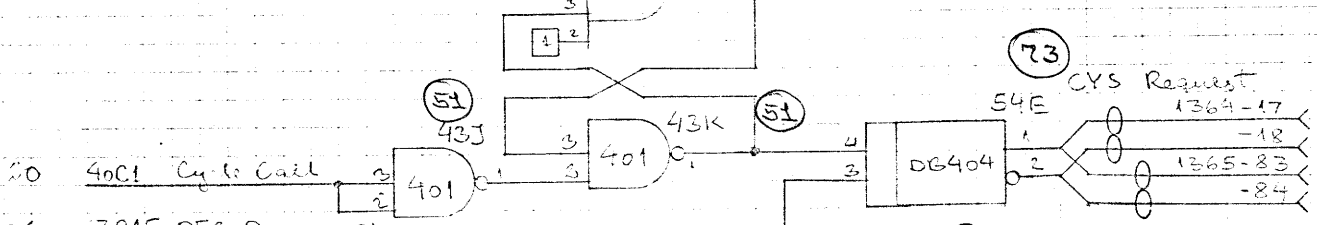
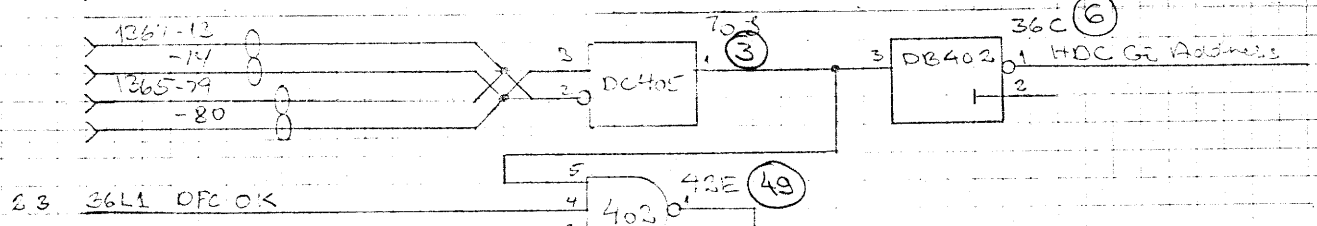
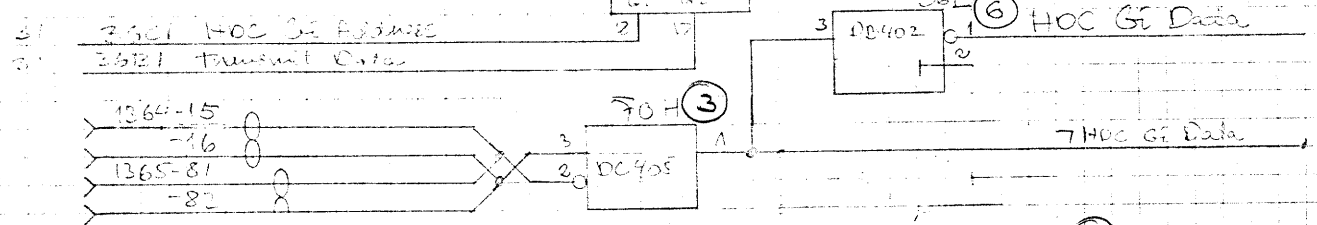
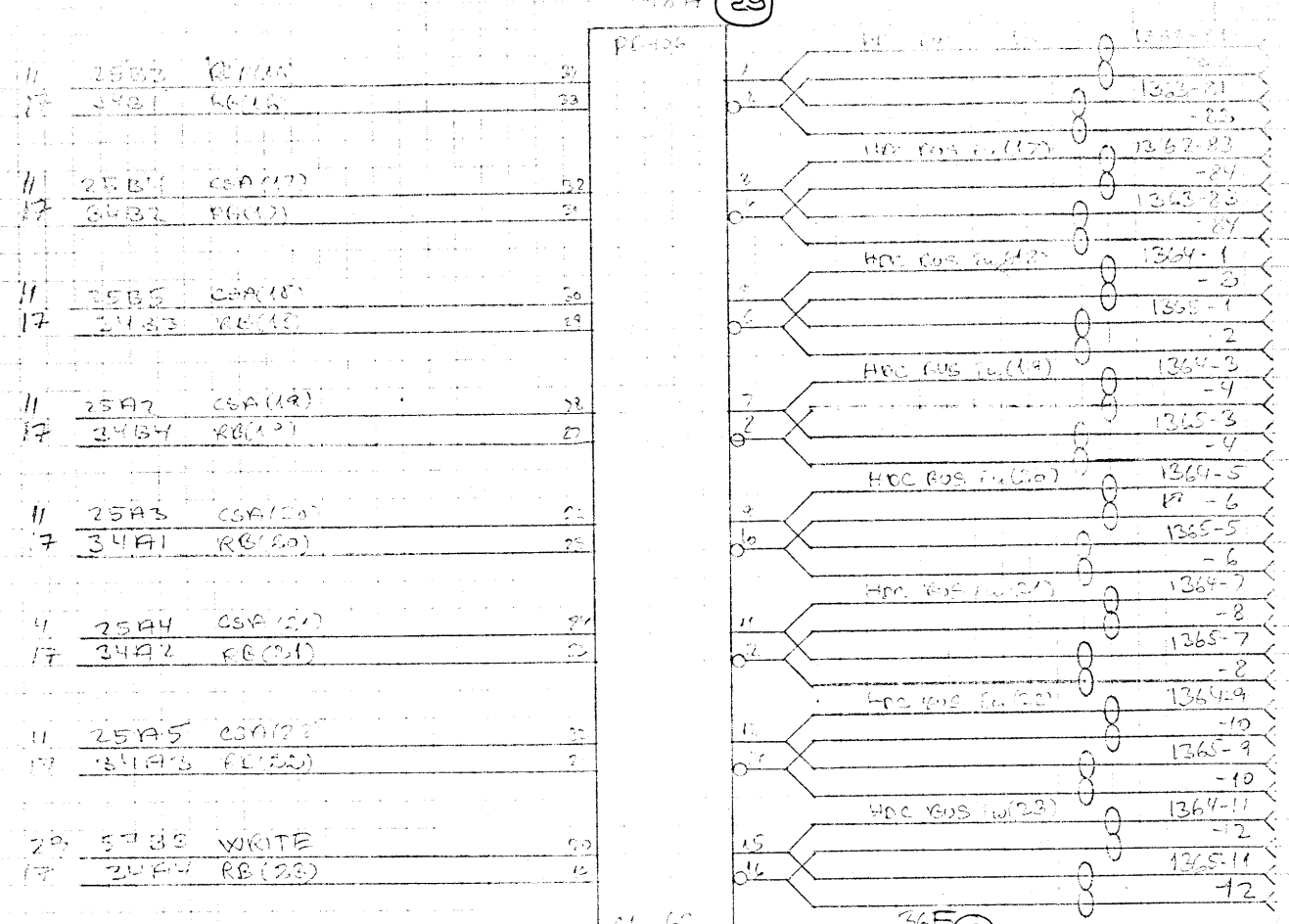
INTRALEN

A/S REGN

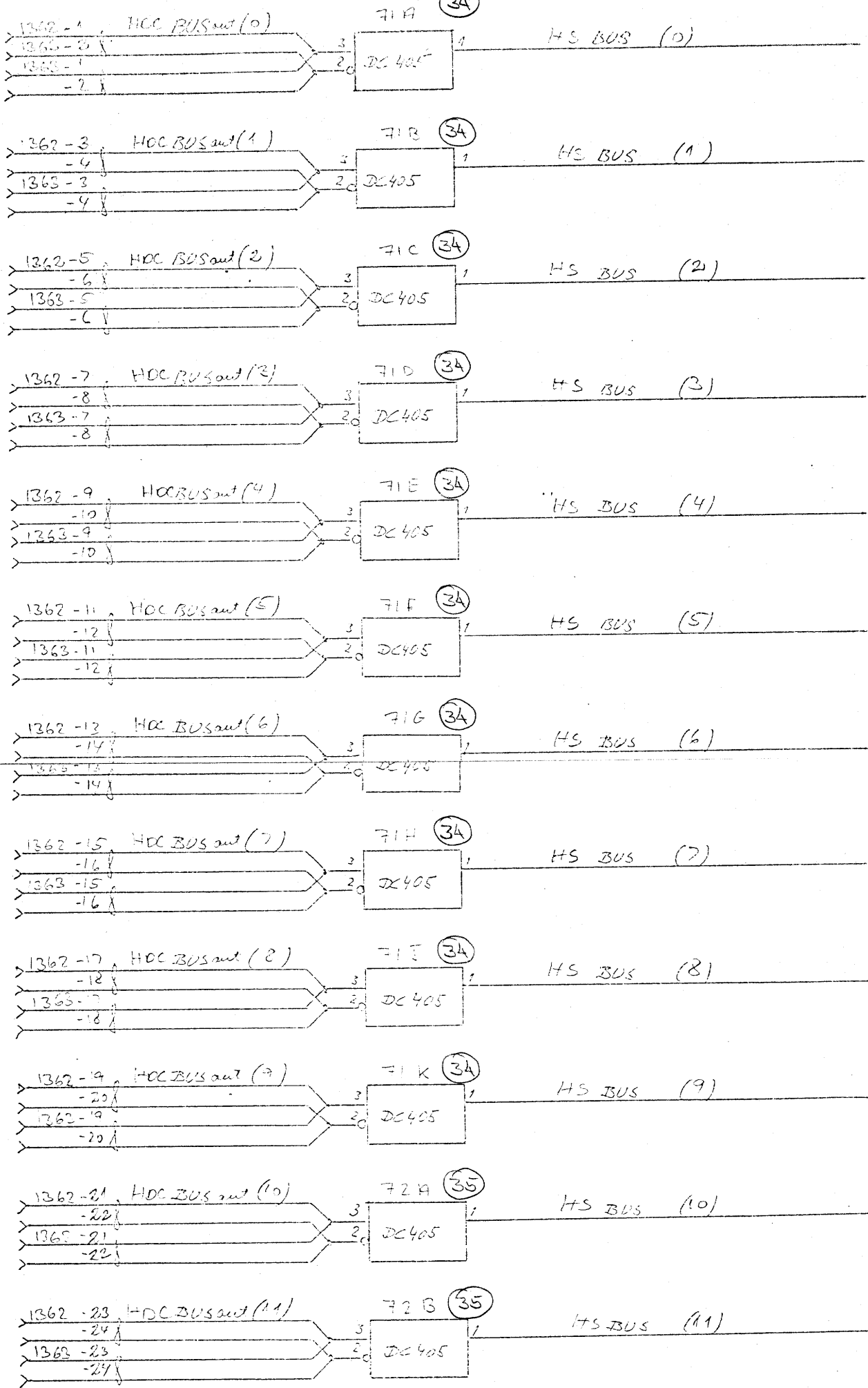
HOC BUS in(0:15)
Logic Diagram

OPC-30

Unit: 804000
 Dwg. No. V11831
 Drawn by: FBP
 Designed by: 181169 FBP
 Dwg. Office C
 Design Check
 Replaces Dwg. No.
 due to ECN
 Ref. by Dwg. No.



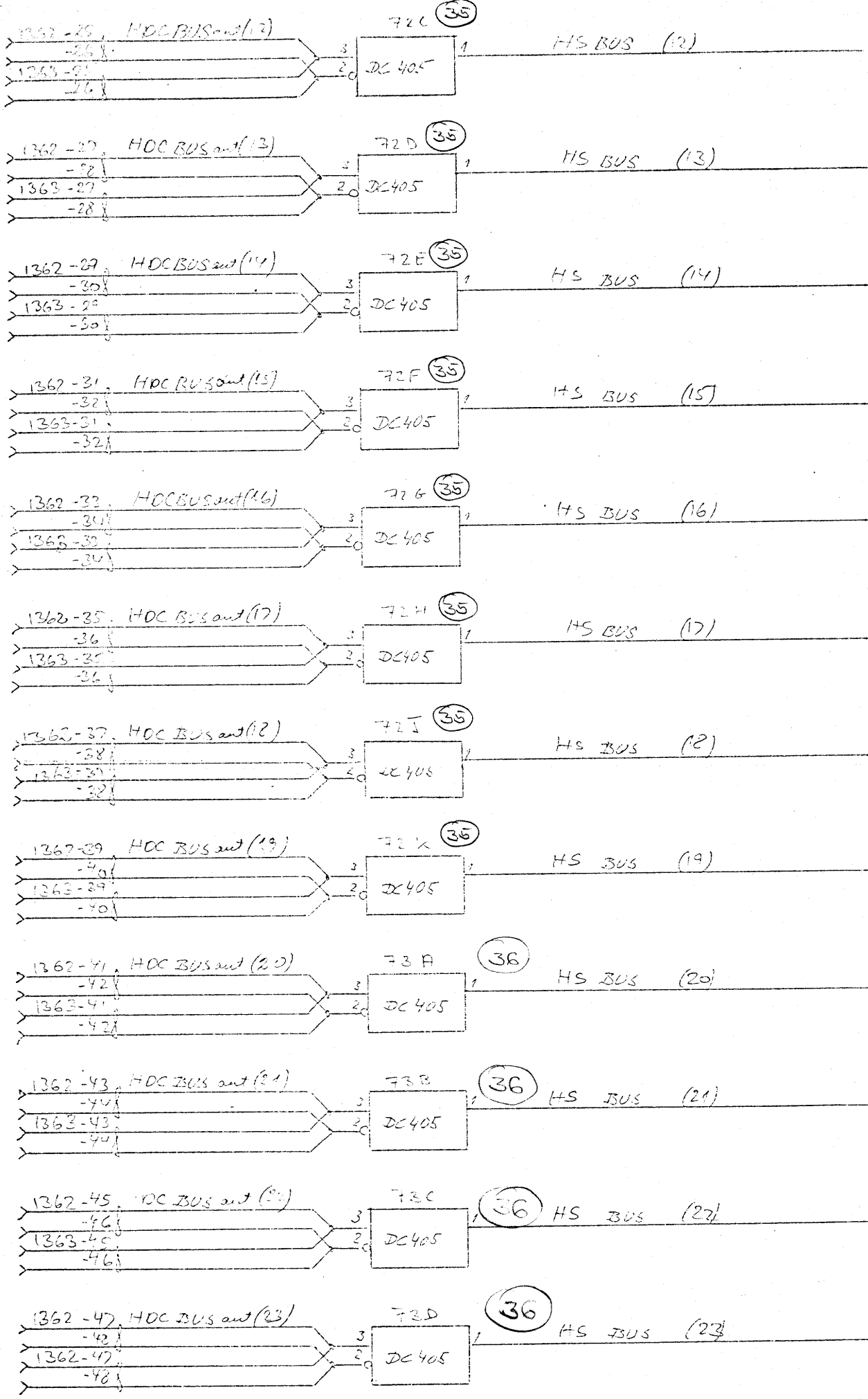
Unit: 804000
 Dwg. No. V11831
 HOC BUS in (16:25) and HOC Control
 Logic Diagram
 DFC



A/S REGNI STRALEN
 Designed by 281169 FCK
 Drawn by
 Dwg. Office f
 Design Check
 Replaces Orig. No.
 due to EGN
 1000 / 1000

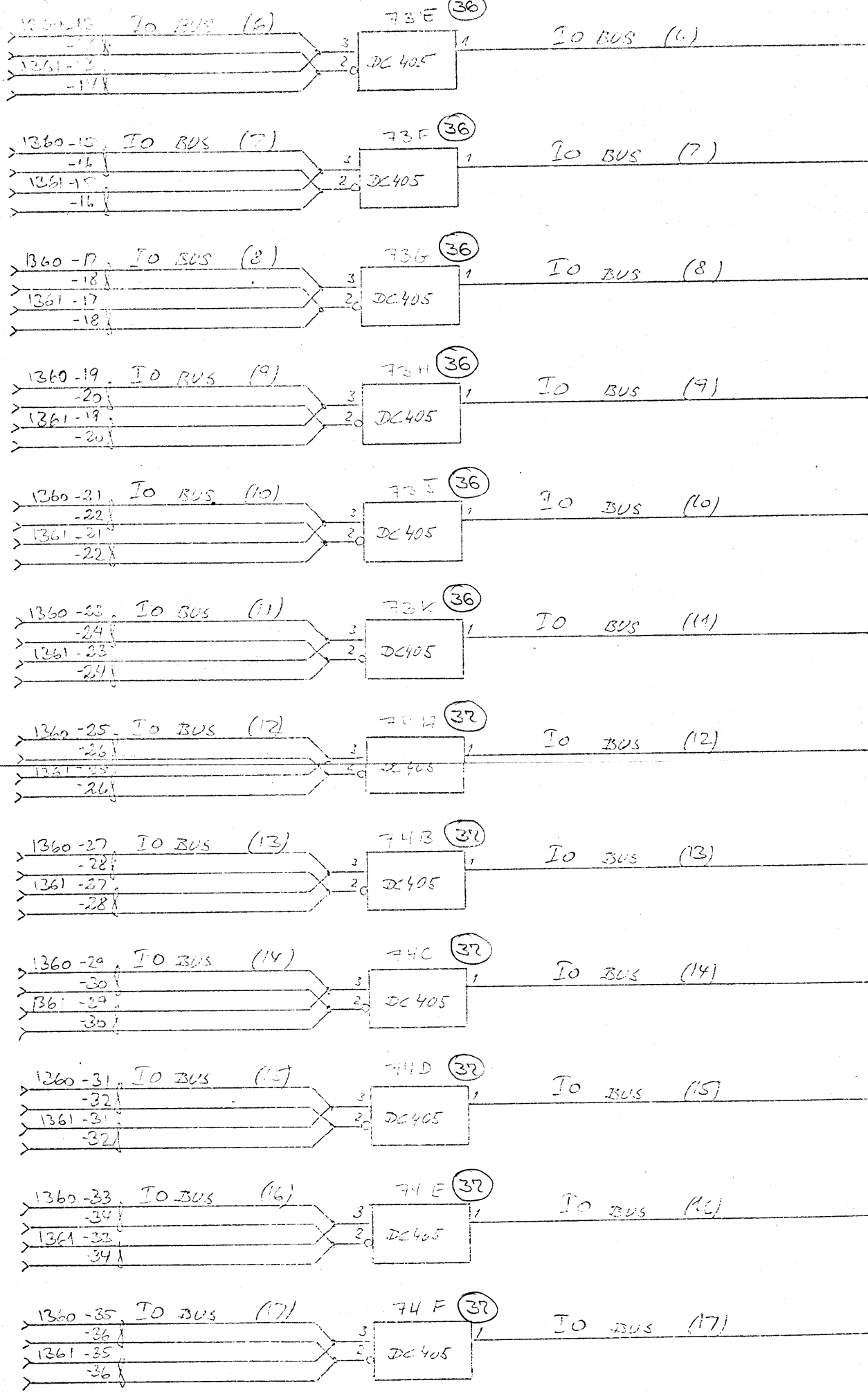
| | | |
|--------------------|--------------------|---------|
| Unit DC4000 | HOC BUS out (0:11) | DFC-032 |
| Dwg. No. V11832 | Logic Diagram | |

PIEP format 2/11/68



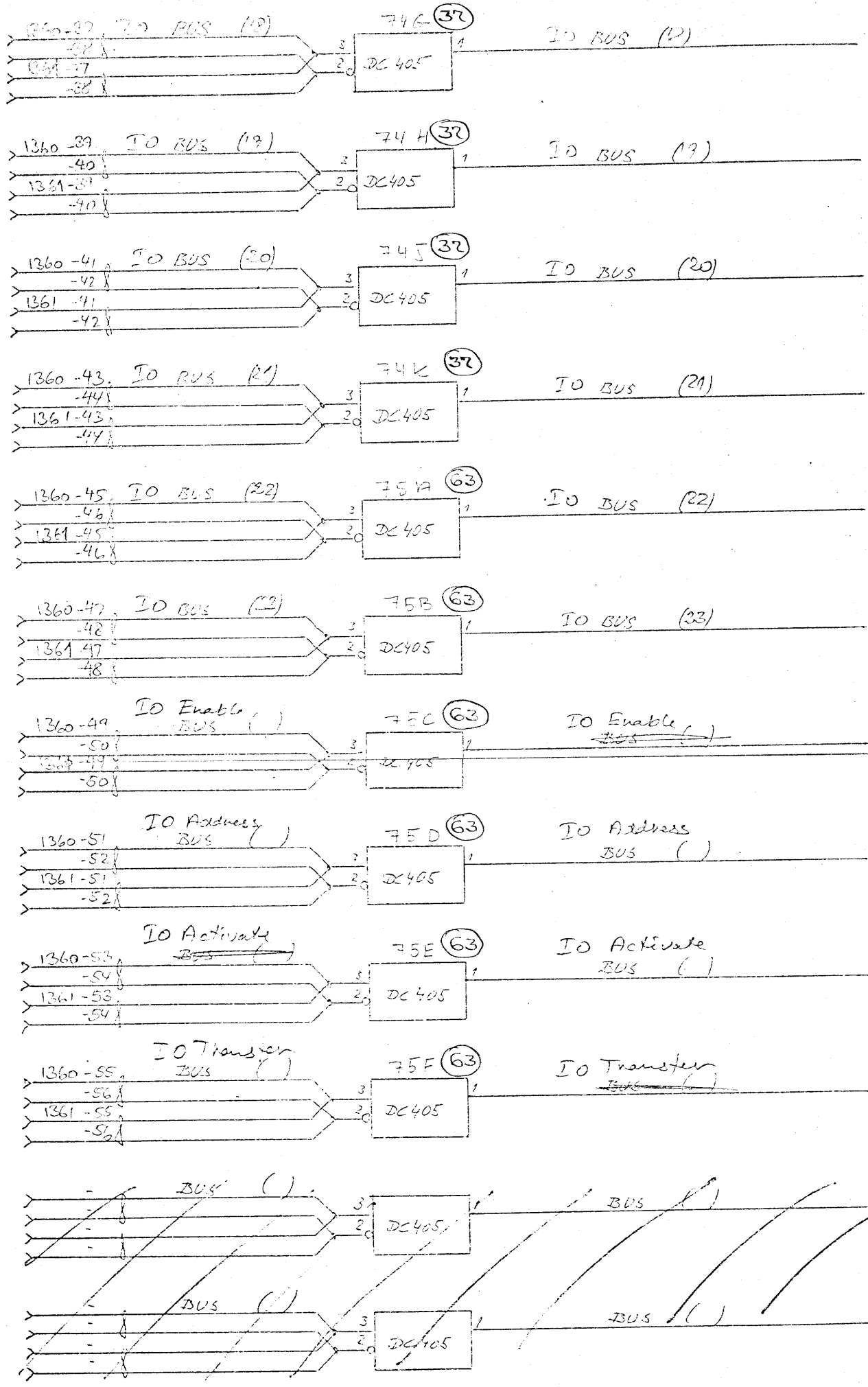
PEP forward 5/1/68
 Unit RC4000
 Dwg. No. V11833
 Design Check
 Dwg. Office
 Drawn by
 Designed by 281169 TBC
 A/S REGN
 CENTRALEN
 due to ECN
 Replaces PWS No.
 PWS No.

| | | | |
|----------|--------|---------------------|---------|
| Unit | RC4000 | HOC BUS out (12:23) | DFC 055 |
| Dwg. No. | V11833 | Logic Diagram | |



DESIGNED BY: A/S REGENT
 DRAWN BY: [Signature]
 DWG. NO.: 281169 F12
 DESIGNED BY: [Signature]
 DWG. NO.: [Signature]
 REPLACES: [Signature]
 DWG. NO.: [Signature]
 DUE TO: [Signature]
 REVISIONS: [Signature]

| | | | |
|----------|--------|----------------|---------|
| Unit | RC4000 | IO BUS (6, 17) | DFC 037 |
| Dwg. No. | V11834 | Logic Diagram | |



AS 016 V8 140
 NIS REGION
 CENTRALEN
 Drawn by
 Design Check
 due to I.C.N.
 Revised by Dwg. No.
 Address Dwg. No.

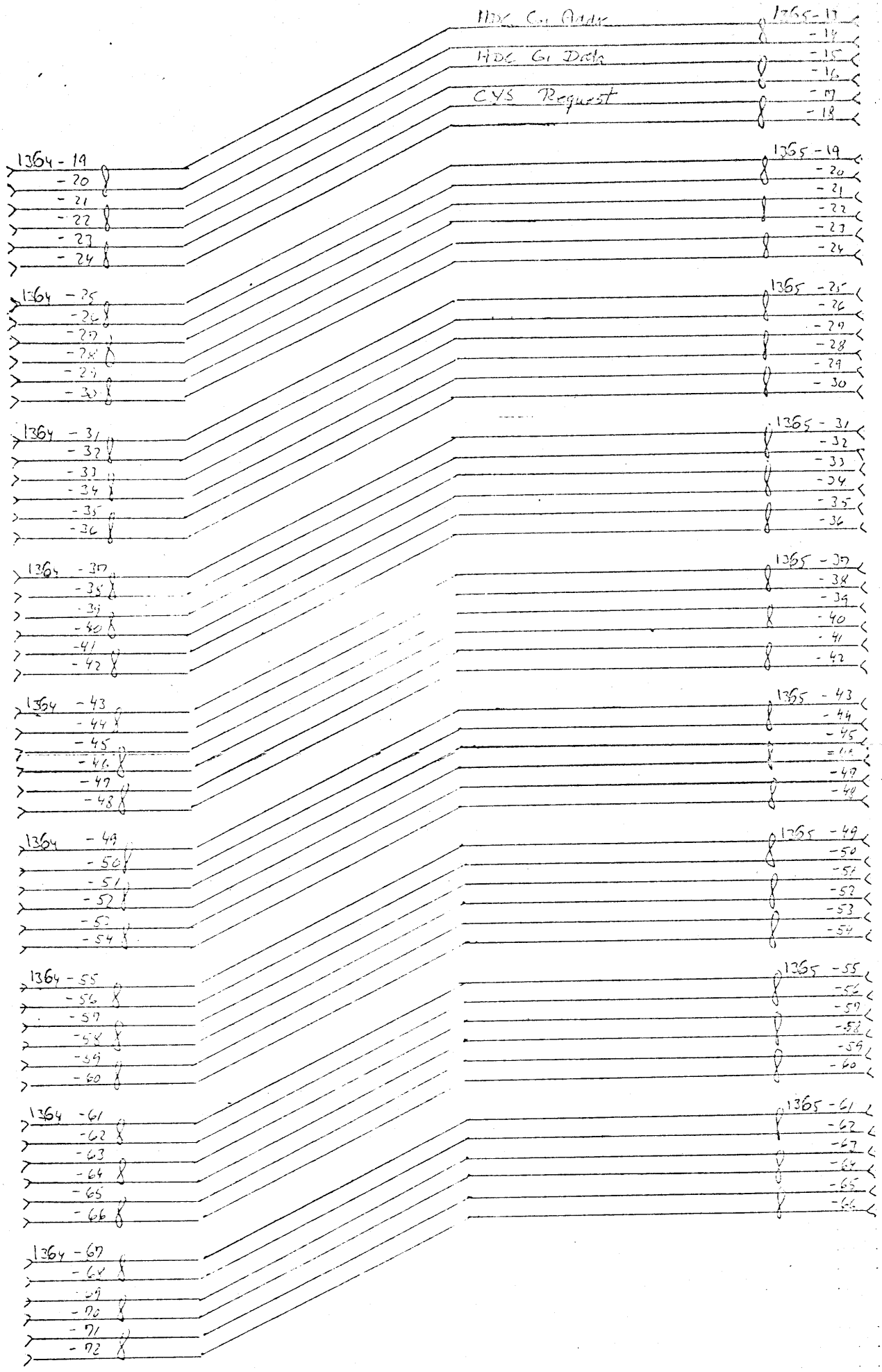
Unit
 RC4000
 Dwg. No.
 V11835

IO BUS (18-33)
 IO Enable, IO Address, IO Activate, and IO Transfer
 Logic Diagram

DRC DCS

92, INC. 08 140
 A/S REGM. CENTRALEN
 Designed by XXXXXXXXXX
 Drawn by XXXXXXXXXX
 Dwg. Office XXXXXXXXXX
 Design Check XXXXXXXXXX
 Replaces Dwg. No. XXXXXXXXXX
 due to ECN XXXXXXXXXX
 by Dwg. No. XXXXXXXXXX

070369 FEP
 281169 FEP



A/S REGN NTRALEN
 Designed by 4740-4848P
 Drawn by 070349 TEP
 281169 TEP
 Dwg. Office
 Design Check
 Replaces Dwg. No.
 due to ECR
 Rev. by Dwg. No.

