

# Dansk Data Elektronik A/S

Supermax<sup>®</sup>

Cable

Description

**©1990 DANSK DATA ELEKTRONIK A/S, DENMARK**  
**All Rights Reserved**  
**Printed in Denmark**

**Stock no.: 94880011**

**NOTICE**

The information in this document is subject to change without notice. Dansk Data Elektronik A/S, Denmark assumes no responsibility for any errors that may appear in this document.

SUPERMAX is a registered trademark of DANSK DATA ELEKTRONIK A/S, DENMARK.

# Table of Contents

	Page
<b>List of Tables</b> .....	v
<b>Chapter 1: Part Numbers</b> .....	1- 1
Introduction .....	1- 1
Cable part number .....	1- 1
Cable type.....	1- 2
Cable number.....	1- 2
Plug coding.....	1- 3
Length coding .....	1- 4
<b>Chapter 2: Cable specifications</b> .....	2- 1
<b>Chapter 3: Housings</b> .....	3- 1
<b>Chapter 4: DB25</b> .....	4- 1
88001 Ser.cable. Extender. Version 1.....	4- 3
88002 Ser.cable. Busy 20. Version 1.....	4- 5
88003 Ser.cable. Busy 4. Version 1.....	4- 7
88004 Ser.cable. Busy 11. Version 1.....	4- 9
88005 Ser.cable. Sync. Version 1 .....	4-11
88010 Ser.cable. MPX/wall. Version 1 .....	4-13
88011 Ser.cable. Comp/MPX. Version 1.....	4-15
88012 Asso.printer/DDE400a. Version 1 .....	4-17
88013 Asso.printer/DDE500. Version 1 .....	4-19
88014 Asso.printer/DDE480. Version 1 .....	4-21
<b>Chapter 5: DA15</b> .....	5- 1
88101 Ser.cable. Extender. Version 1.....	5- 3
<b>Chapter 6: DE9</b> .....	6- 1
88201 Ser.cable. Extender. Version 1.....	6- 3

## Table of Contents

	Page
<b>Chapter 7: Parallel Cables</b> .....	7- 1
88301 Parallel cable. SIOC. Version 1.....	7- 3
88302 Centronics cable. Version 1.....	7- 5
88303 Parallel cable. PC. Version 1.....	7- 7
<b>Chapter 8: Reserved for future use</b>	
<b>Chapter 9: Reserved for future use</b>	
<b>Chapter 10: LAN Cables</b> .....	10- 1
88601 Ethernet coax cable. Version 1.....	10- 3
88631 Cheapernet cable. Version 1.....	10- 5
88661 Ethernet soft cable. Version 1.....	10- 7
88681 Ethernet drop cable. Version 1.....	10- 9
<b>Chapter 11: Reserved for future use</b>	
<b>Chapter 12: Conversion Cables</b> .....	12- 1
88801 Ser.cable. PC/modem. Version 1.....	12- 3
88802 Ser.cable. Comp/PC. Version 1.....	12- 5
88803 Ser.cable. IPC/Comp. Version 1.....	12- 7
88804 Ser.cable. IPC/modem. Version 1.....	12- 9
<b>Chapter 13: Special Cables</b> .....	13- 1
88901 Service port cable. Version 1.....	13- 3
88910 AC power cord. DK. Version 1.....	13- 5
<b>Chapter 14: Cross Reference</b> .....	14- 1

# List of Tables

	Page
Table 1-1: Cable type.....	1- 2
Table 1-2: Plug coding .....	1- 3
Table 1-3: Length coding 1 .....	1- 4
Table 1-4: Length coding 2.....	1- 5
Table 3-1: ITT Cannon part numbers.....	3- 1
Table 3-2: Siemens part numbers .....	3- 1
Table 3-3: Souriau part numbers .....	3- 2
Table 3-4: Connectron part numbers.....	3- 2

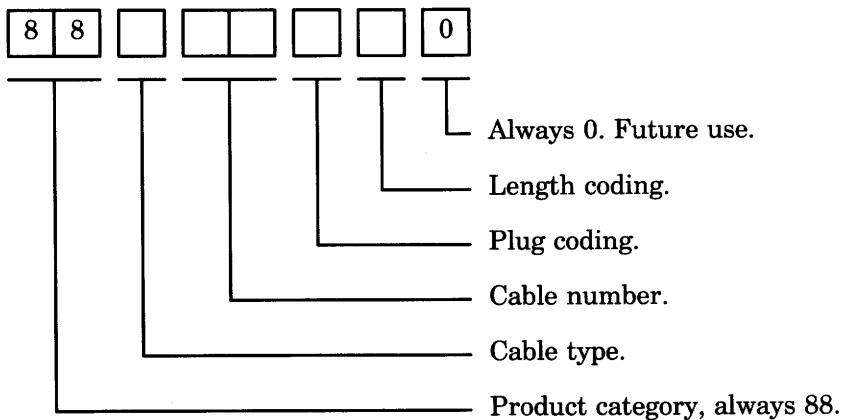
**List of Tables**

*This page is intentionally left blank*

## Part numbers

The cable part numbers consists of an eight digit number, of which the first two are always 88. The following figure shows how the part number is constructed from smaller logical segments, resulting in a complete part number.

### Cable part number



## Part numbers

### Cable type

Cable type is the third digit of the part number and is in the range from 0 to 9. The table shows the connection between the different numbers and the cable types.

Cable type	Description
0	Serial cables with DB25 plugs at both ends
1	Serial cables with DA15 plugs at both ends
2	Serial cables with DE9 plugs at both ends
3	Parallel printer cables
4 – 5	Reserved for future use
6	Local Area Network cables
7	Reserved for future use
8	Serial conversion cables (different plugs)
9	Special cables. (AC cables, more than two plugs, etc.)

*Table 1-1: Cable type.*

### Cable number

Cable number is the fourth and fifth digit of the part number and is in the range 00 to 99. This is a serial number of the cable.



## Plug coding

The plug coding is the sixth digit of the part number and is in the range 0 through 9. Plug coding is used to specify the gender of the connectors on the cable.

Plug coding	Cable type	
	0-3,8,9	6
0	Male – Male	Always 0
1	Male – Female	Not used
2	Female – Male	Not used
3	Female – Female	Not used
4	Reserved for future use	Not used
5	Special plugs (More than two, etc)	Not used
6–9	Reserved for future use	Not used

*Table 1-2: Plug coding.*

## Part numbers

### Length coding

The length coding **L** is the seventh digit of the part number and is in the range 0 through 9. Length coding is used to specify the length of the cable. Length coding depends on the cable type as can be seen in the two tables below.

Length coding <b>L</b>	Cable type	
	<b>0 - 3, 8</b>	<b>9</b>
	m	m
0	< 1	< 1
1	1	1.00
2	2	1.50
3	3	2.00
4	4	2.50
5	5	5.00
6	10	-
7	20	-
8	50	-
9	Special length	Special length

*Table 1-3: Length coding 1.*

Length coding	Cable type 6			
L	Serial number			
	00 – 29	30 – 59	60 – 79	80 – 99
	m	m	m	m
0	–	< 1	–	–
1	23.4	1	1	3
2	46.8	2	2	5
3	70.2	3	3	7
4	117.0	4	4	10
5	500.0	5	5	15
6	–	10	–	20
7	–	–	–	30
8	–	–	–	50
9	per meter	per meter	per meter	per meter

Table 1-4: Length coding 2.

## Reserved

The last digit of the part number is reserved for future use and is always 0.

*This page is intentionally left blank*

# Cable specifications

The following is a list of the different cables used in this Cable Description.

- LiYCY 8 × 0.25 mm<sup>2</sup>. Used for serial cables.
- LiYCY 12 × 0.25 mm<sup>2</sup>. Used for serial cables.
- LiYCY 25 × 0.25 mm<sup>2</sup>. Used for parallel cables.
- 3M 3659-50. Used for parallel cables.
- Belden 9880. mm<sup>2</sup>. Used for Ethernet cables, part numbers 886010x0.
- Belden PRO 9907. mm<sup>2</sup>. Used for Cheapernet cables, part numbers 886310x0.
- Belden PRO 9903. mm<sup>2</sup>. Used for soft drop cables, part numbers 886610x0.
- Belden PRO 9901. mm<sup>2</sup>. Used for drop cables, part numbers 886810x0.
- HO5 VV – F 3G1 mm<sup>2</sup>. Used for power cords

The following tables are summaries of the technical specifications of the cables used in this Cable Description.

## Technical specifications LiYCY

Conductor	Stranded bare copper wires	14 × 0.15 mm
Isolation	Polyvinylchloride PVC	0.30 mm
Overall screen	Tinned copper wire braid 85 %	
Outer sheath	Polyvinylchloride PVC	

**Cable specifications**

**Technical specifications 3M 3659 – 50**

Conductor	Tinned Stranded Copper wires	28 AWG 7 × 36
Isolation	Polyvinylchloride PVC	
Overall screen	Aluminum Film Foil and Tinned Copper Braid 90 %	
Outer sheath	Polyvinylchloride PVC	

**Technical specifications HO5 VV – F 3G1 mm<sup>2</sup>**

Conductor	Stranded bare copper wires	Multicore
Isolation	Polyvinylchloride PVC	
Outer sheath	Polyvinylchloride PVC	8.4 mm

# Housings

In order to comply with any existing or coming EMI/RFI requirements, the cables are delivered with a shielded housing. The following tables are a list of manufacturers, whose housings can be used. The tables also list the part numbers of the housings.

<b>ITT Cannon</b>	
Plugs	ITT part number
DE9	DE121073 – 154
DA15	DA121073 – 150
DB25	DB121073 – 151

*Table 3-1: ITT Cannon part numbers.*

<b>Siemens</b>	
Plugs	Siemens part number
DE9	V42254 – A6000 – G109
DA15	V42254 – A6000 – G115
DB25	V42254 – A6000 – G125

*Table 3-2: Siemens part numbers.*

## Housings

<b>Souriau</b>	
Plugs	Souriau part number
DE9	8630 - 5169 - 014 - 09 - 01
DA15	8630 - 5169 - 014 - 15 - 01
DB25	8630 - 5169 - 014 - 25 - 01

*Table 3-3: Souriau part numbers.*

<b>Connectron</b>	
Plugs	Connectron part number
JD-36P	57 30 360

*Table 3-4: Connectron part numbers.*





## **DB25**

This chapter describes the cables using DB25 plugs at both ends.

**DB25**

*This page is intentionally left blank*

## 88001 Ser. cable. Extender. Version 1

<b>Part number:</b>	88001PL0		
<b>Version:</b>	1	<b>Cable:</b>	LiYCY 8 × 0.25 mm <sup>2</sup>
<b>Subject:</b>	Ser. cable. Extender		
<b>Description:</b>	Serial cable. Used to extend existing cable or to connect a terminal/printer/computer to a modem.		

Con. 1: DB25				Con. 2: DB25	
Pin	Signal	Direction	Colour	Signal	Pin
2	TxD	→	Blue	TxD	2
3	RxD	←	Green	RxD	3
4	RTS	→	Yellow	RTS	4
5	CTS	←	White	CTS	5
6	DSR	←	Grey	DSR	6
7	GND	↔	Brown	GND	7
8	DCD	←	Pink	DCD	8
20	DTR	→	Red	DTR	20

Part no.	Con. 1	Con. 2	Note
880010L0	DB25P	DB25P	L is length coding
880011L0	DB25P	DB25S	L is length coding
880012L0	DB25S	DB25P	L is length coding
880013L0	DB25S	DB25S	L is length coding

**88001**

**Example:**

**88001350:** A cable with 2 female DB25S plugs and a length of 5 meters.

**Remarks:** New part number for 8801, 8802, 8803.

## 88002 Ser. cable. Busy 20. Version 1

<b>Part number:</b>	88002PL0				
<b>Version:</b>	1	<b>Cable:</b>	LiYCY 8 × 0.25 mm <sup>2</sup>		
<b>Subject:</b>	Ser. cable. Busy 20				
<b>Description:</b>	Serial cable. Used to connect a terminal/printer to a computer.				

Con. 1: DB25			Con. 2: DB25		
Pin	Signal	Direction	Colour	Signal	Pin
2	TxD	→	Blue	RxD	3
3	RxD	←	Green	TxD	2
4	RTS	→	Yellow	CTS	5
5	CTS	←	White	DTR	20
6	DSR	←	Grey	RTS	4
8	DCD	←	Grey	RTS	4
7	GND	↔	Brown	GND	7
20	DTR	→	Red	DSR	6
20	DTR	→	Red	DCD	8
NC			Pink		NC

Part no.	Con. 1	Con. 2	Note
880020L0	DB25P	DB25P	L is length coding
880021L0	DB25P	DB25S	L is length coding
880022L0	DB25S	DB25P	L is length coding
880023L0	DB25S	DB25S	L is length coding

**88002**

**Example:**

**88002050:** A cable with 2 male DB25P plugs and a length of 5 meters.

**Remarks:** New part number for 8804, 8805, 8829.

## 88003 Ser. cable. Busy 4. Version 1

<b>Part number:</b>	88003PL0		
<b>Version:</b>	1	<b>Cable:</b>	LiYCY 8 × 0.25 mm <sup>2</sup>
<b>Subject:</b>	Ser. cable. Busy 4		
<b>Description:</b>	Serial cable. Used to connect a Supermax to a Supermax or to connect a terminal/printer to a computer.		

Con. 1: DB25			Con. 2: DB25		
Pin	Signal	Direction	Colour	Signal	Pin
2	TxD	→	Blue	RxD	3
3	RxD	←	Green	TxD	2
4	RTS	→	Yellow	CTS	5
5	CTS	←	White	RTS	4
6	DSR	←	Grey	DTR	20
8	DCD	←	Grey	DTR	20
7	GND	↔	Brown	GND	7
20	DTR	→	Red	DSR	6
20	DTR	→	Red	DCD	8
NC			Pink		NC

Part no.	Con. 1	Con. 2	Note
880030L0	DB25P	DB25P	L is length coding
880031L0	DB25P	DB25S	L is length coding
880032L0	DB25S	DB25P	L is length coding
880033L0	DB25S	DB25S	L is length coding

**88003**

**Example:**

**88003020:** A cable with 2 male DB25P plugs and a length of 2 meters.

**Remarks:** New part number for 8812, 8817, 8819, 8832.



## 88004 Ser. cable. Busy 11. Version 1

<b>Part number:</b>	88004PL0		
<b>Version:</b>	1	<b>Cable:</b>	LiYCY 8 × 0.25 mm <sup>2</sup>
<b>Subject:</b>	Ser. cable. Busy 11		
<b>Description:</b>	Serial cable. Used by devices that signals Busy on pin 11 of the interface. Used to connect a terminal/printer to a computer.		

Con. 1: DB25				Con. 2: DB25	
Pin	Signal	Direction	Colour	Signal	Pin
2	TxD	→	Blue	RxD	3
3	RxD	←	Green	TxD	2
4	RTS	→	Yellow	CTS	5
5	CTS	←	White	Busy	11
6	DSR	←	Grey	DTR	20
8	DCD	←	Grey	DTR	20
7	GND	↔	Brown	GND	7
20	DTR	→	Red	DSR	6
20	DTR	→	Red	DCD	8
NC			Pink		NC

Part no.	Con. 1	Con. 2	Note
880040L0	DB25P	DB25P	L is length coding
880041L0	DB25P	DB25S	L is length coding
880042L0	DB25S	DB25P	L is length coding
880043L0	DB25S	DB25S	L is length coding

**88004**

**Example:**

**88004050:** A cable with 2 male DB25P plugs and a length of 5 meters.

**Remarks:** New part number for 8807.

## 88005 Ser. cable. Sync. Version 1

<b>Part number:</b>	88005PL0		
<b>Version:</b>	1	<b>Cable:</b>	LiYCY 12 × 0.25 mm <sup>2</sup>
<b>Subject:</b>	Ser. cable. Sync		
<b>Description:</b>	Serial cable. Synchronous connection. Used to extend existing cable or to connect a computer to a modem.		

Con. 1: DB25				Con. 2: DB25	
Pin	Signal	Direction	Colour	Signal	Pin
2	TxD	→	Blue	TxD	2
3	RxD	←	Green	RxD	3
4	RTS	→	Yellow	RTS	4
5	CTS	←	White	CTS	5
6	DSR	←	Grey	DSR	6
7	GND	↔	Brown	GND	7
8	DCD	←	Pink	DCD	8
15	TC	→	Black	TC	15
17	RC	←	Violet	RC	17
20	DTR	→	Red	DTR	20
22	RI	←	Grey/Pink	RI	22
NC			Blue/Red		NC

Part no.	Con. 1	Con. 2	Note
880050L0	DB25P	DB25P	L is length coding
880051L0	DB25P	DB25S	L is length coding
880052L0	DB25S	DB25P	L is length coding
880053L0	DB25S	DB25S	L is length coding

**88005**

**Example:**

**88005060:** A cable with 2 male DB25P plugs and a length of 10 meters.

**Remarks:** New part number for 8815.

## 88010 Ser. cable. MPX/wall. Version 1

<b>Part number:</b>	88010PL0				
<b>Version:</b>	1	<b>Cable:</b>	LiYCY 8 × 0.25 mm <sup>2</sup>		
<b>Subject:</b>	Ser. cable. MPX/wall				
<b>Description:</b>	Serial cable. Used to connect a Codex 6015 to a standard wall plug.				

Con. 1: DB25				Con. 2: DB25	
Pin	Signal	Direction	Colour	Signal	Pin
2	TxD	←	Blue	RxD	3
3	RxD	→	Green	TxD	2
4	RTS	←	Yellow	DSR	6
5	CTS	→	White	RTS	4
6	DSR	←	Grey	DTR	20
7	GND	↔	Brown	GND	7
14	Busy	←	Red	CTS	5
20	DTR	←	Pink	DSR	6
20	DTR	←	Pink	DCD	8

Part no.	Con. 1	Con. 2	Note
880100L0	DB25P	DB25P	L is length coding
880101L0	DB25P	DB25S	L is length coding
880102L0	DB25S	DB25P	L is length coding
880103L0	DB25S	DB25S	L is length coding

**88010**

**Example:**

**88010020:** A cable with 2 male DB25P plugs and a length of 2 meters.

**Remarks:** New part number for 8833.

## 88011 Ser. cable. Comp/MPX. Version 1

<b>Part number:</b>	88011PL0		
<b>Version:</b>	1	<b>Cable:</b>	LiYCY 8 × 0.25 mm <sup>2</sup>
<b>Subject:</b>	Ser. cable. Comp/MPX		
<b>Description:</b>	Serial cable. Used to to connect a computer to a Codex 6015.		

Con. 1: DB25				Con. 2: DB25	
Pin	Signal	Direction	Colour	Signal	Pin
2	TxD	→	Blue	TxD	2
3	RxD	←	Green	RxD	3
4	RTS	→	Yellow	Busy	14
5	CTS	←	White	CTS	5
6	DSR	←	Grey	DSR	6
8	DCD	←	Grey	DSR	6
7	GND	↔	Brown	GND	7
20	DTR	→	Red	RTS	4
20	DTR	→	Red	DTR	20
NC			Pink		NC

Part no.	Con. 1	Con. 2	Note
880110L0	DB25P	DB25P	L is length coding
880111L0	DB25P	DB25S	L is length coding
880112L0	DB25S	DB25P	L is length coding
880113L0	DB25S	DB25S	L is length coding

**88011**

**Example:**

**88011350:** A cable with 2 male DB25P plugs and a length of 5 meters.

**Remarks:** New part number for 8834.



**88012 Asso. printer/DDE400a. Version 1**

<b>Part number:</b>	88012100		
<b>Version:</b>	1	<b>Cable:</b>	LiYCY 8 × 0.25 mm <sup>2</sup>
<b>Subject:</b>	Asso. printer/DDE400a		
<b>Description:</b>	Cable used to convert the printer output port on a DDE400a into a standard printer port, on which to use a standard printer cable.		

Con. 1: DB25P				Con. 2: DB25S	
Pin	Signal	Direction	Colour	Signal	Pin
2	RxD	←	Blue	RxD	3
3	TxD	→	Green	TxD	2
6	DSR	→	Grey	RTS	4
6	DSR	→	Yellow	DTR	20
7	GND	↔	Brown	GND	7
20	DTR	←	Red	CTS	5
NC			White		NC
NC			Pink		NC

**Example:**

**88012100:** A cable with 1 male DB25P and 1 female DB25S plug and a length of 0.5 meters.

**Remarks:** New part number for 8823.

88012

*This page is intentionally left blank*

**88013 Asso. printer/DDE500. Version 1**

<b>Part number:</b>	88013300				
<b>Version:</b>	1	<b>Cable:</b>	LiYCY 8 × 0.25 mm <sup>2</sup>		
<b>Subject:</b>	Asso. printer/DDE500				
<b>Description:</b>	Cable used to convert the printer output port on a DDE500 into a standard printer port, on which to use a standard printer cable.				

Con. 1: DB25S			Con. 2: DB25S		
Pin	Signal	Direction	Colour	Signal	Pin
2	TxD	→	Blue	TxD	2
5	CTS	←	White	CTS	5
7	GND	↔	Brown	GND	7
3	RxD	↷			
9	-12V	↷			
21	+12V	→	Red	DTR	20
21	+12V	→	Red	RTS	4
NC			Green		NC
NC			Grey		NC
NC			Yellow		NC
NC			Pink		NC

**Example:**

**88013300:** A cable with 2 female DB25S plug and a length of 0.5 meters.

**Remarks:** New part number for 8824.

88013

*This page is intentionally left blank*

36

**88014 Asso. printer/DDE480. Version 1**

<b>Part number:</b>	88014300				
<b>Version:</b>	1	<b>Cable:</b>	LiYCY 8 × 0.25 mm <sup>2</sup>		
<b>Subject:</b>	Asso. printer/DDE480				
<b>Description:</b>	Cable used to convert the printer output port on a DDE480 into a standard printer port, on which to use a standard printer cable.				

Con. 1: DB25S				Con. 2: DB25S	
Pin	Signal	Direction	Colour	Signal	Pin
2	TxD	→	Blue	TxD	2
3	RxD	←	Green	RxD	3
4	RTS	→	Yellow	RTS	4
5	DTR	←	White	DTR	20
7	GND	↔	Brown	GND	7
20	DSR	←	Red	DSR	6
NC			Grey		NC
NC			Pink		NC

**Example:**

**88014300:** A cable with 2 female DB25S plugs and a length of 0.5 meters.

**Remarks:** New part number for 8844.

88014

*This page is intentionally left blank*



## DA15

This chapter describes the cables using DA15 plugs at both ends.



DA15

*This page is intentionally left blank*



## 88101 Ser. cable. Extender. Version 1

<b>Part number:</b>	88101PL0		
<b>Version:</b>	1	<b>Cable:</b>	LiYCY 12 × 0.25 mm <sup>2</sup>
<b>Subject:</b>	Ser. cable. Extender		
<b>Description:</b>	Serial cable. Used to extend existing cable.		

Con. 1: DA15				Con. 2: DA15	
Pin	Signal	Direction	Colour	Signal	Pin
1	Chassis	↔	White	Chassis	1
2	T(A)	→	Red	T(A)	2
3	C(A)	→	Grey	C(A)	3
4	R(A)	←	Yellow	R(A)	4
5	I(A)	←	Green	I(A)	5
6	S(A)	←	Blue	S(A)	6
8	GND	↔	Brown	GND	8
9	T(B)	→	Pink	T(B)	9
10	C(B)	→	Black	C(B)	10
11	R(B)	←	Violet	R(B)	11
12	I(B)	←	Grey/Pink	I(B)	12
13	S(B)	←	Blue/Red	S(B)	13

Part no.	Con. 1	Con. 2	Note
881010L0	DA15P	DA15P	L is length coding
881011L0	DA15P	DA15S	L is length coding
881012L0	DA15S	DA15P	L is length coding
881013L0	DA15S	DA15S	L is length coding

**88101**

**Example:**

**88101050:** A cable with 2 male DA15P plugs and a length of 5 meter.

**Remarks:** New part number for 8850.



## DE9

This chapter describes the cables using DE9 plugs at both ends.

DE9

*This page is intentionally left blank*

## 88201 Ser. cable. Extender. Version 1

<b>Part number:</b>	88201PL0				
<b>Version:</b>	1	<b>Cable:</b>	LiYCY 12 × 0.25 mm <sup>2</sup>		
<b>Subject:</b>	Ser. cable. Extender				
<b>Description:</b>	Serial cable. Used to extend existing cable.				

Con. 1: DE9				Con. 2: DE9	
Pin	Signal	Direction	Colour	Signal	Pin
1	CD	←	Pink	CD	1
2	RxD	←	Blue	RxD	2
3	TxD	←	Green	TxD	3
4	DTR	→	Red	DTR	4
5	Ground	↔	Brown	Ground	5
6	DSR	←	White	DSR	6
7	RTS	→	Grey	RTS	7
8	CTS	←	Yellow	CTS	8
9	RI	←	Black	RI	9
NC			Violet		NC
NC			Grey/Pink		NC
NC			Blue/Red		NC

Part no.	Con. 1	Con. 2	Note
882010L0	DE9P	DE9P	L is length coding
882011L0	DE9P	DE9S	L is length coding
882012L0	DE9S	DE9P	L is length coding
882013L0	DE9S	DE9S	L is length coding

88201

**Example:**

**88201260:** A cable with 1 female DE9S and 1 male DE9P plug and a length of 10 meters.

**Remarks:** New part number for 8842, 8843.

## **Parallel cables**

This chapter describes the cables used to connect parallel printers.

**Parallel cables**

*This page is intentionally left blank*



## 88301 Parallel cable. SIOC. Version 1

**Part number:** 88301230  
**Version:** 1                      **Cable:** 3M 3659 – 50 Flat cable  
**Subject:** Parallel cable. SIOC  
**Description:** Parallel cable. Used to connect the 50 pin port on the SIOC to a parallel printer with a Centronics plug.

Con. 1: 3M 3425-6600				Con. 2: JD-36P-C(D)	
Pin	Signal	Direction	Colour	Signal	Pin
19	BUSY	←	Grey	BUSY	11
20	GND	↔	Grey	GND	29
25	DATA(7)	→	Grey	DATA(7)	9
26	GND	↔	Grey	GND	27
27	DATA(6)	→	Grey	DATA(6)	8
28	GND	↔	Grey	GND	26
29	DATA(5)	→	Grey	DATA(5)	7
30	GND	↔	Grey	GND	25
31	DATA(4)	→	Grey	DATA(4)	6
32	GND	↔	Grey	GND	24
33	DATA(3)	→	Grey	DATA(3)	5
34	GND	↔	Grey	GND	23
35	DATA(2)	→	Grey	DATA(2)	4
36	GND	↔	Grey	GND	22
37	DATA(1)	→	Grey	DATA(1)	3
38	GND	↔	Grey	GND	21
39	DATA(0)	→	Grey	DATA(0)	2
40	GND	↔	Grey	GND	20
43	STROBE	→	Grey	STROBE	1
44	GND	↔	Grey	GND	19
47	ACK	←	Grey	ACK	10
48	GND	↔	Grey	GND	28

**88301**

**Example:**

**88301230:** A cable with 1 female 50 pin socket and 1 male JD-36P-C(D) plug and a length of 3 meters.

**Remarks:** New part number for 8852.

## 88302 Centronics cable. Version 1

**Part number:** 88302030  
**Version:** 1                      **Cable:** LiYCY 25 × 0.25 mm<sup>2</sup>  
**Subject:** Centronics cable.  
**Description:** Centronics cable. Used to connect a standard Centronics port to a parallel printer with a Centronics port.

Con. 1: JD - 36P - C(D)			Con. 2: JD - 36P - C(D)		
Pin	Signal	Direction	Colour	Signal	Pin
1	STROBE	→	White	STROBE	1
2	DATA(0)	→	Brown	DATA(0)	2
3	DATA(1)	→	Green	DATA(1)	3
4	DATA(2)	→	Yellow	DATA(2)	4
5	DATA(3)	→	Grey	DATA(3)	5
6	DATA(4)	→	Pink	DATA(4)	6
7	DATA(5)	→	Blue	DATA(5)	7
8	DATA(6)	→	Red	DATA(6)	8
9	DATA(7)	→	Black	DATA(7)	9
10	ACK	←	Violet	ACK	10
11	BUSY	←	Grey/Pink	BUSY	11
12	PAPER END	←	Blue/Red	PAPER END	12
13	SELECT	←	White/Green	SELECT	13
14	AUTOFEED	→	Brown/Green	AUTOFEED	14
31	INIT	→	White/Yellow	INIT	31
32	ERROR	←	Yellow/Brown	ERROR	32
36	SELECT IN	→	White/Grey	SELECT IN	36
16, 19 - 30, 33	GND	↔		GND	16, 19 - 30, 33
17	CHASSIS	↔		CHASSIS	17

**88302**

**Example:**

**88302030:** A cable with 2 male JD-36P-C(D) plugs and a length of 3 meters.

**Remarks:** New part number for 8853.

## 88303 Parallel cable. PC. Version 1

<b>Part number:</b>	88303030		
<b>Version:</b>	1	<b>Cable:</b>	LiYCY 25 × 0.25 mm <sup>2</sup>
<b>Subject:</b>	Parallel cable. PC.		
<b>Description:</b>	Parallel cable. Used to connect a parallel port of a PC or a NTC2 to a parallel printer with a Centronics port.		

Con. 1: DB25P				Con. 2: JD - 36P - C(D)	
Pin	Signal	Direction	Colour	Signal	Pin
1	STROBE	→	White	STROBE	1
2	DATA(0)	→	Brown	DATA(0)	2
3	DATA(1)	→	Green	DATA(1)	3
4	DATA(2)	→	Yellow	DATA(2)	4
5	DATA(3)	→	Grey	DATA(3)	5
6	DATA(4)	→	Pink	DATA(4)	6
7	DATA(5)	→	Blue	DATA(5)	7
8	DATA(6)	→	Red	DATA(6)	8
9	DATA(7)	→	Black	DATA(7)	9
10	ACK	←	Violet	ACK	10
11	BUSY	←	Grey/Pink	BUSY	11
12	PAPER END	←	Blue/Red	PAPER END	12
13	SELECT	←	White/Green	SELECT	13
14	AUTOFEED	→	Brown/Green	AUTOFEED	14
15	ERROR	←	White/Yellow	ERROR	32
16	INIT	→	Yellow/Brown	INIT	31
17	SELECT IN	→	White/Grey	SELECT IN	36
18 - 25	GND	↔		GND	16, 19 - 30, 33
				Chassis	17

**88303**

**Example:**

**88303030:** A cable with 1 male DB25P and 1 male JD-36P plug and a length of 3 meters.

**Remarks:** New part number for 8854.

## **LAN cables**

This chapter describes the cables used in Local Area Network installations.

**LAN cables**

*This page is intentionally left blank*



**88601 Ethernet coax cable. Version 1****Part number:** 886010L0**Version:** 1                      **Cable:**                      *See Chapter 2.***Subject:** Ethernet coax cable**Description:** Ethernet coax cable 50  $\Omega$ . Used to build or extend an Ethernet installation.

Connectors

N plug 50  $\Omega$ **Example:****88601020:** An ethernet coax cable with a length of 46.8 meters.**Remarks:** New part number for 9460.

88601

*This page is intentionally left blank*

**88631 Cheapernet cable. Version 1**

<b>Part number:</b>	886310L0		
<b>Version:</b>	1	<b>Cable:</b>	See <i>Chapter 2</i> .
<b>Subject:</b>	Cheapernet cable		
<b>Description:</b>	Cheapernet coax cable 50 $\Omega$ . Used to build or extend a cheapernet installation.		

Connectors	BNC plug 50 $\Omega$
------------	----------------------

**Example:**

**88631060:** A cheapernet coax cable with a length of 10 meters.

**Remarks:** New part number for 9450, 9451.

88631

*This page is intentionally left blank*



88661

*This page is intentionally left blank*

## 88681 Ethernet drop cable. Version 1

<b>Part number:</b>	886810L0				
<b>Version:</b>	1	<b>Cable:</b>	See Chapter 2		
<b>Subject:</b>	Ethernet drop cable				
<b>Description:</b>	Ethernet drop cable. Used to extend an existing cable or to connect a transceiver to a NIOC, NTC, etc.				

Con. 1: DA15P			Con. 2: DA15S		
Pin	Signal	Direction	Colour	Signal	Pin
3	DO - A	→	Orange	DO - A	3
10	DO - B	→	Yellow	DO - B	10
5	DI - A	←	Green	DI - A	5
12	DI - B	←	Blue	DI - B	12
2	CI - A	←	Grey	CI - A	2
9	CI - B	←	White	CI - B	9
6	V - com	←	Black	V - com	6
13	V - plus	→	Red	V - plus	13
1	CI - S	↔	Drain wire	CI - S	1
4	DI - S	↔	Drain wire	DI - S	4
Shell	Ground	↔	Shield	Ground	Shell

**Example:**

**88681050:** An Ethernet drop cable with 1 male DA15P plug and 1 female DA15S plug and a length of 15 meter.

**Remarks:** New part number for 9461.

88681

*This page is intentionally left blank*



## Conversion cables

This chapter describes the cables used when conversion from one plug type to another is necessary.

**Conversion cables**

*This page is intentionally left blank*

**88801 Ser. cable. PC/modem. Version 1**

<b>Part number:</b>	88801PL0				
<b>Version:</b>	1	<b>Cable:</b>	LiYCY 12 × 0.25 mm <sup>2</sup>		
<b>Subject:</b>	Ser. cable. PC/modem				
<b>Description:</b>	Serial cable. Used to connect a computer/terminal/PC to a modem.				

Con. 1: DE9			Con. 2: DB25		
Pin	Signal	Direction	Colour	Signal	Pin
1	DCD	→	Pink	DCD	8
2	RxD	→	Blue	RxD	3
3	TxD	←	Green	TxD	2
4	DTR	←	Red	DTR	20
5	GND	↔	Brown	GND	7
6	DSR	→	White	DSR	6
7	RTS	←	Grey	RTS	4
8	CTS	←	Yellow	CTS	5
9	RI	→	Black	RI	22
NC			Violet		NC
NC			Grey/Pink		NC
NC			Blue/Red		NC

Part no.	Con. 1	Con. 2	Note
888010L0	DE9P	DB25P	L is length coding
888011L0	DE9P	DB25S	L is length coding
888012L0	DE9S	DB25P	L is length coding
888013L0	DE9S	DB25S	L is length coding

**88801**

**Example:**

**88801220:** A cable with 1 female DE9S and 1 male DB25P plug and a length of 2 meters.

**Remarks:** New part number for 8841.

## 88802 Ser. cable. Comp/PC. Version 1

<b>Part number:</b>	88802PL0		
<b>Version:</b>	1	<b>Cable:</b>	LiYCY 8 × 0.25 mm <sup>2</sup>
<b>Subject:</b>	Ser. cable. Comp/PC		
<b>Description:</b>	Serial cable. Used to connect a computer to a PC.		

Con. 1: DB25				Con. 2: DE9	
Pin	Signal	Direction	Colour	Signal	Pin
2	TxD	→	Blue	RxD	2
3	RxD	←	Green	TxD	3
4	RTS	→	Yellow	CTS	8
5	CTS	←	Grey	RTS	7
6	DSR	←	Red	DTR	4
8	DCD	←	Red	DTR	4
7	GND	↔	Brown	GND	5
20	DTR	→	White	DSR	6
20	DTR	→	White	DCD	1
22	RI	→	Pink	RI	9

Part no.	Con. 1	Con. 2	Note
888020L0	DB25P	DE9P	L is length coding
888021L0	DB25P	DE9S	L is length coding
888022L0	DB25S	DE9P	L is length coding
888023L0	DB25S	DE9S	L is length coding

**88802**

**Example:**

**88802160:** A cable with 1 male DB25P and 1 female DE9S plug and a length of 10 meters.

**Remarks:** New part number for 8831.

**88803 Ser. cable. IPC/Comp. Version 1**

<b>Part number:</b>	88803050				
<b>Version:</b>	1	<b>Cable:</b>	LiYCY 8 × 0.25 mm <sup>2</sup>		
<b>Subject:</b>	Ser. cable. IPC/Comp				
<b>Description:</b>	Serial cable. Used to connect an IPC to a computer.				

Con. 1: DE9P			Con. 2: DB25P		
Pin	Signal	Direction	Colour	Signal	Pin
1	TxD	→	Green	RxD	3
2	RTS	→	Yellow	DSR	6
3	RxD	←	Blue	TxD	2
4	CTS	←	White	RTS	4
5	GND	↔	Brown	GND	7
		C	–	DTR	20
			–	CTS	5
NC			Grey		NC
NC			Red		NC
NC			Pink		NC

**Example:**

**88803050:** A cable with 1 male DE9P and 1 male DB25P plug and a length of 5 meters.

**Remarks:** None

88803

*This page is intentionally left blank*



**88804 Ser. cable. IPC/Modem. Version 1**

<b>Part number:</b>	88804050		
<b>Version:</b>	1	<b>Cable:</b>	LiYCY 8 × 0.25 mm <sup>2</sup>
<b>Subject:</b>	Ser. cable. IPC/Modem		
<b>Description:</b>	Serial cable. Used to connect an IPC to a modem.		

Con. 1: DE9P				Con. 2: DB25P	
Pin	Signal	Direction	Colour	Signal	Pin
1	TxD	→	Green	TxD	2
2	RTS	→	Yellow	RTS	4
3	RxD	←	Blue	RxD	3
4	CTS	←	White	CTS	5
5	GND	↔	Brown	GND	7
		C	-	DTR	20
			-	DSR	6
NC			Grey		NC
NC			Red		NC
NC			Pink		NC

**Example:**

**88804050:** A cable with 1 male DE9P and 1 male DB25P plug and a length of 5 meters.

**Remarks:** None

88804

*This page is intentionally left blank*



# Special cables

This chapter describes the special cables.



75



**Special cables**

*This page is intentionally left blank*

**88901 Service port cable. Version 1**

<b>Part number:</b>	88901500		
<b>Version:</b>	1	<b>Cable:</b>	LiYCY 8 × 0.25 mm <sup>2</sup>
<b>Subject:</b>	Service port cable.		
<b>Description:</b>	Service port cable. Used to connect the two service ports in a Supermax Rack in parallel.		

Con. 1: DB25P		Con. 2: DB25P			Con. 3: DB25S		
Pin	Signal	Pin	Signal	Direction	Colour	Signal	Pin
2	TxD	2	TxD	→	Blue	TxD	2
3	RxD	3	RxD	←	Green	RxD	3
4	RTS	4	RTS	→	Yellow	RTS	4
5	CTS	5	CTS	←	White	CTS	5
6	DSR	6	DSR	←	Grey	DSR	6
7	GND	7	GND	↔	Brown	GND	7
8	DCD	8	DCD	←	Pink	DCD	8
20	DTR	20	DTR	→	Red	DTR	20

**Example:**

**88901500:** A cable with 2 male DB25P and 1 female DB25S and a length of 0.5 meters.

**Remarks:** New part number for 8830.

88901

*This page is intentionally left blank*

**88910 AC power cord. DK. Version 1**

<b>Part number:</b>	889101L0				
<b>Version:</b>	1	<b>Cable:</b>	HO5 VV-F 3G1 mm <sup>2</sup>		
<b>Subject:</b>	AC power cord. DK.				
<b>Description:</b>	AC power cord. Used to connect devices to the mains in Denmark.				

Con. 1: EDB/2086			Con. 2: CEE/3498		
Pin	Signal	Direction	Colour	Signal	Pin
P	Phase	↔	Brown	Phase	P
N	Neutral	↔	Blue	Neutral	N
GND	Ground	↔	Green/Yellow	Ground	GND

Part no.	Con. 1	Con. 2	Note
889101L0	EDB	CEE	L is length coding

**Example:**

**88910140:** An AC mains cable DK with a length of 2.50 meters.

**Remarks:** New part number for 7358, 7358li.

*This page is intentionally left blank*



## Cross reference.

Old part number	New part number	Subject
7358	88910140	AC power cord. DK. 2.5m
7358li	88910150	AC power cord. DK. 5.0m
7093m	Discontinued	
7093n	Discontinued	
8801	88001050	Ser. cable. Extender 5m
8801a	88001010	Ser. cable. Extender 1m
8801b	88001020	Ser. cable. Extender 2m
8801c	88001030	Ser. cable. Extender 3m
8801x	88001060	Ser. cable. Extender 10m
8802	88001150	Ser. cable. Extender 5m
8802a	88001110	Ser. cable. Extender 1m
8802b	88001120	Ser. cable. Extender 2m
8802c	88001130	Ser. cable. Extender 3m
8802x	88001160	Ser. cable. Extender 10m
8803	88001350	Ser. cable. Extender 5m
8803a	88001310	Ser. cable. Extender 1m
8803b	88001320	Ser. cable. Extender 2m
8803c	88001330	Ser. cable. Extender 3m
8803x	88001360	Ser. cable. Extender 10m
8804	88002050	Ser. cable. Busy 20 5m
8804a	88002010	Ser. cable. Busy 20 1m
8804b	88002020	Ser. cable. Busy 20 2m
8804c	88002030	Ser. cable. Busy 20 3m
8804x	88002060	Ser. cable. Busy 20 10m
8805	88002150	Ser. cable. Busy 20 5m
8805a	88002110	Ser. cable. Busy 20 1m
8805b	88002120	Ser. cable. Busy 20 2m
8805c	88002130	Ser. cable. Busy 20 3m
8805x	88002160	Ser. cable. Busy 20 10m
8806	Discontinued	
8806a	Discontinued	
8806b	Discontinued	

**Cross reference.**

Old part number	New part number	Subject
8806c	Discontinued	
8806x	Discontinued	
8807	88004050	Ser. cable. Busy 11 5m
8807a	88004010	Ser. cable. Busy 11 1m
8807b	88004020	Ser. cable. Busy 11 2m
8807c	88004030	Ser. cable. Busy 11 3m
8807x	88004060	Ser. cable. Busy 11 10m
8809	Discontinued	
8809a	Discontinued	
8809b	Discontinued	
8809c	Discontinued	
8809x	Discontinued	
8810	Discontinued	
8810a	Discontinued	
8810b	Discontinued	
8810c	Discontinued	
8810x	Discontinued	
8811	Discontinued	
8811a	Discontinued	
8811b	Discontinued	
8811c	Discontinued	
8811x	Discontinued	
8812	88003050	Ser. cable. Busy 4 5m
8812a	88003010	Ser. cable. Busy 4 1m
8812b	88003020	Ser. cable. Busy 4 2m
8812c	88003030	Ser. cable. Busy 4 3m
8812x	88003060	Ser. cable. Busy 4 10m
8813	Discontinued	
8813a	Discontinued	
8813b	Discontinued	
8813c	Discontinued	
8813x	Discontinued	
8814	Discontinued	
8814a	Discontinued	

**Cross reference.**

Old part number	New part number	Subject
8814b	Discontinued	
8814c	Discontinued	
8814x	Discontinued	
8815	88005050	Ser. cable. Sync. 5m
8815a	88005010	Ser. cable. Sync. 1m
8815b	88005020	Ser. cable. Sync. 2m
8815c	88005030	Ser. cable. Sync. 3m
8815x	88005060	Ser. cable. Sync. 10m
8816	Discontinued	
8816a	Discontinued	
8816b	Discontinued	
8816c	Discontinued	
8816x	Discontinued	
8817	88003150	Ser. cable. Busy 4 5m
8817a	88003110	Ser. cable. Busy 4 1m
8817b	88003120	Ser. cable. Busy 4 2m
8817c	88003130	Ser. cable. Busy 4 3m
8817x	88003160	Ser. cable. Busy 4 10m
8818	Discontinued	
8818x	Discontinued	
8819	88003050	Ser. cable. Busy 4 5m
8819a	88003010	Ser. cable. Busy 4 1m
8819b	88003020	Ser. cable. Busy 4 2m
8819c	88003030	Ser. cable. Busy 4 3m
8819x	88003060	Ser. cable. Busy 4 10m
8823	88012100	Asso. printer/DDE400a
8824	88013300	Asso. printer/DDE500
8827	Discontinued	
8827a	Discontinued	
8827b	Discontinued	
8827c	Discontinued	
8827x	Discontinued	
8828	Discontinued	
8828a	Discontinued	

**Cross reference.**

Old part number	New part number	Subject
8828b	Discontinued	
8828c	Discontinued	
8828x	Discontinued	
8829	88002150	Ser. cable. Busy 20 5m
8829a	88002110	Ser. cable. Busy 20 1m
8829b	88002120	Ser. cable. Busy 20 2m
8829c	88002130	Ser. cable. Busy 20 3m
8829x	88002160	Ser. cable. Busy 20 10m
8830	88901500	Service port cable.
8831	88802150	Ser. cable. Comp/PC 5m
8831a	88802110	Ser. cable. Comp/PC 1m
8831b	88802120	Ser. cable. Comp/PC 2m
8831c	88802130	Ser. cable. Comp/PC 3m
8831x	88802160	Ser. cable. Comp/PC 10m
8832	88003150	Ser. cable. Busy 4 5m
8832a	88003110	Ser. cable. Busy 4 1m
8832b	88003120	Ser. cable. Busy 4 2m
8832c	88003130	Ser. cable. Busy 4 3m
8832x	88003160	Ser. cable. Busy 4 10m
8833	88010050	Ser. cable. MPX/wall 5m
8833a	88010010	Ser. cable. MPX/wall 1m
8833b	88010020	Ser. cable. MPX/wall 2m
8833c	88010030	Ser. cable. MPX/wall 3m
8833x	88010060	Ser. cable. MPX/wall 10m
8834	88011050	Ser. cable. Comp/MPX 5m
8834a	88011010	Ser. cable. Comp/MPX 1m
8834b	88011020	Ser. cable. Comp/MPX 2m
8834c	88011030	Ser. cable. Comp/MPX 3m
8834x	88011060	Ser. cable. Comp/MPX 10m
8836	Discontinued	
8836a	Discontinued	
8836b	Discontinued	
8836c	Discontinued	
8836x	Discontinued	

**Cross reference.**

Old part number	New part number	Subject
8837	Discontinued	
8841	88801250	Ser. cable. PC/modem 5m
8841a	88801210	Ser. cable. PC/modem 1m
8841c	88801230	Ser. cable. PC/modem 3m
8841z	Discontinued	
8842	88201250	Ser. cable. Extender 5m
8842a	88201210	Ser. cable. Extender 1m
8842b	88201220	Ser. cable. Extender 2m
8842c	88201230	Ser. cable. Extender 3m
8842x	88201260	Ser. cable. Extender 10m
8843	88201350	Ser. cable. Extender 5m
8843a	88201310	Ser. cable. Extender 1m
8843b	88201320	Ser. cable. Extender 2m
8843c	88201330	Ser. cable. Extender 3m
8843x	88201360	Ser. cable. Extender 10m
8844	88014300	Asso. printer/DDE480
8850	88101050	Ser. cable. Extender 5m
8850a	88101010	Ser. cable. Extender 1m
8850b	88101020	Ser. cable. Extender 2m
8850c	88101030	Ser. cable. Extender 3m
8850p	Discontinued	
8850x	88101060	Ser. cable. Extender 10m
8851	Discontinued	
8852	88301230	Parallel cable. SIOC 3m
8853	88302030	Centronics cable. 3m
8854	88303030	Parallel cable. PC. 3m
9450	88631090	Cheapernet coax cable
9451	88631050	Cheapernet cable 5m
9451a	88631010	Cheapernet cable 1m
9451b	88631020	Cheapernet cable 2m
9451c	88631030	Cheapernet cable 3m
9451x	88631060	Cheapernet cable 10m
9451z	88631000	Cheapernet cable 0.1m
9460	88601090	Ethernet coax cable

**Cross reference.**

Old part number	New part number	Subject
9460a	88601010	Ethernet coax cable 23m
9460b	88601030	Ethernet coax cable 70m
9460c	88601040	Ethernet coax cable 117m
9461a	88681010	Ethernet drop cable 3m
9461b	88681020	Ethernet drop cable 5m
9461c	88681030	Ethernet drop cable 7m
9461d	88681050	Ethernet drop cable 15m
9461e	88681060	Ethernet drop cable 20m
9461f	88681070	Ethernet drop cable 30m
9461h	88681080	Ethernet drop cable 50m
9461x	88681040	Ethernet drop cable 10m
9461as	88661010	Ethernet soft cable 1m
9461bs	88661020	Ethernet soft cable 2m
9461cs	88661030	Ethernet soft cable 3m
9461ds	88661040	Ethernet soft cable 4m
9461es	88661050	Ethernet soft cable 5m



