

---

**RCSL No:** 44-RT2013

**Edition:** October 1981

**Author:** Mogens V. Pedersen

---

**Title:**

MF 015 Microfeature  
Technical Manual

---

---

**Keywords:**

RC700, RC702, MF 015, MSE 701, VSE 701, CBL 972.

---

**Abstract:**

This manual contains a technical description of the MF 015 Micro-feature, which is the Modem Signal Extension for RC702.

(12 printed pages)

---

Copyright © 1981, A/S Regnecentralen af 1979  
RC Computer A/S

Printed by A/S Regnecentralen af 1979, Copenhagen

Users of this manual are cautioned that the specifications contained herein are subject to change by RC at any time without prior notice. RC is not responsible for typographical or arithmetic errors which may appear in this manual and shall not be responsible for any damages caused by reliance on any of the materials presented.

<u>TABLE OF CONTENTS</u>	<u>PAGE</u>
1. DESCRIPTION .....	1
2. CIRCUIT DIAGRAM .....	2
3. TEST PROGRAM LISTING .....	3
4. TEST CABLE .....	4
5. SWITCH SETTING .....	5



1. DESCRIPTION

1.

The MF 015 microfeature is used to extend the modem control signals to RC702 with the signal DATA SET READY AND CALLING INDICATOR.

The technical name for the feature is:

MSE 701, Modem Signal Extension

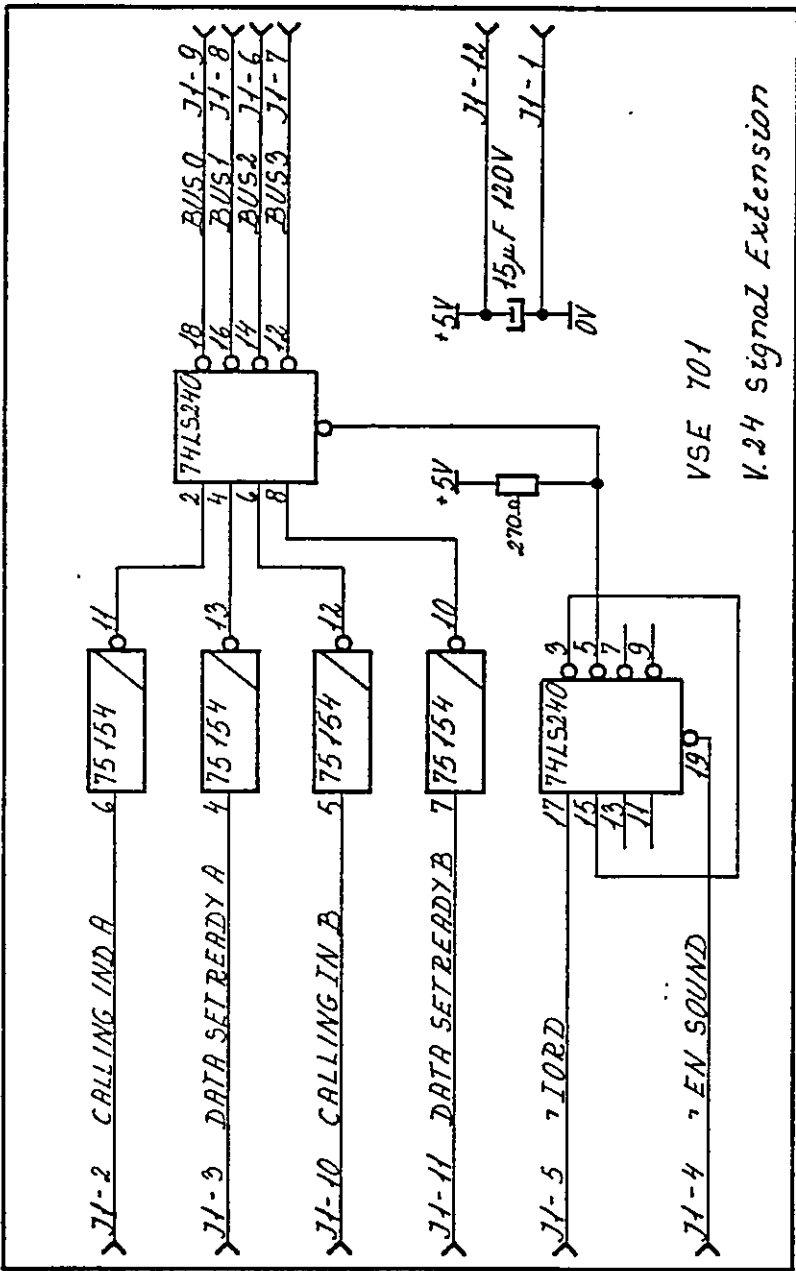
which consists of a board and a cable:

VSE 701, V.24 Signal Extension (board)

and CBL 972 Signal cable.

The circuit diagram is shown in chapter 2 and a test program which may be used to test the circuit is listed in chapter 3. When tested the testcable showed in chapter 4 is used.

Note! When this feature is used the switches on the MIC 702 board are set in accordance with the figure in chapter 4. This is done so the program using an input command is able to see that MF 015 is installed.

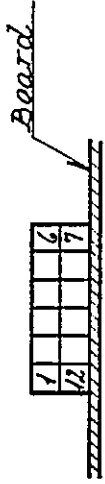


POS 77-18  
POS 77-17  
POS 77-16  
POS 77-15

+5V  
0V

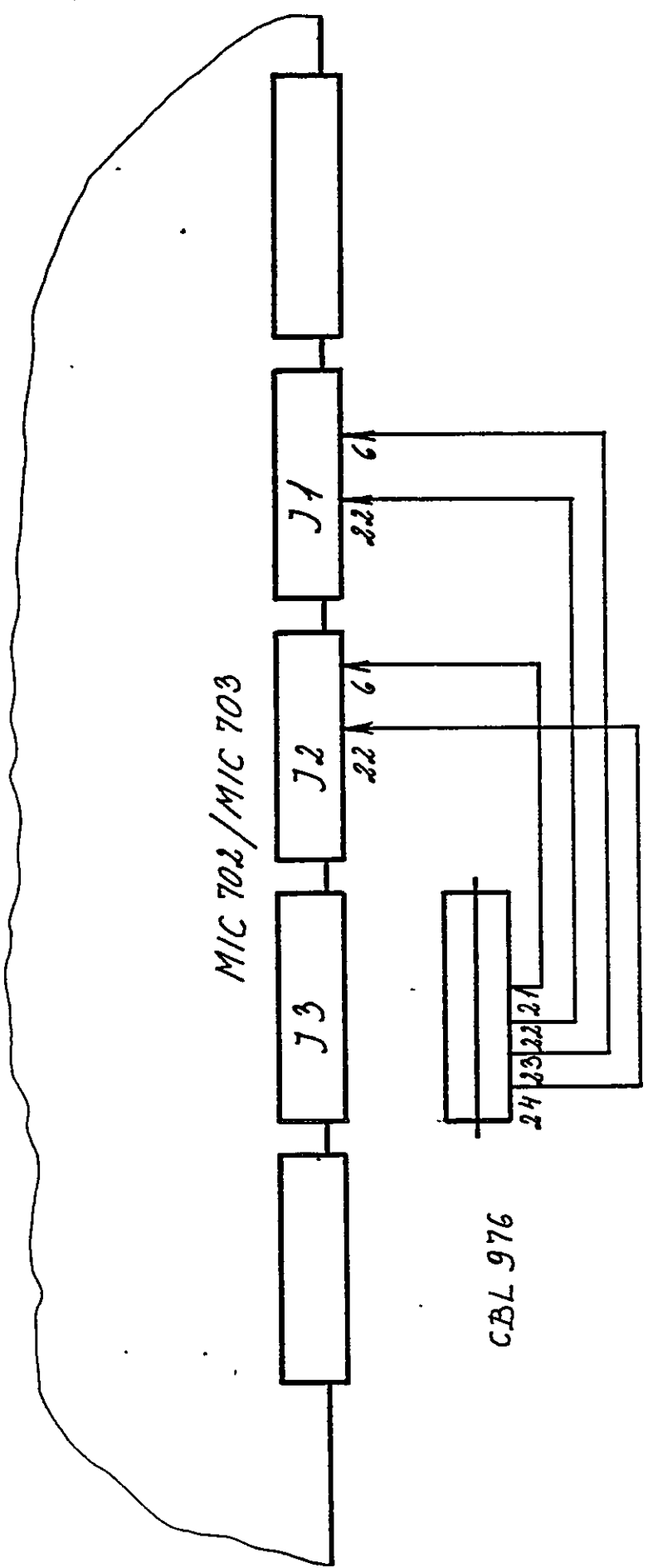
J1-22  
J1-6  
J2-22  
J2-6  
POS 100-7  
POS 53-7

Pin No. in J1



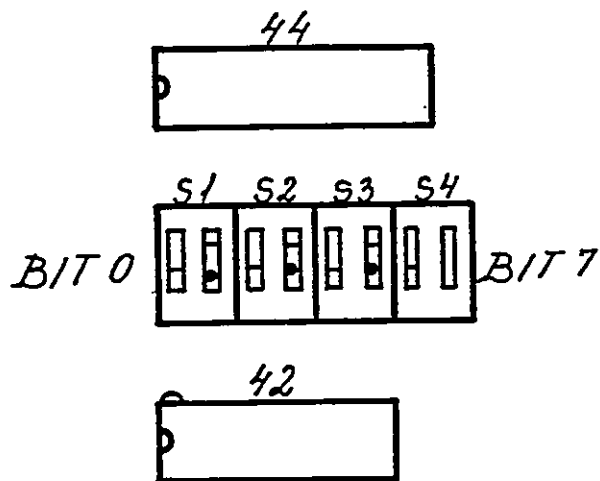
CIRCUIT DIAGRAM SHOWING VSE 701 CONNECTED TO MIC 702 MAKING MSE 701 MODEM SIGNAL EXTENSION.

```
0010 print "----- TEST AF VSE 701 -----"
0020 print "Flg. kabling benyttes CBL 976 : "
0030 print "J3-22 >-----< J1-22 ( LSB )"
0040 print "J3-23 >-----< J1- 6"
0050 print "J3-24 >-----< J2-22"
0060 print "J3-21 >-----< J2- 6 ( MSB )"
0070 for A=0 to 15 step 1
0080   out 17,A
0090   in 28,B
0100   C=B mod 16
0110   if C=A then
0120     print "Karakteren";
0130     print using "###" : A;
0140     print ", Ok."
0150   else
0160     print "Karakteren";
0170     print using "###" : A;
0180     print ", Fejl ! Modtaget karakteren";
0190     print using "###" : C
0200   endif
0210 next A
0230 end
```



*CBL 976 Connected to test of  
MSE 701 Modem Signal Extension.*





*BIT 0 to BIT 6 is set as shown*

*BIT 7 is set on if MINI Floppy is used*

*else it is off (on = red dot visible)*

*Value sensed is 2A or AA*

*Switch setting on MIC 702/MIC 703  
if MSE 701 is used.*



**RETURN LETTER**

Title: MF 015 Microfeature  
Technical Manual

RCSL No.: 44-RT2013

A/S Regnecentralen af 1979/RC Computer A/S maintains a continual effort to improve the quality and usefulness of its publications. To do this effectively we need user feedback, your critical evaluation of this manual.

Please comment on this manual's completeness, accuracy, organization, usability, and readability:

---

---

---

---

Do you find errors in this manual? If so, specify by page.

---

---

---

---

How can this manual be improved?

---

---

---

---

Other comments?

---

---

---

---

---

Name: \_\_\_\_\_ Title: \_\_\_\_\_

Company: \_\_\_\_\_

Address: \_\_\_\_\_

Date: \_\_\_\_\_

Thank you

..... **Fold here** .....

..... **Do not tear - Fold here and staple** .....

Affix  
postage  
here

 **REGNECENTRALEN**  
af 1979

Information Department  
Lautrupbjerg 1  
DK-2750 Ballerup  
Denmark