
RCSL No: 52-AA629

Edition: March, 1977

Author: Villy Hansen

Title:

Drawings for FPA 100

Keywords:

FPA 100, Front Processor Adapter

Abstract:

This paper contains the drawings for the FPA 100 for use in connection with RC 8000/RC 3600

(44 printed pages)

Copyright © 1981, A/S Regnecentralen af 1979
RC Computer A/S

Printed by A/S Regnecentralen af 1979, Copenhagen

Users of this manual are cautioned that the specifications contained herein are subject to change by RC at any time without prior notice. RC is not responsible for typographical or arithmetic errors which may appear in this manual and shall not be responsible for any damages caused by reliance on any of the materials presented.

CONTENTS

Dwg. No.

CONTENTS	Dwg. No.
Card Survey	A 24389
Logic Diagrams:	
Pos. 1 RC 3285-5	A 12539
	A 12540
	A 12972
	A 12542
	A 12543
Pos. 2 RC 3285-6	A 12544
	A 12545
	A 12546
	A 12547
Pos. 3 RC 3285-7	A 12548
	A 12549
	A 12550
	A 12551
	A 12552
	A 12553
	A 12554
Internal Cables to J 1, J 2, J 3	A 12555
Internal Cable to J 5	A 12556
Internal Cable to J 6	A 12557
Timing Charts:	
TC 1 Write Timing	A 12646
TC 2 Write Timing (4 char.)	A 12647
TC 3 Read Timing (2 char.)	A 12648
TC 4 Read Timing	A 12729
Jack/Plugs:	
Pluglist P 0	A 24145
Jacklist J 1	A 24146
Jacklist J 2	A 24147
Jacklist J 3	A 24148
Jacklist J 4	A 24149
Jacklist J 5	A 24150

CONTENTS

Cabellists.....

- CBL 065.....
- CBL 259.....
- CBL 410.....
- CBL 432.....
- CBL 439.....
- CBL 466.....
- CBL 817.....

760517 VH 760521 IGH

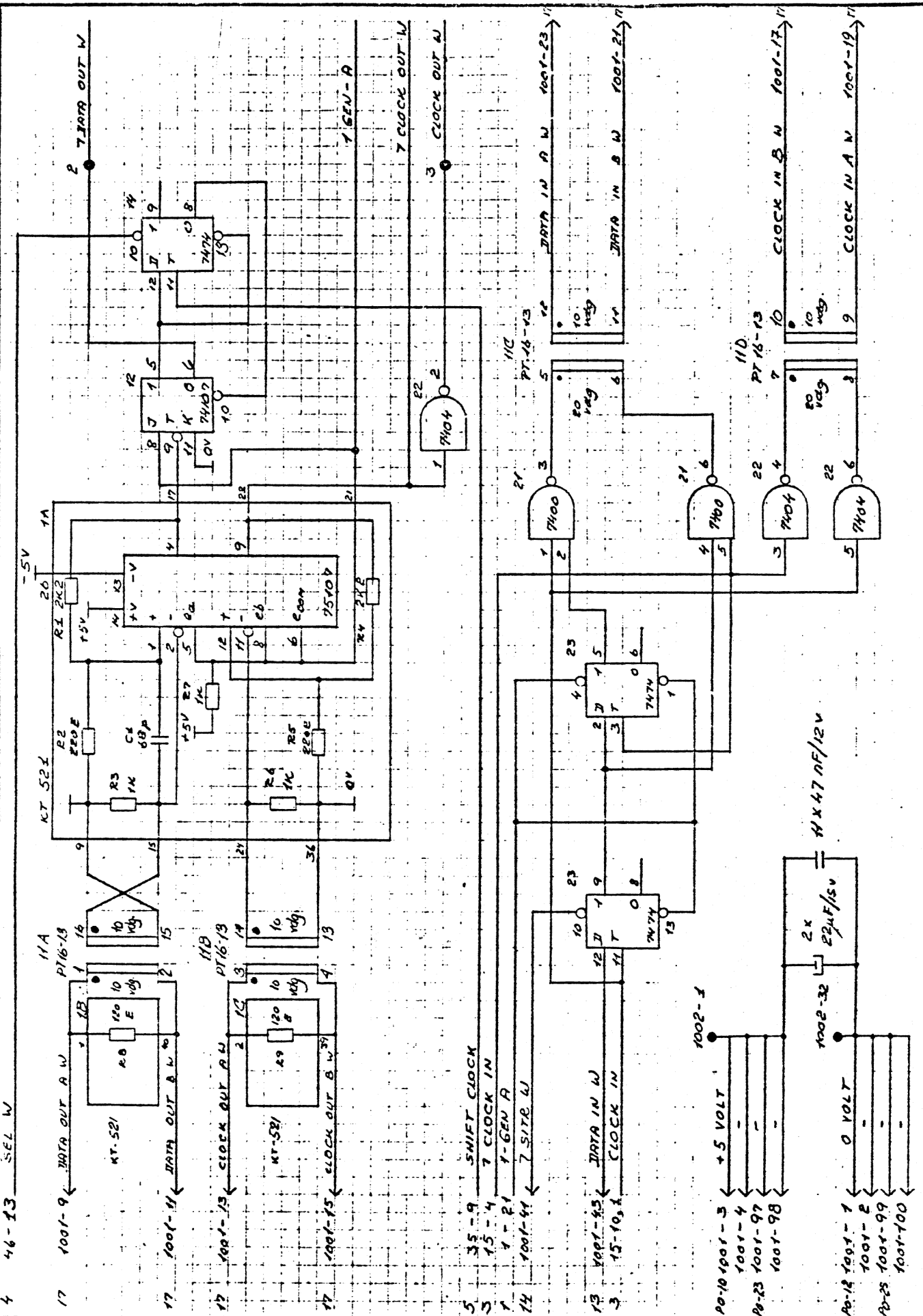
	MKP 104	MKL 104
POWER SUPPLY		
	RC 3285 - 5	
	RC 3285 - 6	
	RC 3285 - 7	
	SPARE	
POSITION	1	2
	3	4

FPA 100

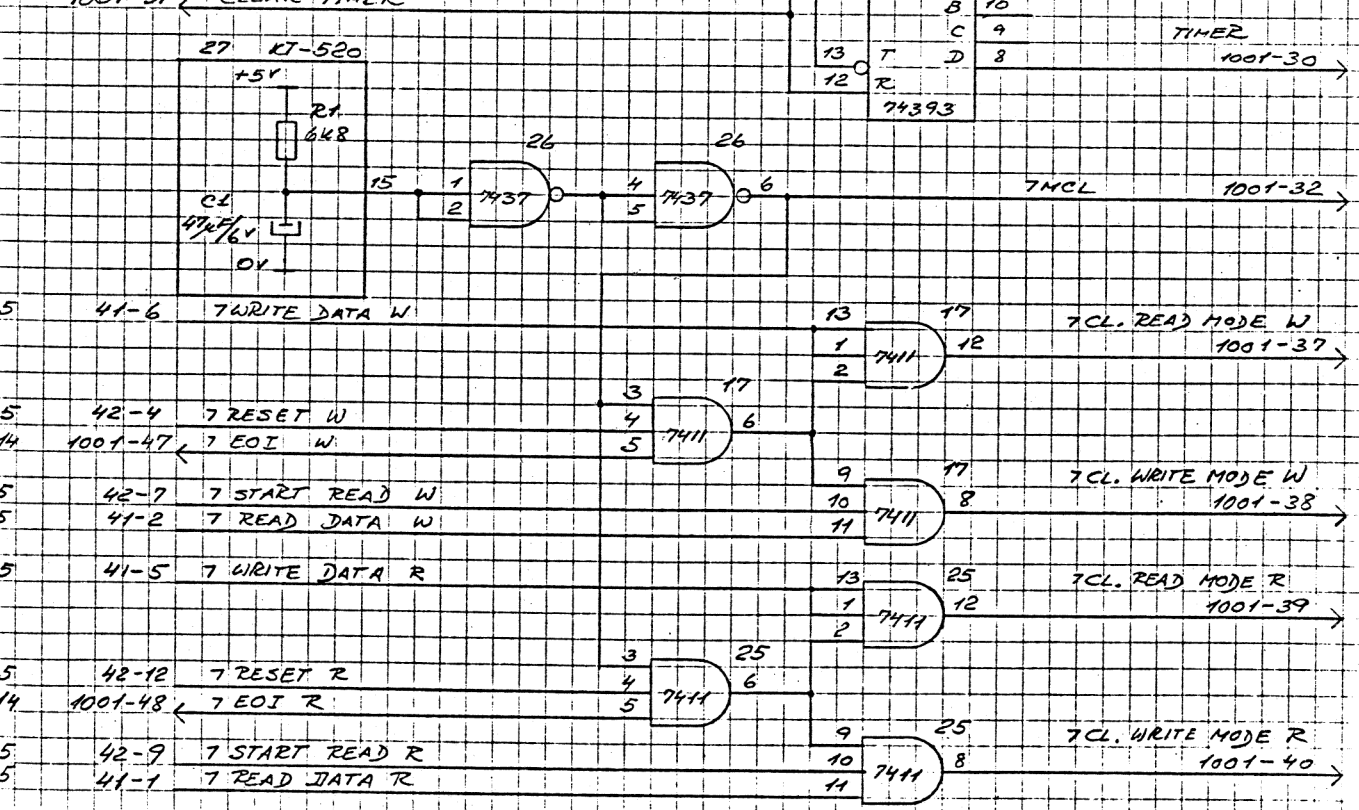
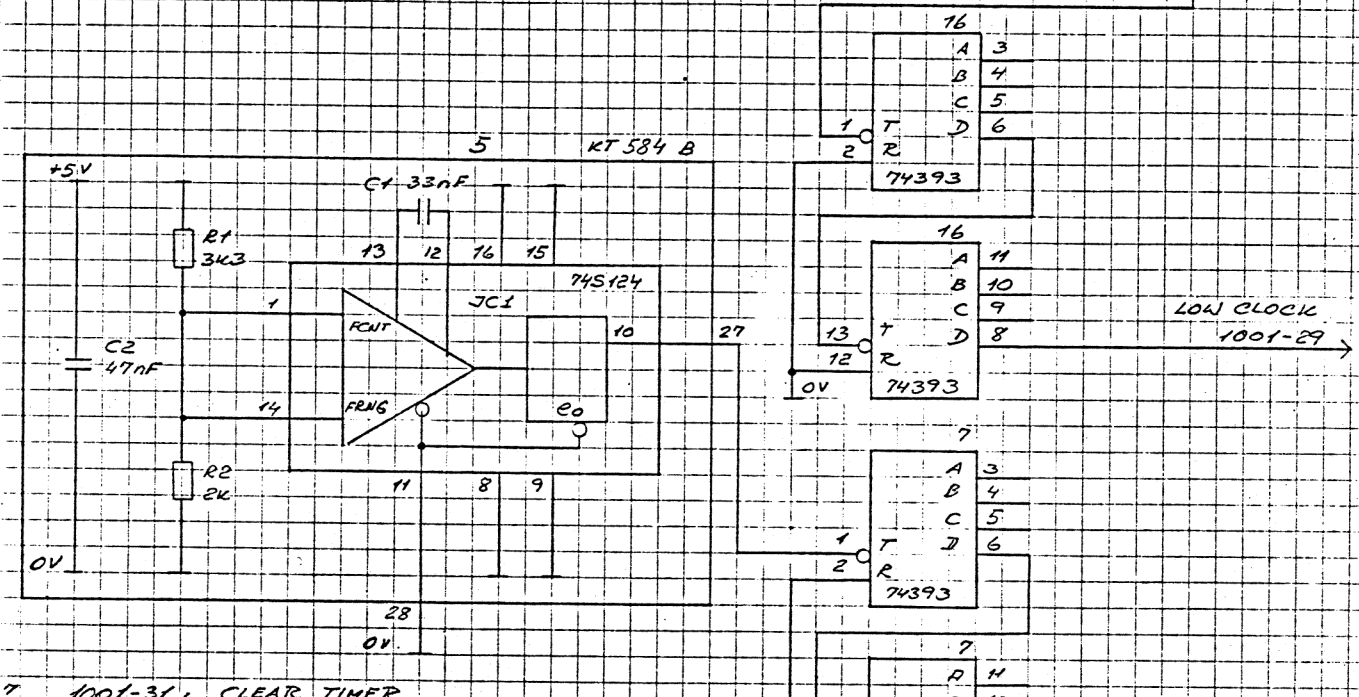
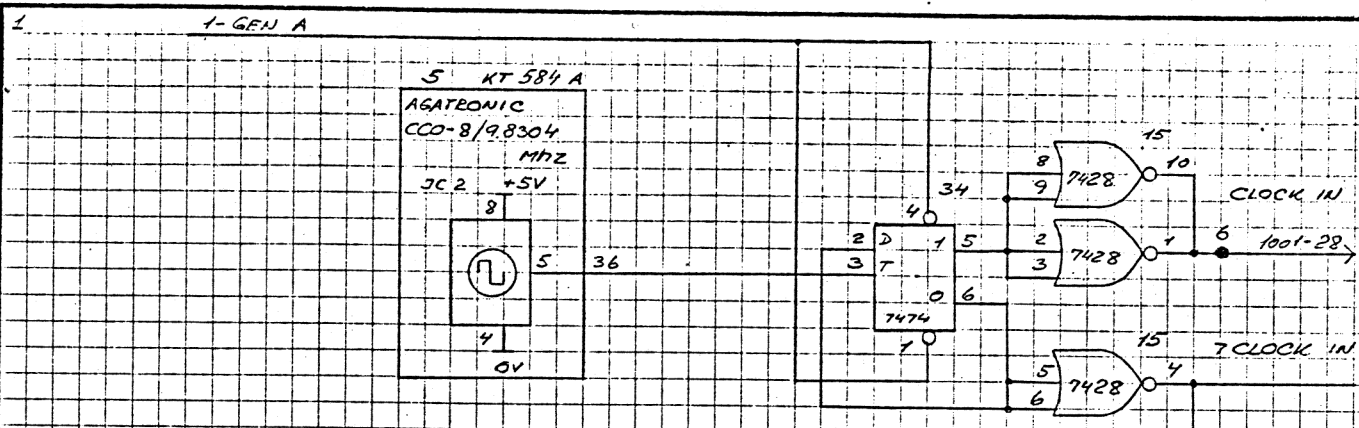
A24389

CARD SURVEY
FRONT VIEW

A/S REGNENTRALEN Designed by VH 25/11-75 Drawn by 46-13 S-E-L W	Dwg. Office Check Design Check Replaces Dwg. No. due to ECN	Replaced by Dwg. No.
--	--	----------------------



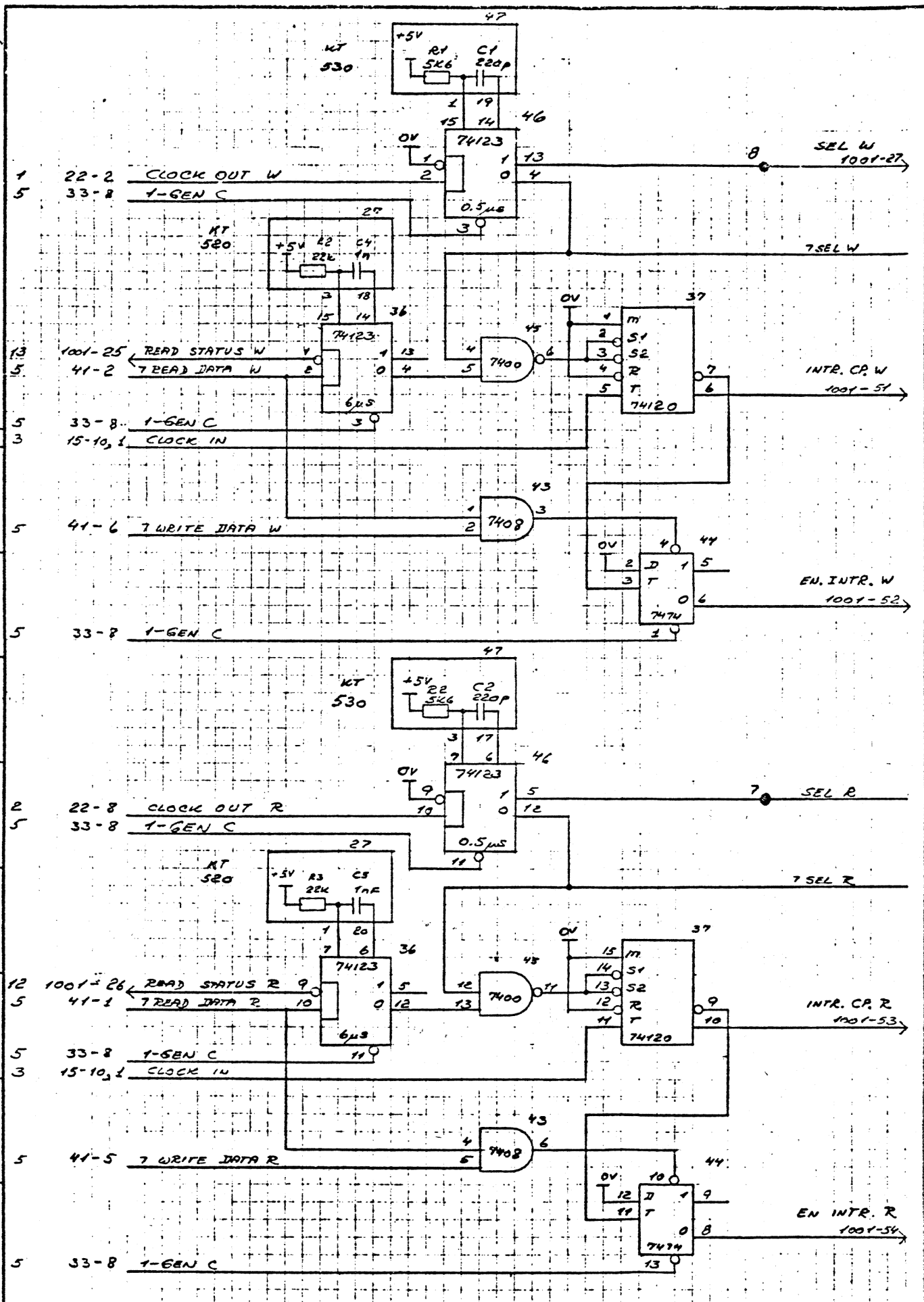
UNK FPA 100 Dwg. No. A12539	DATA/CLOCK RECEIVER - DATA/CLOCK MODULATORS WRITE CHANNEL RC 3285-5	POS 1 1-5
--------------------------------------	---	--------------



Replaces Dwg. No. 18-013
due to ECN
412541
Design Check
Dwg. Office Check
Drawn by
Designed by VH 4/3-77
A/S REGNENTRALEN

Unit FPA 100	CLOCK GEN, TIMER and CLEAR CIRCUITS	3 POS 1 3-5
Dwg. No. A 12972		
RC 3285-5		

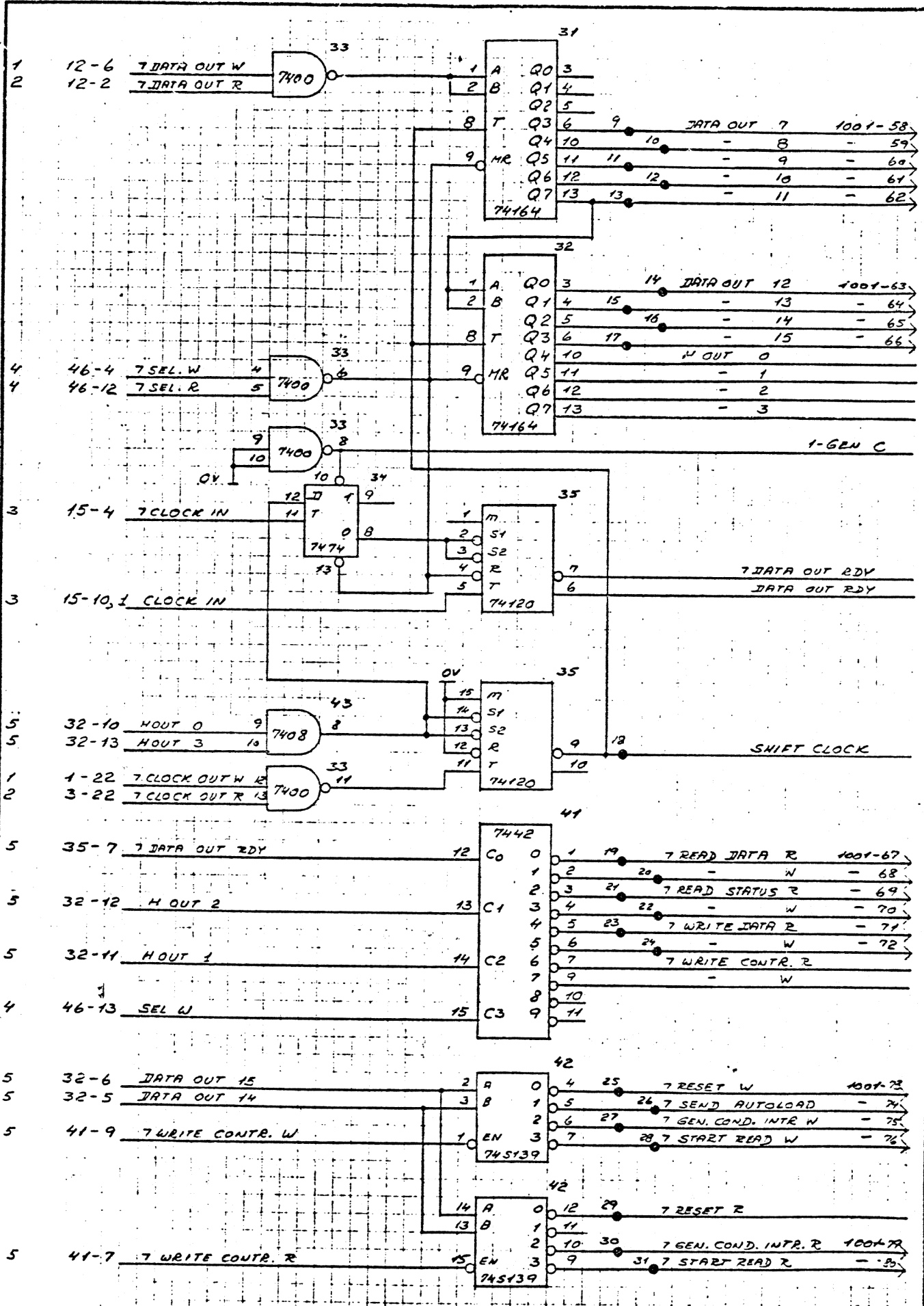
RC doc: V8 140



Replaced by Dwg. No. due to ECH
 Design Check
 Dwg. Office Check
 Drawn by
 Designed by VW
 4/12-75

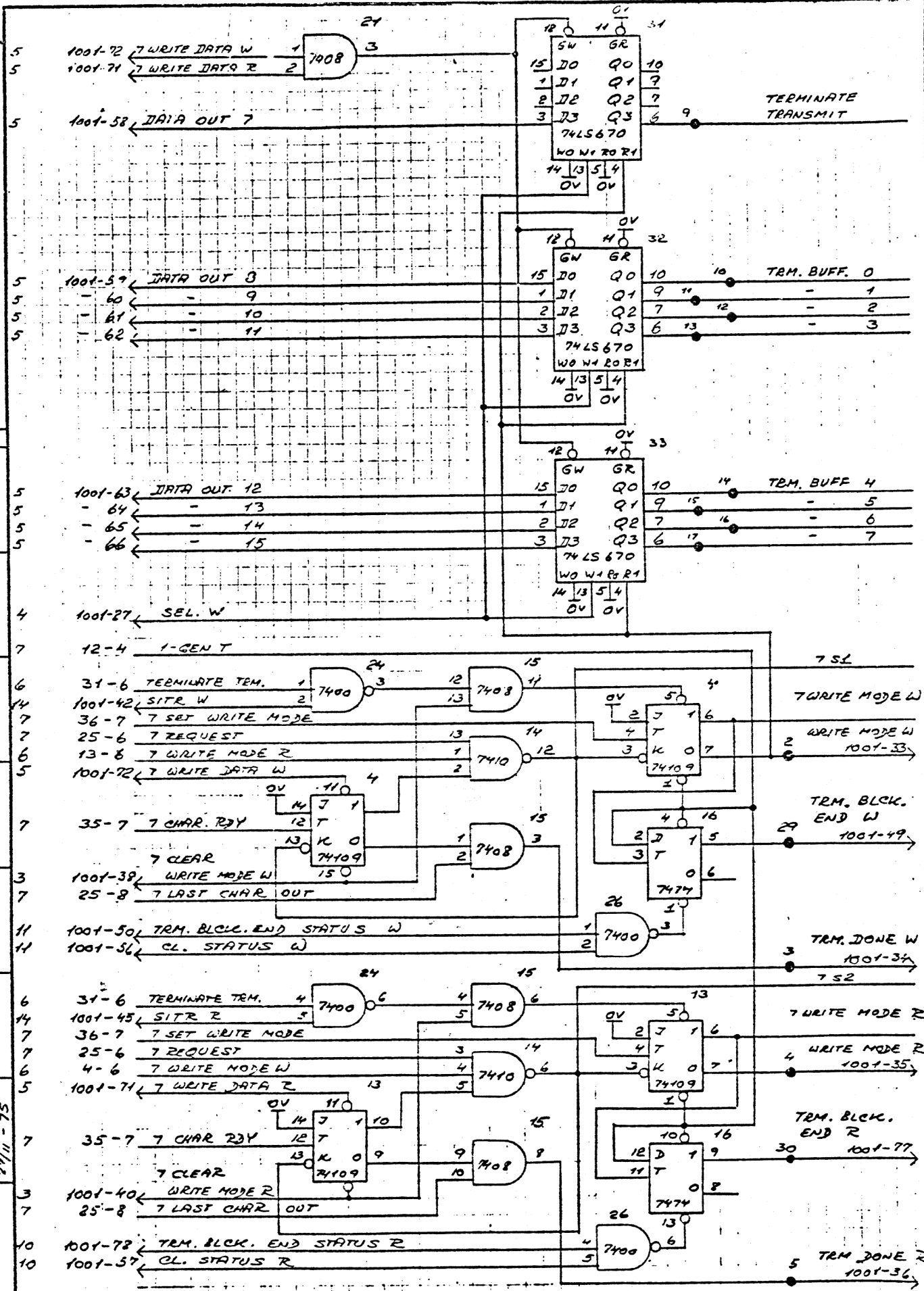
Unit FPA 100	SELECTION CIRCUITS	4
Dwg. No. A12542		Pos 1 4-5
RC 3285-5		

RC des. V8 10



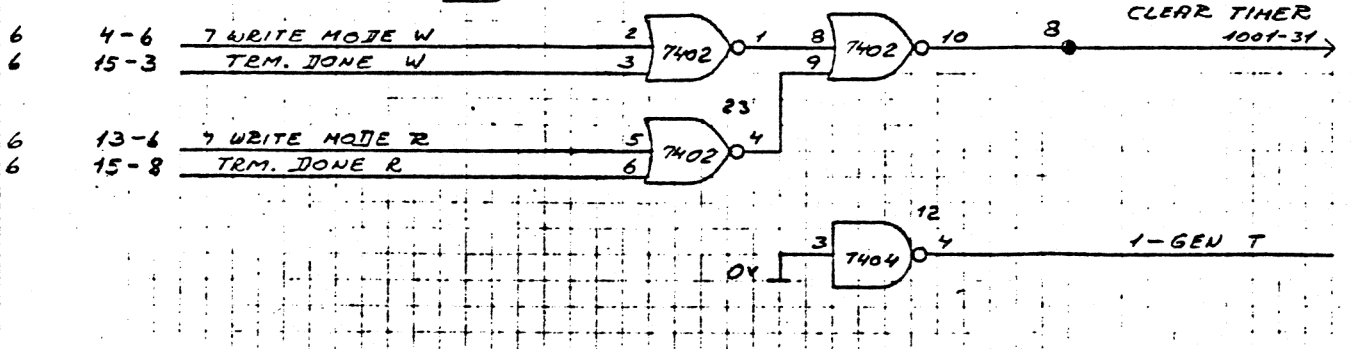
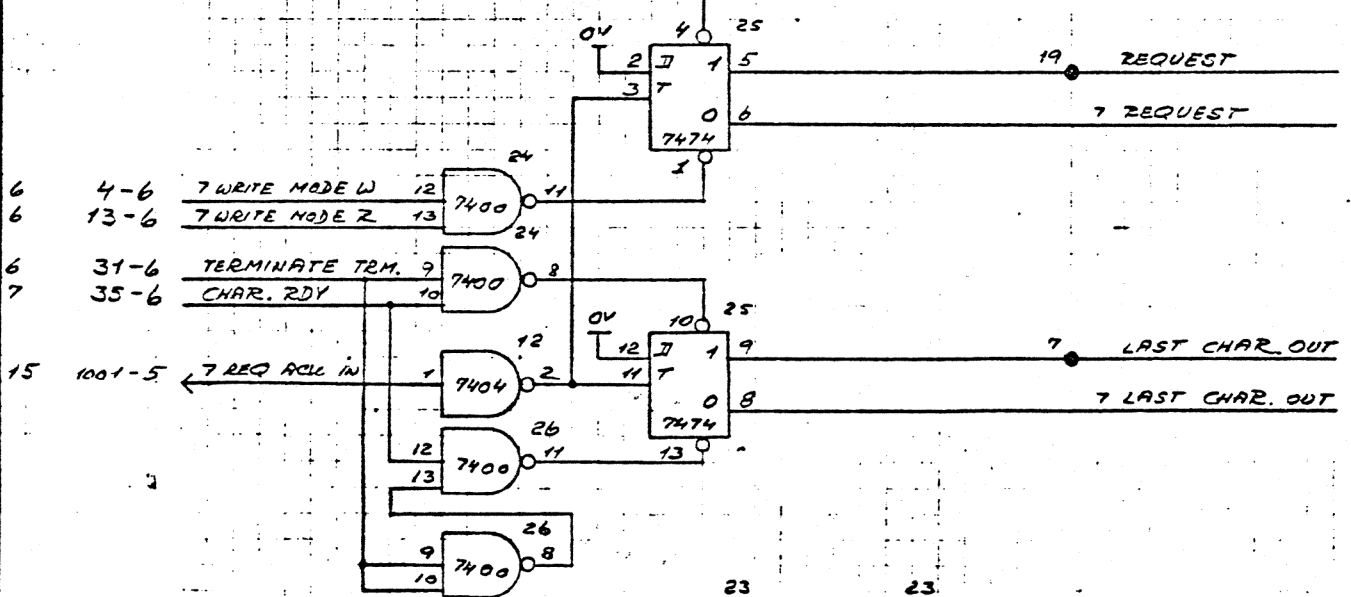
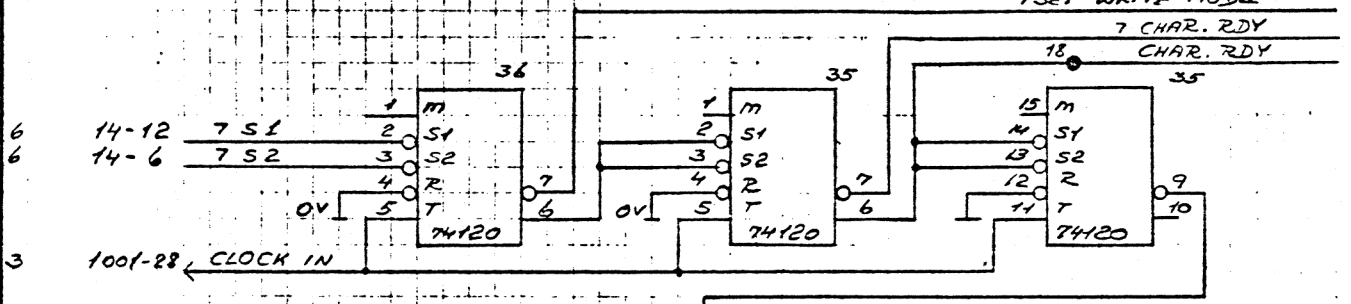
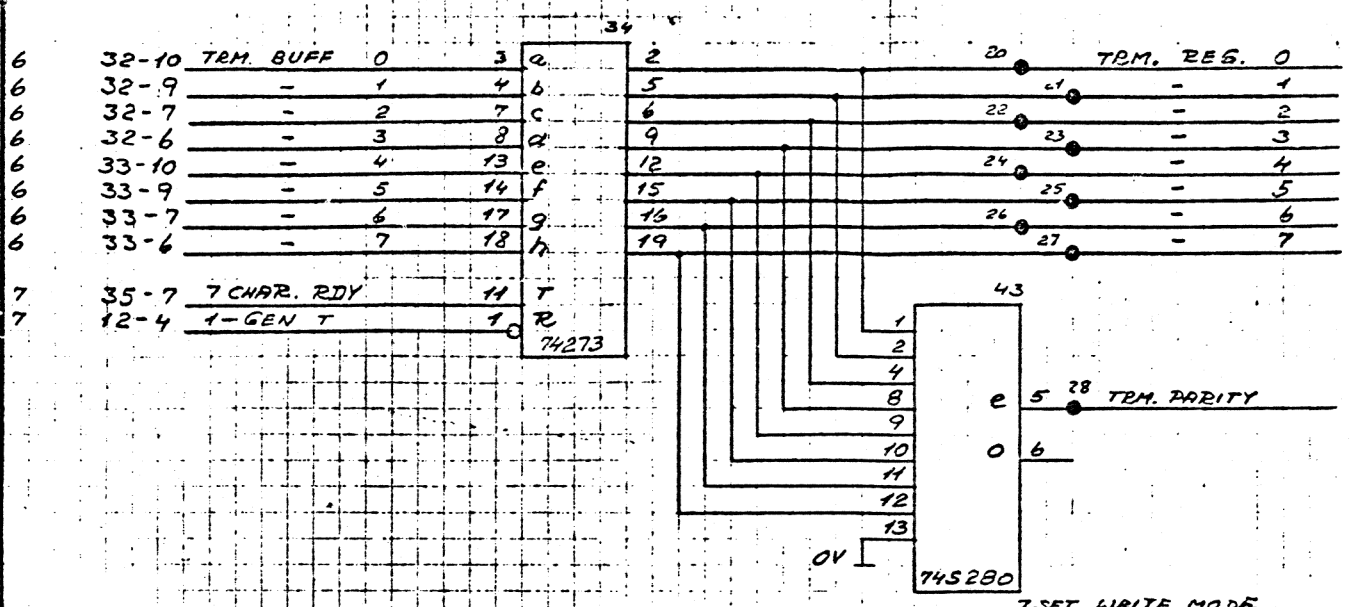
Replaced by Dwg. No. _____
 due to ECN _____
 Replaces Dwg. No. _____
 Design Check _____
 Dwg. Office Check _____
 Drawn by _____
 Designed by VM 26/11-75
AIS REGNENTRALEN

Unit	FFA 100	DATA OUT REG. & INSTRUCTION DECODING	5
Dwg. No.	A12549		Pos 1
			5-5
RC 3285-5			



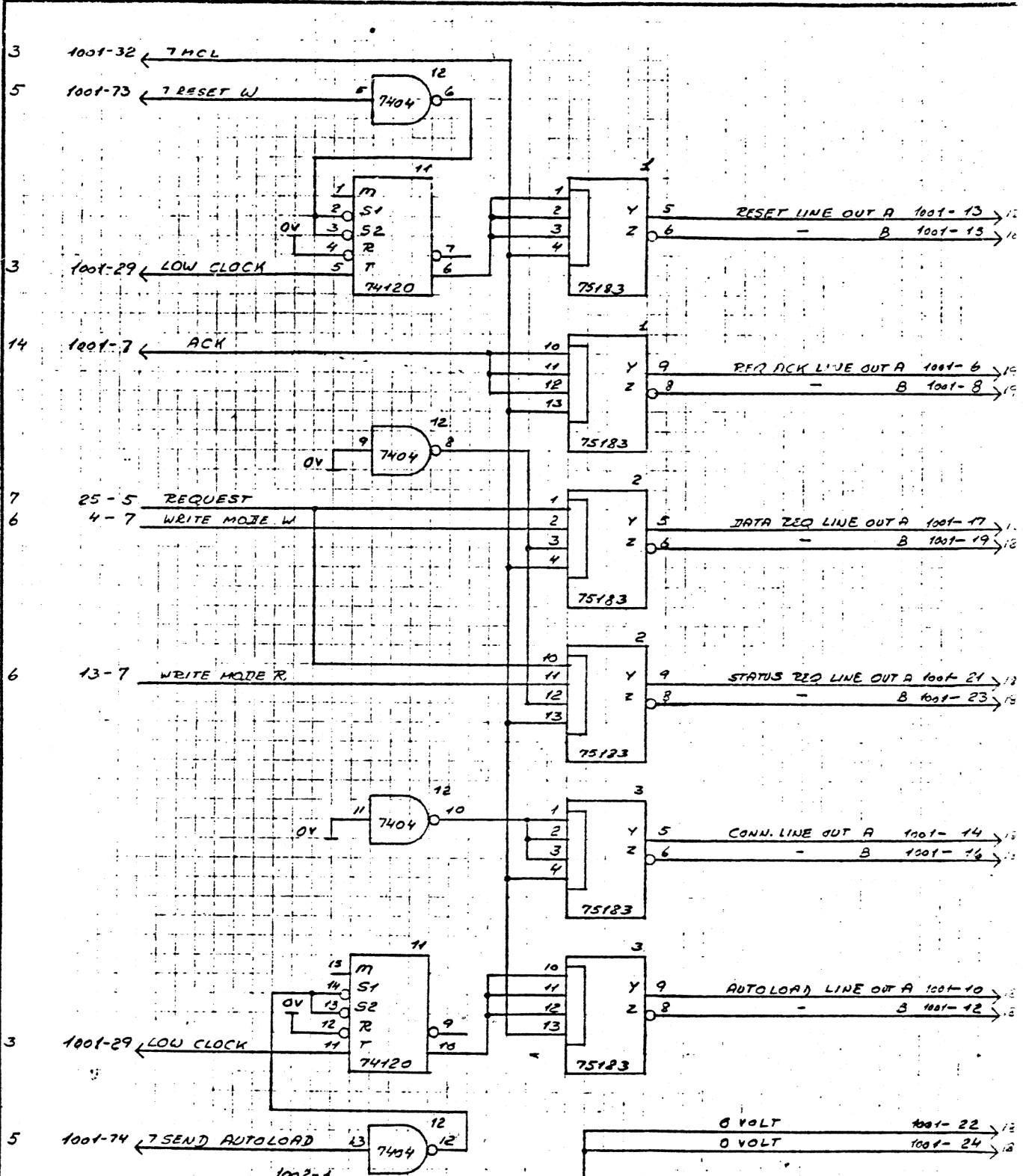
Replaced by Dwg. No. 27/11-75
 due to ECN
 Replaces Dwg. No. 27/11-75
 Design Check
 Dwg. Office Check
 Drawn by VW
 A/S REGNENTRALEN

Unit	FPA 100	TRANSMITTER CHARACTER BUFFER, WRITE MODE FF'S.	6
Dwg. No.	A12544	and TRANSMITTER DONE FF'S.	Pos 2
		RC 3285-6	1-4

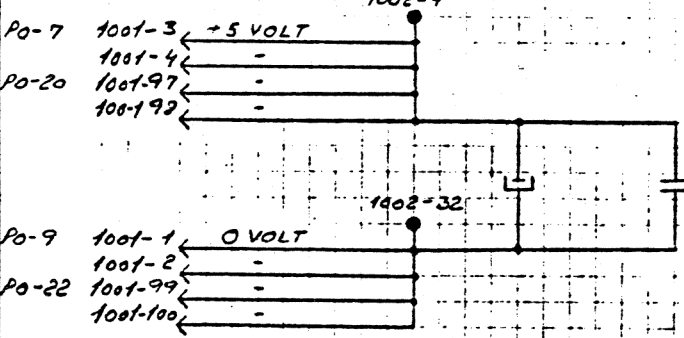


Replaced by Dwg. No. _____
 due to ECN _____
 Replaces Dwg. No. _____
 Design Check _____
 Dwg. Office Check _____
 Drawn by _____
 Designed by WY 5/12 - 75
 A/S REGNECENTRALEN

Unit	FPA 100	7
Dwg. No.	A12545	Pos. 2
	TRANSMITTER CHARACTER REG., REQUEST and LAST CHARACTER OUT	2-4
	ZC 3225-6	



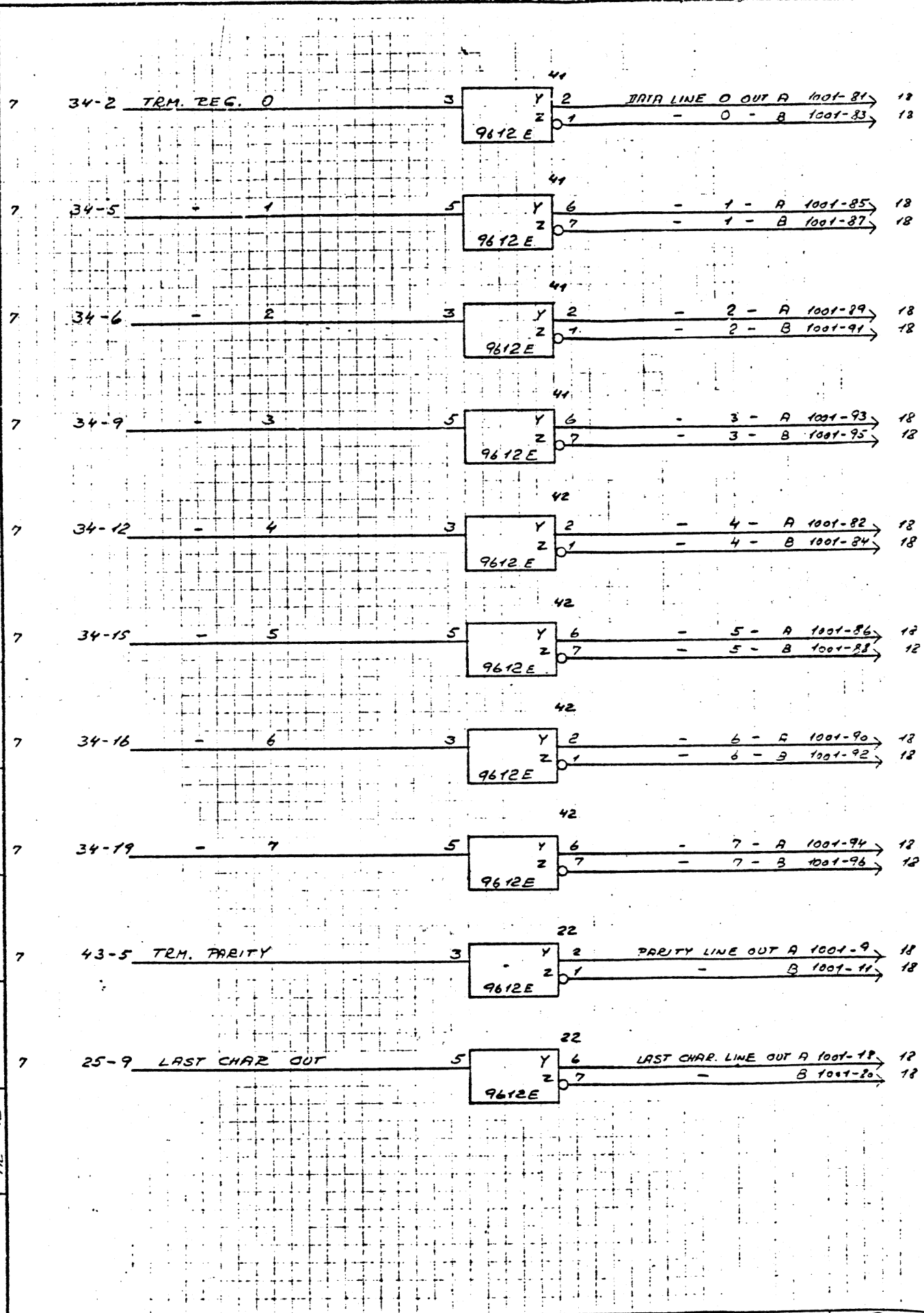
Replaced by Dwg. No. _____
 due to ECN _____
 Replaces Dwg. No. _____
 Design Check _____
 Dwg. Office Check _____
 Drawn by _____
 Designed by J/H 24/11-75
A/S REGNENTRALEN



Unit FAA 100	CONTROL LINES TO OPPOSITE CONTROLLER	B
Dwg. No. A12546		Pos 2 3-4

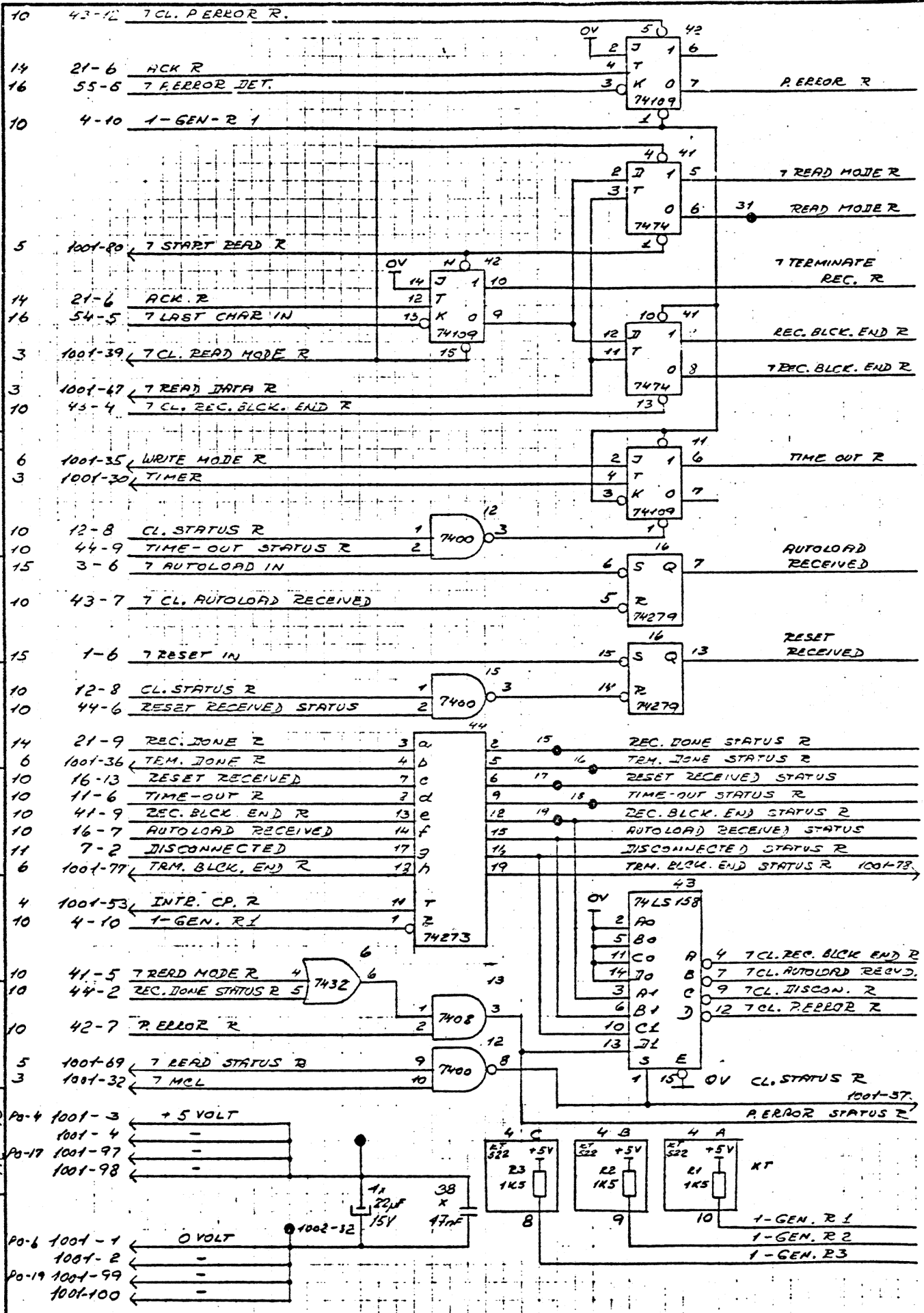
RC 3285 - 6

Replaced by Dwg. No. due to ECN Replaces Dwg. No. Design Check Dwg. Office Check Drawn by Designed by 5/12 - 75
 A/S REGNENCENTRALEN



Unit FAA 100	DATA LINES TO OPPOSITE CONTROLLER	9 Pos 2
Dwg. No. A12547	RC 3285-6	4-4

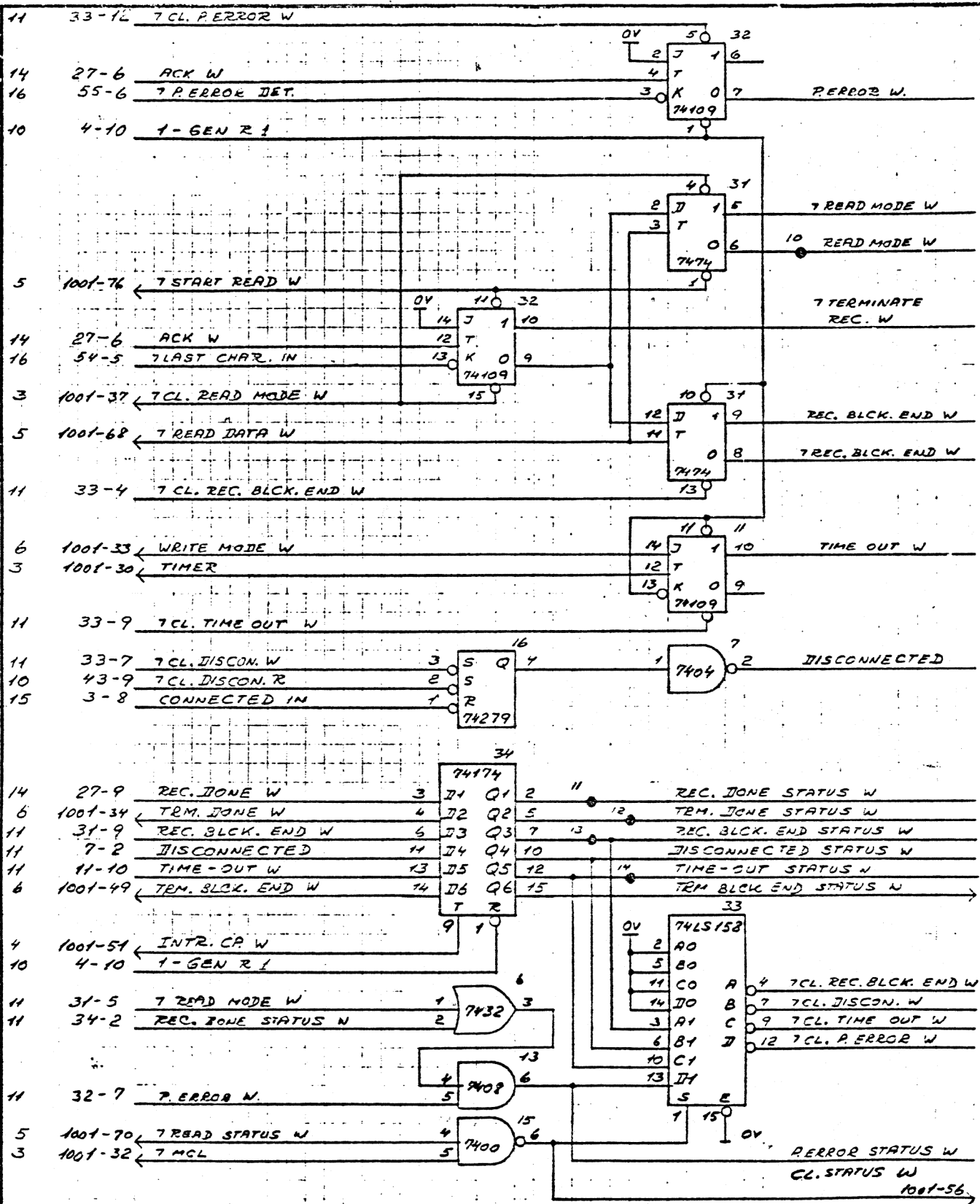
RC doc 10 110



Replaced by Dwg. No. _____
 due to ECN _____
 Replaces Dwg. No. _____
 Design Check _____
 Dwg. Office Check _____
 Drawn by _____
 Designed by LW 2/12-75
 AIS REGNENTRALEN

Unit	FPA 100	10
Dwg. No.	A12548	Pos 3
	READ CHANNEL STATUS	1-7
	RC 3285-7	

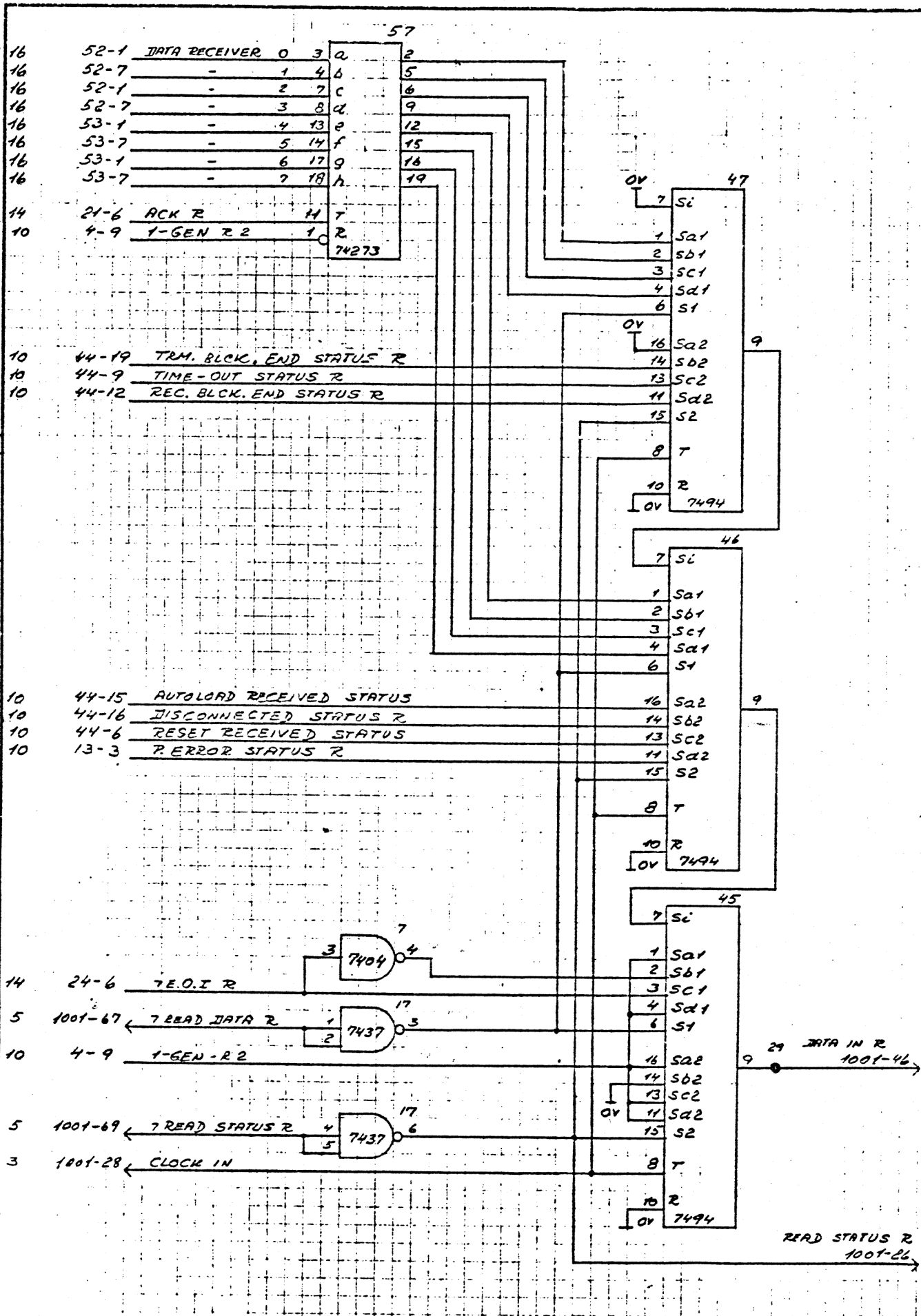
AC doc 18 110



Replaced by Dwg. No. due to ECN
 Replaces Dwg. No.
 Design Check
 Dwg. Office Check
 Drawn by
 Designed by: MH 28/11-75

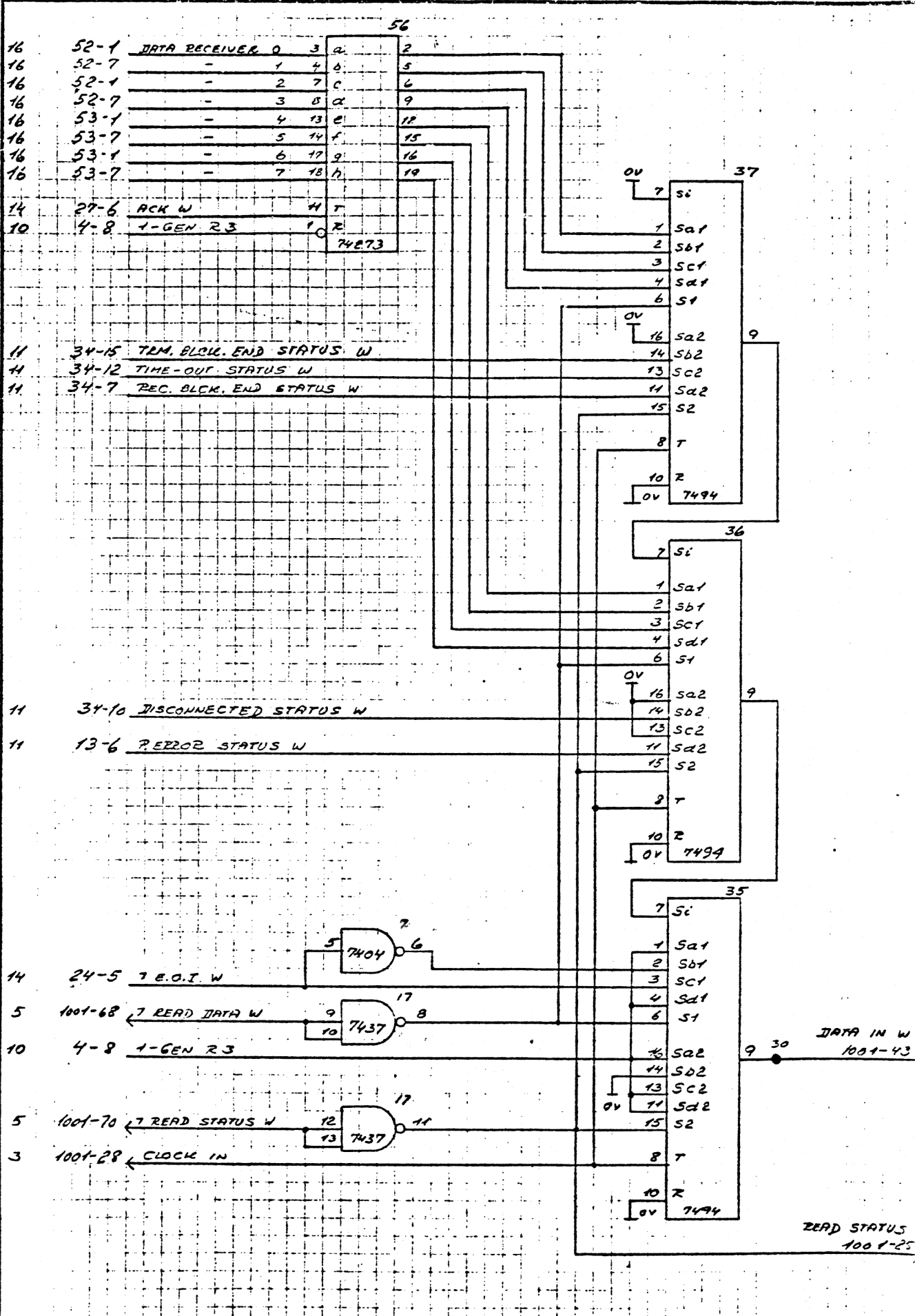
Unit FPA 100	WRITE CHANNEL STATUS	11 POS 3 2-7
Dwg. No. A12549	RC 3285-7	

A/S REGNENTRALEN



AC doc. VS 140
 A/S REGNECENTRALEN
 Designed by VM 28/11-75
 Drawn by
 Dwg. Office Check
 Design Check
 Replaces Dwg. No. due to ECN
 Replaced by Dwg. No.

Urr FPA 100	READ CHANNEL - DATA IN REGISTER	18
Dwg. No. A12550		Pos. 3 3-7
RC 3285-7		

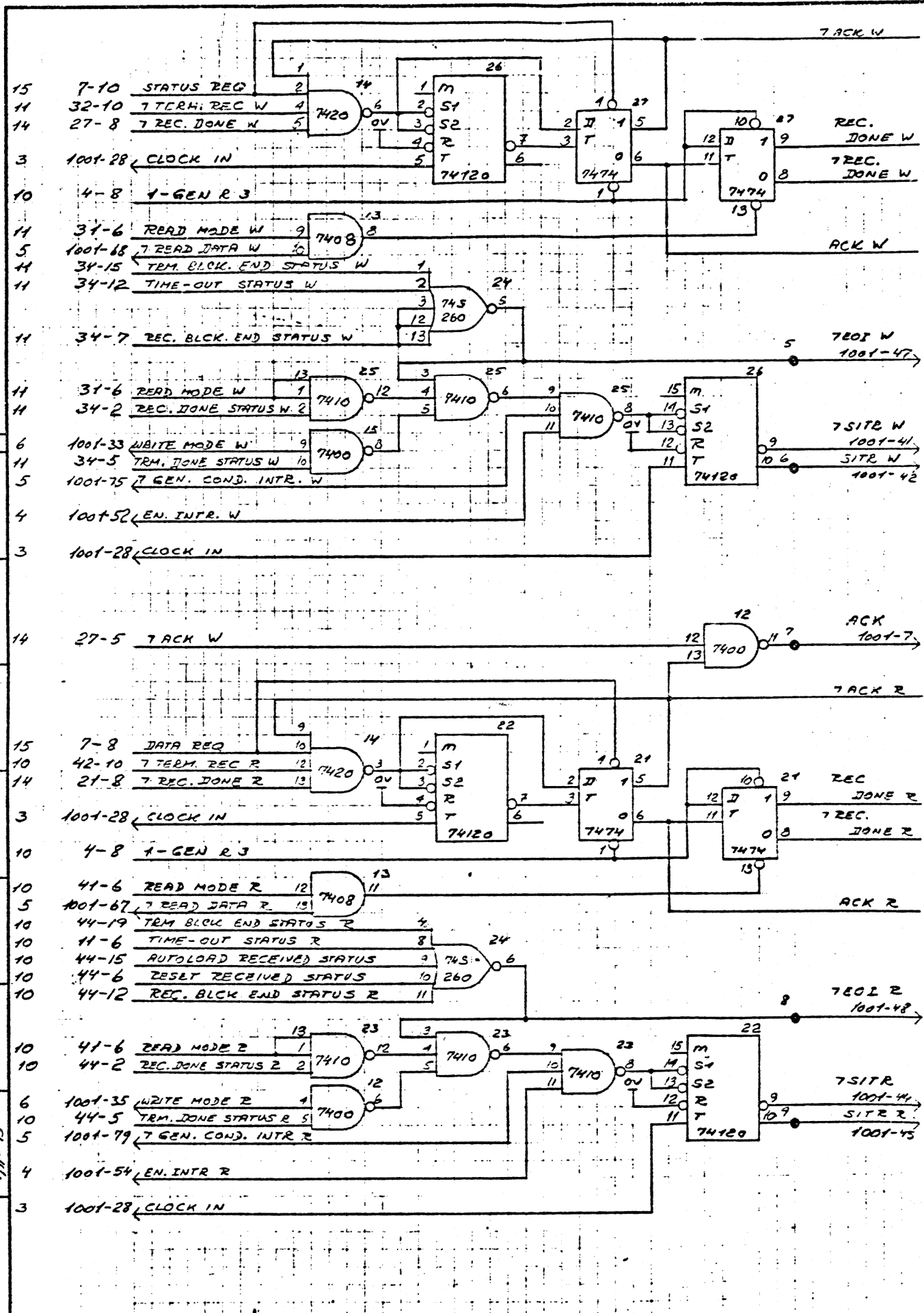


Replicated by Dwg. No. _____
 due to ECN _____
 Replicated Dwg. No. _____
 Design Check _____
 Dwg. Office Check _____
 Drawn by _____
 Designed by JAV 1/12-75
A/S REGNENCENTRALEN

Unit FPA 100	WRITE CHANNEL - DATA IN REGISTER	13
Dwg. No. A12551		POS. 3 4-7
RC 3285-7		

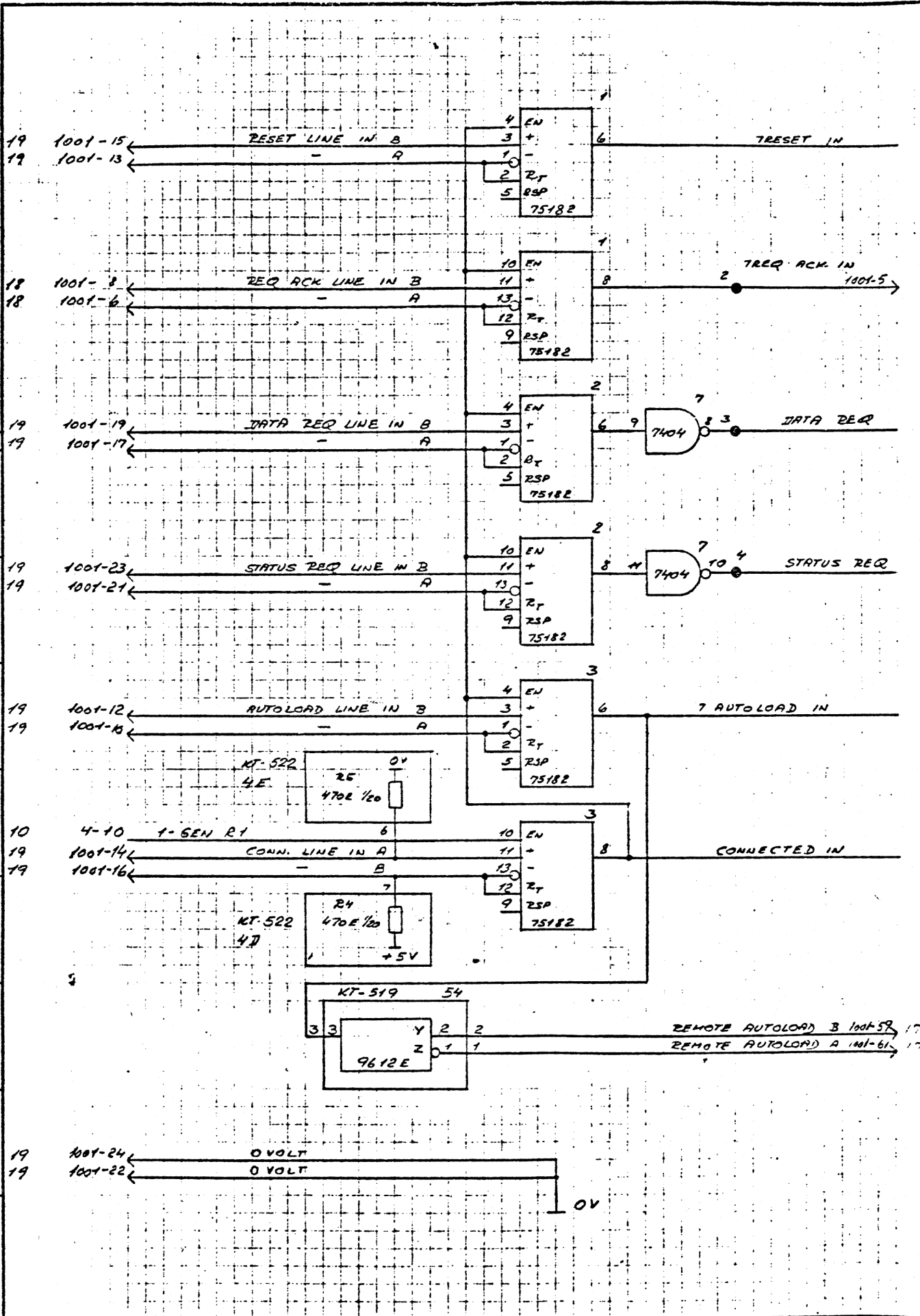
AC INC. VS 100

Replaced by Dwg. No. 1001-47
 due to ECH
 Replaces Dwg. No. 1001-42
 Design Check
 Dwg. Office Check
 Drawn by V/H 4/11-75
 Designed by V/H 4/11-75
 A/S REGNENCENTRALEN
 Unit EPA 100
 Dwg. No. A12552
 AC doc. V8 140



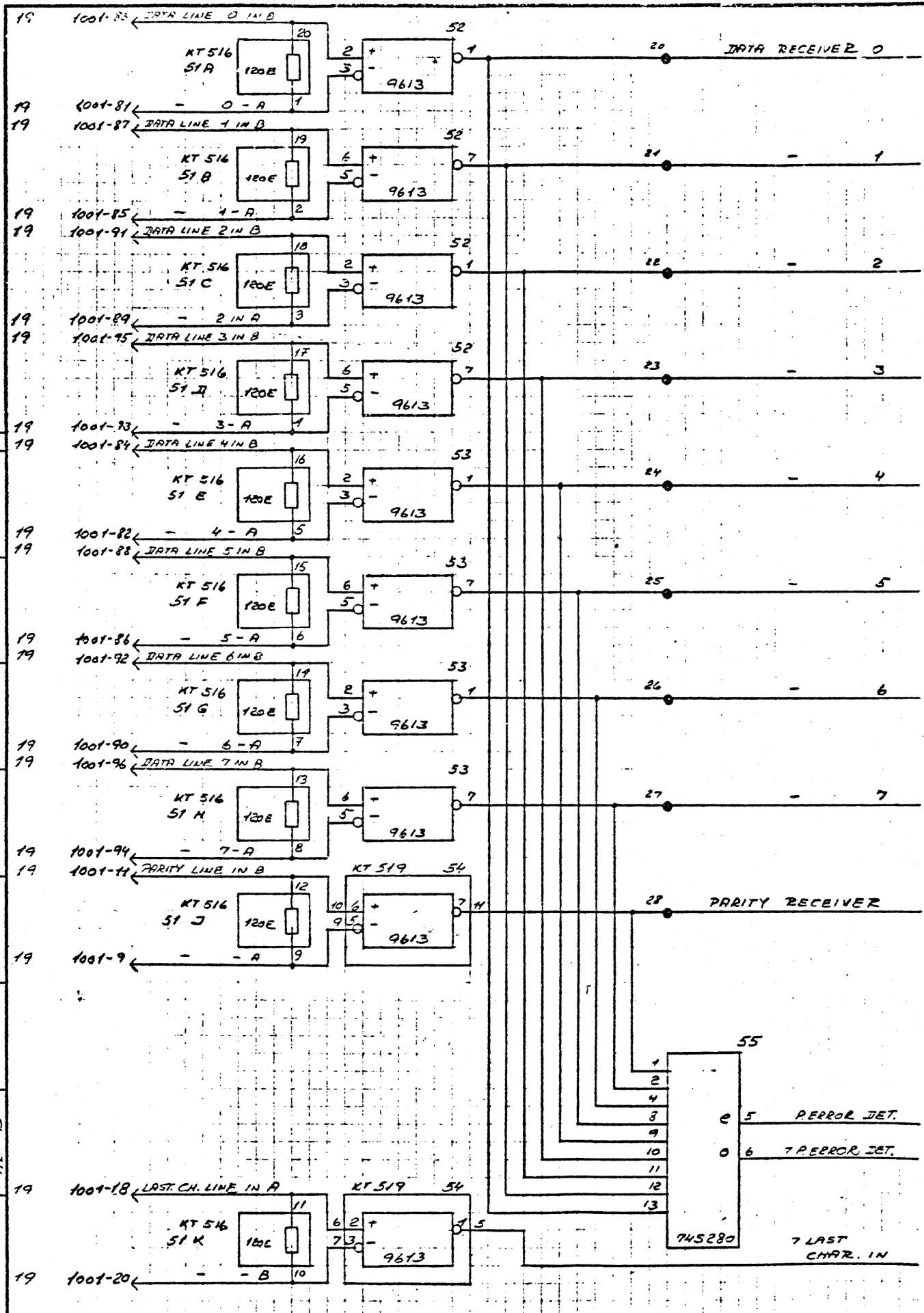
Unit	EPA 100	14
INTERRUPT AND ACKNOWLEDGE		POS. 3
Dwg. No.	A12552	5-7
RC 3285-7		

Replaced by Dwg. No. due to ECN
 Replaces Dwg. No. due to ECN
 Design Check
 Dwg. Office Check
 Drawn by
 Designed by JH 25/11 - 75
 A/S REGNENTRALEN



Unit	FPA 100	15
Dwg. No.	A/2553	Pos. 3
	RC 3225-7	6-7

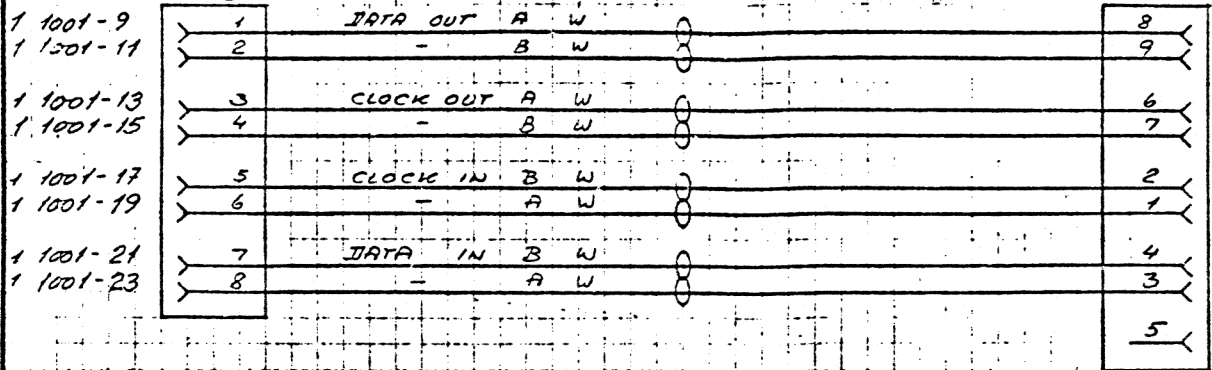
NC doc. 10 140



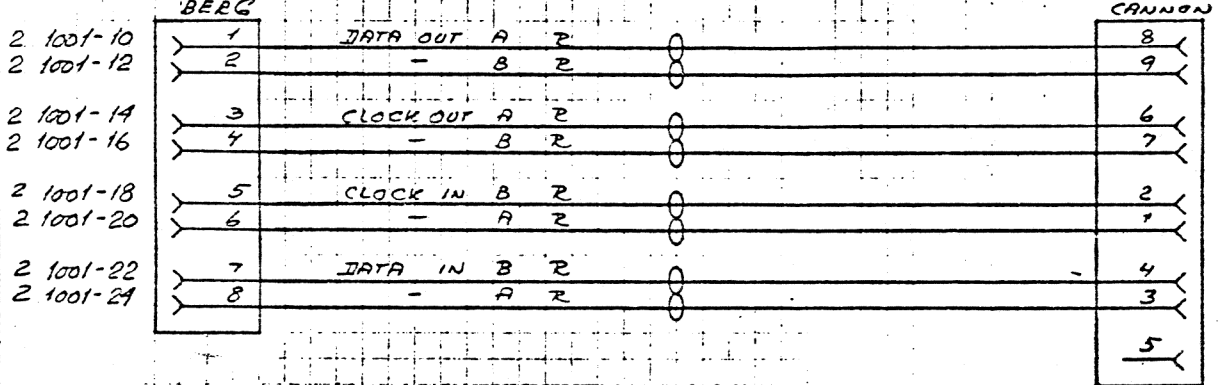
Replicated by Dwg. No. _____
 due to ECN _____
 Replaces Dwg. No. _____
 Design Check _____
 Dwg. Offices Check _____
 Drawn by _____
 Designed by UH
 4/12-75

A/S REGNECENTRALEN	Unit FAA 100	DATA LINES FROM OPPOSITE CONTROLLER	16
	Dwg. No. A1255A		Pos. 3
	RC 3285-7		7-2

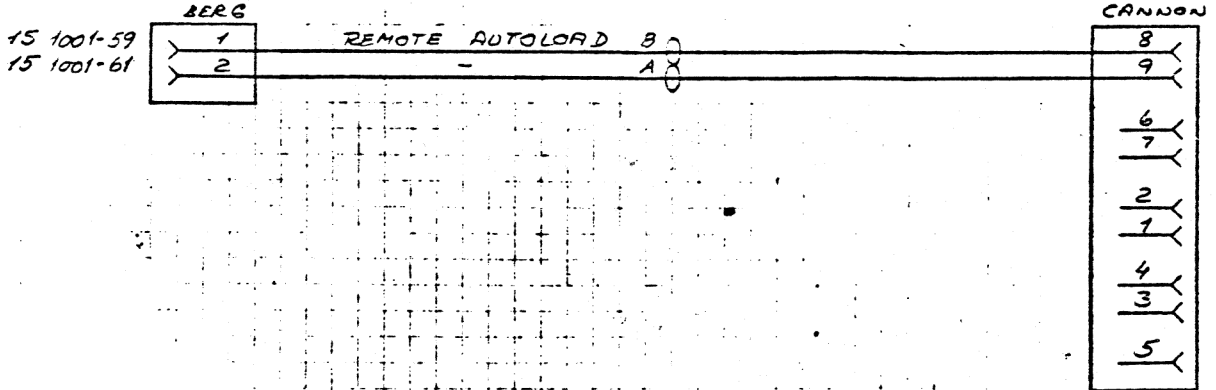
P12 CBL 470 : 25 cm



P13 CBL 470 : 25 cm



P36 CBL 478 : 25cm



BERG PLOBS : Snap housing 20044, pin type MAXL 7U term. 46235A
 CANNON JACKS : CANNON JEC 9 S

Replaced by Dwg. No. _____
 Replaces Dwg. No. _____
 Design Check _____
 Dwg. Office Check _____
 Drawn by _____
 Designed by J/A 11/12-75
 A/S REGNENCENTRALEN

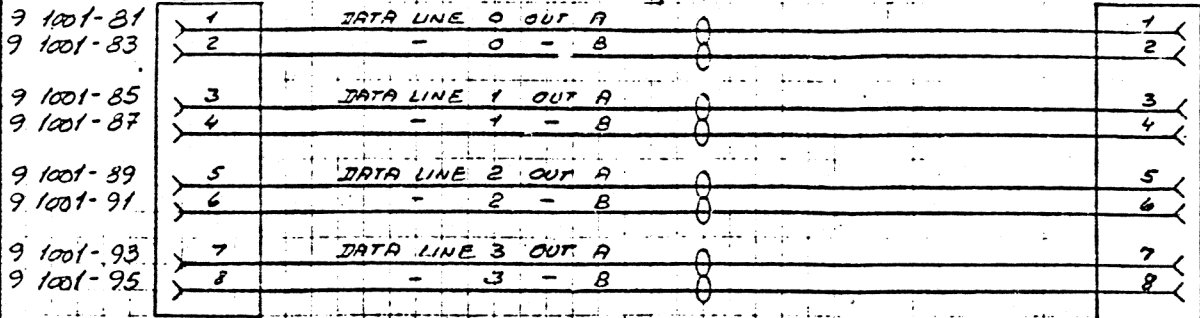
Unit FPA 100	INTERNAL CABLES TO J1, J2 and J3	17
Dwg. No. A12555		

P24
BERG

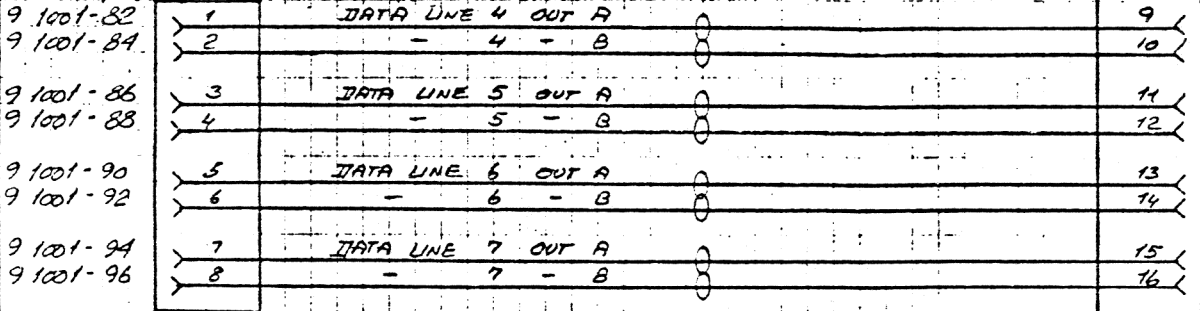
CBA 477

2 25 cm

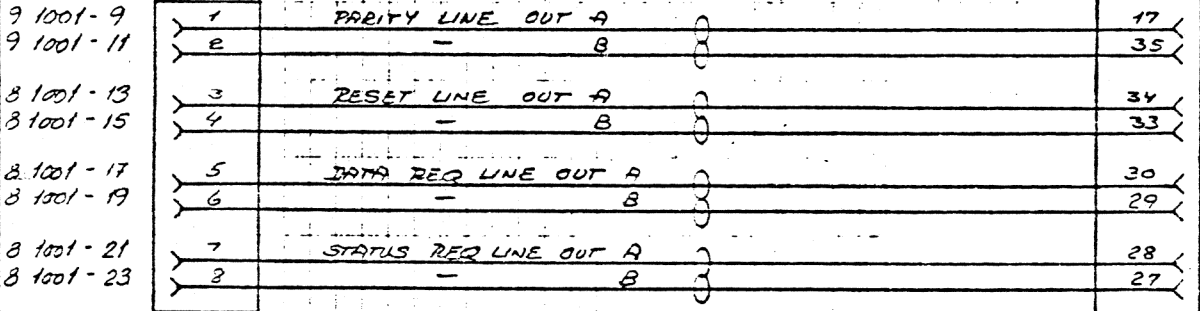
J4
CANNON



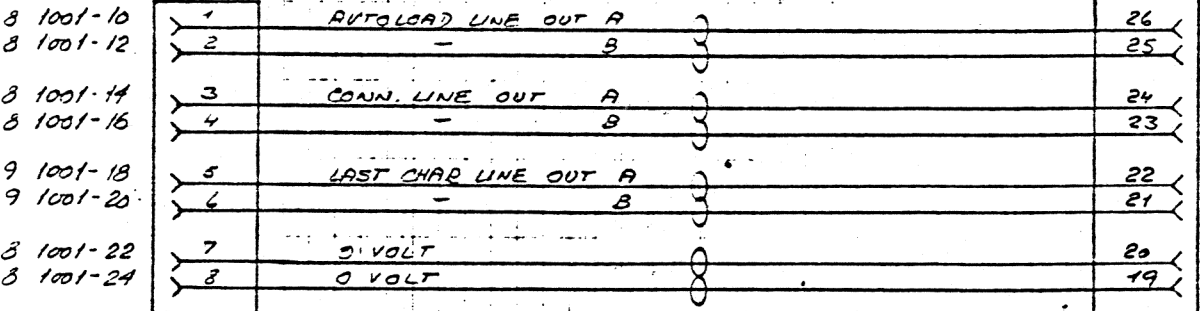
P25
BERG



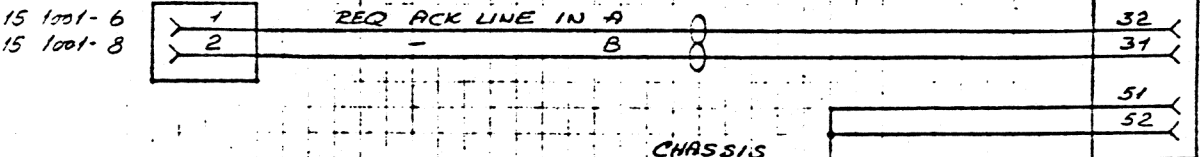
P22
BERG



P23
BERG



P31
BERG



CHASSIS

CANNON JACK : 818 52 S

BERG PLUGS : Snap housing 20049, 2in type. Mado. PV term. 46235A

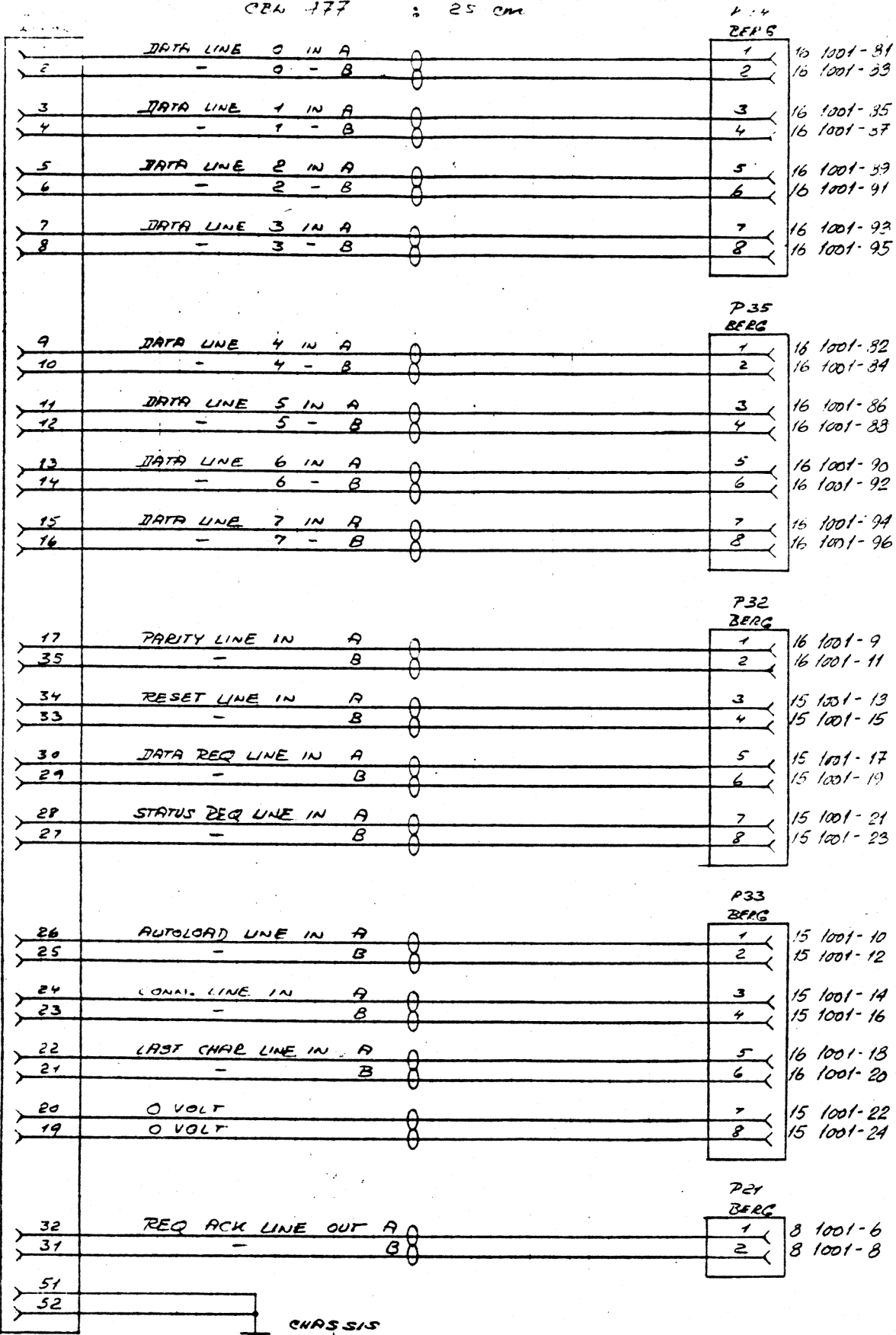
Unit
FPA 100
Dwg. No.
A12556

INTERNAL CABLE TO J4

18

Replaced by Dwg. No. due to ECN Replaces Dwg. No. Design Check Dwg. Office Check Drawn by Designed by V/H 11/12-75
 A/S REGNENTRALEN

CBW 177 : 25 CM



CANNON JACK : 2 JB 52 S
 BERG PLUGS : Snap housing 20044, pin type Maxi PU term. 46235 R

A/S REGNENTRALEN
 Designed by VA 11/12-75
 Drawn by
 Dwg Office Check
 Design Check
 Replaces Dwg. No
 due to ECN
 Replaced by Dwg. No

Unit: EPA 100
 Dwg No: 412517

INTERNAL CABLE TO J5

19

A/S REGNECENTRALEN	Designed by UM 2/11-75	Drawn by	Design Check	Replace Dist. No.	Use as EGN	Replaced by Desig. No.
---------------------------	---------------------------	----------	--------------	-------------------	------------	------------------------

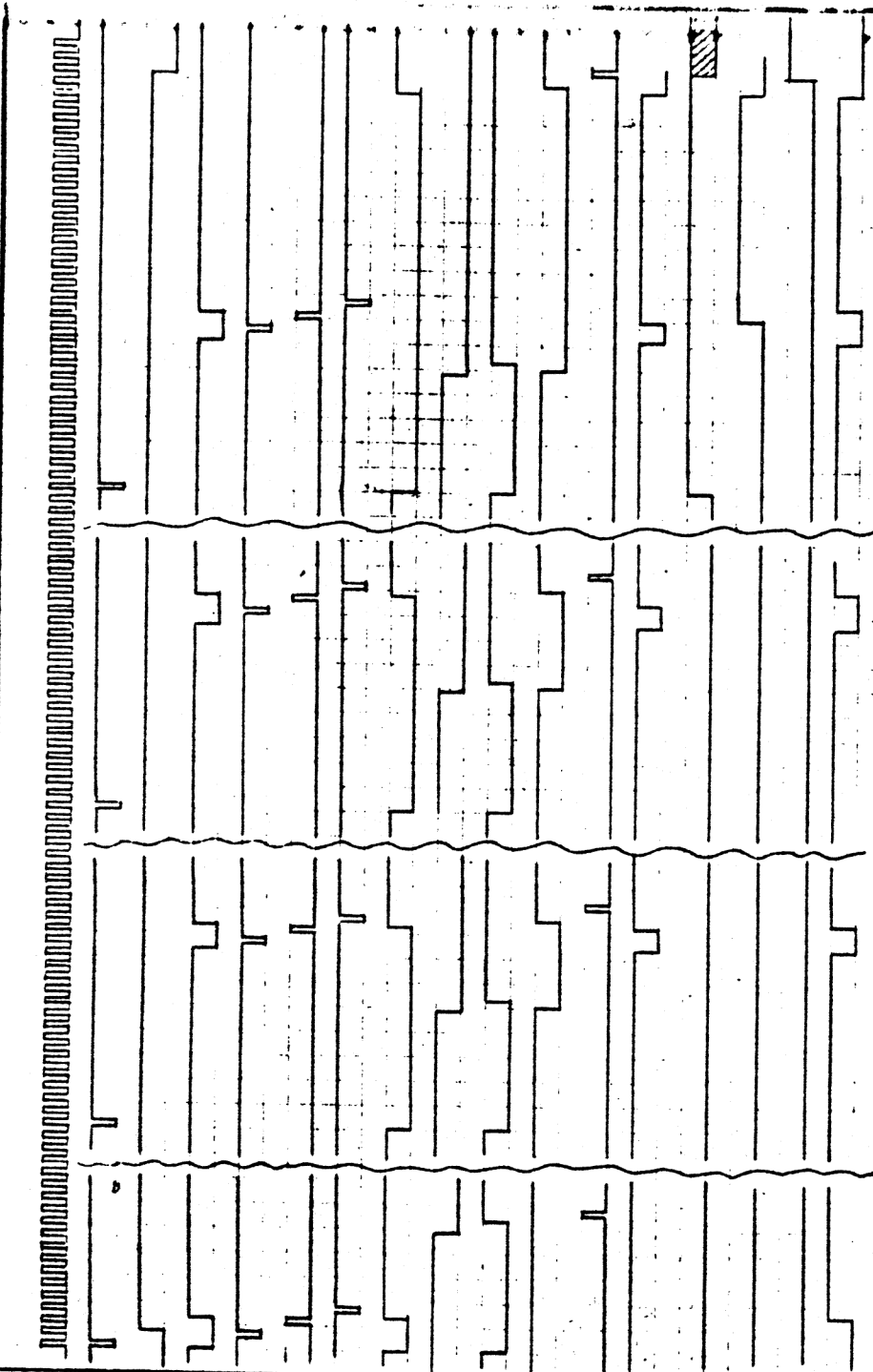
CLOCK IN	3 POS 1 TP 6					
CLOCK OUT W	1 POS 1 TP 3					
SEL W	4 POS 1 TP 8					
WRITE DATA W	5 POS 1 TP 24					
EN. INTR. W	4 POS 1					
TRM. DONE W	6 POS 2 TP 3					
TRM. DONE STATUS W	11 POS 3 TP 12					
TSZ	6 POS 2					
SITZ W	14 POS 3 TP 6					
WRITE MODE W	6 POS 2 TP 2					
TERMINATE TRANSMIT	6 POS 2 TP 9					
EMAR RDY	7 POS 2 TP 18					
TSZT REQUEST	7 POS 2					
REQUEST	7 POS 2 TP 19					
ACK	14 POS 3 TP 7					
LAST CHAR OUT	7 POS 2 TP 7					
CLOCK OUT R	2 POS 2 TP 5					
SEL R	4 POS 2 TP 7					
WRITE DATA R	5 POS 2 TP 23					
EN. INTR. R	4 POS 1					
TRM. DONE R	6 POS 2 TP 5					
TRM. DONE STATUS R	10 POS 3 TP 11					
TSZ	6 POS 2					
SITZ R	14 POS 3 TP 9					
WRITE MODE R	6 POS 2 TP 4					

CAR
 FPA 100
 Dist No
 A12470

WRITE TIMING (READ & WRITE CHANNEL)

TC 1

A/S REGNECENTRALEN		Designed by <i>WH</i>	Drawn by <i>J/S - 76</i>	Design Check	Replaces Drawg. No.	due to ECN	Replaced by Drawg. No.
--------------------	--	-----------------------	--------------------------	--------------	---------------------	------------	------------------------



CLOCK IN	3 POS. 1 TP 6
WRITE DATA N	5 POS. 1 TP 24
WRITE MODE W	6 POS. 2 TP 2
SI	6 POS. 2
SET WRITE MODE N	7 POS. 2
CHAR RDY	7 POS. 2 TP 18
SET REQUEST	7 POS. 2
TRM DONE N	6 POS. 2 TP 3
SEG W	4 POS. 1 TP 8
ENABLE WTR W	4 POS. 1
TRM DONE STATUS W	4 POS. 3 TP 2
SCTR N	4 POS. 3 TP 6
TRER ACK IN	7 POS. 2
TERMINATE TRANSMIT	6 POS. 2 TP 9
LAST CHAR. OUT	7 POS. 2 TP 7
TRM BLOCK END W	6 POS. 2 TP 29
REQUEST	7 POS. 2 TP 19

Unit
FAR 100
Drawn by
A12647

WRITE TIMING
(Write of 4 characters)

TC 2

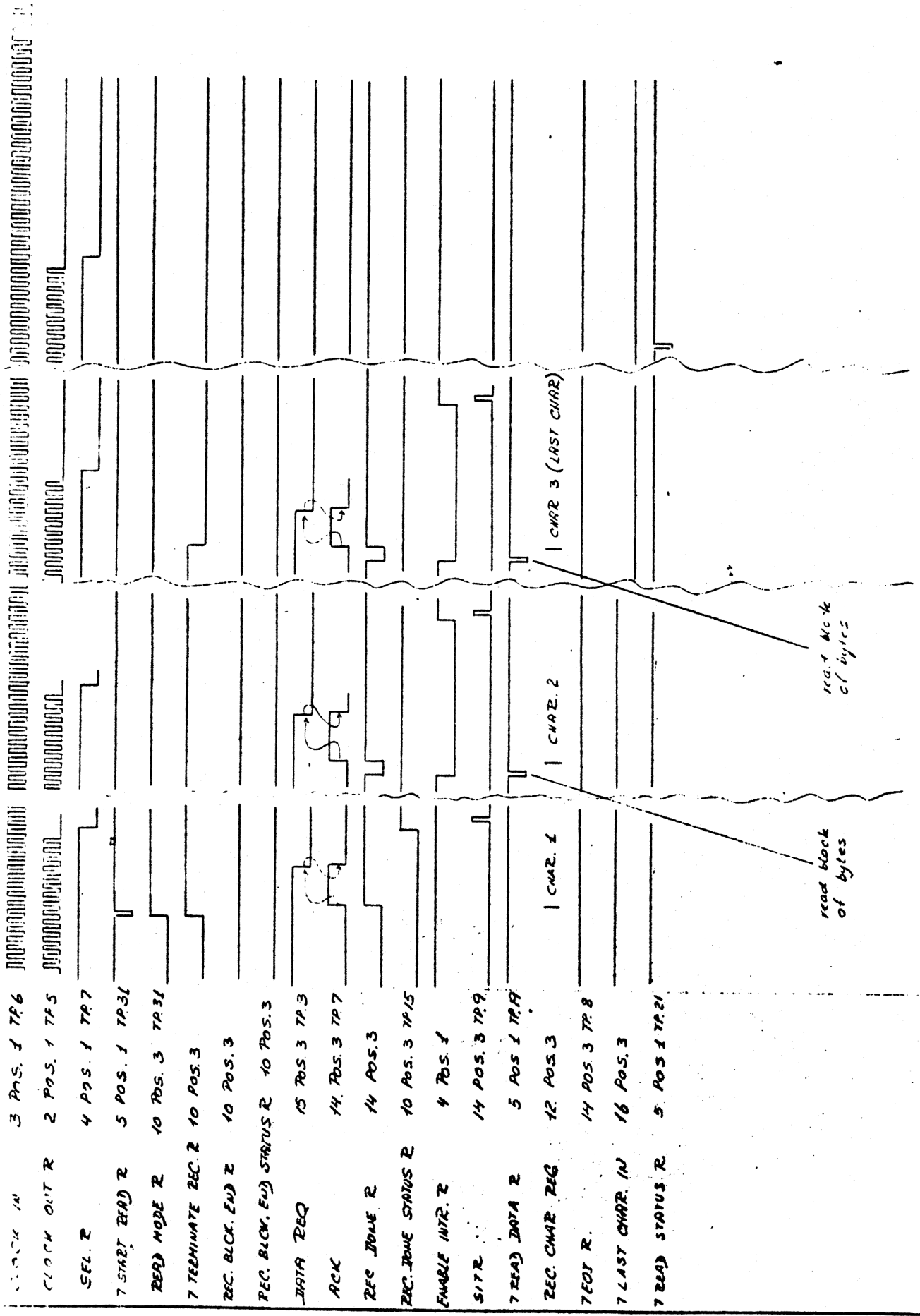
Unit	Designed by	Drawn by	Design Check	Replicates Dwg. No.	due to ECN	Replicated by Dwg. No.
A/S REGNECENTRALEM	18/5	76				
CLOCK IN	3 POS 1 TP6					
CLOCK OUT R	2 POS 1 TP5					
SEL R	4 POS 1 TP7					
7 START READ R	5 POS 1 TP3					
READ MODE R	10 POS 3 TP3					
7 TERMINATE REC. R.	10 POS 3					
REC. BLOCK END R	10 POS 3					
REC. BLOCK END STATUS R	10 POS 3					
DATA REC	15 POS 3 TP3					
ACK	14 POS 3 TP7					
REC. TONE R	14 POS 3					
REC. TONE STATUS R	10 POS 3 TP5					
ENABLE INTR R	4 POS 1					
SITR R	14 POS 3 TP9					
7 READ DATA R	5 POS 1 TP19					
REC. CHAR. REC. R	12 POS 3					
TEOI R	14 POS 3 TP8					

Unit
FPA 100
Dwg. No.
A11649

READ TIMING
(Read of 2 characters)

TC 3

7-26 UN



FPA 100
A 12729

READ TIMING
(Read of 2 char., however there are 3 char. in the block received)

DBSL: 065

A/S REGNENCENTRALEN

12/12 - 75

P O		ITT Cannon, type DB - 25P				
P						
PIN	I*	T*	GEN. ADR	SIGNAL NAME	I*	P PIN
1				5 VOLT +		
2			POS 4	5 VOLT + sense		
3			(÷ 5V)	5 VOLT ÷		
4				5 VOLT +		
5			POS 3	5 VOLT + sense		
6			(+5V)	5 VOLT ÷		
7				5 VOLT +		
8			POS 2	5 VOLT + sense		
9			(+5V)	5 VOLT ÷		
10				5 VOLT +		
11			POS 1	5 VOLT + sense		
12			(+5V)	5 VOLT ÷		
13						
14				5 VOLT +		
15			POS 4	5 VOLT ÷ sense		
16			(÷ 5V)	5 VOLT ÷		
17				5 VOLT +		
18			POS 3	5 VOLT ÷ sense		
19			(+5V)	5 VOLT ÷		
20				5 VOLT +		
21			POS 2	5 VOLT ÷ sense		
22			(+5V)	5 VOLT ÷		
23				5 VOLT +		
24			POS 1	5 VOLT ÷ sense		
25			(+5V)	5 VOLT ÷		

I* : Interconnection.

T* : Twisted pairs.

Length of cable:

FPR 100

wg. No
A 24145

Pluglist

PO -P

DBSL: 062

A/S REGNENCENTRALEN

Designed by

Written by

Drawn by

Checked by

Approved by

Date of File

Department/Group No.

J1 ITT Cannon, type DEC - 95		
PIN	GEN. ADR	SIGNAL NAME
1		CLOCK IN A W
2		CLOCK IN B W
3		DATA IN A W
4		DATA IN B W
5		
6		CLOCK OUT A W
7		CLOCK OUT B W
8		DATA OUT A W
9		DATA OUT B W

Unit

EPA 100

Tag No

224140

Jacklist

J1

DBSL: 062

A/S REGNECENTRALEN

Designed by

Drawn by

Designation

Qty. Price

Material No.

Description

Quantity

J2 ITT Cannon, type DEC-95		
PIN	GEN. ADR	SIGNAL NAME
1		CLOCK IN A R
2		CLOCK IN B R
3		DATA IN A R
4		DATA IN B R
5		
6		CLOCK OUT A R
7		CLOCK OUT B R
8		DATA OUT A R
9		DATA OUT B R

Unit
FPA 100

Eng No
A 24147

J2

Jacklist

DBSL: 062

A'S REGNECENTRALEN

Designed by

Drawn by

Design Check

Refuses Dwg No

due to ERM

Revised Dwg No

J3 ITT Cannon type DEC - 95		
PIN	GEN. ADR	SIGNAL NAME
1		REMOTE AUTOLOAD A
2		REMOTE AUTOLOAD B
3		
4		
5		
6		
7		
8		
9		

Unit
EPA 100

Dwg No
A 24149

J3

Jacklist

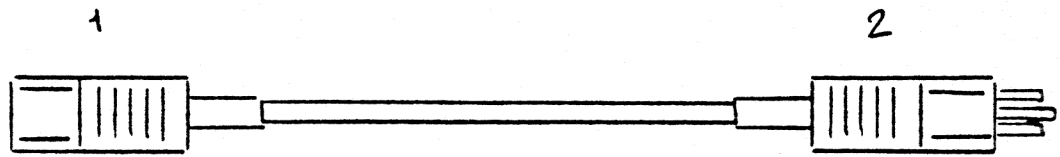
A/S REGNECENTRALEN		Designed by V/H	Drawn by	Dwg. Office Check	Design Check	Replaces Dwg. No.	due to ECN	Replaced by Dwg. No.					
J 4: GRANMAN 2 DB 52 S		11/12 - 75											
P 34, 22, 23, 24, 25: Berg snap housing 200H4 pin type:		11/12 - 75											
Unit		FPA 100		TRANSMITTER JACK		JACKLIST		J4					
Dwg. No.		11/12 - 75		Moei PV term, 46R35A									
J PIN	I	T	GEN. ADDR.	SIGNAL NAME	I	P PIN	J PIN	I	T	GEN. ADDR.	SIGNAL NAME	I	P PIN
1		0	2-81	DATA LINE 0 OUT A		-1	26		0	2-10	AUTOLOAD LINE OUT A		-1
2		0	2-83	+ 0 - B		-2	25		0	2-12	B		-2
3		0	2-85	- 1 + A		-3	24		0	2-14	CONN. LINE OUT A		-3
4		0	2-87	+ 1 + B		-4	23		0	2-16	B		-4
5		0	2-89	+ 2 - A		-5	22		0	2-18	LAST CH. LINE OUT A		-5
6		0	2-91	+ 2 - B		-6	21		0	2-20	B		-6
7		0	2-93	- 3 - A		-7	20		0	2-22	0 VOLT		-7
8		0	2-95	+ 3 - B		-8	19		0	2-24	0 VOLT		-8
9		0	2-82	+ 4 - A		+1							
10		0	2-84	- 4 - B		-2							
11		0	2-86	+ 5 + A		-3							
12		0	2-88	+ 5 - B		-4							
13		0	2-90	- 6 - A		-5							
14		0	2-92	+ 6 - B		-6							
15		0	2-94	+ 7 - A		-7							
16		0	2-96	+ 7 - B		-8							
17		0	2-97	PARITY LINE OUT A		-1							
35		0	2-11	+ B		-2							
34		0	2-13	RESET LINE OUT A		-3							
33		0	2-15	- B		-4							
30		0	2-17	DATA REQ LINE OUT A		-5							
29		0	2-19	- B		-6							
28		0	2-21	STATUS REQ LINE OUT A		-7							
27		0	2-23	- B		-8							
32		0		REQ ACK LINE IN A		-1							
31		0		- B		-2							

REV. 10-75

A/S REGNECENTRALEN
 Designed by VH 11/12 - 75
 Drawn by
 Dwg. Office Check
 Design Check
 Replaces Dwg. No.
 due to ECN
 Replaced by Dwg. No.

Unit		Dwg. No.		Unit		Dwg. No.		Unit		Dwg. No.		Unit		Dwg. No.	
FPH 100		100		100		100		100		100		100		100	
RECEIVER JACK		JACKLIST		JACKLIST		JACKLIST		JACKLIST		JACKLIST		JACKLIST		JACKLIST	
J5 : CANNON. #IB 52 S		P 21, 32, 33, 34, 35 : BFGC SHIP HOUSING 20044 pin type Male		P 21, 32, 33, 34, 35 : BFGC SHIP HOUSING 20044 pin type Male		P 21, 32, 33, 34, 35 : BFGC SHIP HOUSING 20044 pin type Male		P 21, 32, 33, 34, 35 : BFGC SHIP HOUSING 20044 pin type Male		P 21, 32, 33, 34, 35 : BFGC SHIP HOUSING 20044 pin type Male		P 21, 32, 33, 34, 35 : BFGC SHIP HOUSING 20044 pin type Male		P 21, 32, 33, 34, 35 : BFGC SHIP HOUSING 20044 pin type Male	
J	PIN	I	T	GEN. ADDR.	SIGNAL NAME	I	P	J	PIN	I	T	GEN. ADDR.	SIGNAL NAME	I	P
	1		Ø		DATA LINE 0 IN A		34-1		26		Ø		AUTOLORD LINE IN A		33-1
	2		Ø		- 0 - B		34-2		25		Ø		- B		33-2
	3		Ø		- 1 - A		34-3		24		Ø		CONN. LINE IN A		33-3
	4		Ø		- 1 - B		34-4		23		Ø		- B		33-4
	5		Ø		- 2 - A		34-5		22		Ø		LAST CH. LINE IN A		33-5
	6		Ø		- 2 - B		34-6		21		Ø		- B		33-6
	7		Ø		- 3 + A		34-7		20		Ø		0 VOLT		33-7
	8		Ø		- 3 - B		34-8		19		Ø		0 VOLT		33-8
	9		Ø		- 4 - A		35-1								
	10		Ø		- 4 - B		35-2								
	11		Ø		- 5 + A		35-3								
	12		Ø		- 5 - B		35-4								
	13		Ø		- 6 - A		35-5								
	14		Ø		- 6 - B		35-6								
	15		Ø		- 7 - A		35-7								
	16		Ø		- 7 + B		35-8								
			Ø		PARITY LINE IN A		32-1								
			Ø		- B		32-2								
			Ø		RESET LINE IN A		32-3								
			Ø		- B		32-4								
			Ø		DATA REQ LINE IN A		32-5								
			Ø		- B		32-6								
			Ø		STATUS REQ LINE IN A		32-7								
			Ø		- B		32-8								
			Ø	2-6	REQ ACK LINE OUT A		21-1								
			Ø	2-8	- B		21-2								

J5



1stk Kabel stik hun 4010 sort

0133-13-014

1stk Kabel stik han 6003 grå

0135-13-016

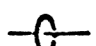
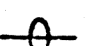
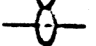
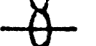

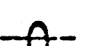
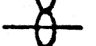
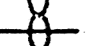
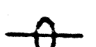
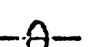
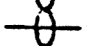

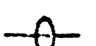
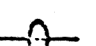

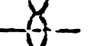
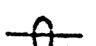
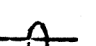
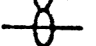
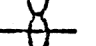
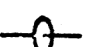

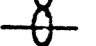
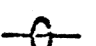
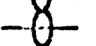
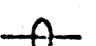
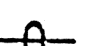
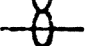
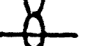
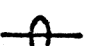
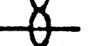
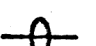
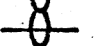
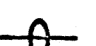
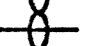
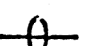

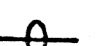
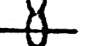
2m kabel 3x0,75mm²

1		2	
L	—————	brun	L
N	—————	blå	N
⊥	—————	gul / grøn	⊥

CBL 065

Connector I : DP 52 P , shell cover DB 246503 , screw lock D20710.
 Connector II : DP 52 P , -" - -" - -" - -" -
 Cable : HKP - S - K, 21 x 2 x 0,14mm² w. shield
 Length : 12m

JEMi

I PIN	WIRE	II PIN	I PIN	WIRE	II PIN
1	 white	1	26	 grey black	26
2	 grey	2	25	 blue black	25
3	 white black	3	24	 blue white	24
4	 grey blue	4	23	 blue orange	23
5	 white orange	5	22	 blue green	22
6	 green orange	6	21	 blue brown	21
7	 brown orange	7	20	 black green	20
8	 grey orange	8	19	 black blue	19
9	 green white	9	18	 black orange	18
10	 green brown	10	36	 shield	36
11	 grey green	11		 shield	
12	 white brown	12			
13	 grey green	13			
14	 white brown	14			
15	 grey brown	15	51	 shield	51
16	 black brown	16	52	 shield	52
17	 black brown	17			
35	 grey green	35			
34	 white brown	34			
33	 grey brown	33			
32	 black brown	32			
31	 black brown	31			
30	 black brown	30			
29	 black brown	29			
28	 black brown	28			
27	 black brown	27			

16.1.76

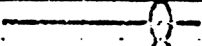
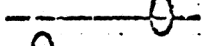
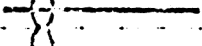
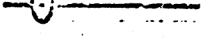
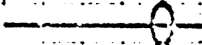
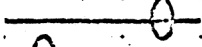
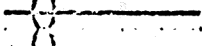
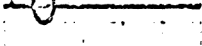
RCSL 44-RT 415

CBL 259

CONNECTOR I : Canon Plug DE - 9 P

CONNECTOR II : Canon Plug DE - 9 P

CABLE : 6 x 2 x 0,25 mm² Dalwyler 2783

I PIN	WIRE	II PIN
1	 blå	1
2	 hvid	2
3	 gul	3
4	 hvid	4
5		5
6	 brun	6
7	 hvid	7
8	 grå	8
9	 hvid	9
10		10
11		11
12		12
13		13
14		14
15		15
16		16
17		17
18		18
19		19
20		20
21		21
22		22
23		23
24		24
25		25

730907 KNEH 730910 IGH

Kabeltype 410 / m
CBL 410

A22102

CONNECTOR I : ELCO 60 - 6501 - 33 - 18

CONNECTOR II : SFO 40 EURO stik los part

CABLE : 3 x 0,75 netledning

I
PIN

WIRE

II
PIN

1
2
3

brun
gul/grøn
blå

1
2
3

730419 VH 730709 GH 730816 JSA

Prepared by Dwg No.

Due to ECh

Replaces Dwg No.

Design Check

Dwg. Office Check

Checked by

Designed by

Approved by

CONNECTOR I : Canon Jack type DB - 25 S

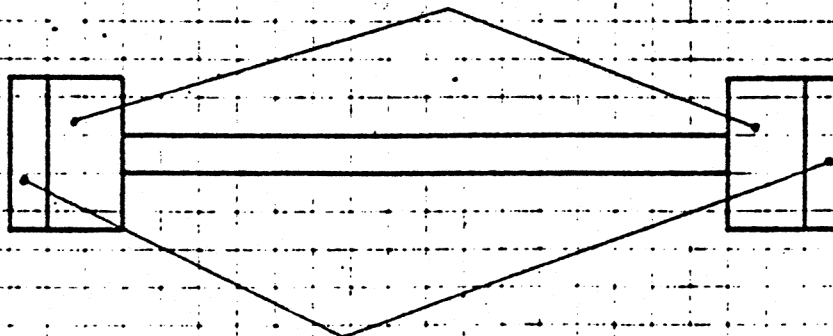
CONNECTOR II : Canon Jack type DB - 25 S

CABLE : 24 x 0,40 mm² Datwyler 1852 - F

I. PIN	WIRE	II. PIN
1	gul	1
2	rød	2
3	grå	3
4	hvid	4
5	blå	5
6	brun	6
7	grøn	7
8	sort	8
9	violet	9
10	orange	10
11	beige	11
12	beige	12
13		13
14	rosa	14
15	rosa	15
16	rød	16
17	rød	17
18	grå	18
19	hvid	19
20	blå	20
21	brun	21
22	grøn	22
23	sort	23
24	violet	24
25	orange	25

730907 KNEH 1750918 AMS

SOURIAN 8630-22 Låseskruer : CANNON D20419-21



DBC 25S

Kabeltype 439
CBL 439

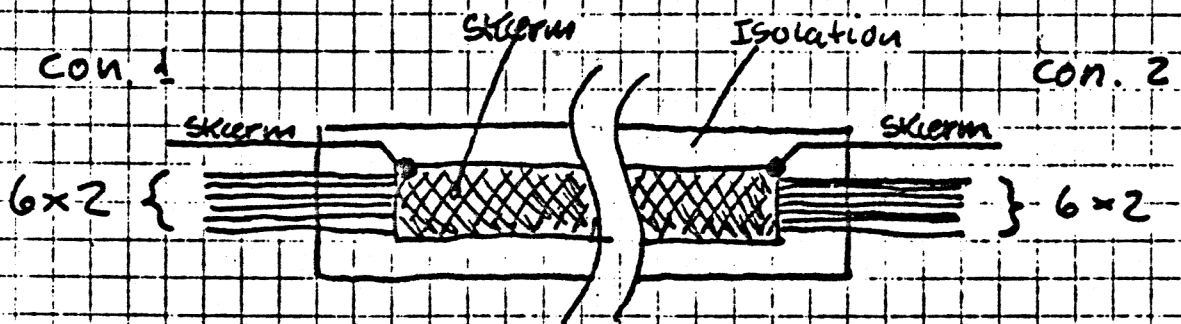
m

A22335

PS : 410 m/skerm

CONNECTOR 1 : Canon Plug DEC-9P
 CONNECTOR 2 : CANON PLUG DEC-9P
 CABLE : 6x2 x 0.25 CY Coferro

1. Pin	WIRE	2. Pin
1	Blå	1
2	Rød	2
3	Rosa	3
4	Grøn	4
5	screen	5
6	Grøn	6
7	Gul	7
8	Brun	8
9	Hvid	9



Isolation trækkes tilbage, og skærmen afkortes med ca 30 mm.

Der loddet en 0.25 ledning i skærmen.

Unit

Kabeltype 466 / cm
 CBL 466.

Dwg. No.

A 23869

Hc

I PIN	WIRE	II PIN
A1	HVID	1
A2	GRÅ	2
A3	HVID	3
A4	SORT	4
A5	GRÅ	5
A6	BLÅ	6
A7	HVID	7
B7	ORANGE	8
B6	GRØN	9
B5	ORANGE	10
B4	BRUN	11
B3	ORANGE	12
B2	GRÅ	13
B1	ORANGE	14
C1	GRØN	15
C2	HVID	16
C3	GRØN	17
C4	BRUN	35
C5	GRÅ	34
C6	GRØN	33
C7	HVID	32
D7	BRUN	31
D6	GRÅ	30
D5	BRUN	29
D4	SORT	28
D3	BRUN	27
D2	GRÅ	26
E1	SORT	25
E2	BLÅ	24
E3	HVID	23
E5	BLÅ	22
E6	ORANGE	21
E7	BLÅ	37
F7	GRØN	38
F2	BLÅ	39
F1	BRUN	40
H1	SORT	41
J1	GRØN	42
K6	SORT/BLÅ	20
K5	SORT/ORANGE	19
P2	SHIELD	51
P1	SHIELD	52

CONNECTOR I: ELCO PLUG 8026 - 075 - 000 - 701
 CONNECTOR II: CANNON DB 52P
 CABLE TYPE: PARANOET 21 x 2 x 0,14 mm² M. SHIELD
 LENGTH: 5m.



11.2.76
 29.3.76

RETURN LETTER

Title: Drawings for FPA 100

RCSL No.: 52-AA629

A/S Regnecentralen af 1979/RC Computer A/S maintains a continual effort to improve the quality and usefulness of its publications. To do this effectively we need user feedback, your critical evaluation of this manual.

Please comment on this manual's completeness, accuracy, organization, usability, and readability:

Do you find errors in this manual? If so, specify by page.

How can this manual be improved?

Other comments?

Name: _____ Title: _____

Company: _____

Address: _____


Date: _____

Thank you

..... Fold here

..... Do not tear - Fold here and staple

Affix
postage
here

 **REGNECENTRALEN**
af 1979

Information Department
Lautrupbjerg 1
DK-2750 Ballerup
Denmark