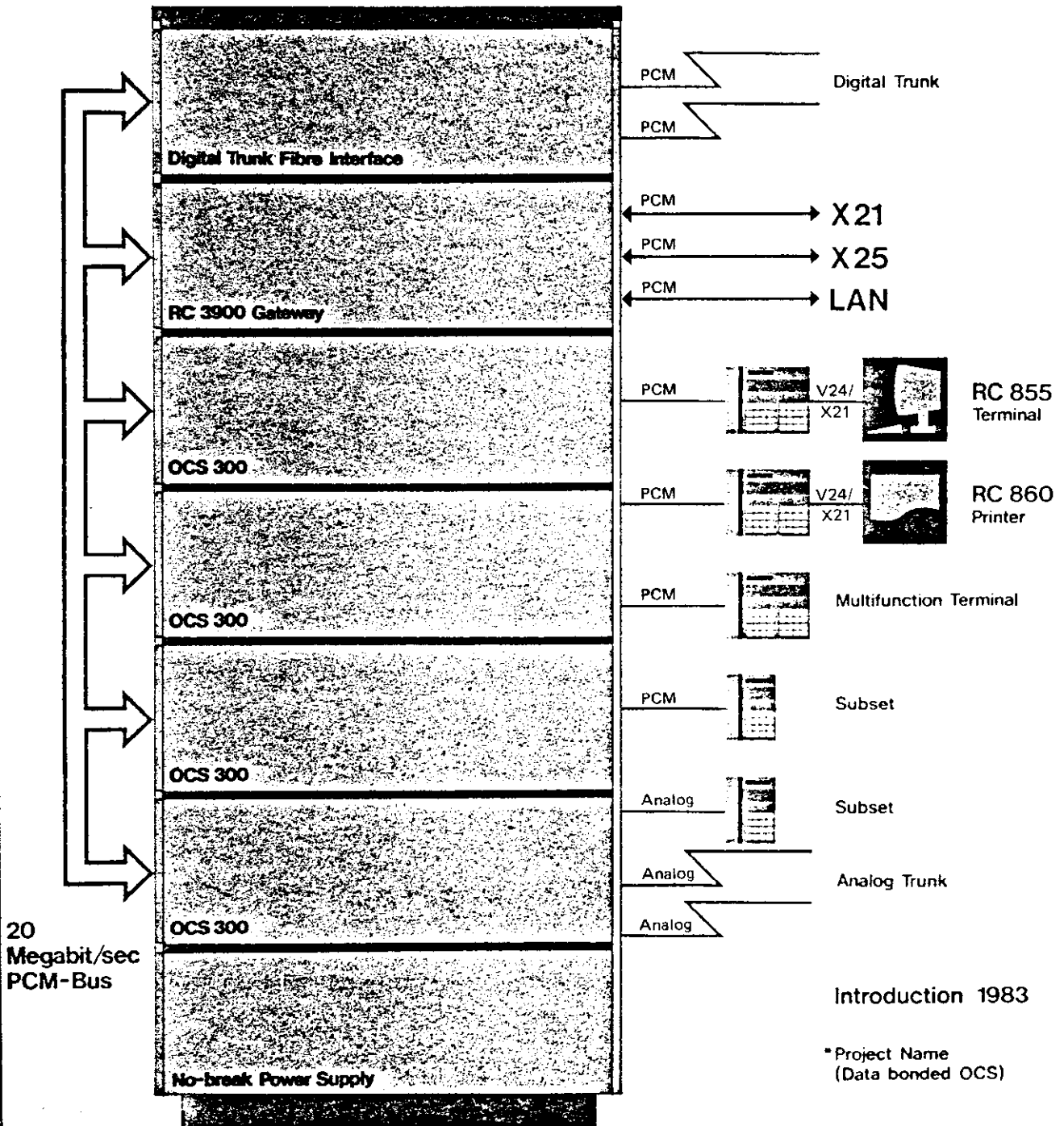


RC DATABOCS 2000*

The nucleus of today's and tomorrow's office -
handling your inhouse data and voice communication
and providing for both your gateway to the outside world



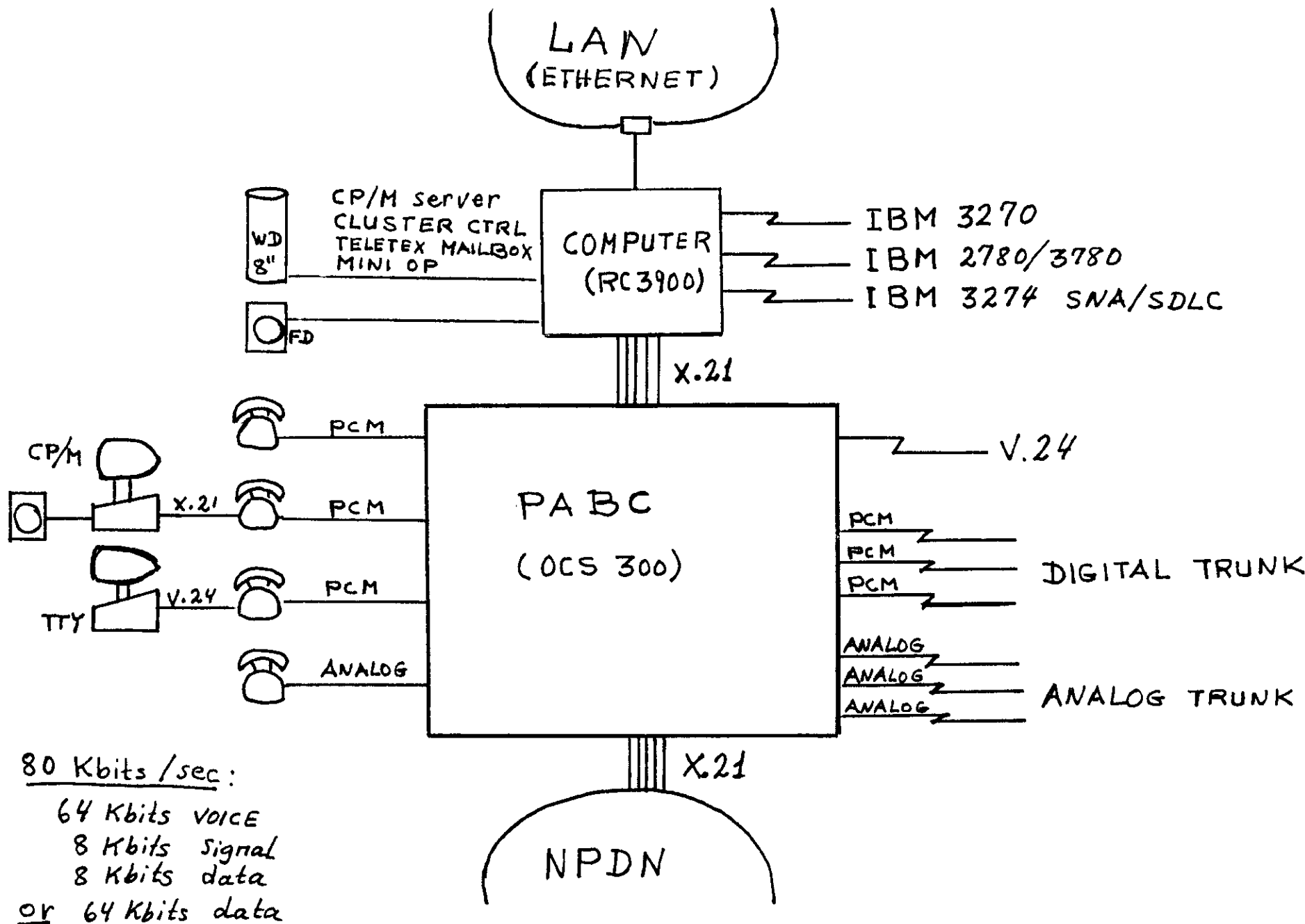
PABX section

- Ordinary PABX-features e.g.
 - Conference
 - Hotline
 - Follow me
 - etc.
- in total more than 100 facilities
- Remote Maintenance and Customer Data Administration
- PCM Subset Interface
- PCM Subset Interface including X21 and/or V24 Data Interface
- PCM Trunk Interface (1st order)
- Optic Link Interface

Communication Processing Section

- High Level Layered Protocol Interfaces
- Gateways
 - X21 Interface
 - X25 Interface
 - Communication to IBM Host (3270)
 - Local Area Networks
 - Teletex Mailbox
 - Intermediate Storage of Messages
- Electronic Mail
- Information Retrieval

Simultaneous multiaddressable Data+Voice on existing Telephone Cable Plant



80 Kbits/sec:
 64 Kbits VOICE
 8 Kbits Signal
 8 Kbits data
 or 64 Kbits data